



US00D463258S

(12) **United States Design Patent**
Scherer et al.

(10) **Patent No.:** **US D463,258 S**

(45) **Date of Patent:** **** Sep. 24, 2002**

(54) **CONNECTOR FOR MODULAR DISPLAY PANELS**

(75) **Inventors:** **Michael J. Scherer**, Cincinnati, OH (US); **David E. Hayes**, W. Harrison, IN (US); **Carl V. Sowers**, Loveland, OH (US); **David V. Yukon**, Springboro, OH (US)

(73) **Assignee:** **Downing Displays, Inc.**, Milford, OH (US)

(**) **Term:** **14 Years**

(21) **Appl. No.:** **29/131,851**

(22) **Filed:** **Oct. 30, 2000**

(51) **LOC (7) Cl.** **08-07**

(52) **U.S. Cl.** **D8/382**

(58) **Field of Search** D8/349, 350, 354, D8/355, 356, 382, 499; 40/605, 707, 710; 52/483.1; 248/224.8, 200, 205.1, 229.12, 229.25; 312/114, 140

(56) **References Cited**

U.S. PATENT DOCUMENTS

804,660 A	*	11/1905	Jaeger	312/140
2,023,260 A	*	12/1935	Beers et al.	312/140
3,640,039 A		2/1972	McKee et al.		
4,102,089 A		7/1978	Paisley		
4,434,900 A		3/1984	Cook		
4,496,263 A		1/1985	Laarhoven		
4,610,560 A		9/1986	Miller		
4,722,146 A		2/1988	Kemeny		
4,738,040 A	*	4/1988	Neuhold et al.	40/710

4,865,111 A		9/1989	Perutz		
4,953,338 A		9/1990	Wilson et al.		
5,007,222 A		4/1991	Raymond		
5,179,810 A		1/1993	Gename et al.		
D357,175 S	*	4/1995	Godfrey	D8/382
5,531,539 A		7/1996	Crawford		
5,546,720 A		8/1996	LaBruzza		

OTHER PUBLICATIONS

Three photographs of prior art connector for modular display panels.

* cited by examiner

Primary Examiner—Doris V. Coles

Assistant Examiner—Elizabeth A. Albert

(74) *Attorney, Agent, or Firm*—Wood Herron & Evans, LLP

(57) **CLAIM**

The ornamental design for a connector for modular display panels, as shown and described.

DESCRIPTION

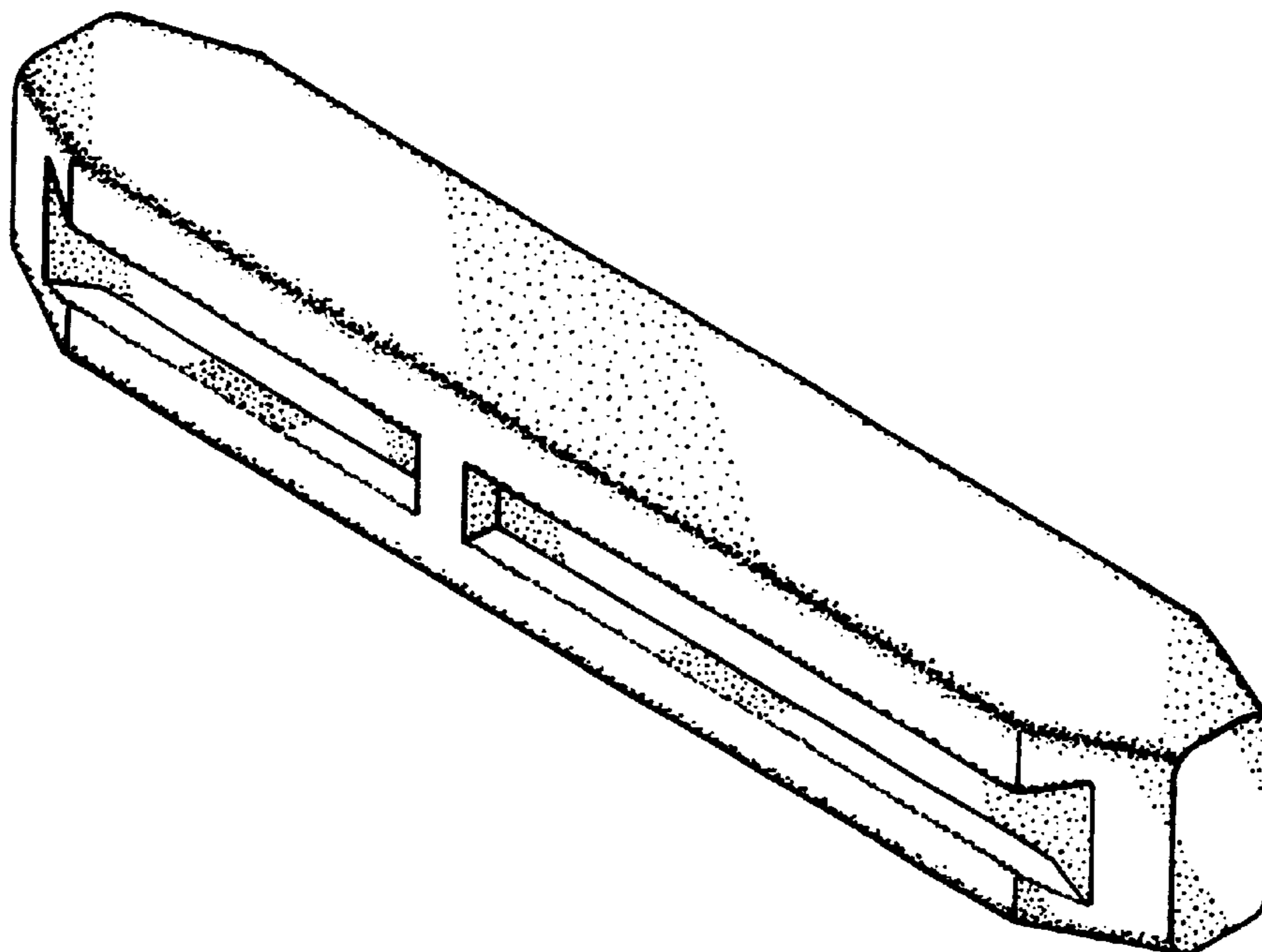
FIG. 1 is a perspective view of our new, original and ornamental design for a connector for modular display panels;

FIG. 2 is a left side view thereof, the right side being a mirror image thereof;

FIG. 3 is a top plan view thereof, the bottom view being a mirror image thereof; and,

FIG. 4 is a front view thereof, the rear view being a mirror image thereof.

1 Claim, 1 Drawing Sheet



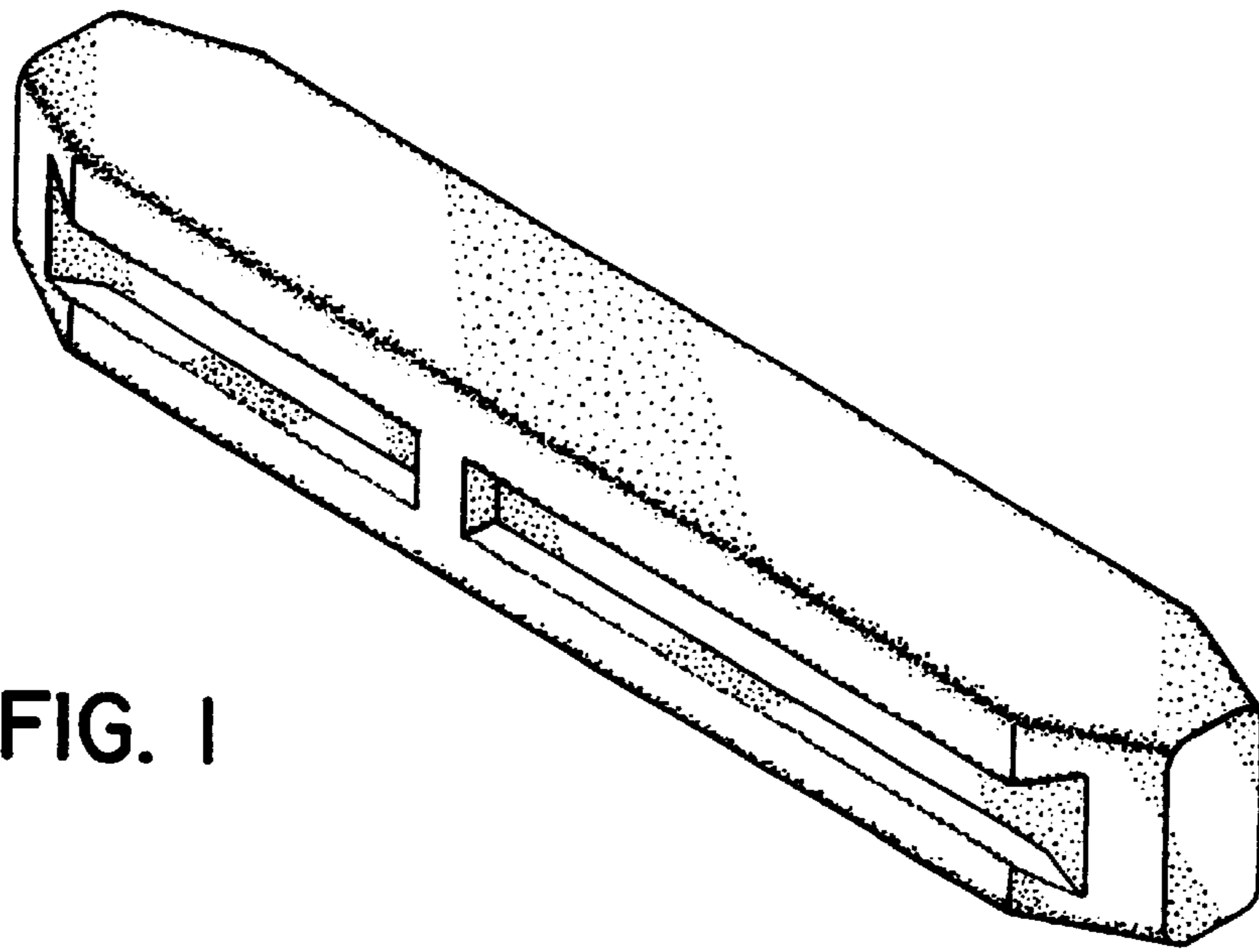


FIG. 1

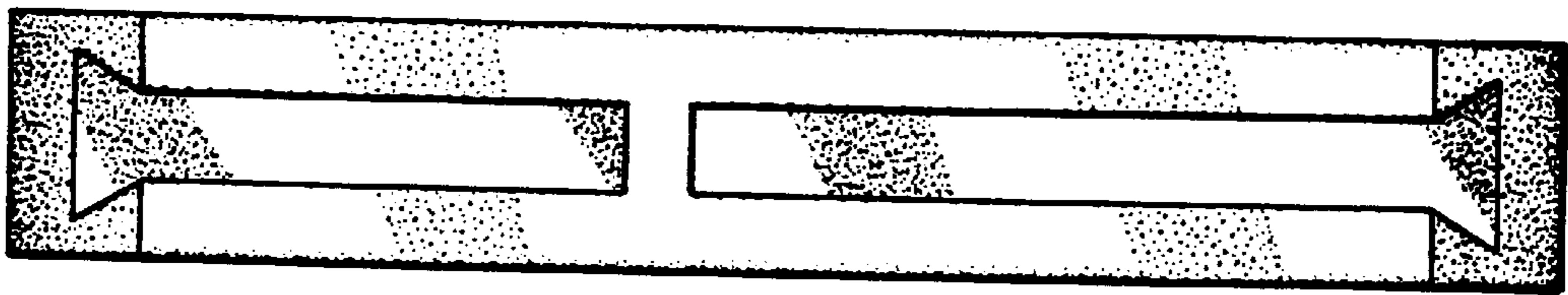


FIG. 2

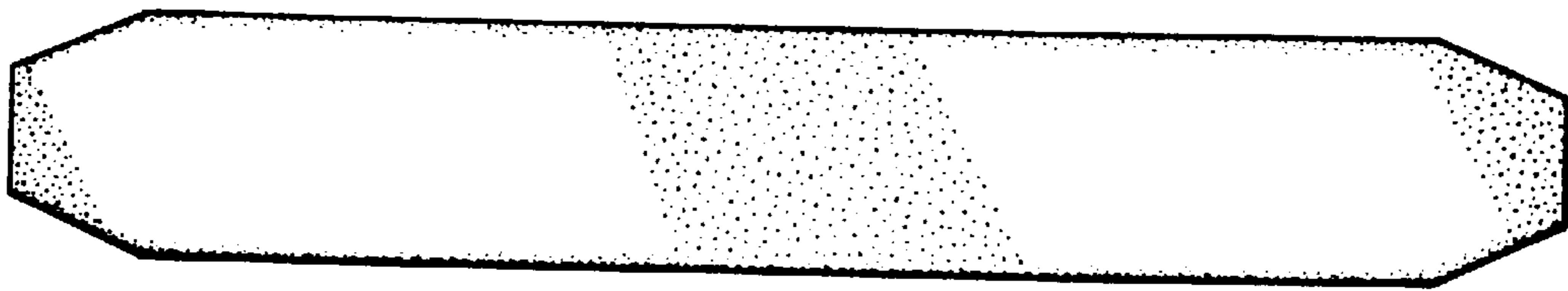


FIG. 3

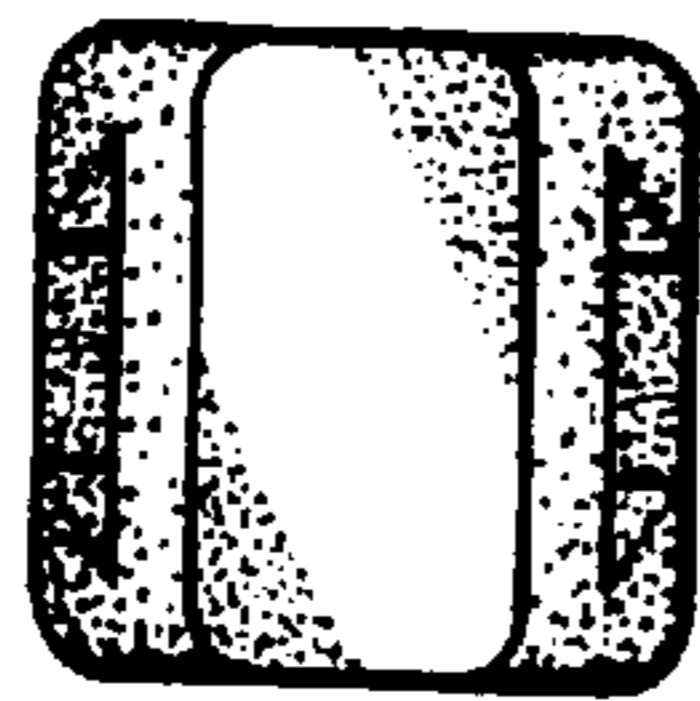


FIG. 4