

US00D463257S

(12) **United States Design Patent**
Stickel

(10) **Patent No.:** **US D463,257 S**

(45) **Date of Patent:** **** Sep. 24, 2002**

(54) **CASTOR WHEEL**

(75) Inventor: **Uwe Stickel**, Langenfeld (DE)

(73) Assignee: **Tente-Rollen GmbH & Co.**,
Wermelskirchen (DE)

(**) Term: **14 Years**

(21) Appl. No.: **29/128,748**

(22) Filed: **Aug. 30, 2000**

(30) **Foreign Application Priority Data**

Mar. 10, 2000 (DE) 400 02 446

(51) **LOC (7) Cl.** **08-05**

(52) **U.S. Cl.** **D8/375**

(58) **Field of Search** D8/375; D12/133;
16/44-47, 21, 25, 26, 16 R, 18 R; 301/5.23;
280/87.041, 87.051, 87.05; 244/109

(56) **References Cited**

U.S. PATENT DOCUMENTS

2,213,967	A	*	9/1940	Roche	14/33
2,394,825	A	*	2/1946	Trader	244/109
D200,462	S	*	3/1965	Teague et al.	D8/375
D313,342	S	*	1/1991	Screen	16/47
D409,900	S	*	5/1999	Simons et al.	D8/375

* cited by examiner

Primary Examiner—Pamela Burgess

(74) *Attorney, Agent, or Firm*—Martin A. Farber

(57) **CLAIM**

The ornamental design for a castor wheel, as shown and described.

DESCRIPTION

FIG. 1 is a front elevational view of a castor wheel showing my new design;
 FIG. 2 is a left side elevational view thereof;
 FIG. 3 is a rear elevational view thereof;
 FIG. 4 is a right side elevational view thereof;
 FIG. 5 is a top plan view thereof;
 FIG. 6 is a bottom plan view thereof;
 FIG. 7 is a front elevational view of a second embodiment of a castor wheel showing my new design;
 FIG. 8 is a left side elevational view thereof;
 FIG. 9 is a rear elevational view thereof;
 FIG. 10 is a right side elevational view thereof;
 FIG. 11 is a top plan view thereof;
 FIG. 12 is a bottom plan view thereof;
 FIG. 13 is a front elevational view of a third embodiment of a castor wheel showing my new design;
 FIG. 14 is a left side elevational view thereof;
 FIG. 15 is a rear elevational view thereof;
 FIG. 16 is a right side elevational view thereof;
 FIG. 17 is a top plan view thereof; and,
 FIG. 18 is a bottom plan view thereof.

The broken lines shown in the drawings are for illustrative purposes only and form no part of the claimed design.

1 Claim, 3 Drawing Sheets

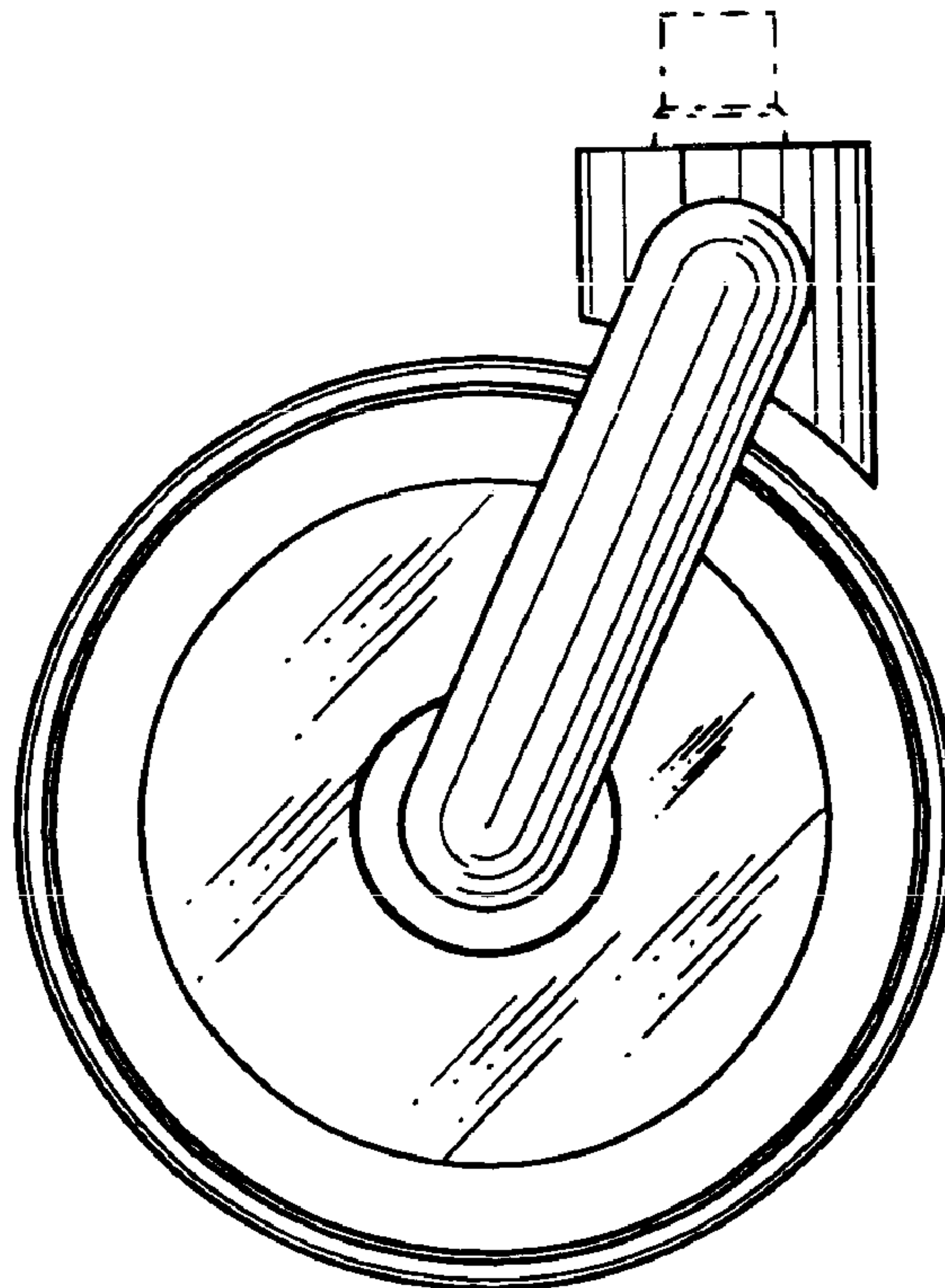


Fig. 6

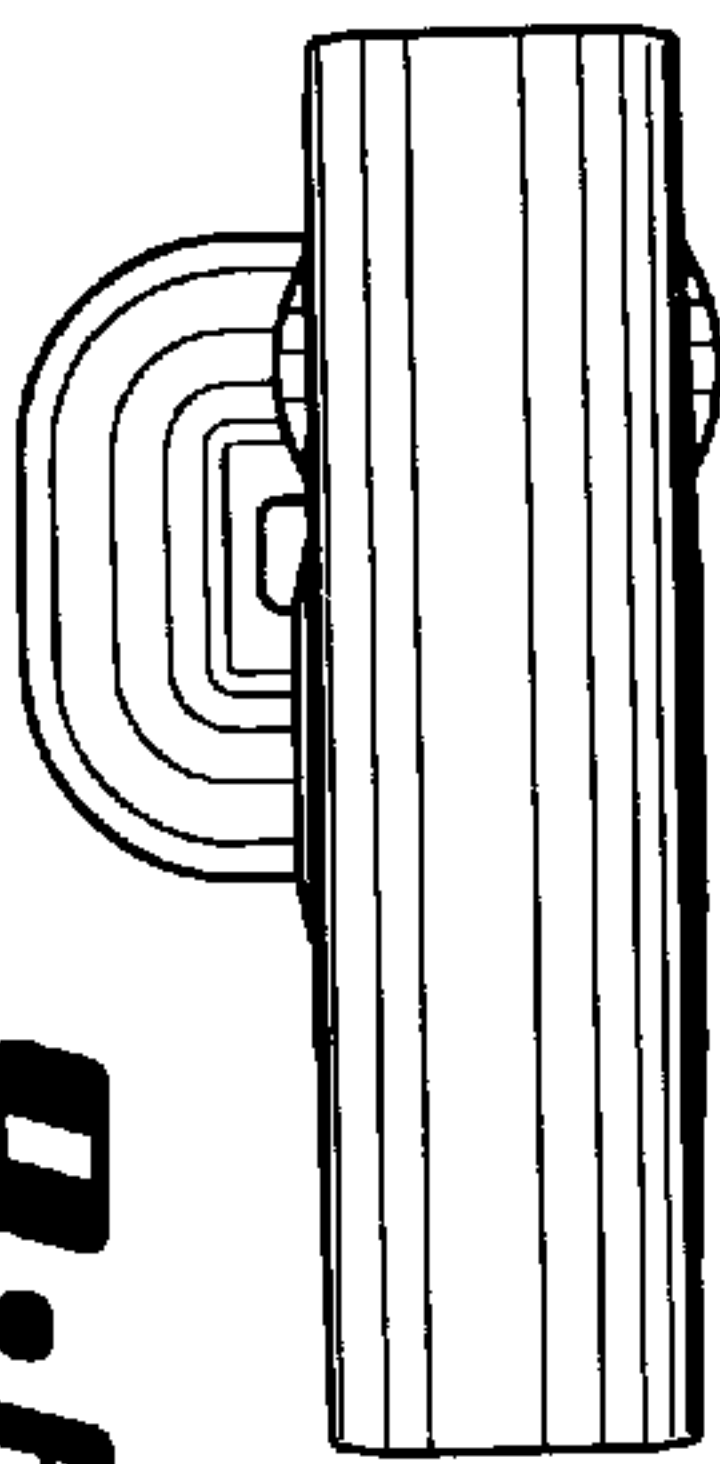


Fig. 1

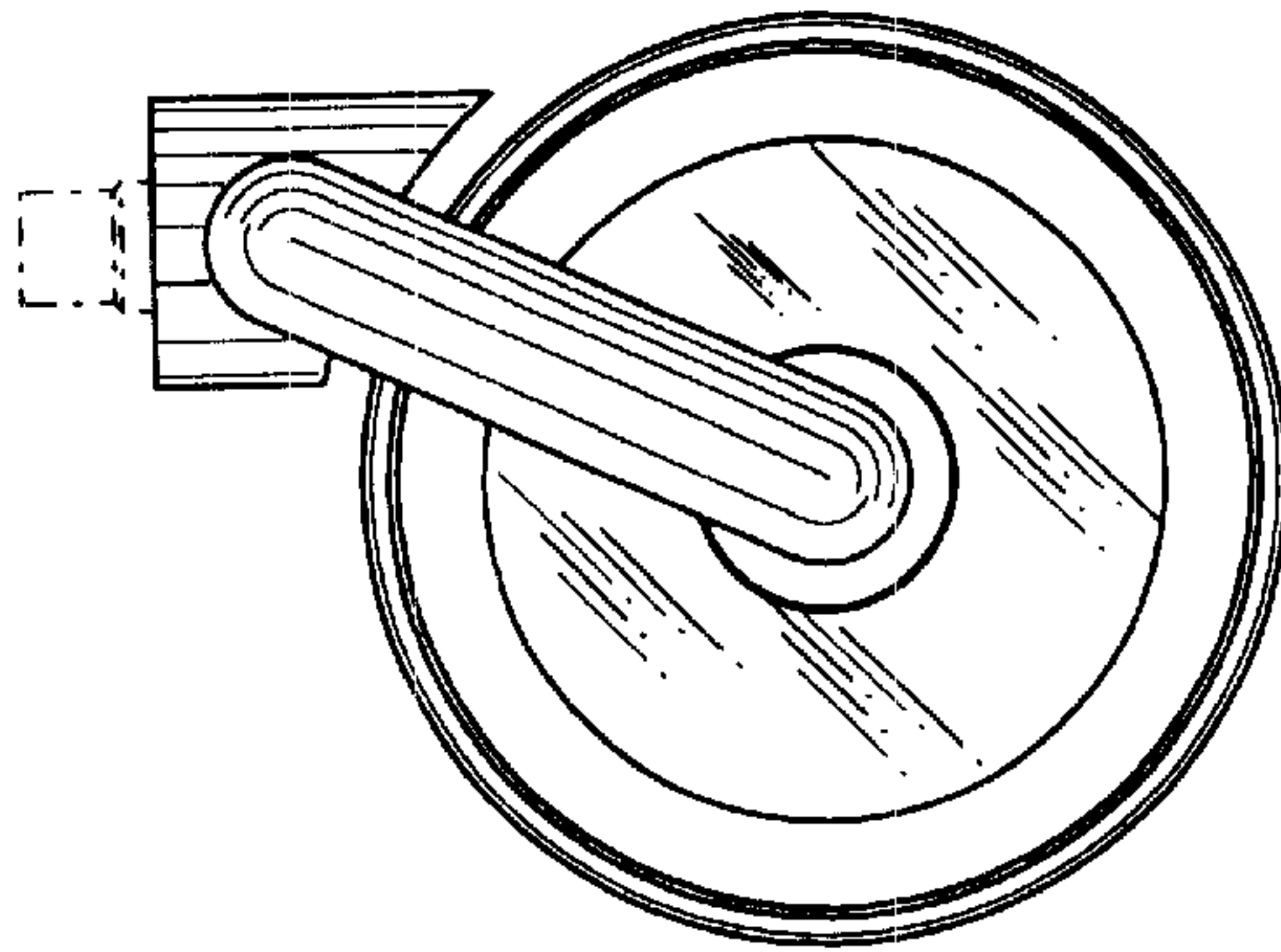


Fig. 5

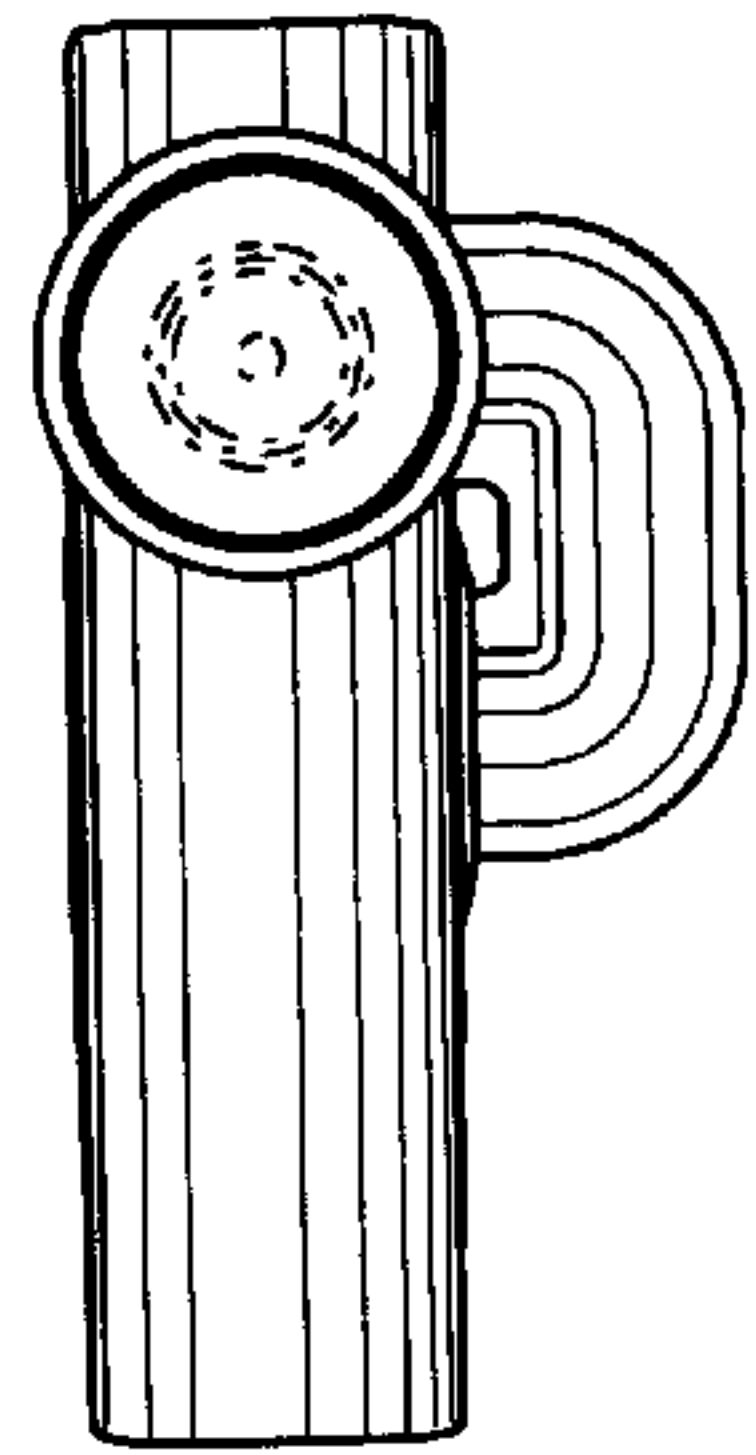


Fig. 4

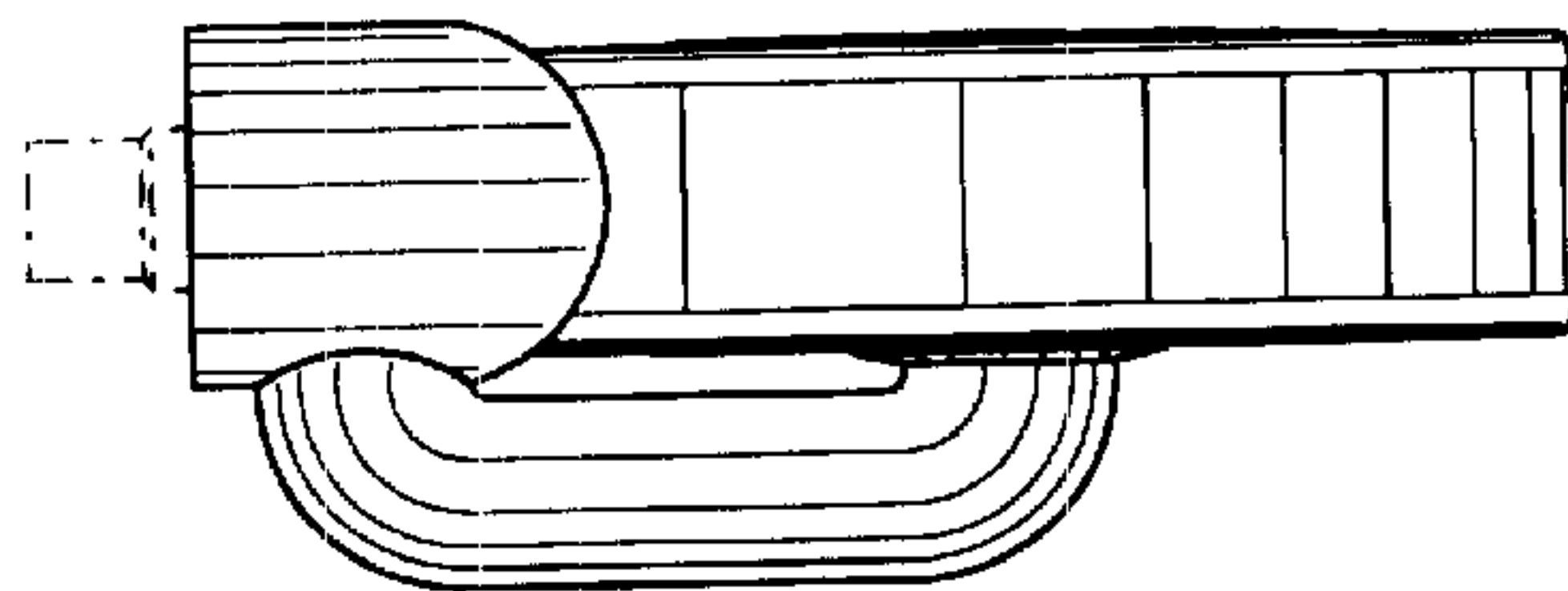


Fig. 2

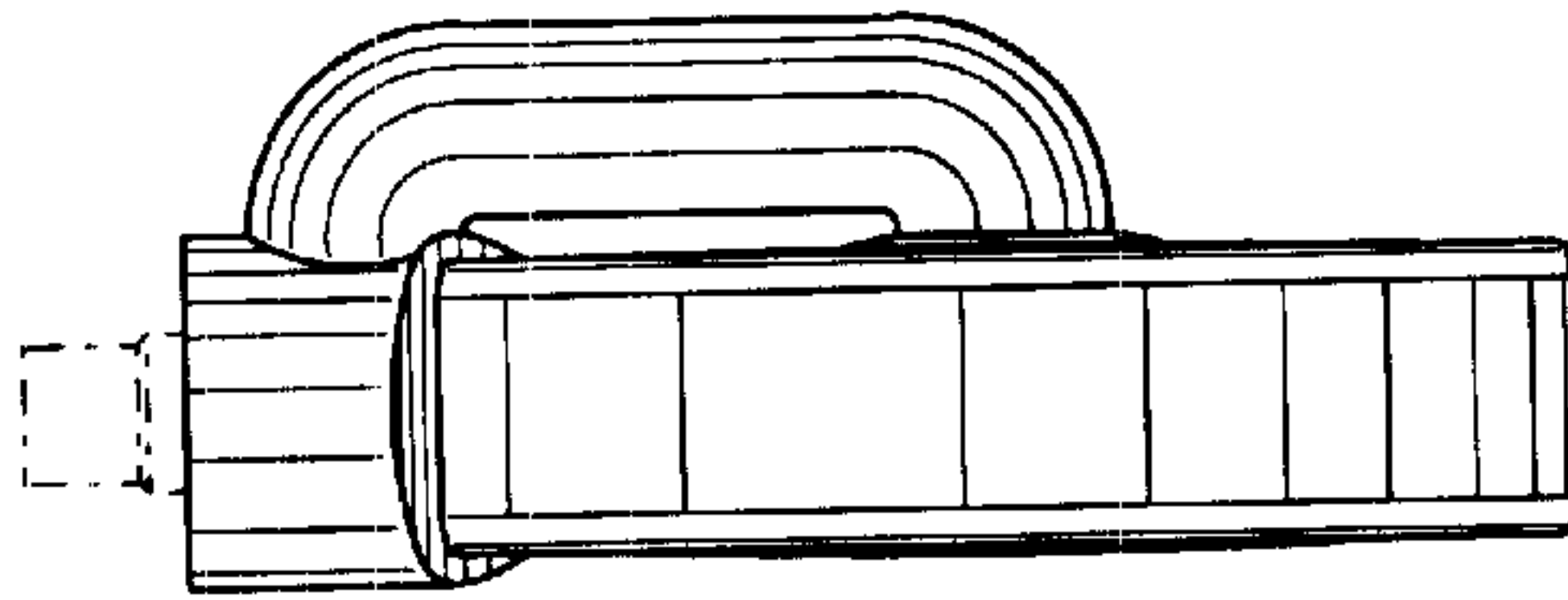


Fig. 3

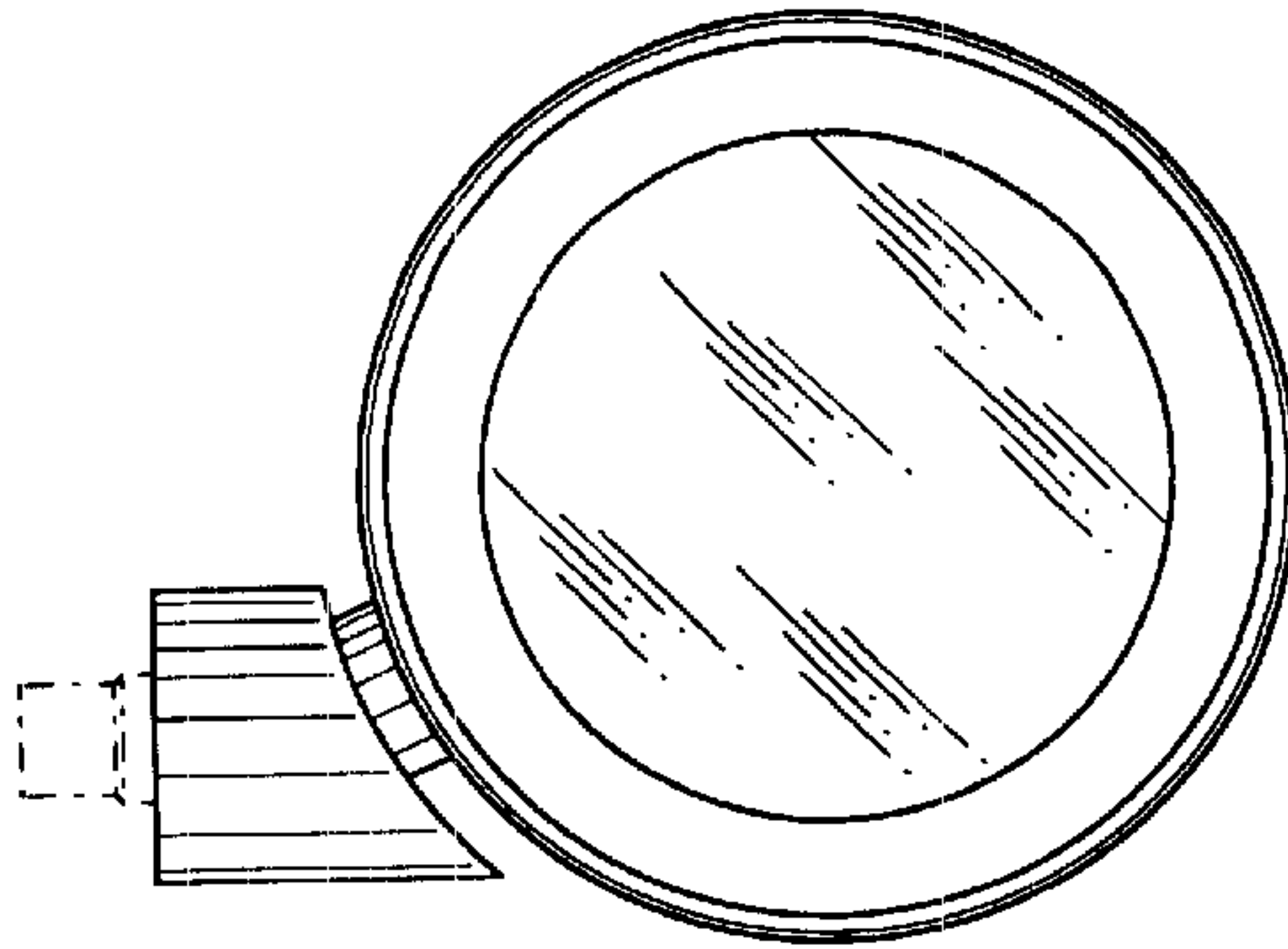


Fig. 9

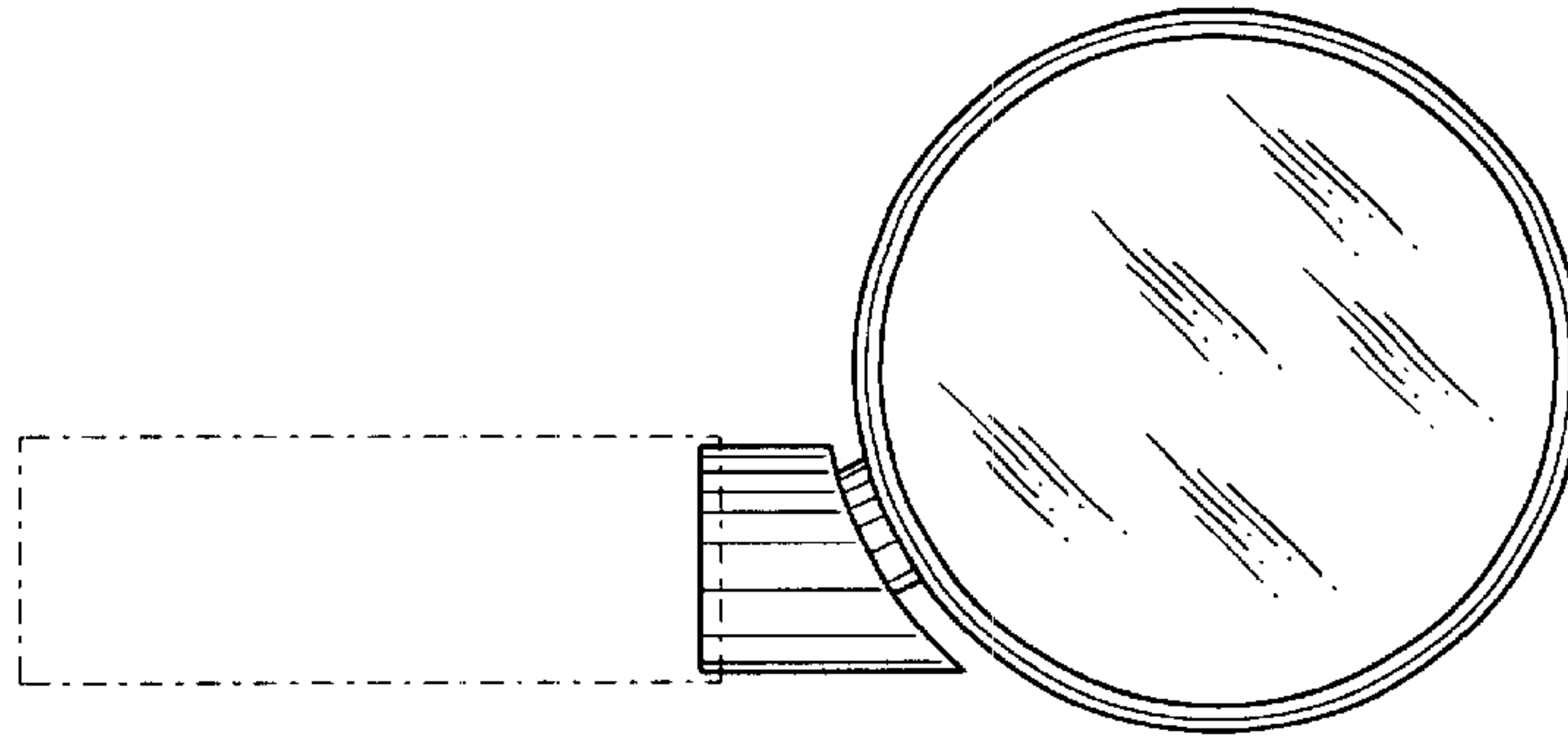


Fig. 8

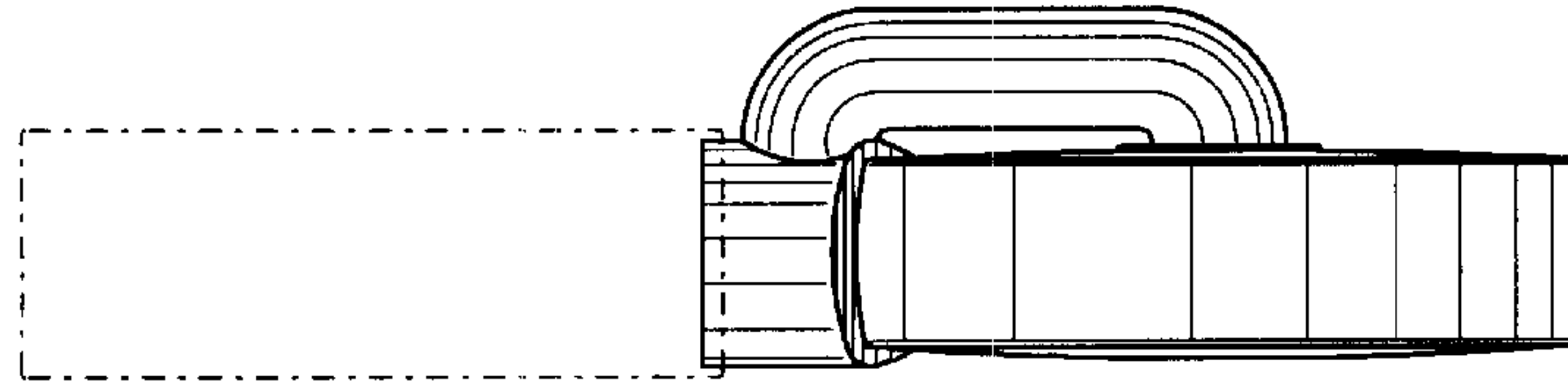


Fig. 12

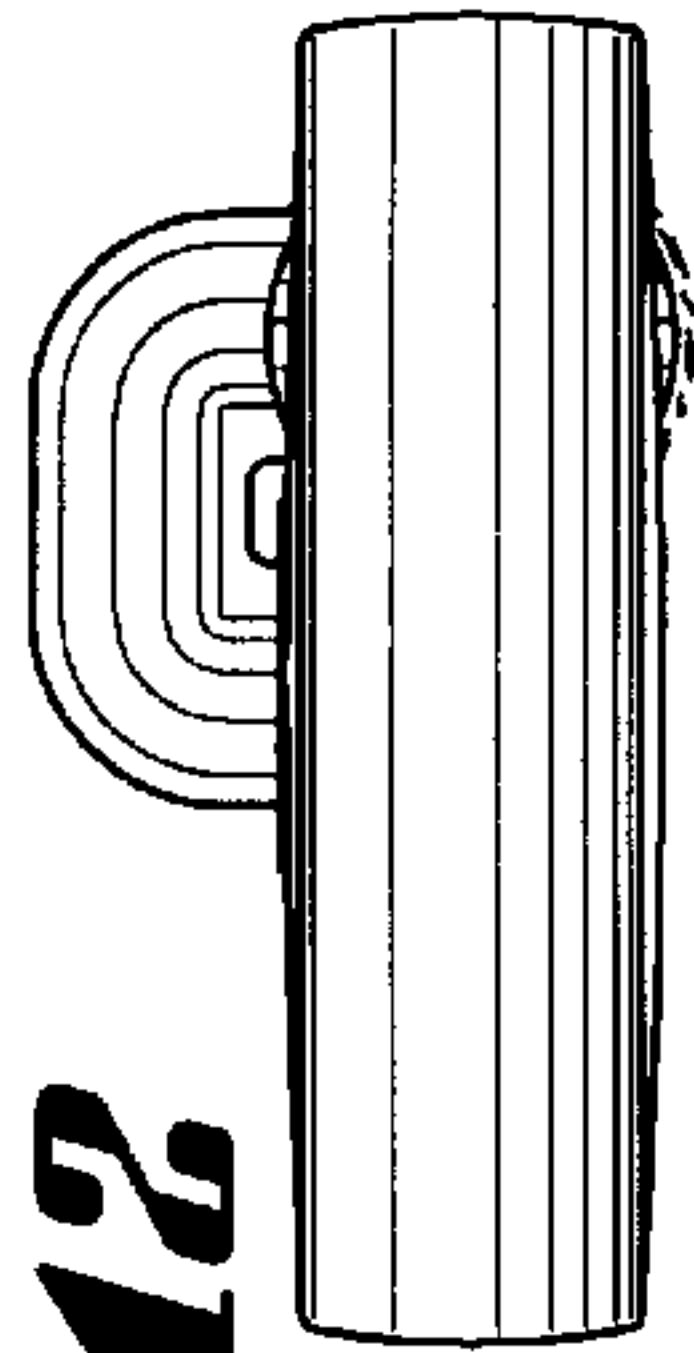


Fig. 7

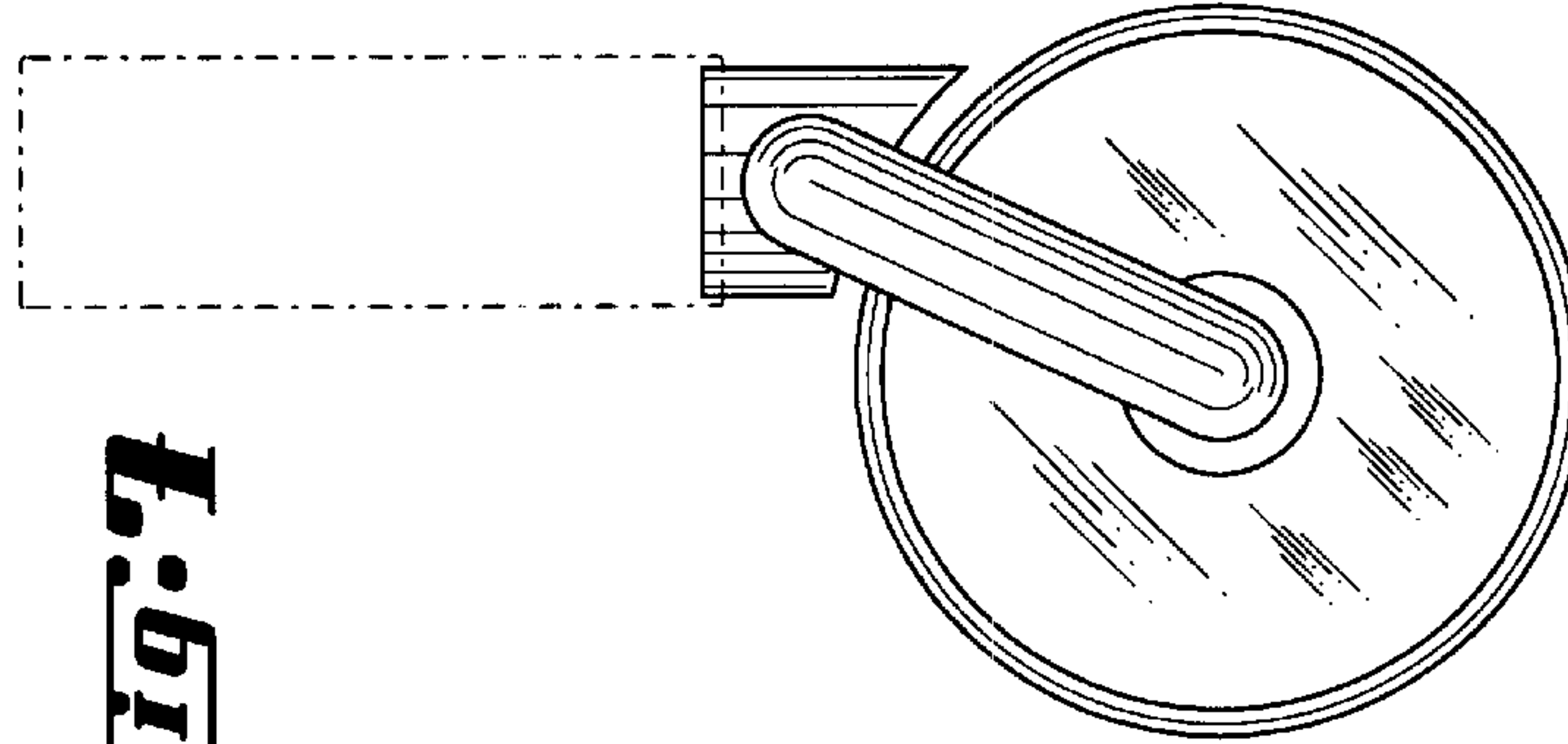


Fig. 10

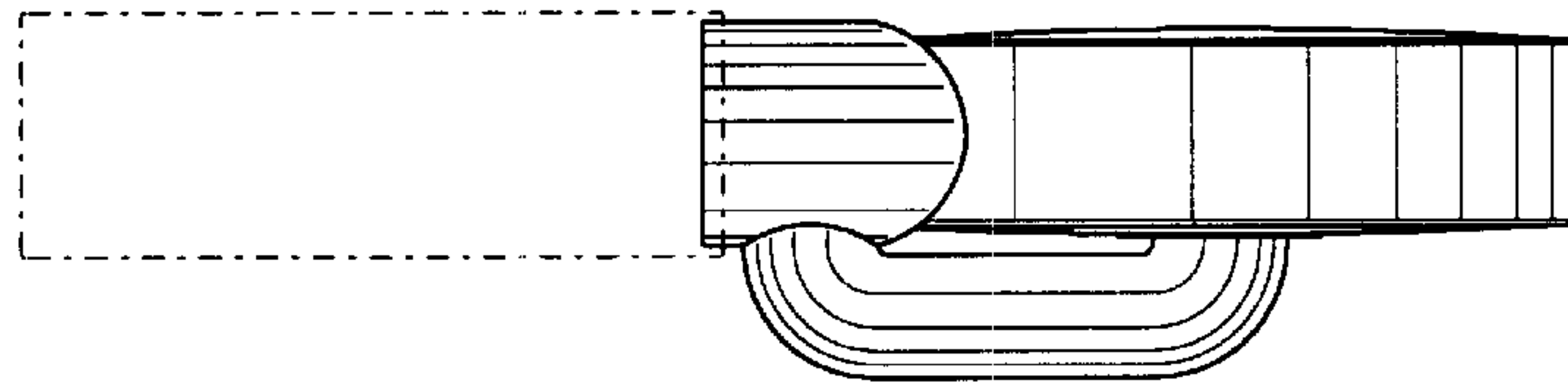


Fig. 11

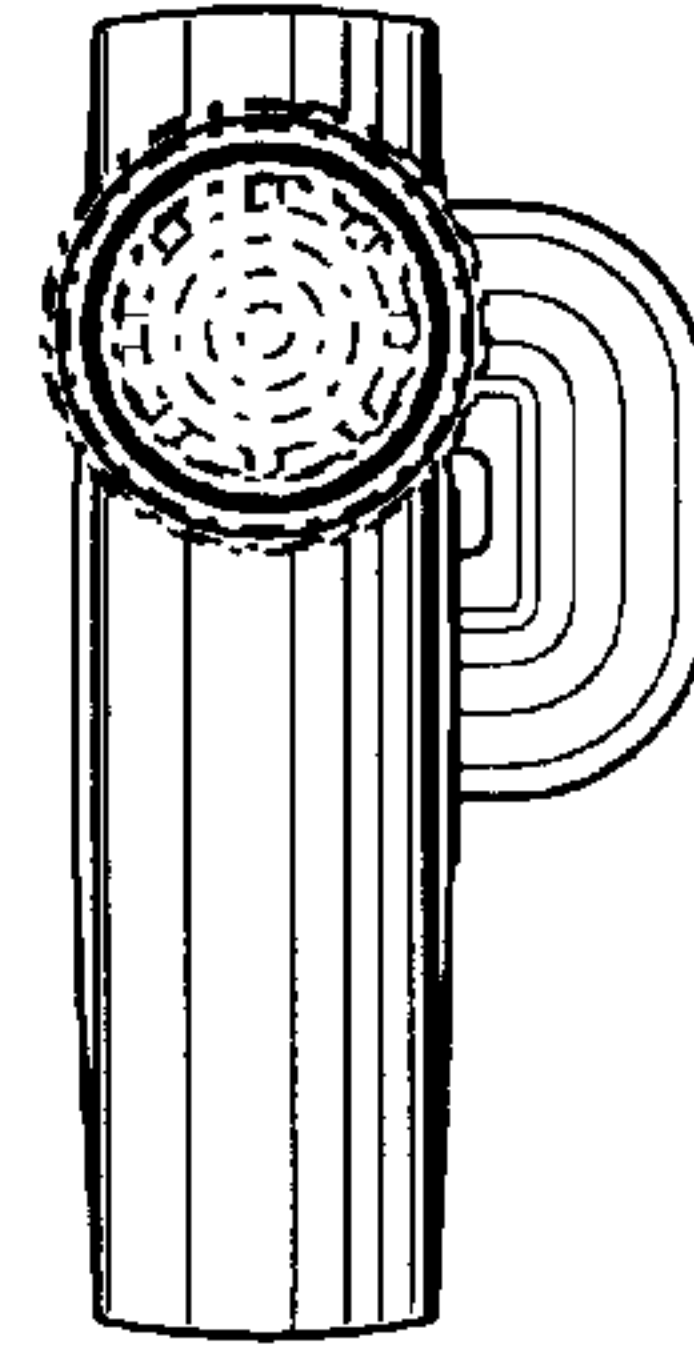


Fig. 1A

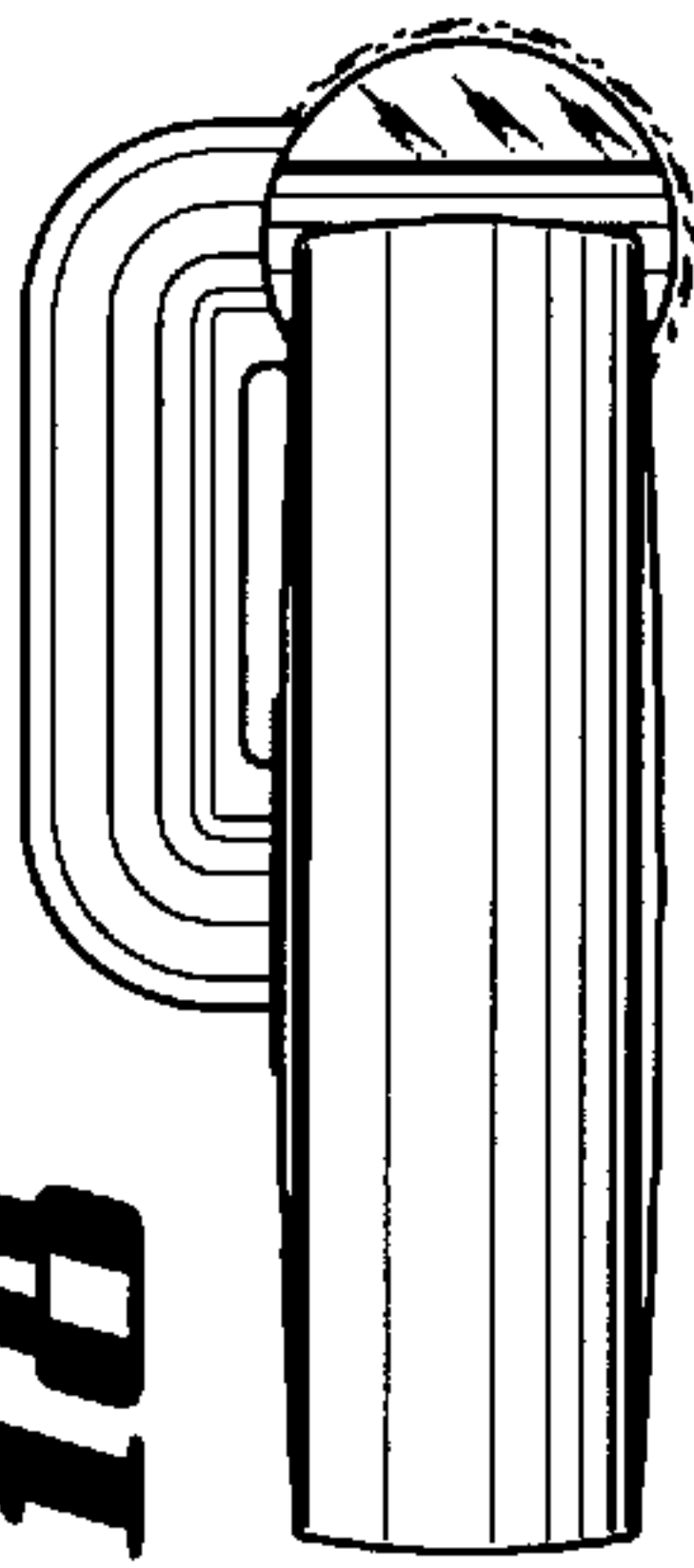


Fig. 1B

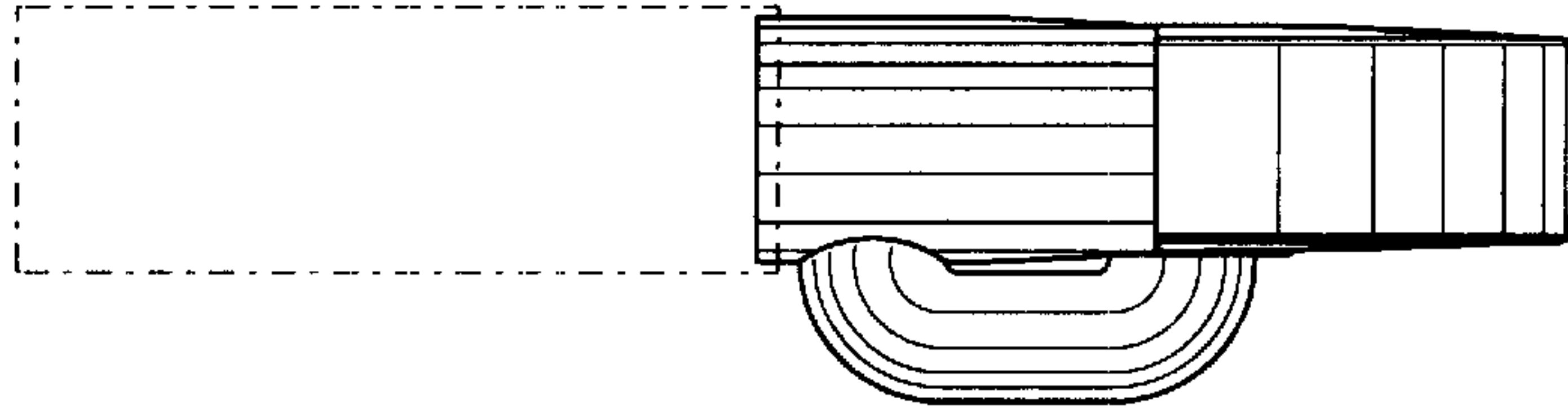


Fig. 14

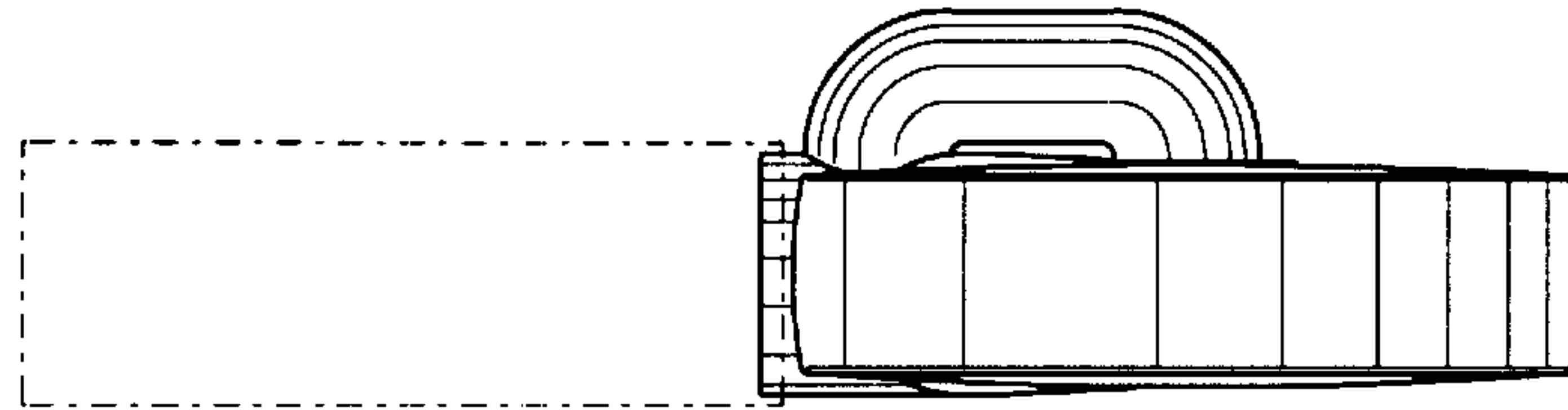


Fig. 15

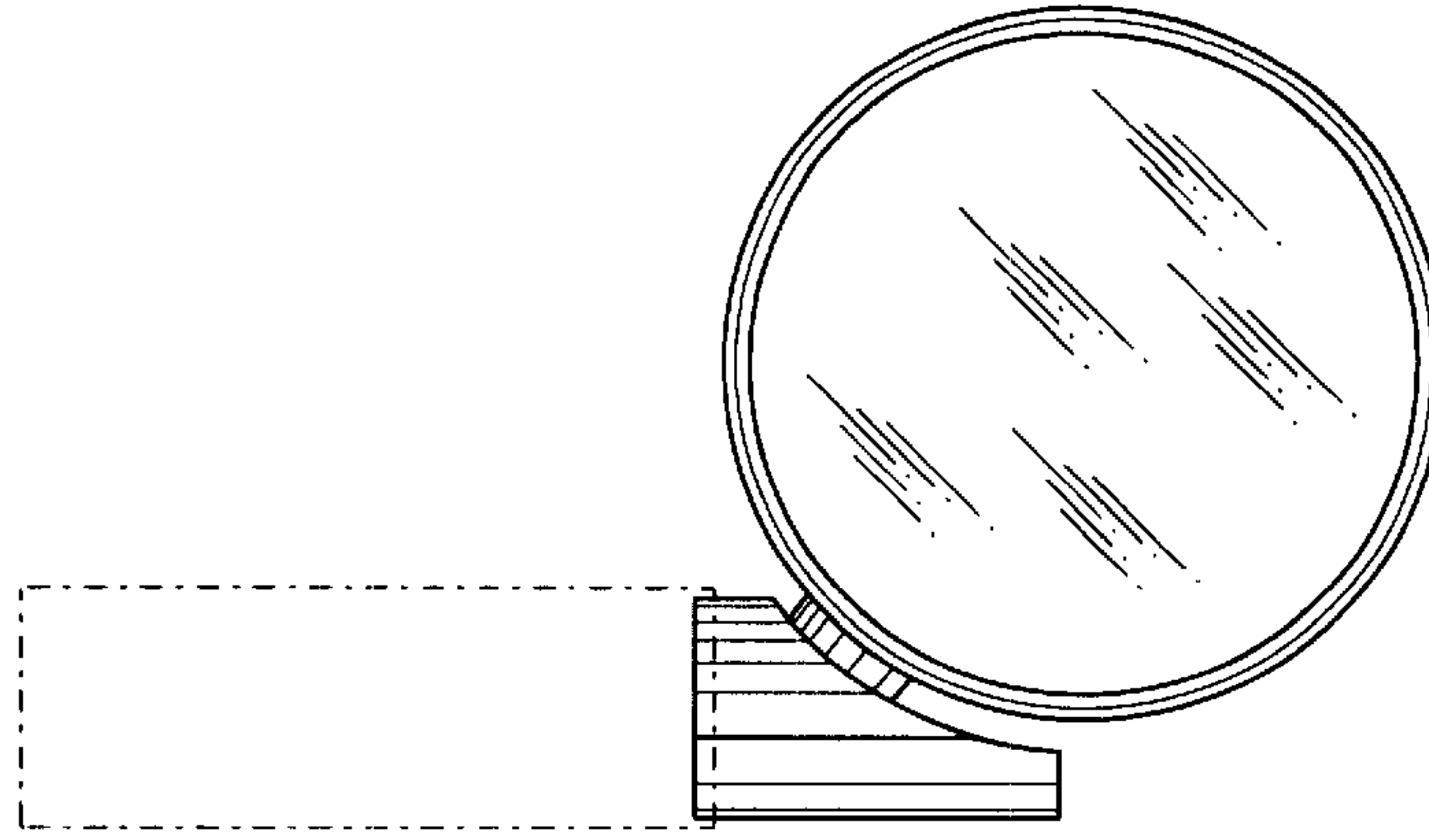


Fig. 13

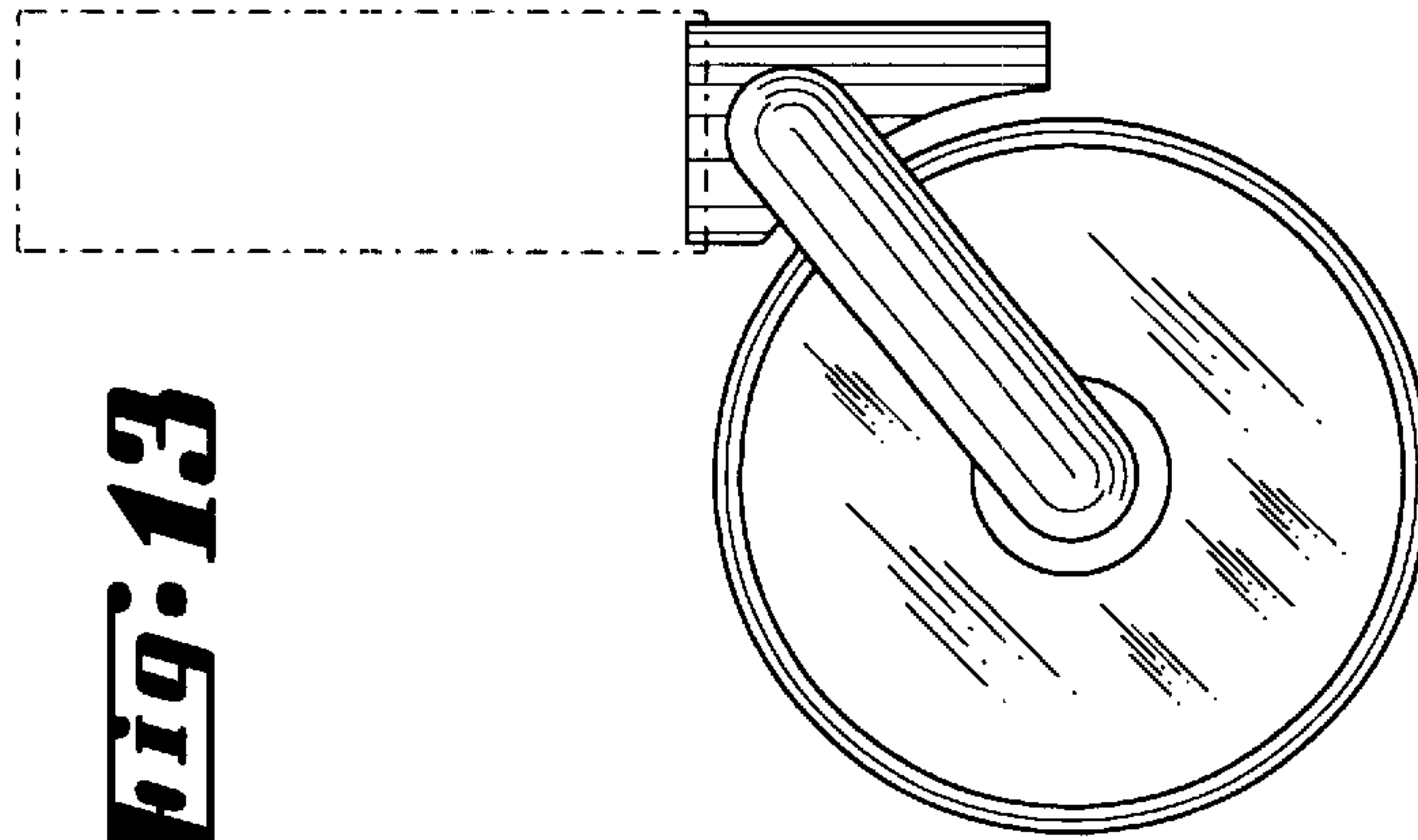


Fig. 17

