



US00D463256S

(12) **United States Design Patent**
Dame et al.

(10) **Patent No.:** **US D463,256 S**
(45) **Date of Patent:** **** Sep. 24, 2002**

- (54) **WORKSTATION FOOT**
- (75) Inventors: **Paul Dame**, Holland, MI (US); **Toren Orzeck**, Portland, OR (US)
- (73) Assignee: **Herman Miller**, Zeeland, MI (US)
- (**) Term: **14 Years**
- (21) Appl. No.: **29/131,151**
- (22) Filed: **Oct. 13, 2000**
- (51) **LOC (7) Cl.** **08-05**
- (52) **U.S. Cl.** **D8/374; D8/375; D6/495**
- (58) **Field of Search** **D8/374, 375, 382; D6/399, 495; D12/133; 312/194-196; 108/59, 60; 16/18 R, 31 R, 30, 19-22, 31 A, 40, 37, 34; 280/250.1, 304.1**

- 5,624,312 A 4/1997 Collier
- 5,673,632 A 10/1997 Sykes
- 5,704,298 A 1/1998 Corpuz, Jr. et al.
- 5,771,669 A * 6/1998 Langworthy et al. 56/6
- D398,166 S 9/1998 Mitchell
- D400,730 S 11/1998 Brandenburg
- D401,440 S 11/1998 Brandenburg
- 5,833,332 A 11/1998 Marshall et al.
- D412,686 S * 8/1999 Garven, Jr. D12/133
- 5,931,103 A 8/1999 Huang
- 5,934,639 A 8/1999 Chiang et al.
- 5,960,615 A 10/1999 Meetze

* cited by examiner

Primary Examiner—Pamela Burgess

(74) *Attorney, Agent, or Firm*—Brinks, Hofer, Gilson & Lione

(57) **CLAIM**

The ornamental design for a workstation foot, as shown and described.

(56) **References Cited**

U.S. PATENT DOCUMENTS

- 1,471,247 A 10/1923 Dietz
- 1,532,064 A 3/1925 Neiswender
- 3,463,505 A 8/1969 German et al.
- 3,770,334 A 11/1973 Weber
- 3,799,073 A * 3/1974 Nielsen 16/34
- 4,094,256 A 6/1978 Holper et al.
- D266,467 S 10/1982 Ylänkö
- 4,612,863 A 9/1986 Vonhausen et al.
- 4,625,633 A 12/1986 Martin
- 4,719,663 A 1/1988 Termini
- 4,879,955 A 11/1989 Moll et al.
- 5,044,135 A 9/1991 Kroon et al.
- 5,160,188 A 11/1992 Rorke et al.
- 5,226,705 A 7/1993 Rorke et al.
- 5,237,935 A 8/1993 Newhouse et al.
- D372,811 S 8/1996 Muller-Deisig et al.

DESCRIPTION

FIG. 1 is a perspective view of a workstation foot showing our new design;
 FIG. 2 is a left side elevational view thereof, the undisclosed right side being a mirror image;
 FIG. 3 is a top plan view thereof;
 FIG. 4 is a bottom plan view thereof;
 FIG. 5 is a rear elevational view thereof; and,
 FIG. 6 is a front elevational view thereof.
 The broken lines showing the workstation environment of the workstation foot are for environmental purposes only and do not form any part of the claimed design.

1 Claim, 2 Drawing Sheets

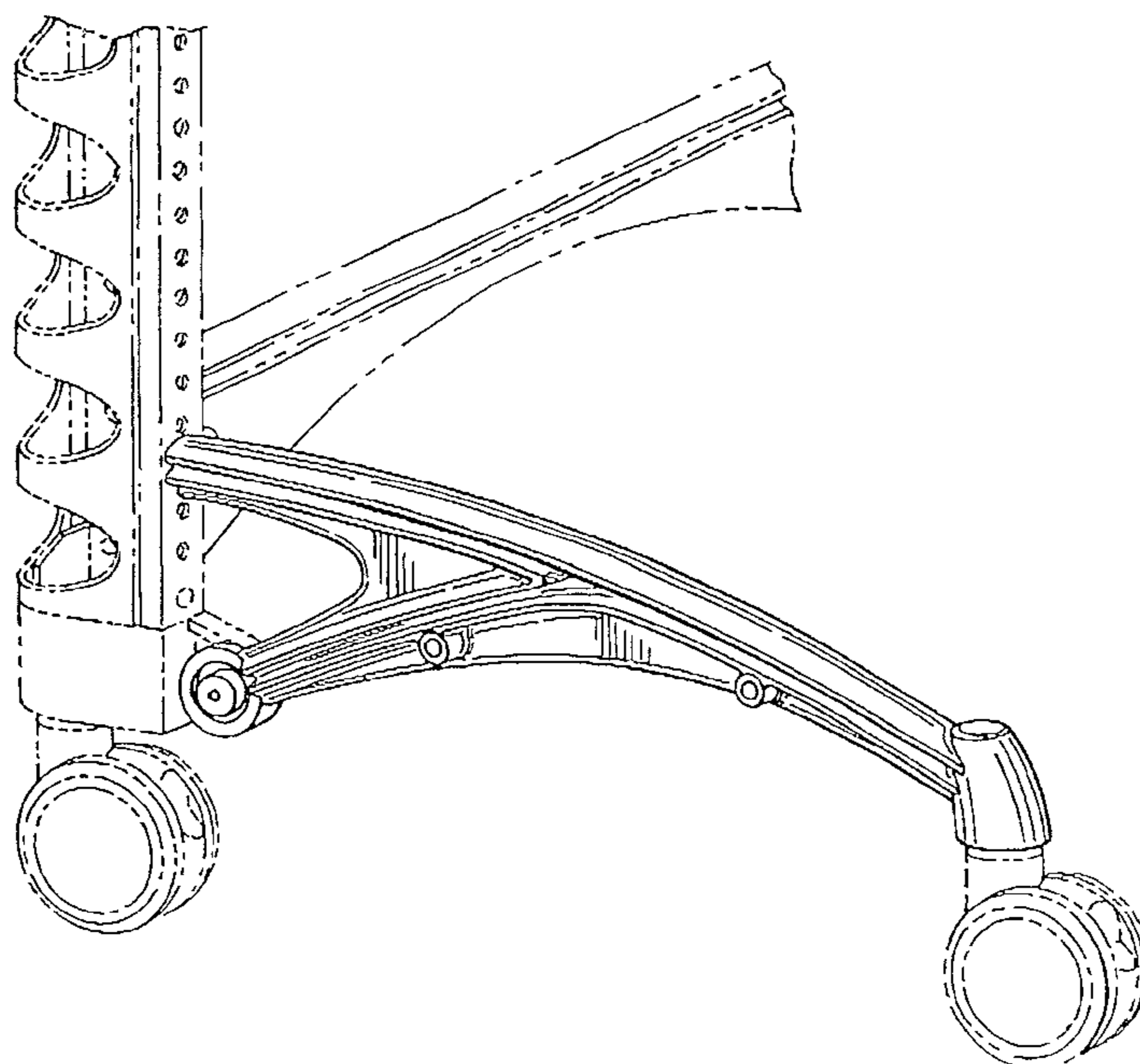


FIG. 1

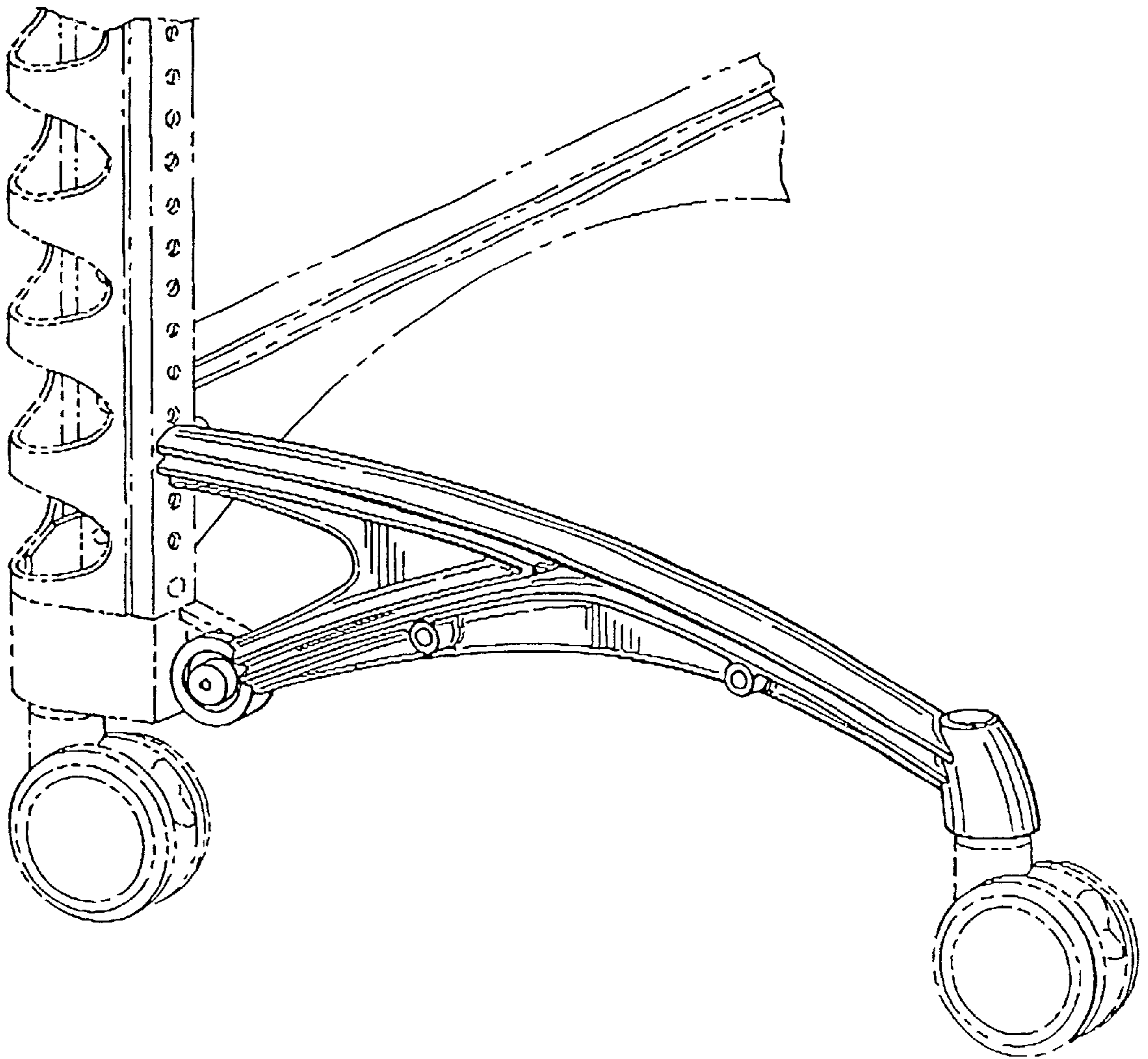


FIG.2

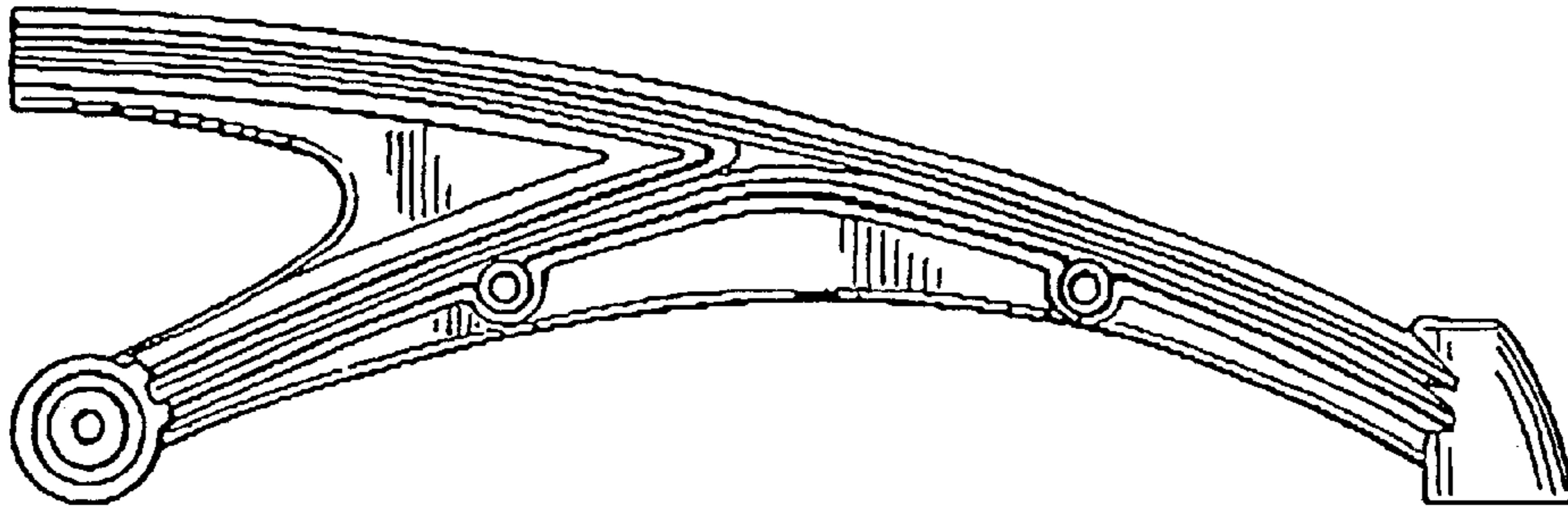


FIG.3

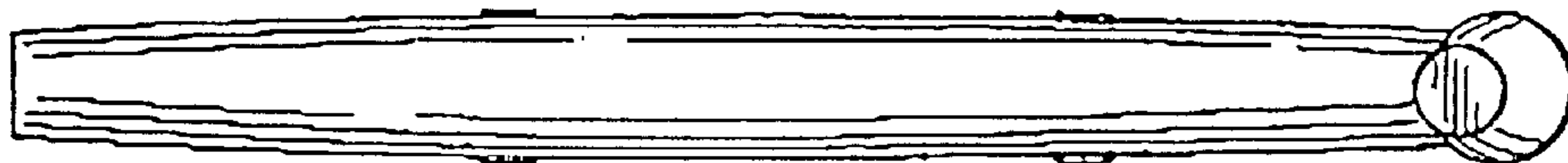


FIG.4

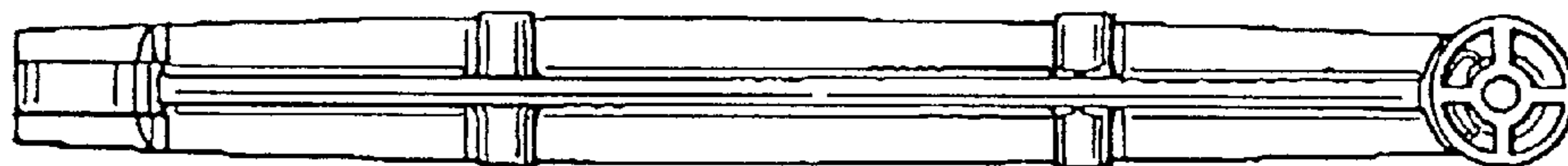


FIG.5



FIG.6

