



US00D463253S

(12) **United States Design Patent**  
**Canty**

(10) **Patent No.:** **US D463,253 S**

(45) **Date of Patent:** **\*\* Sep. 24, 2002**

(54) **VERTICAL CABLE MANAGER**

6,256,444 B1 7/2001 Bechamps et al.  
6,307,997 B1 \* 10/2001 Walters et al. .... 385/134

(75) Inventor: **Mark E. Canty**, Aurora, IL (US)

\* cited by examiner

(73) Assignee: **Panduit Corp.**, Tinley Park, IL (US)

*Primary Examiner*—Doris V. Coles

(\*\*) Term: **14 Years**

*Assistant Examiner*—Elizabeth A. Albert

(21) Appl. No.: **29/157,928**

(74) *Attorney, Agent, or Firm*—Robert A. McCann; Jay A. Saltzman; Christopher S. Clancy

(22) Filed: **Mar. 27, 2002**

(57) **CLAIM**

(51) **LOC (7) Cl.** ..... **08-05**

The ornamental design for a vertical cable manager, as shown and described.

(52) **U.S. Cl.** ..... **D8/356**

(58) **Field of Search** ..... D8/349, 354, 355,  
D8/356, 357, 373, 380; D13/154, 155;  
174/72 A, 97; 211/26, 26.2; 248/49, 58,  
68.1; 361/826, 829; 379/327, 328, 329;  
385/134, 135, 136, 137; 439/532, 714,  
719

**DESCRIPTION**

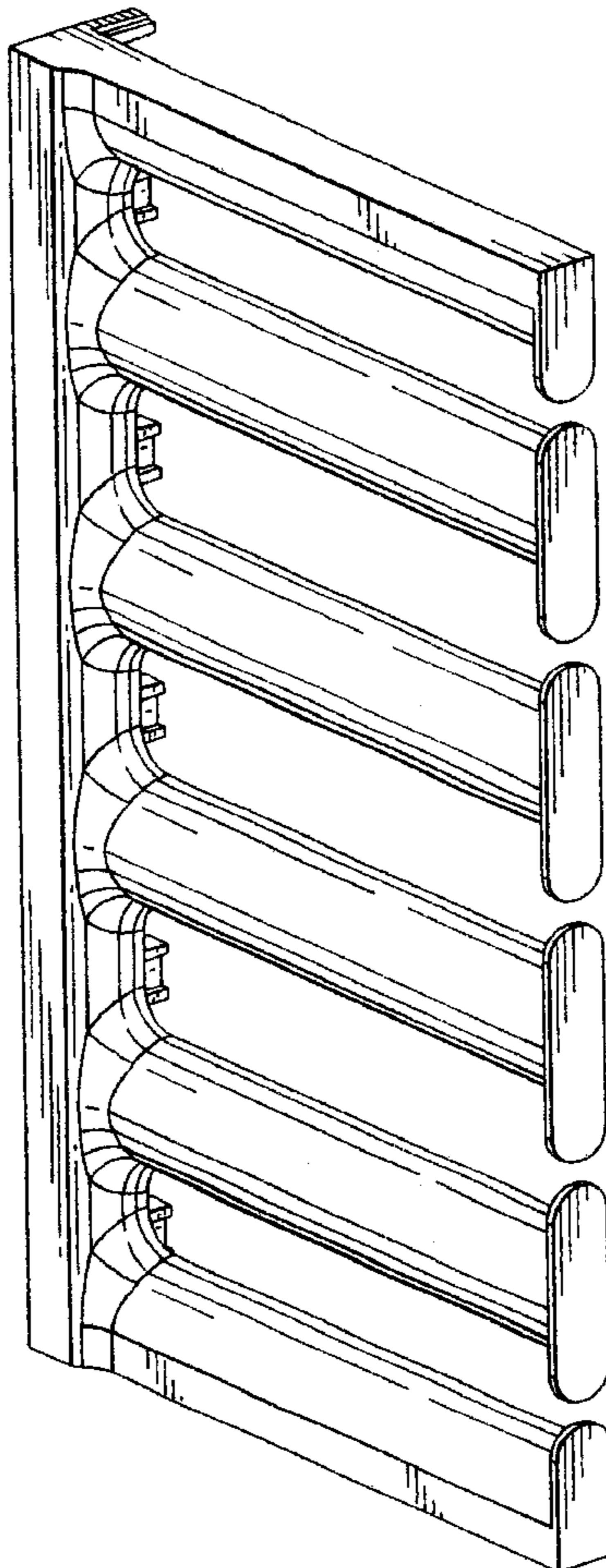
(56) **References Cited**

**U.S. PATENT DOCUMENTS**

- 3,906,146 A \* 9/1975 Taylor ..... 361/826
- 5,715,348 A 2/1998 Falkenberg et al.
- D404,010 S \* 1/1999 Viklund et al. .... D13/155
- 6,044,194 A \* 3/2000 Meyerhoefer ..... 385/134

FIG. 1 is a left front perspective view of a vertical cable manager showing my new design;  
 FIG. 2 is a left rear perspective view thereof;  
 FIG. 3 is a right front perspective view thereof;  
 FIG. 4 is a top view thereof;  
 FIG. 5 is a bottom view thereof;  
 FIG. 6 is a left side view thereof;  
 FIG. 7 is a front view thereof;  
 FIG. 8 is a rear view thereof; and,  
 FIG. 9 is a right side view thereof.

**1 Claim, 4 Drawing Sheets**



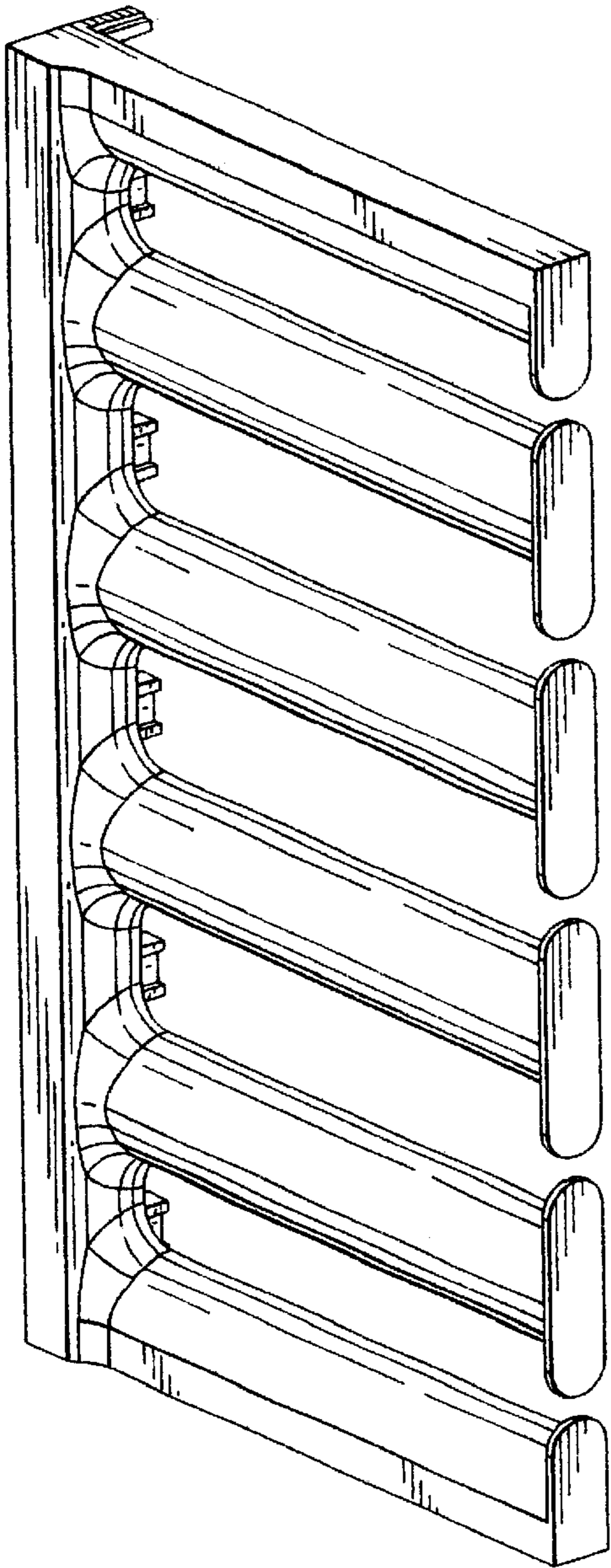


FIG. 1

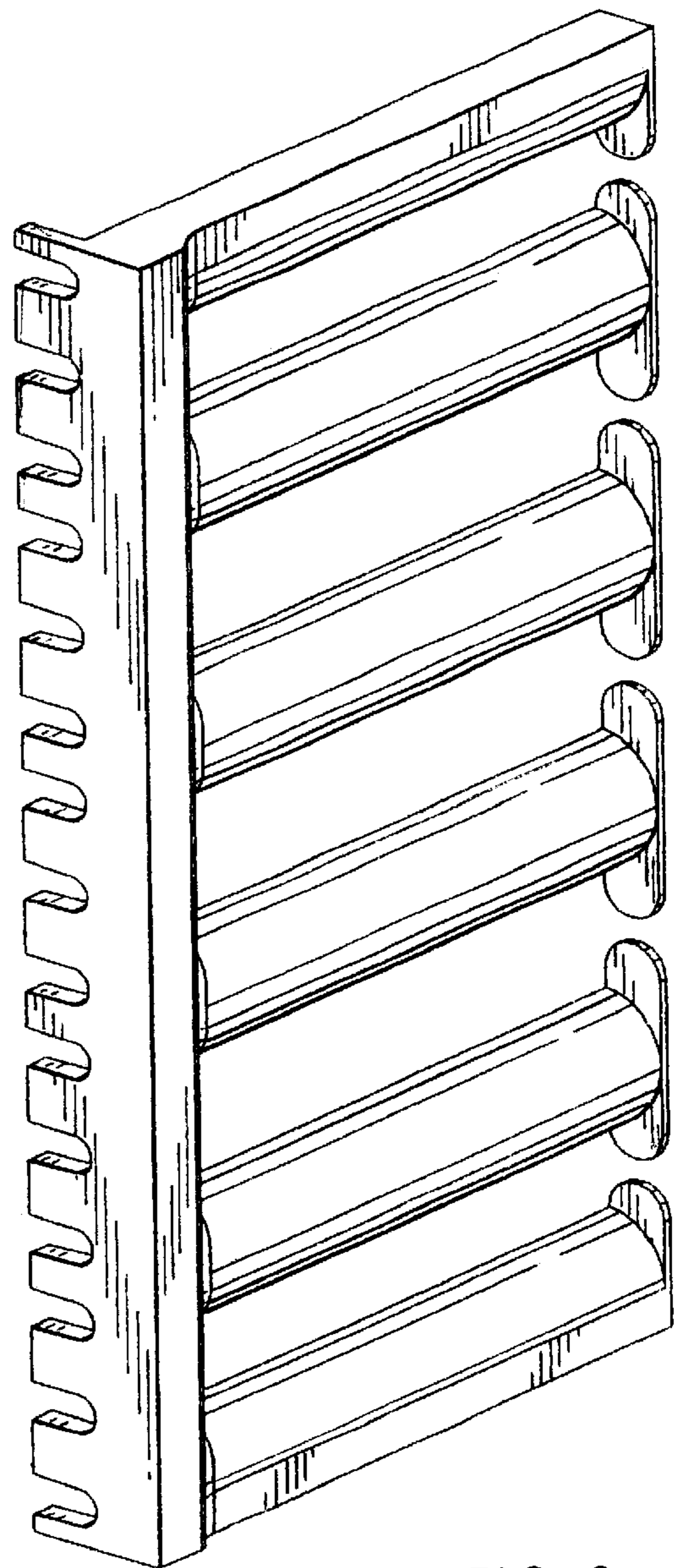


FIG. 2

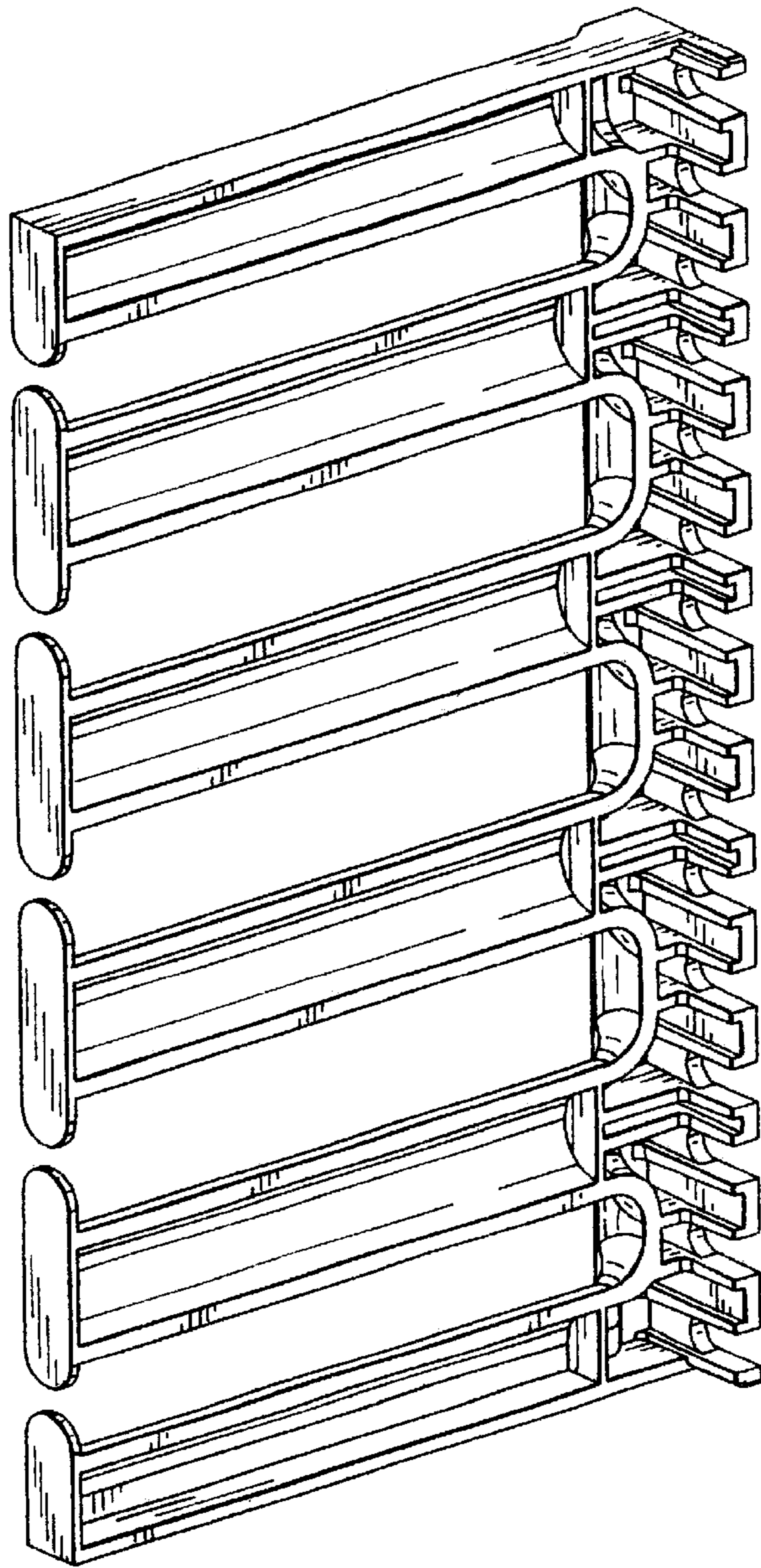


FIG. 3

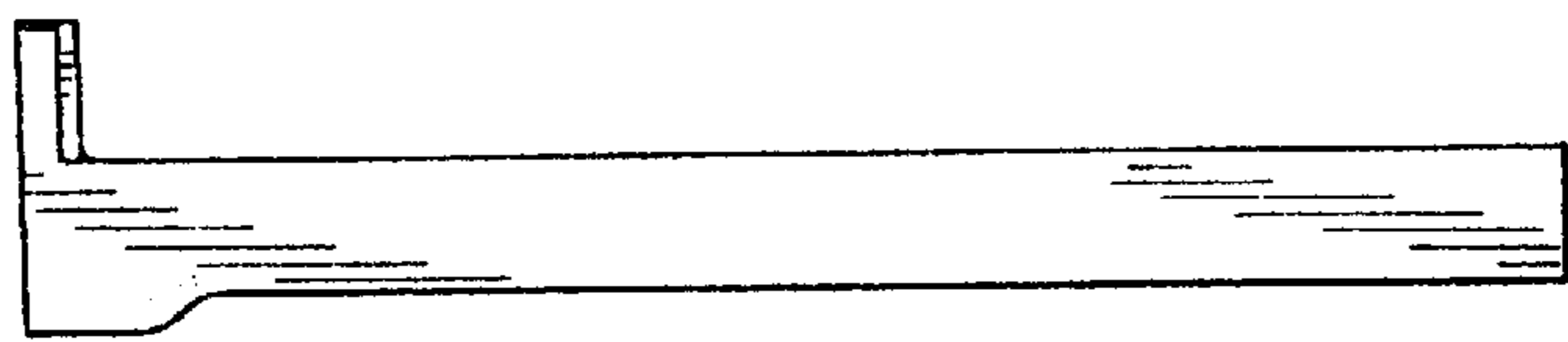


FIG. 4

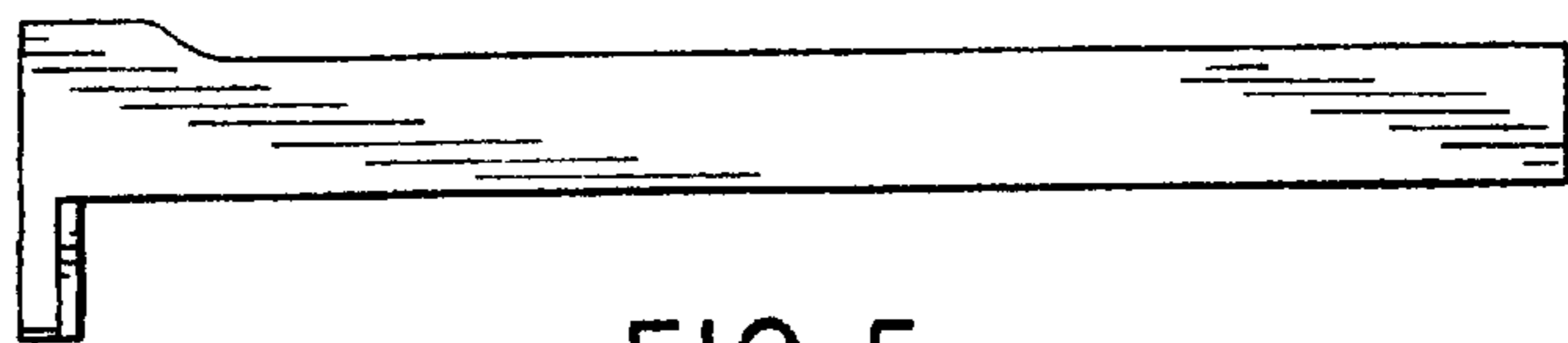


FIG. 5



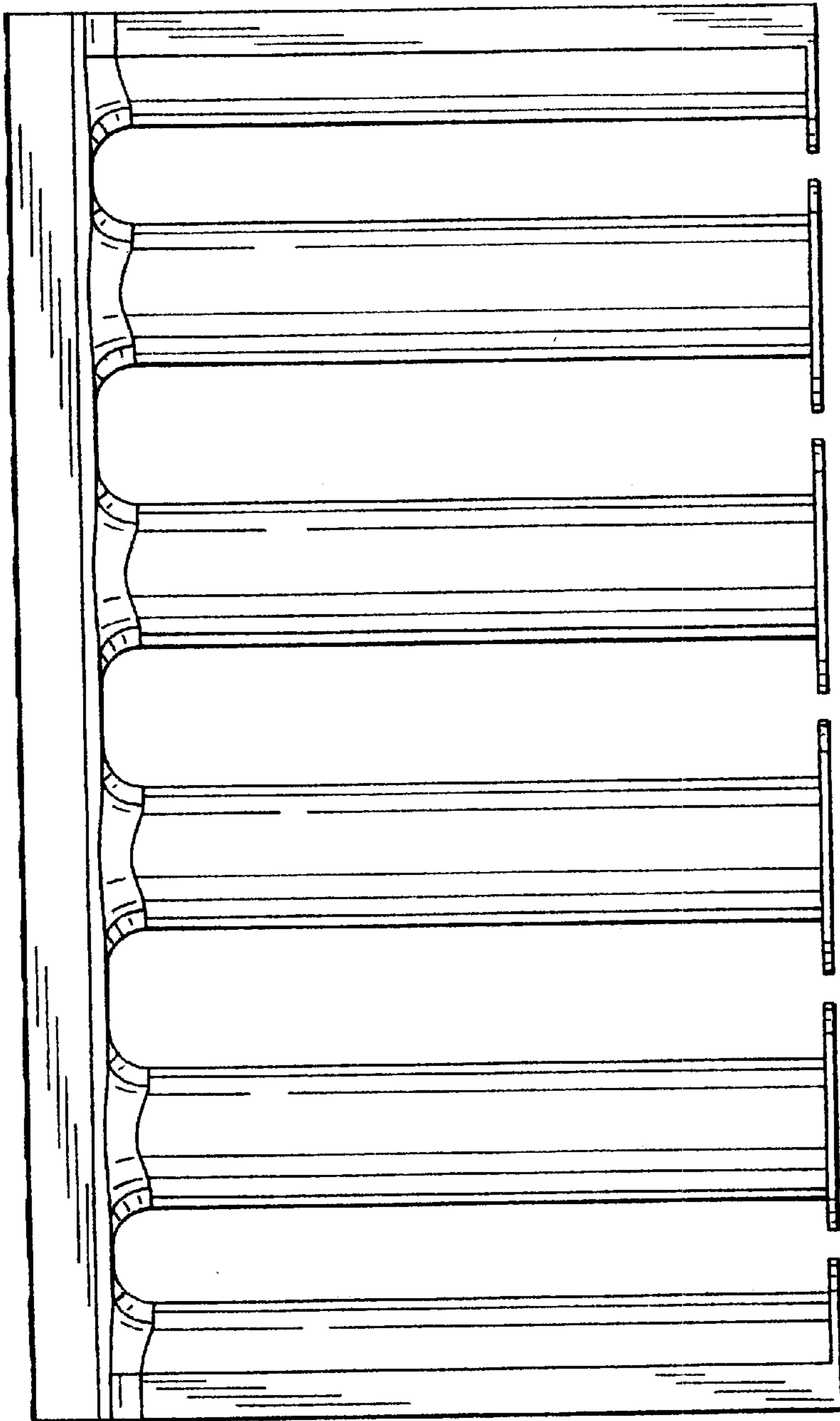


FIG. 6

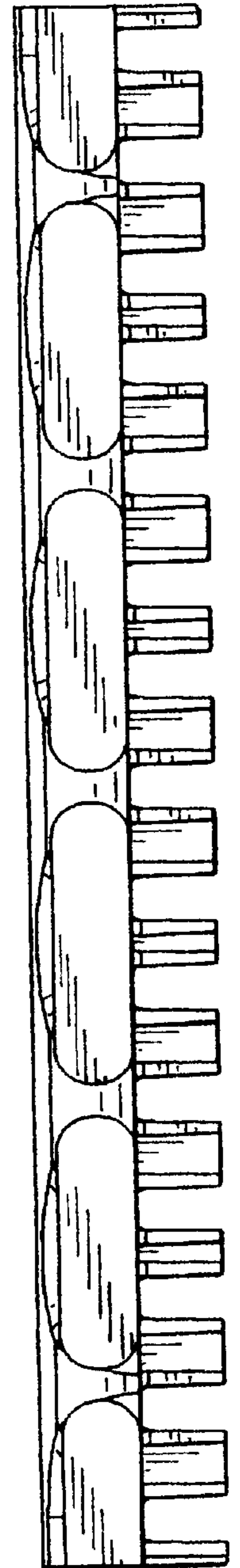


FIG. 7

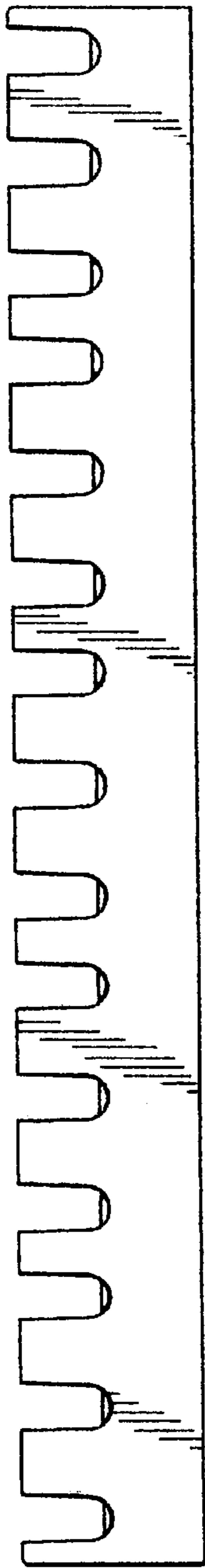


FIG. 8

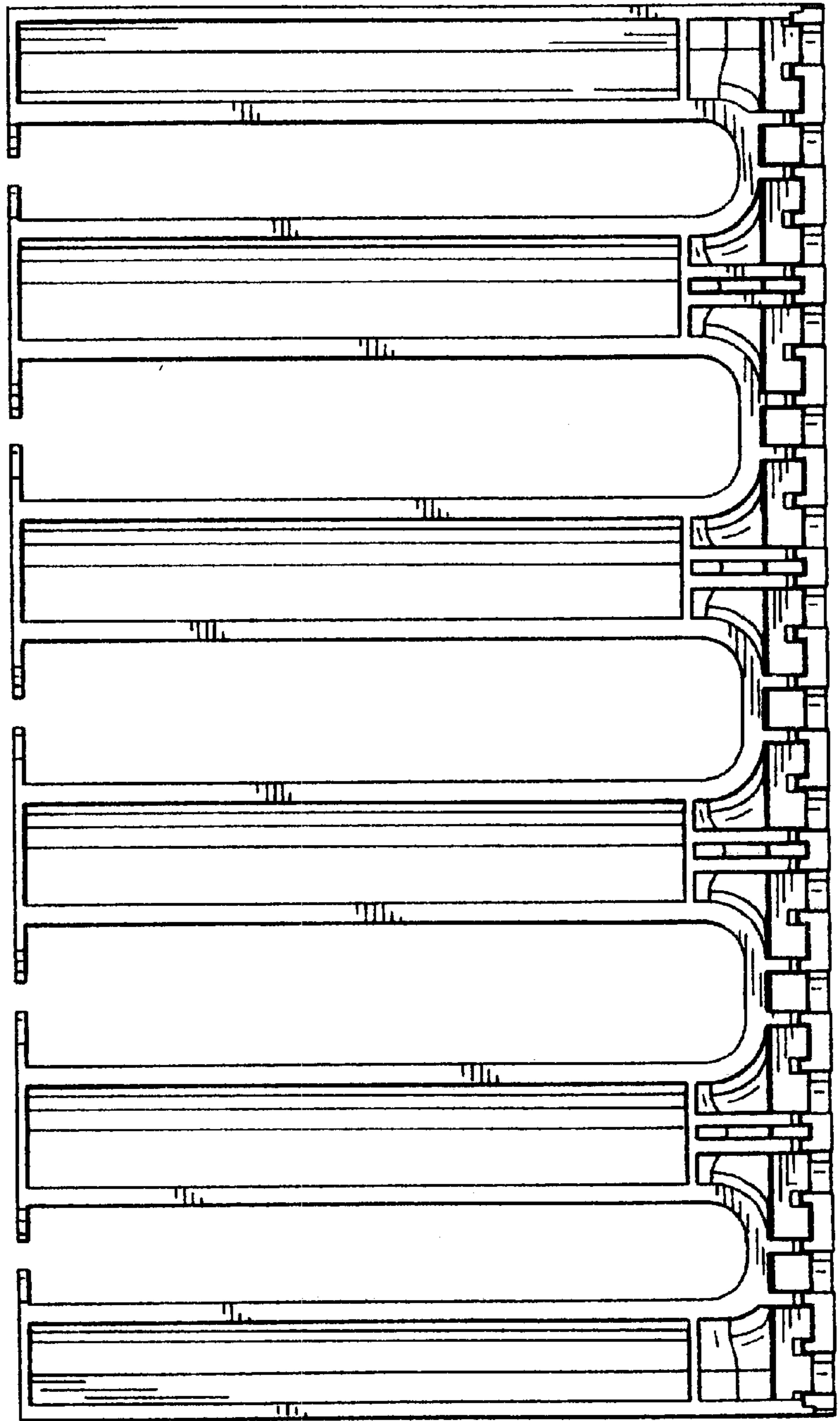


FIG. 9