



US00D463252S

(12) **United States Design Patent**
Switz et al.

(10) **Patent No.:** **US D463,252 S**

(45) **Date of Patent:** **** Sep. 24, 2002**

(54) **ANGLED MOUNTING BRACKET**

(75) Inventors: **David L. Switz**, Cortland, OH (US);
John E. Hatala, Valley City, OH (US)

(73) Assignee: **Jamar Cycle, LLC**, North Royalton,
OH (US)

(**) Term: **14 Years**

(21) Appl. No.: **29/155,430**

(22) Filed: **Feb. 8, 2002**

(51) **LOC (7) Cl.** **08-05**

(52) **U.S. Cl.** **D8/354**

(58) **Field of Search** D8/349, 354, 355,
D8/363, 364, 366, 373, 380, 381, 382,
394, 395, 396, 400, 499; D12/114, 119,
193; 40/200, 202; 248/65, 200, 201, 205.1,
207, 208, 214, 229.1, 230.1, 316.1, 351,
68.1

(56) **References Cited**

U.S. PATENT DOCUMENTS

D308,116 S * 5/1990 Vandergriff D8/396
D391,218 S * 2/1998 Pingel et al. D12/114
D447,045 S * 8/2001 Hundley D8/354

OTHER PUBLICATIONS

Tilt-Back Lighted License Plate Frame Assembly,
BLLLPF01, FatBook 2001, p. 686.*

Pp. 683-686 of *2001 FatBook Motorcycle Parts and Acces-
sories Catalog* Drag Specialties Catalog, published by Drag
Specialist, Minneapolis, MN. To the best of Applicant's
knowledge, the license plate mounting brackets shown on
pp. 683-686 were on sale more than one year before the
filing date of the present application.

P. 503 of *2002 Harley-Davidson® Genuine Motor Acces-
sories and Genuine Motor Parts* catalog, touring motorcycle
section, published by Harley-Davidson Motor Co., Milwau-
kee, WI., copyright 2001. To the best of Applicant's knowl-
edge, the license plate mounting bracket shown on p. 503

was on sale more than one year before the filing date of the
present application.

* cited by examiner

Primary Examiner—Doris V. Coles

Assistant Examiner—Elizabeth A. Albert

(74) *Attorney, Agent, or Firm*—Watts, Hoffmann, Fisher &
Heinke, Co., LPA

(57) **CLAIM**

We claim the ornamental design for an angled mounting
bracket, as shown and described.

DESCRIPTION

FIG. 1 is a perspective view of an angled mounting bracket
mounted on a license plate mounting bar of a motorcycle
showing our new design, including a cut-away view of the
license plate and a cut-away view of the license plate
mounting bar shown for purposes of illustration;

FIG. 2 is a perspective view of an angled mounting bracket
of the present invention;

FIG. 3 is a right side elevation view of the angled mounting
bracket of FIG. 2, the left side elevation view a mirror image
of the right side elevation view;

FIG. 4 is a front elevation view of the angled mounted
bracket of FIG. 2;

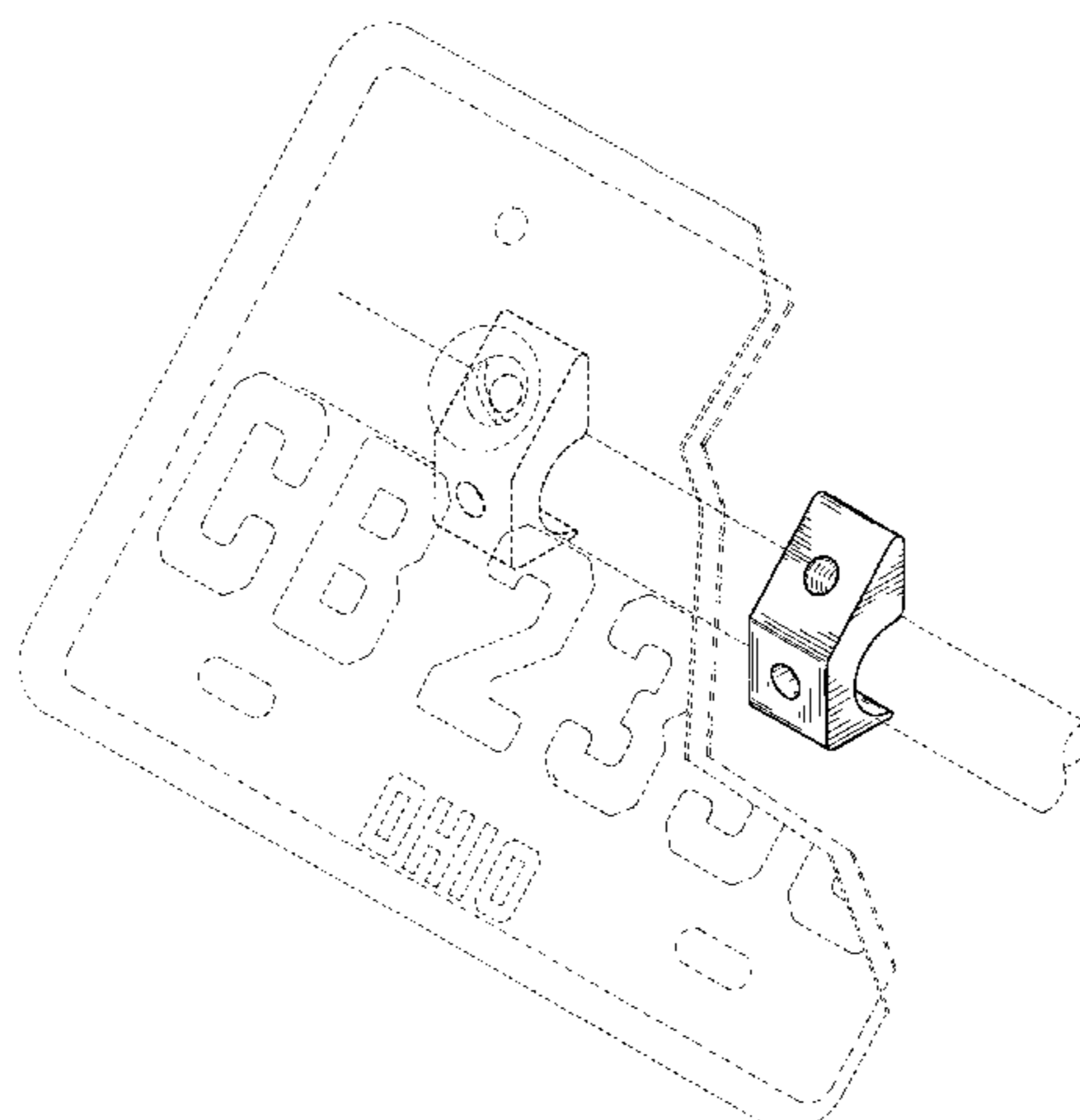
FIG. 5 is a rear elevation view of the angled mounting
bracket of FIG. 2;

FIG. 6 is a bottom plan view of the angled mounting bracket
of FIG. 2; and,

FIG. 7 is a top plan view of the angled mounting bracket of
FIG. 2.

The broken lines shown are for illustrative purposes only
and form no part of the claimed design.

1 Claim, 2 Drawing Sheets



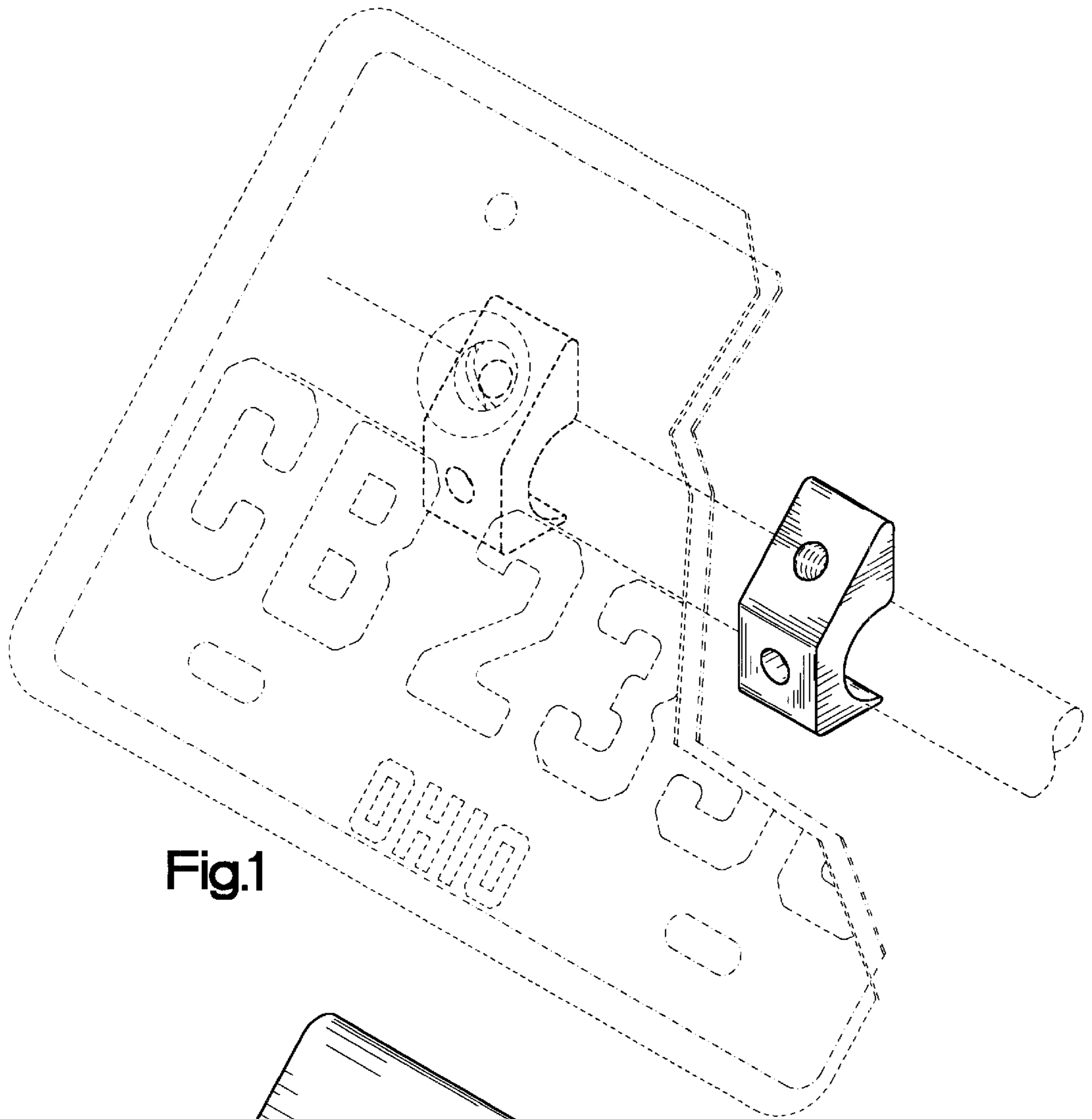


Fig.1

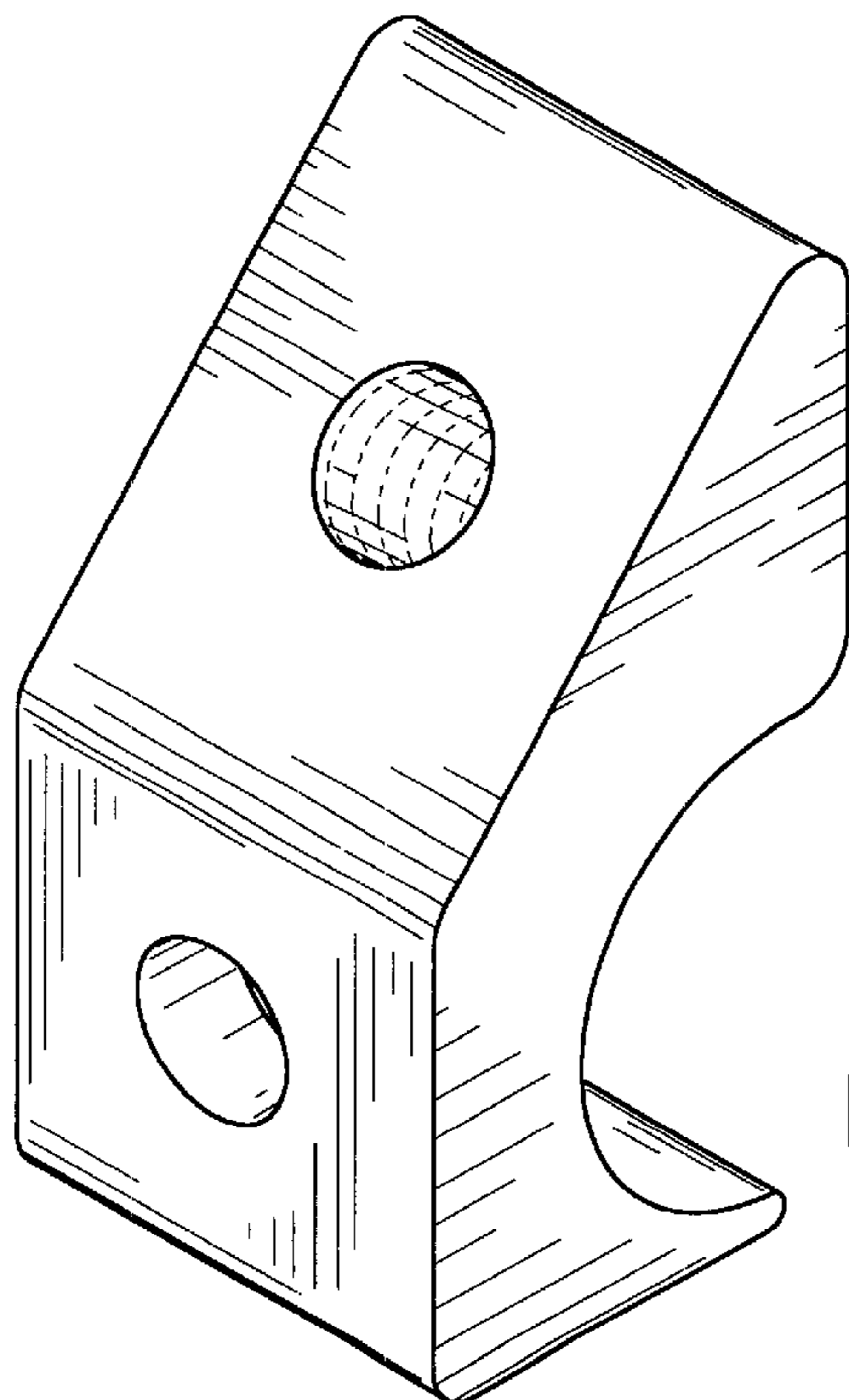


Fig.2

Fig.3

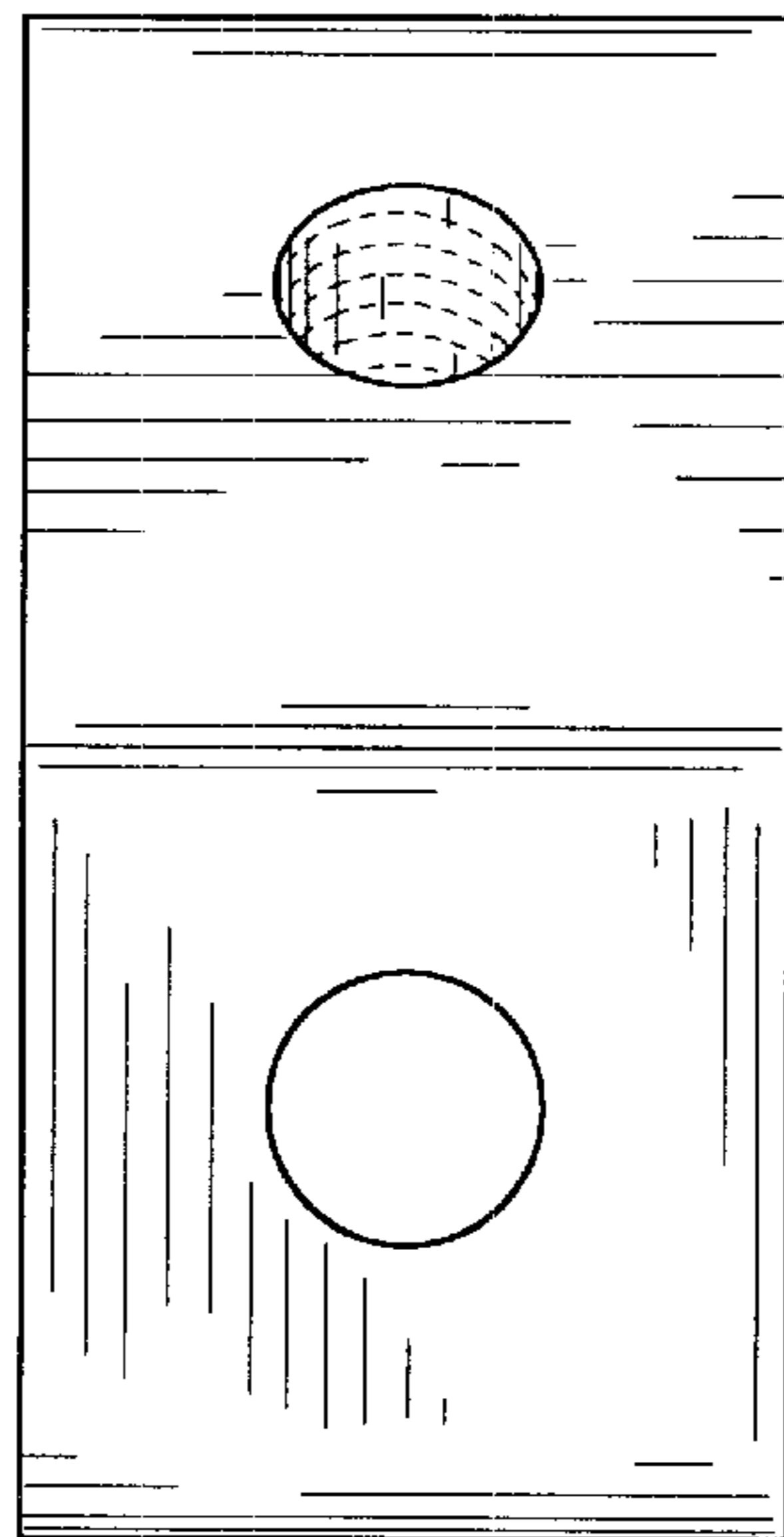
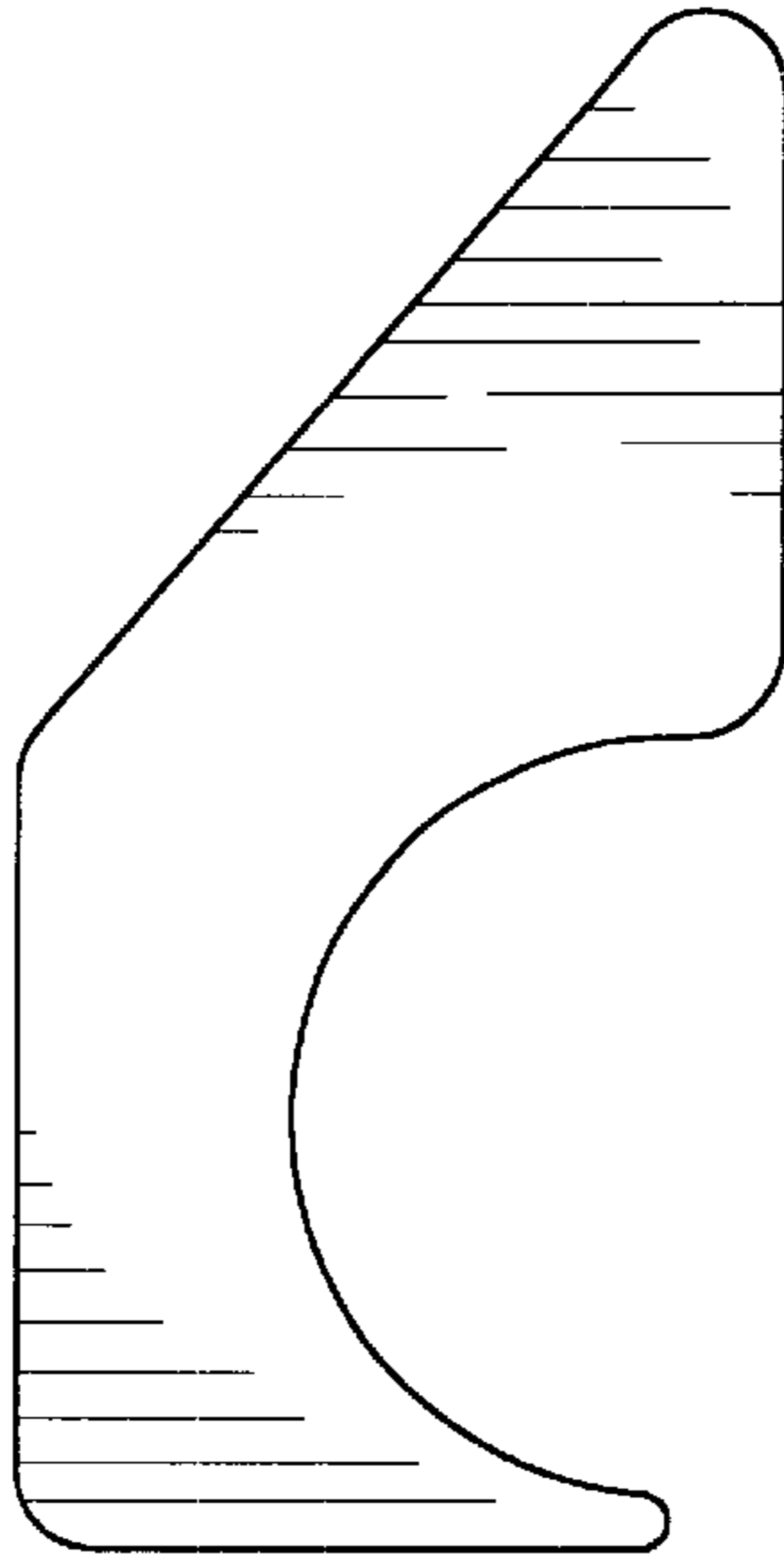


Fig.4

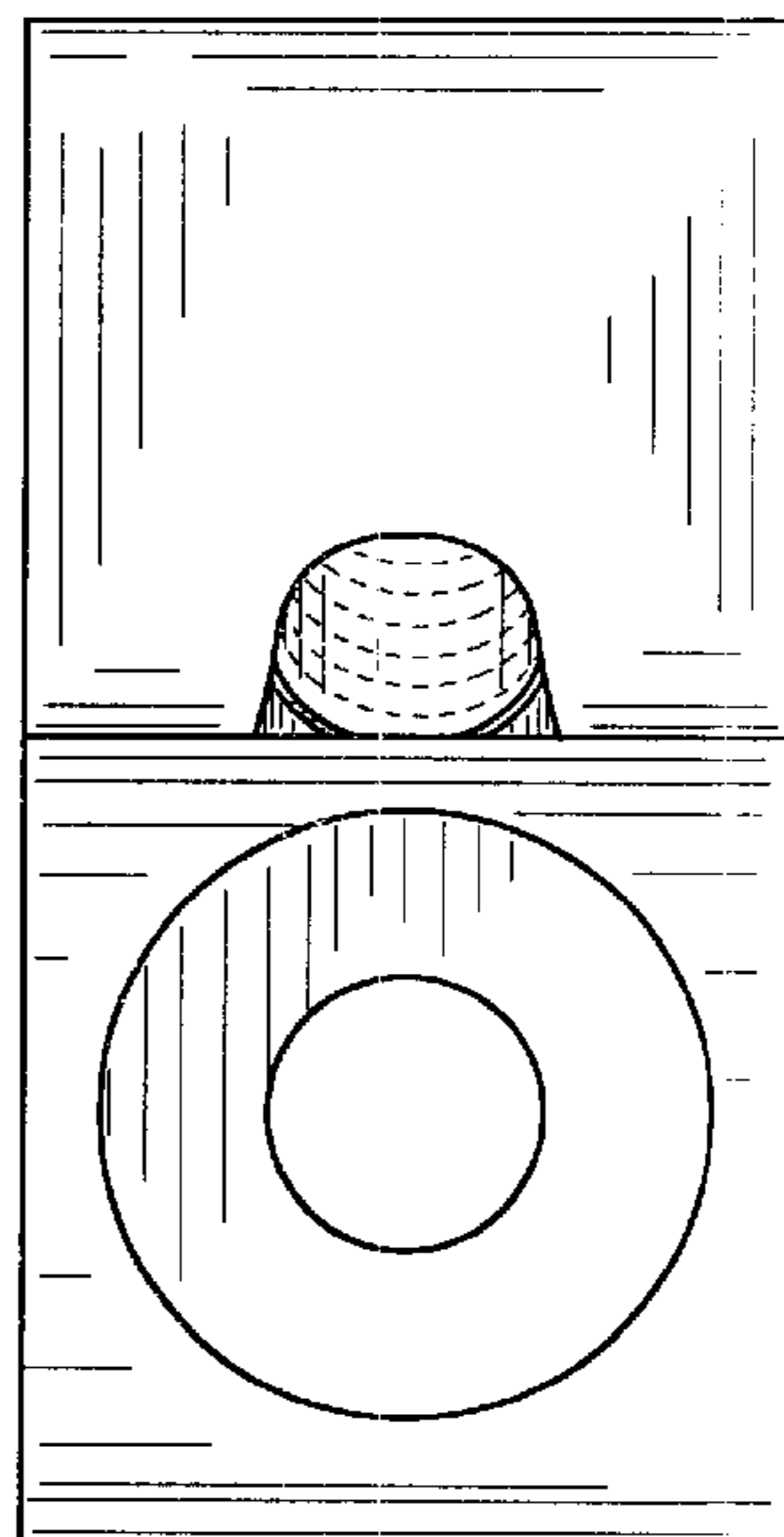


Fig.5

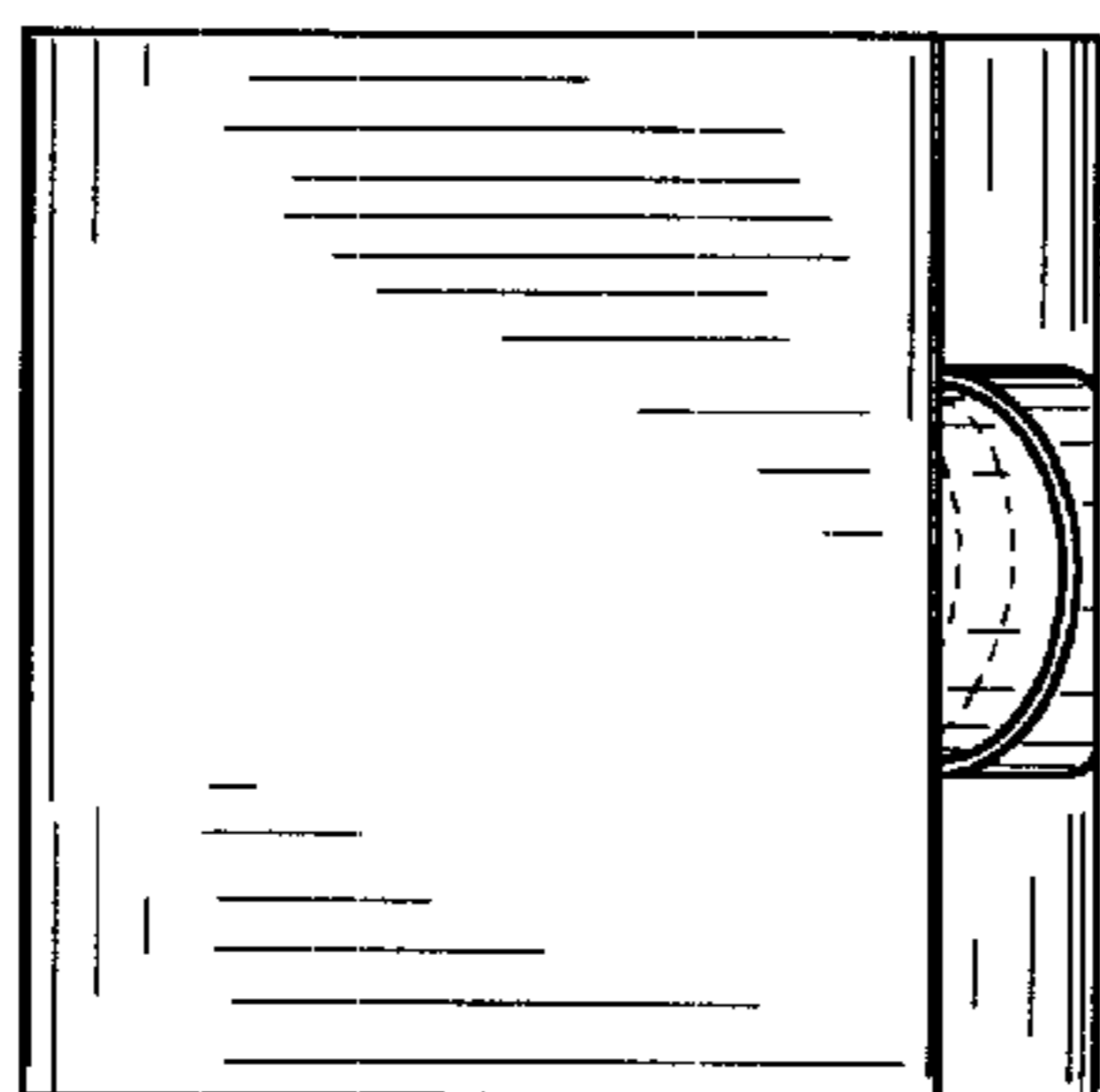


Fig.6

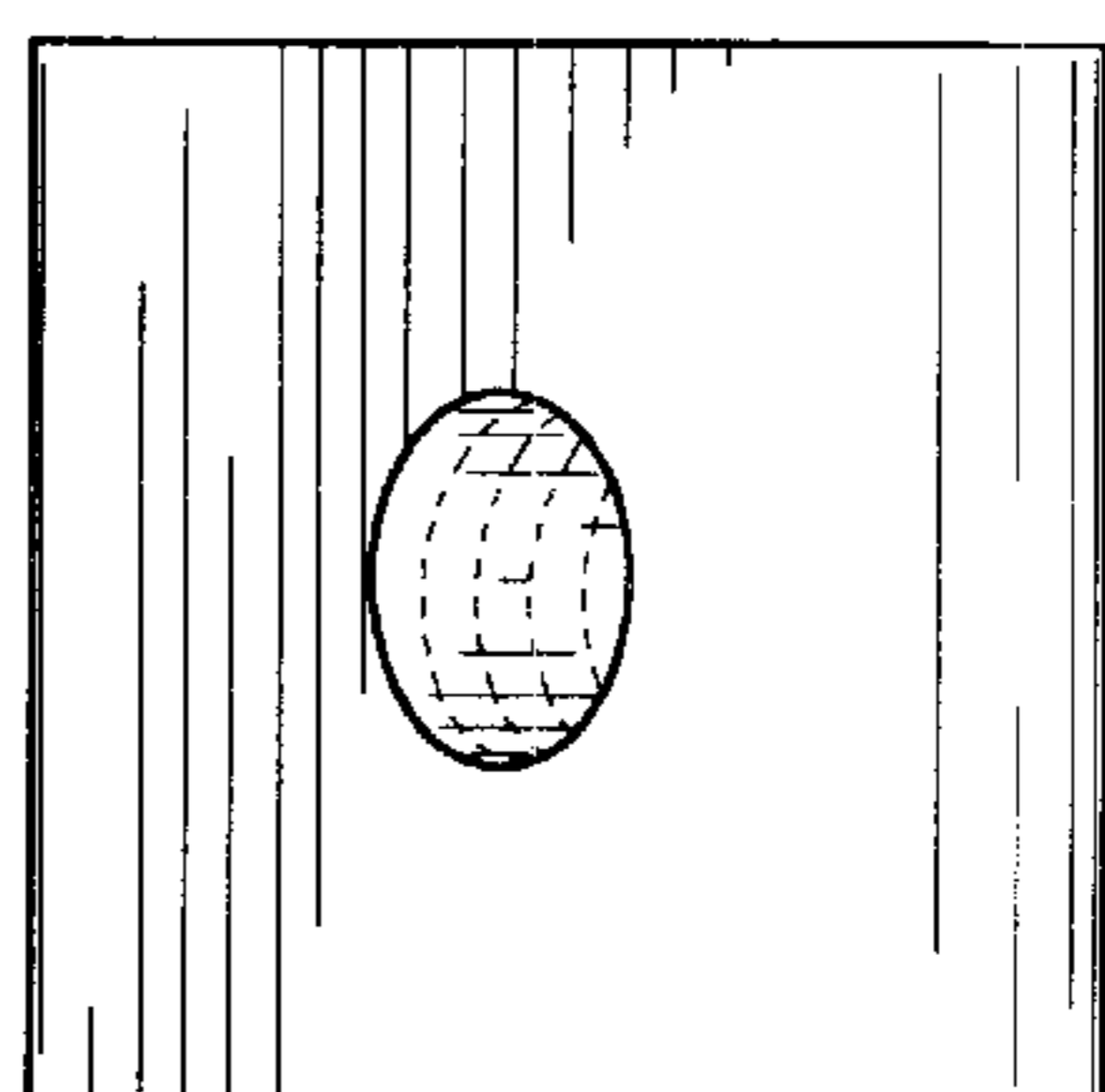


Fig.7