

US00D463251S

(12) **United States Design Patent**
Shea

(10) **Patent No.:** **US D463,251 S**

(45) **Date of Patent:** **** Sep. 24, 2002**

(54) **OFF-SHELF BRACKET**

(76) Inventor: **Thomas M. Shea**, 1343 Rochester Rd.,
Suite 100, Troy, MI (US) 48083

(**) Term: **14 Years**

(21) Appl. No.: **29/145,506**

(22) Filed: **Jul. 24, 2001**

(51) **LOC (7) Cl.** **08-05**

(52) **U.S. Cl.** **D8/354; D8/381**

(58) **Field of Search** D8/354, 349; 248/300-301,
248/200-201, 200.1, 223.31, 225.11, 220.21,
222.13, 223.41, 220.22

(56) **References Cited**

U.S. PATENT DOCUMENTS

D254,290 S	2/1980	Smith	
D257,663 S	12/1980	McKee	
4,270,719 A	6/1981	Kellogg	
D260,852 S	9/1981	Loeschen	
4,702,448 A	10/1987	LoJacono et al.	
D318,414 S	7/1991	Righini	
D327,839 S	7/1992	Stumpf et al.	
D341,819 S	11/1993	Carlstrom	
D367,001 S	2/1996	Bright	
D376,751 S	* 12/1996	Hanson et al.	D8/354
D422,483 S	* 4/2000	Shea	D8/354

D431,770 S * 10/2000 Willet D8/354
6,147,874 A * 11/2000 Burbano et al. 248/225.11

* cited by examiner

Primary Examiner—Pamela Burgess
(74) *Attorney, Agent, or Firm*—Gifford, Krass, Groh,
Sprinkle, Anderson & Citkowski, P.C.

(57) **CLAIM**

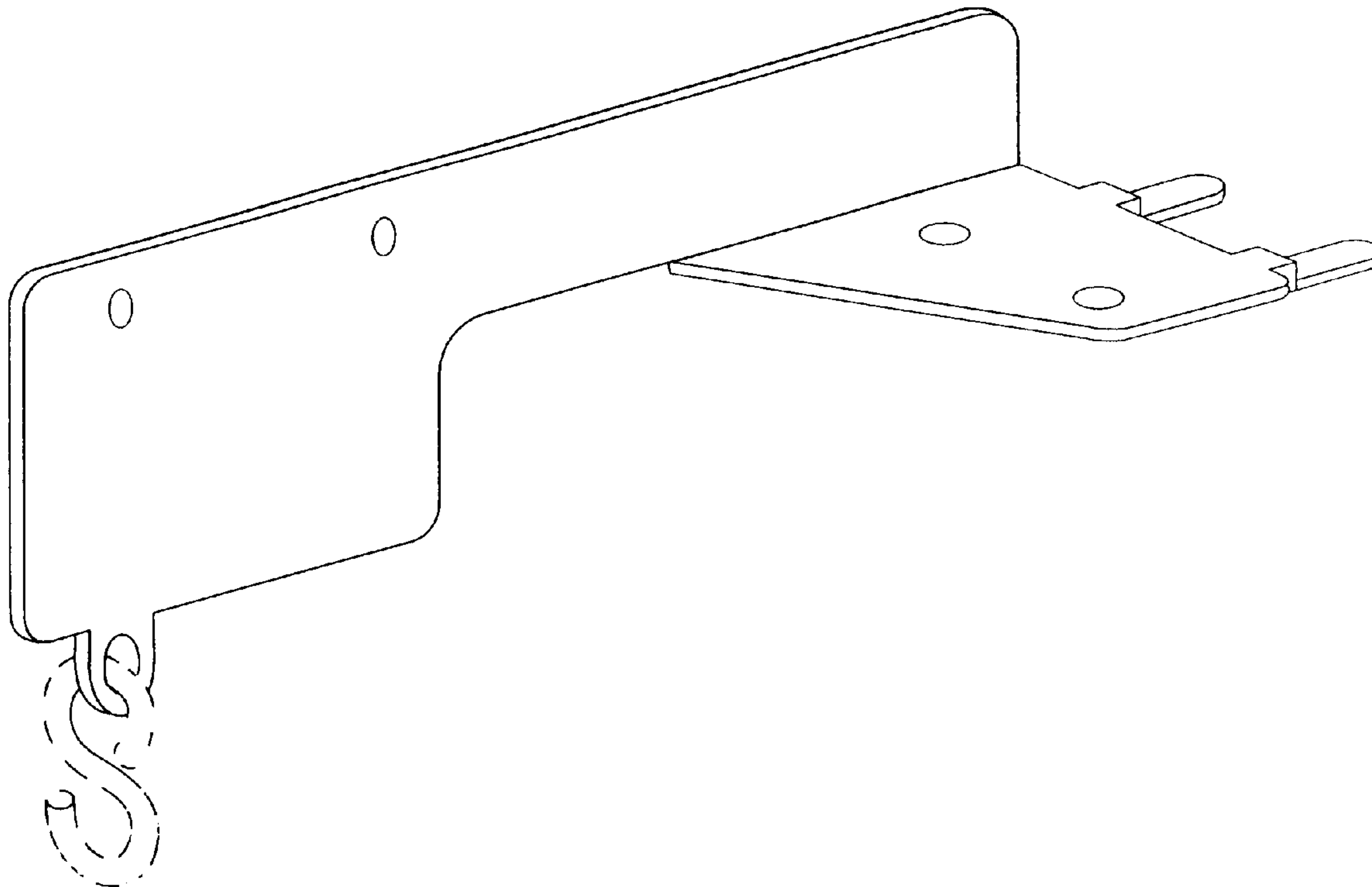
I claim the ornamental design for an off-shelf bracket, as shown and described.

DESCRIPTION

FIG. 1 is a perspective view of a first embodiment of an off-shelf bracket showing my new design; FIG. 2 is a top plan view thereof; FIG. 3 is a front elevational view thereof; FIG. 4 is a left side elevational view thereof; FIG. 5 is a bottom plan view thereof; FIG. 6 is a rear elevational view thereof; FIG. 7 is a right side elevational view thereof; FIG. 8 is a perspective view of a second embodiment of an off-shelf bracket showing my new design; and, FIG. 9 is a perspective view thereof, shown without environmental structure.

The broken lines shown in the drawings are for illustrative purposes only and form no part of the claimed design.

1 Claim, 5 Drawing Sheets



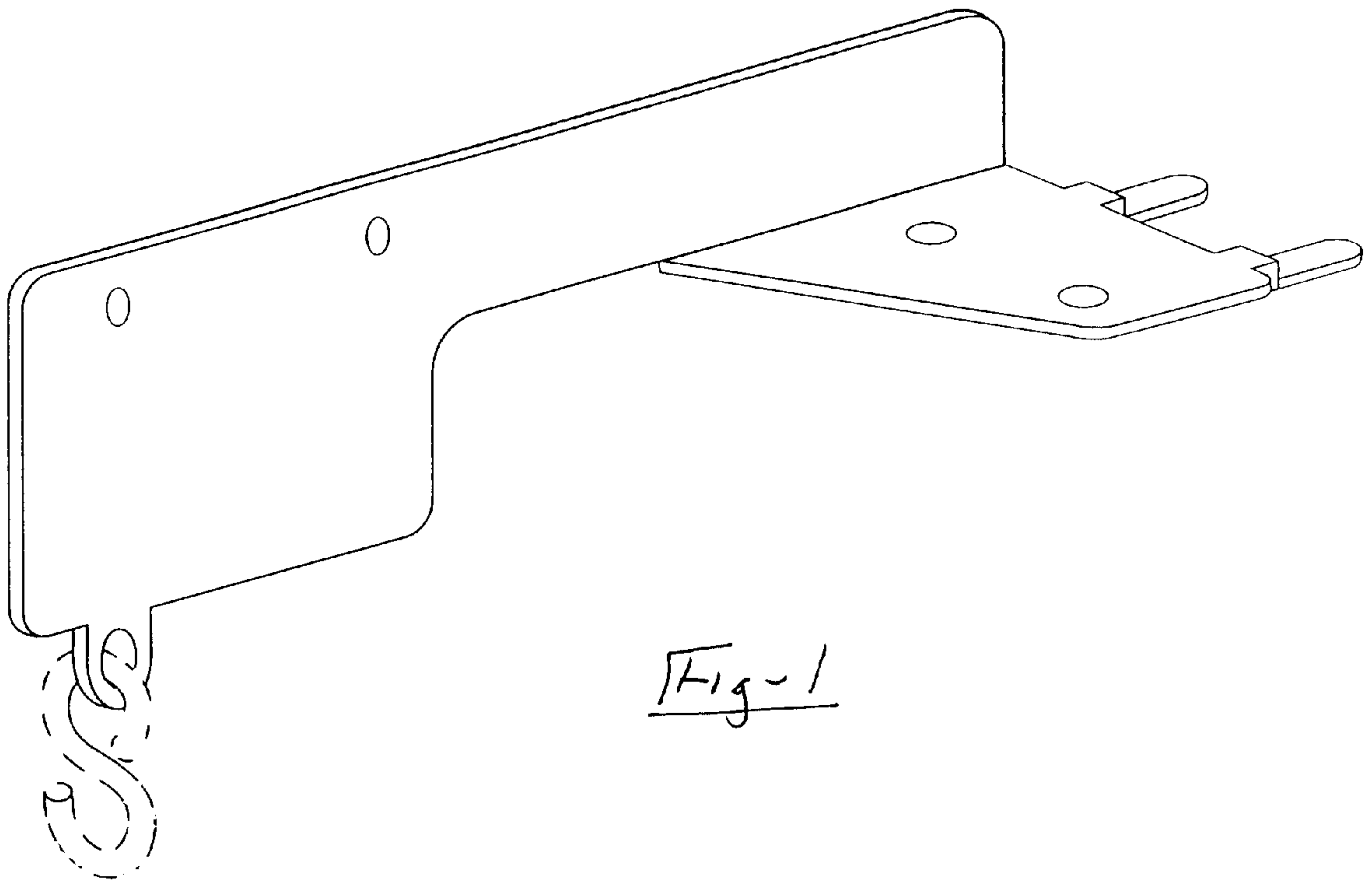


Fig-1

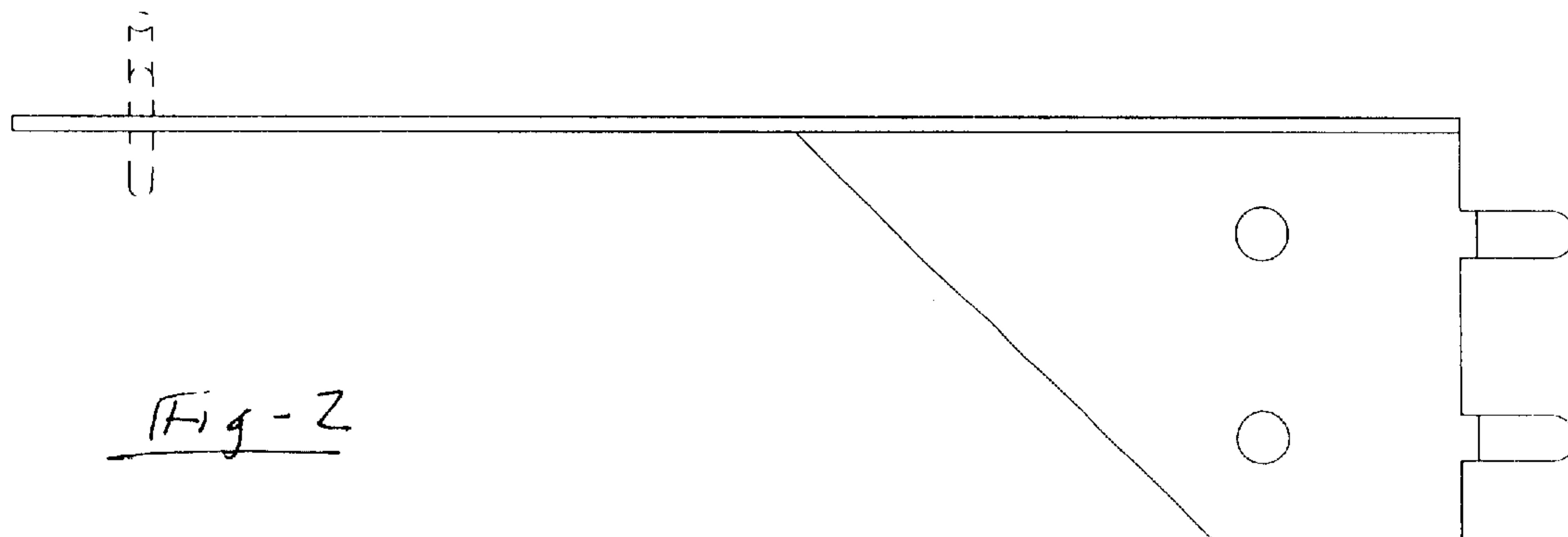


Fig-2

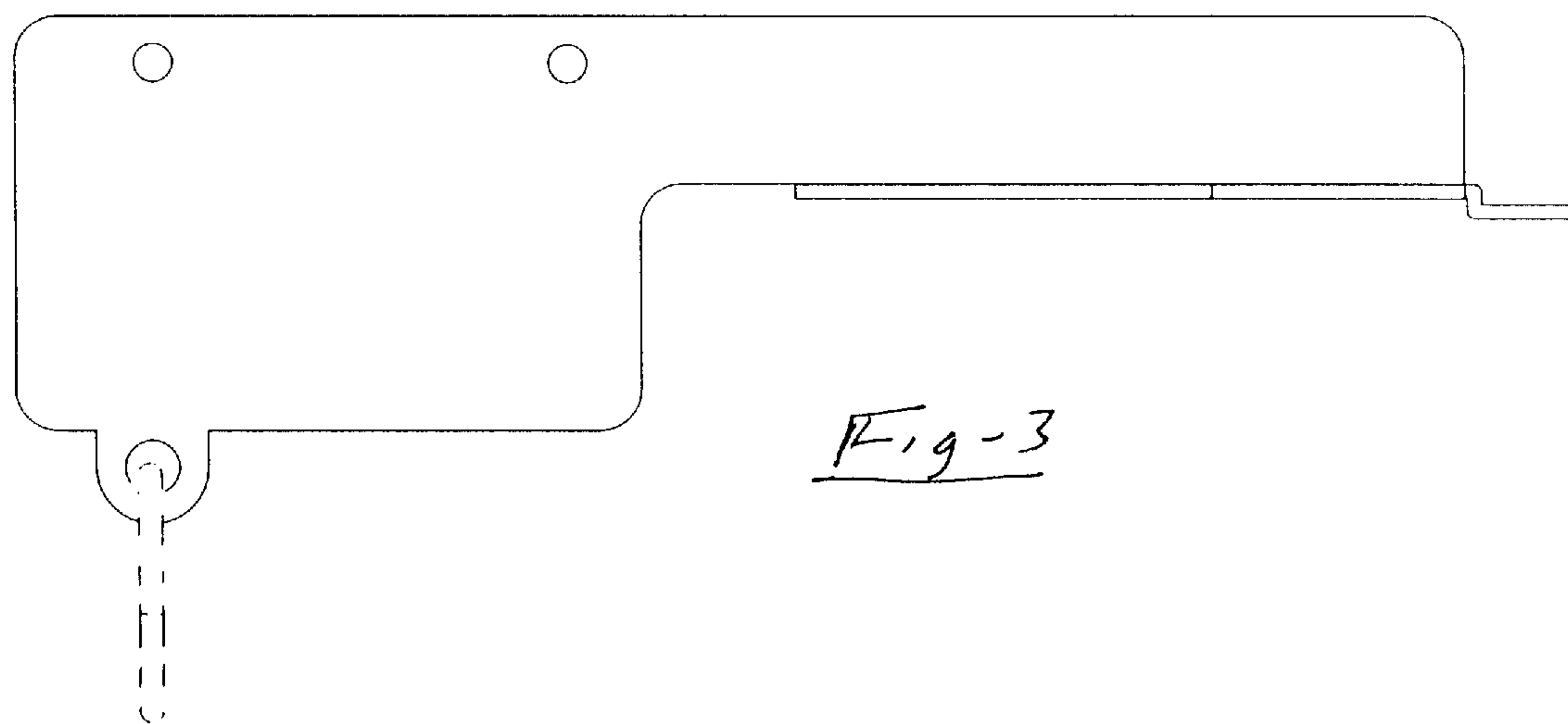


Fig-3

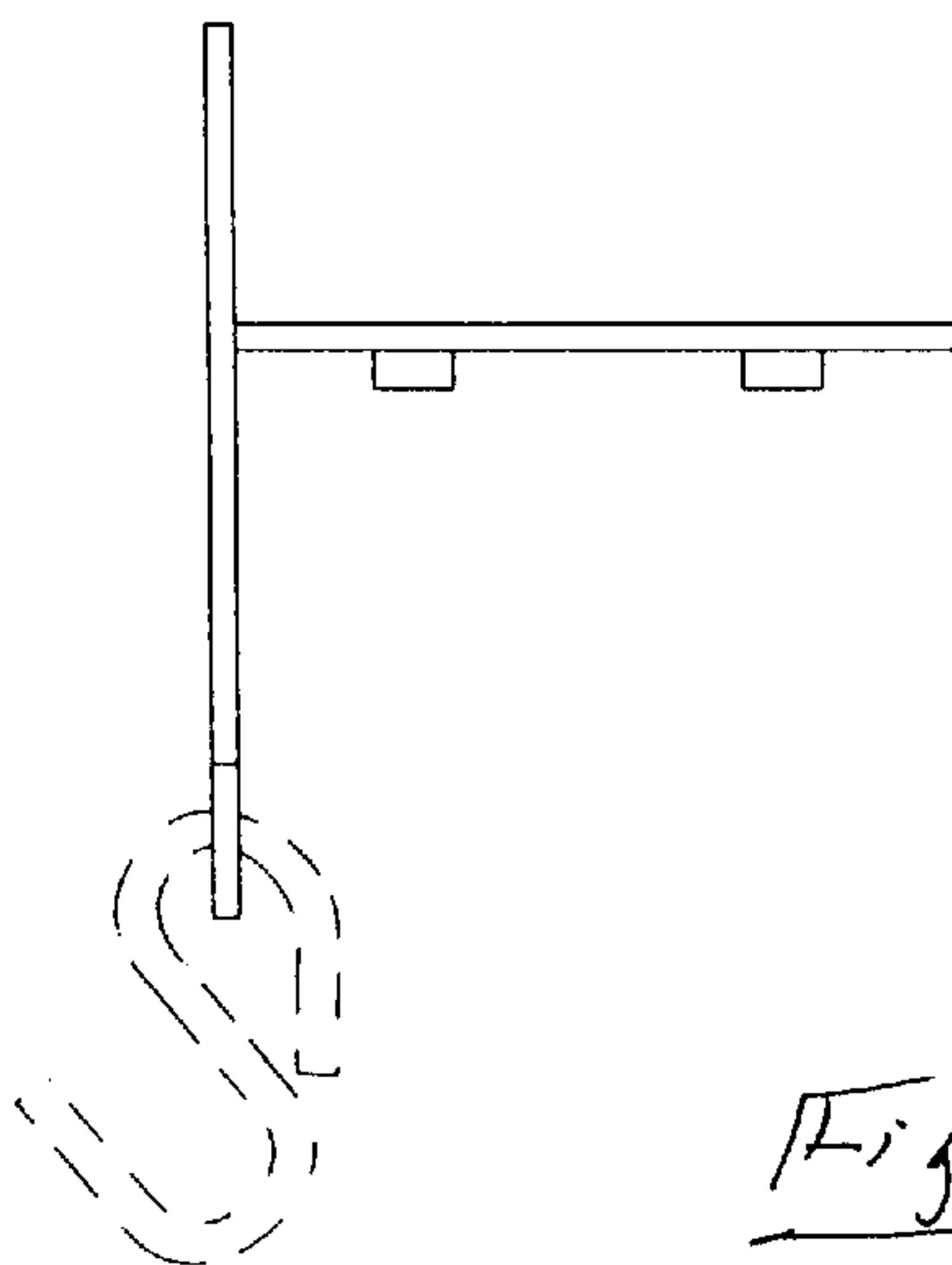


Fig-4

Fig-7

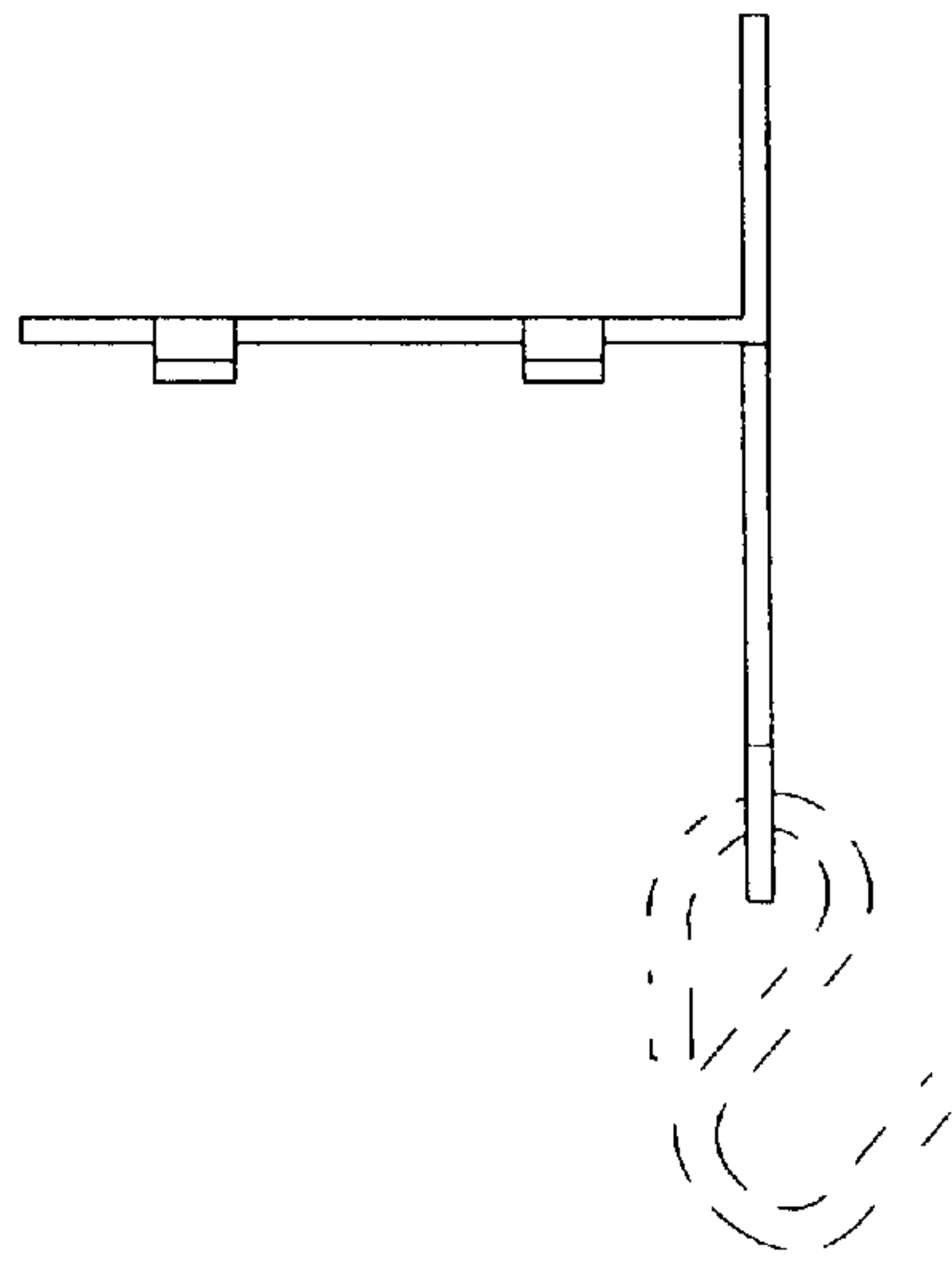


Fig-6

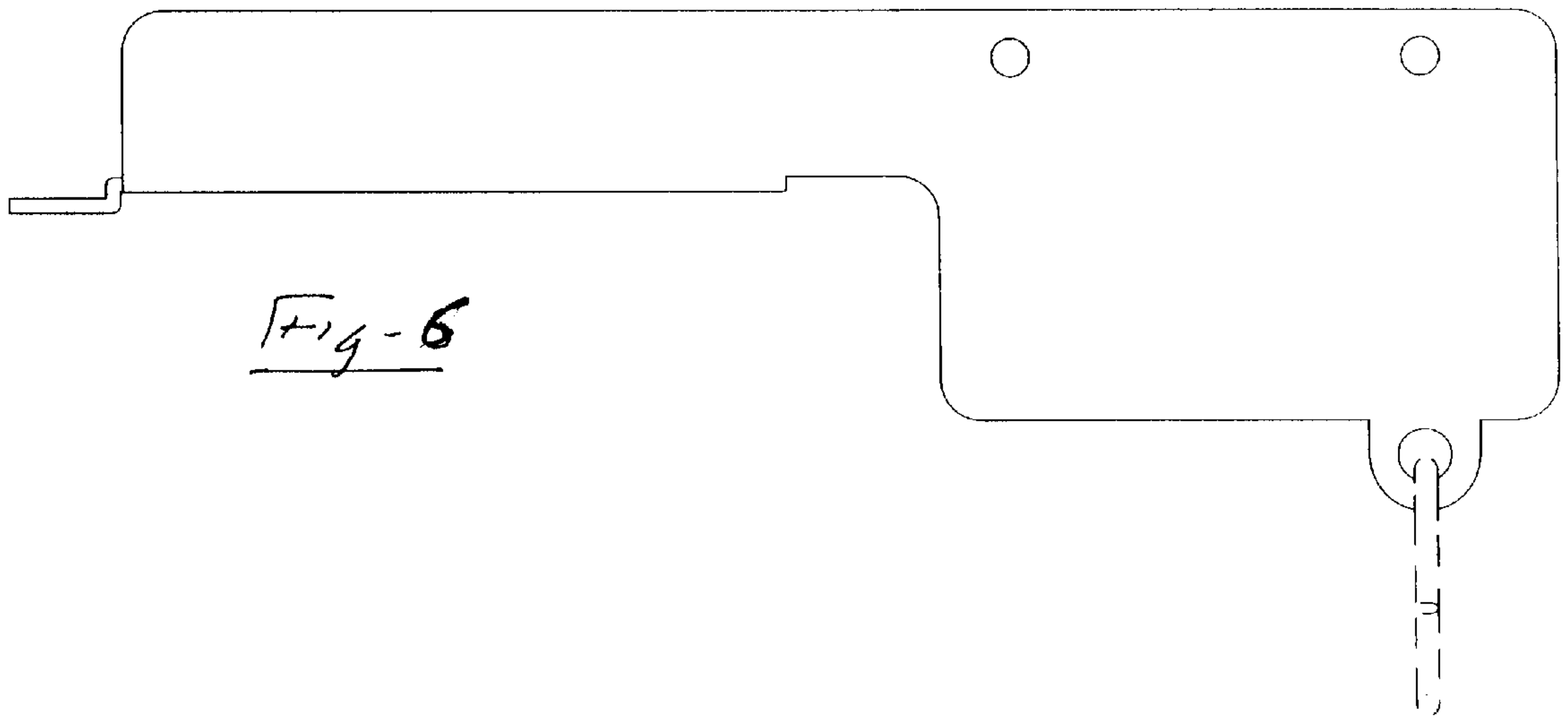
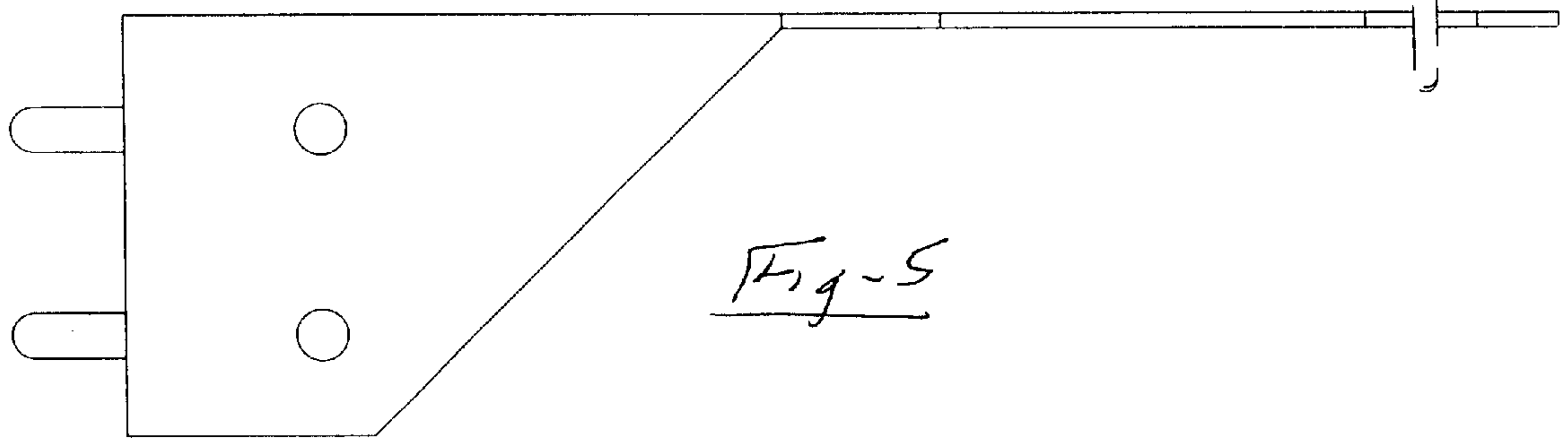


Fig-5



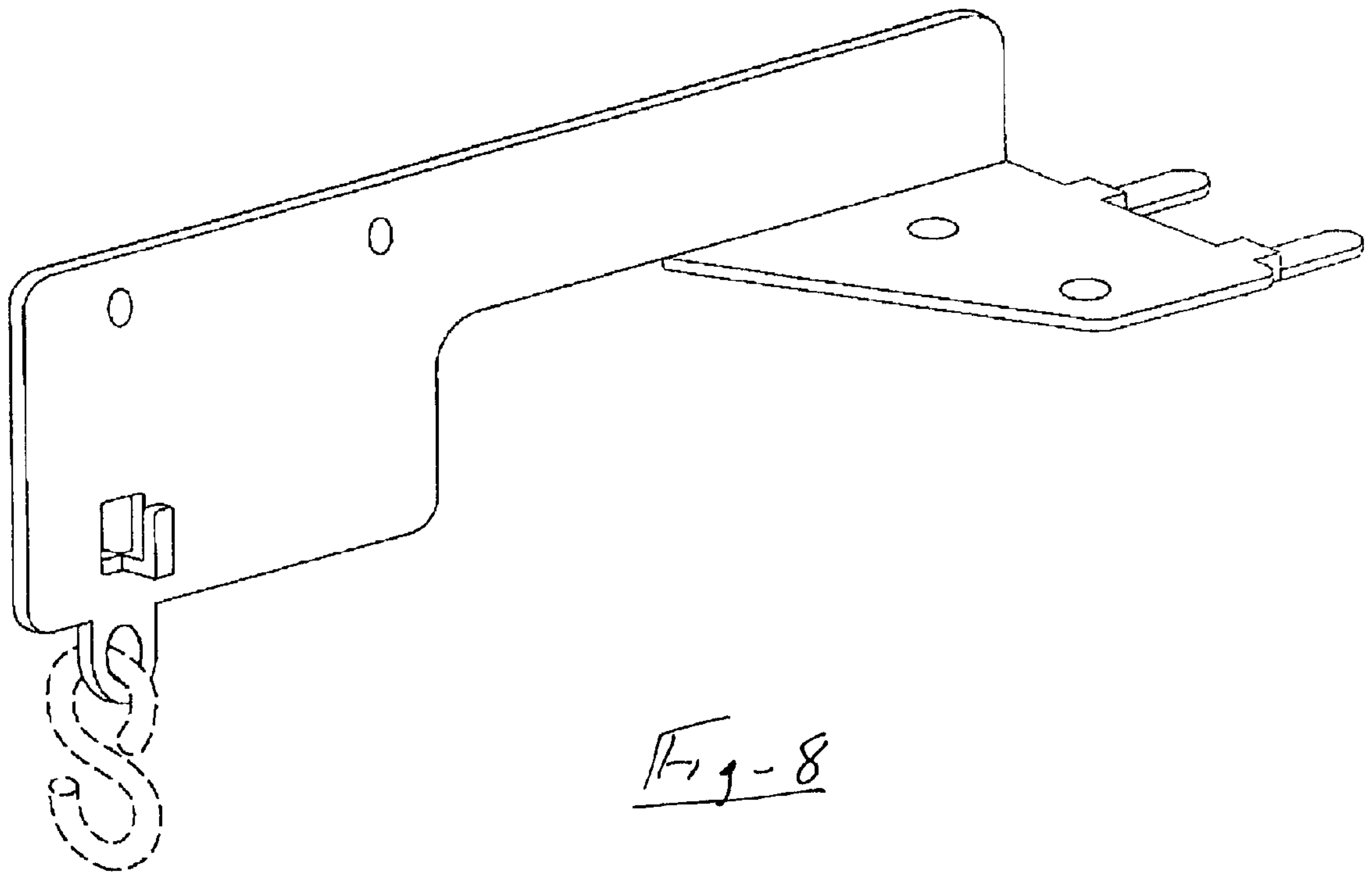


Fig-8

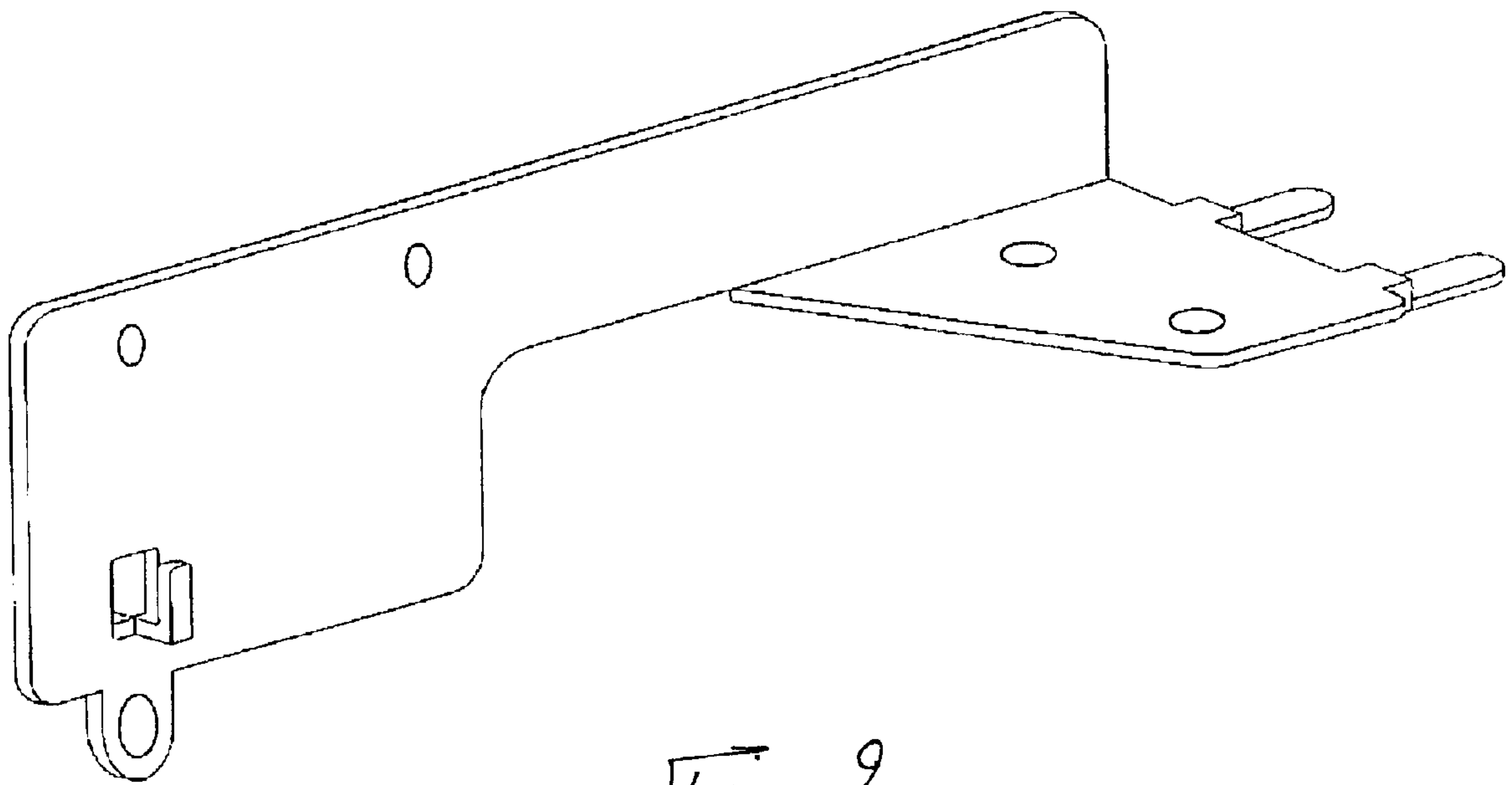


Fig-9