



US00D463250S

(12) **United States Design Patent**
Valentz

(10) **Patent No.:** **US D463,250 S**

(45) **Date of Patent:** **** Sep. 24, 2002**

(54) **PLASTIC BASE**

6,076,778 A * 6/2000 Brown 248/49
D433,615 S * 11/2000 Neider et al. D8/354
D435,430 S 12/2000 Valentz et al.

(75) Inventor: **Arthur J. Valentz**, Sugar Land, TX
(US)

OTHER PUBLICATIONS

(73) Assignee: **Portable Pipe Hangers, L.P.**, Houston,
TX (US)

Portable Pipe Hangers, Inc., Specifications For Standard
Models, "Rooftop Walkway Systems", BK 3002, BK 3003,
BK 3013, BK 3025.

(**) Term: **14 Years**

* cited by examiner

(21) Appl. No.: **29/151,326**

Primary Examiner—Doris V. Coles

(22) Filed: **Dec. 4, 2001**

Assistant Examiner—Elizabeth A. Albert

(51) **LOC (7) Cl.** **08-08**

(74) *Attorney, Agent, or Firm*—Brooks & Kushman P.C.

(52) **U.S. Cl.** **D8/349**

(57) **CLAIM**

(58) **Field of Search** D8/349, 354, 355,
D8/356, 373, 380; 248/49, 65, 237, 346.01,
346.02, 346.03, 346.04, 346.05, 346.5,
519, 523, 676, 678, 689

The ornamental design for a plastic base, as shown and
described.

DESCRIPTION

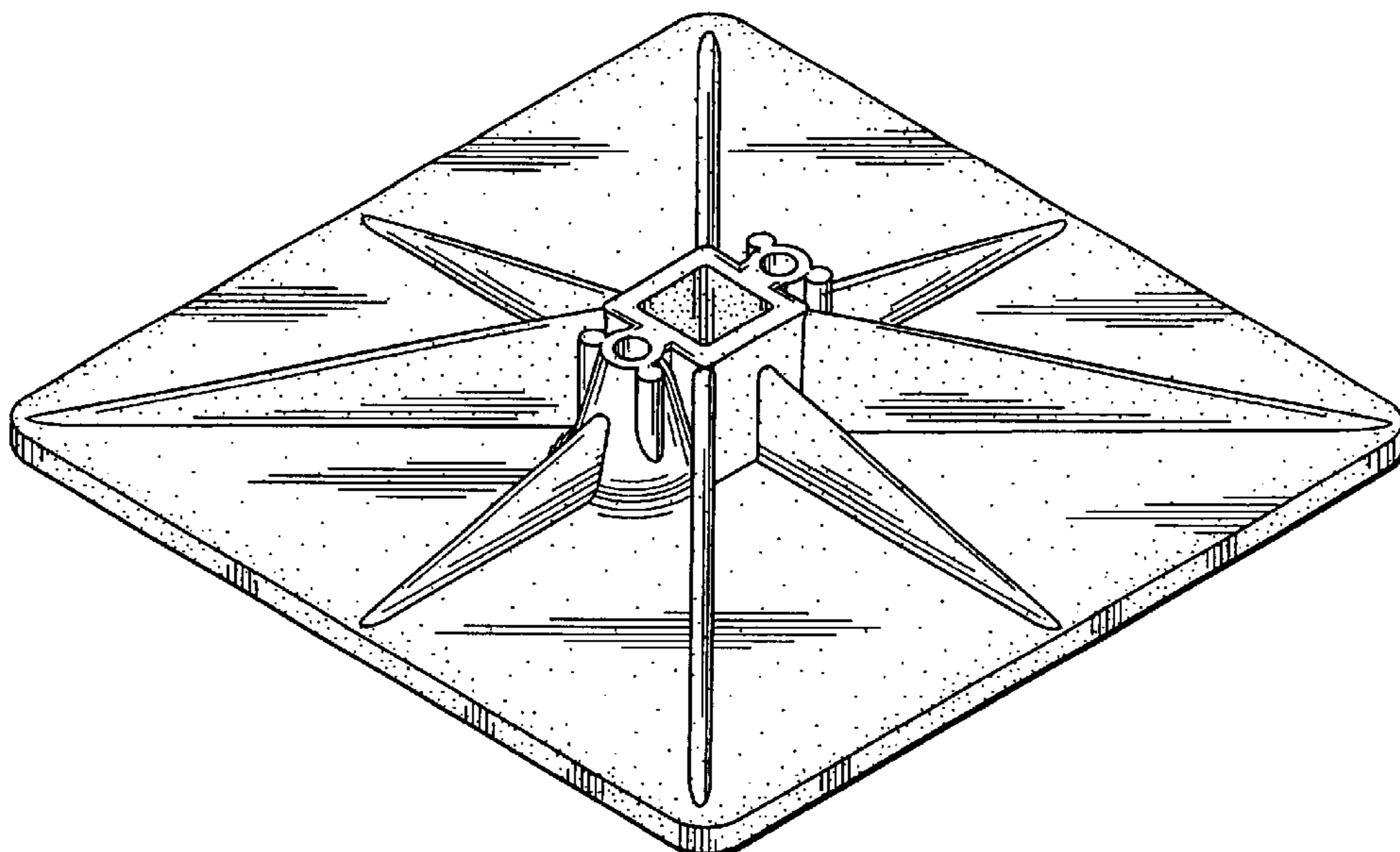
(56) **References Cited**

FIG. 1 is a perspective view of the plastic base;
FIG. 2 is a top plan view of the plastic base of FIG. 1;
FIG. 3 is a front side view of the plastic base of FIG. 1, the
rear side view being the mirror image thereof;
FIG. 4 is a right side view of the plastic base of FIG. 1, the
left side view being the mirror image thereof;
FIG. 5 is a bottom plan view of the plastic base of FIG. 1;
FIG. 6 is a perspective view of an alternative embodiment of
the plastic base;
FIG. 7 is a top plan view of the plastic base of FIG. 6;
FIG. 8 is a front side view of the plastic base of FIG. 6, the
rear side view being the mirror image thereof;
FIG. 9 is a right side view of the plastic base of FIG. 6, the
left side view being the mirror image thereof; and,
FIG. 10 is a bottom plan view of the plastic base of FIG. 6.

U.S. PATENT DOCUMENTS

827,575 A	7/1906	Smead	
4,078,757 A	* 3/1978	Waters 248/158
4,502,653 A	3/1985	Curtis, Jr.	
4,513,934 A	4/1985	Pruyne	
5,197,819 A	3/1993	Hughes	
5,217,191 A	6/1993	Smith	
5,685,508 A	11/1997	Smith	
5,743,505 A	4/1998	Sofy	
5,816,554 A	10/1998	McCracken	
5,829,718 A	11/1998	Smith	
5,901,525 A	5/1999	Doeringer et al.	
5,946,867 A	9/1999	Snider, Jr. et al.	
6,015,139 A	1/2000	Weber	
6,017,005 A	1/2000	Smith	
D427,049 S	6/2000	Neider et al.	

1 Claim, 4 Drawing Sheets



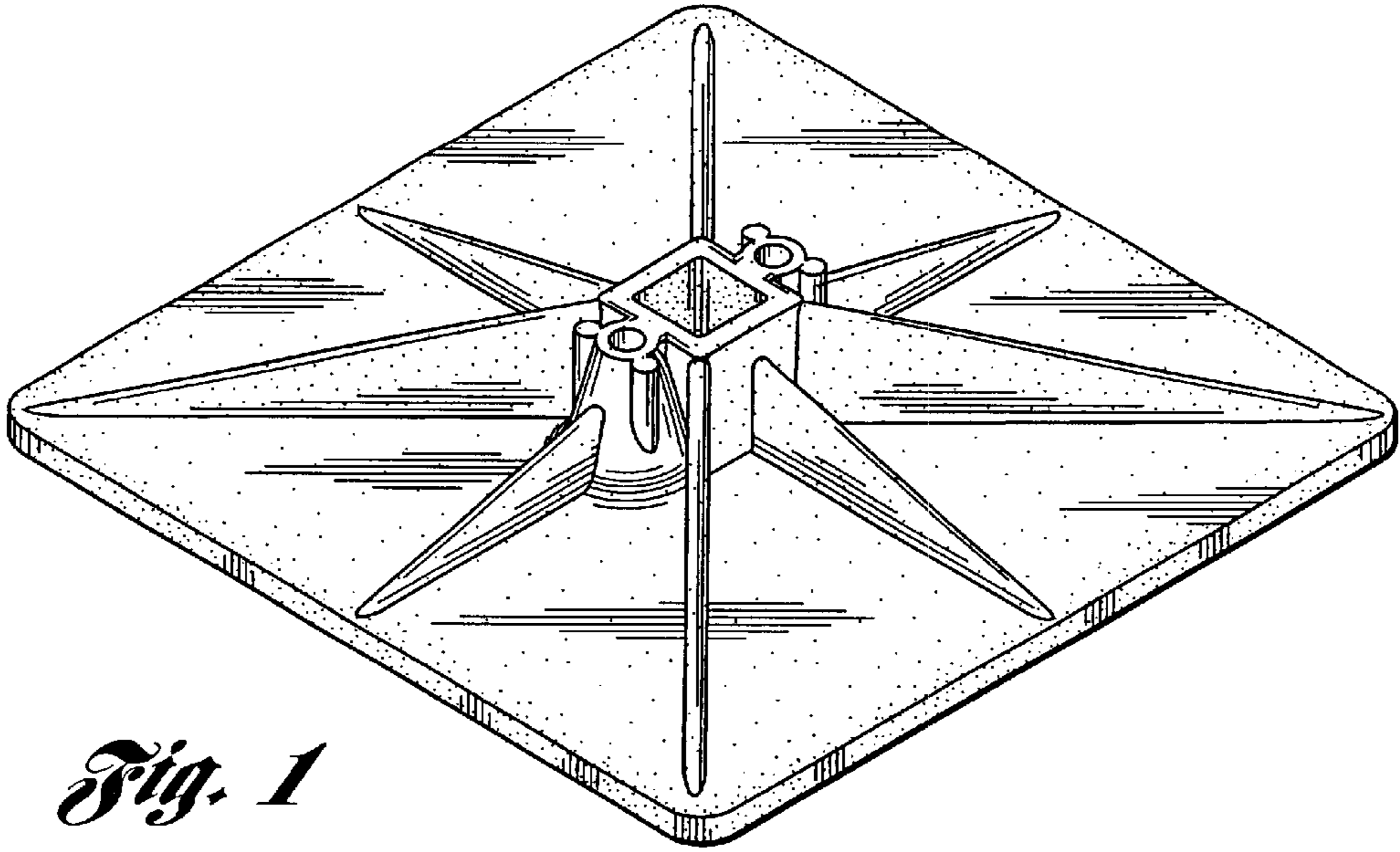


Fig. 1

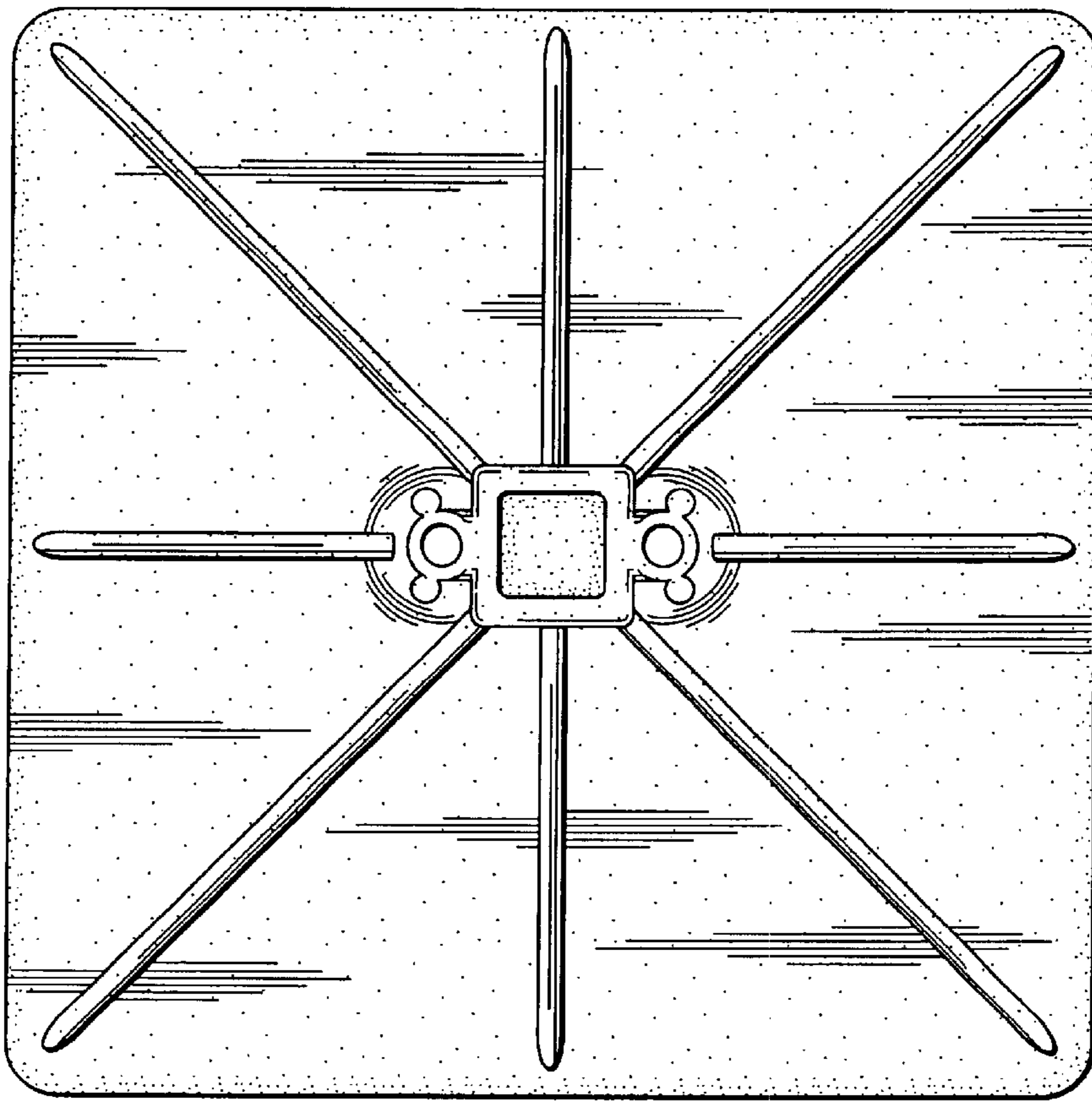


Fig. 2

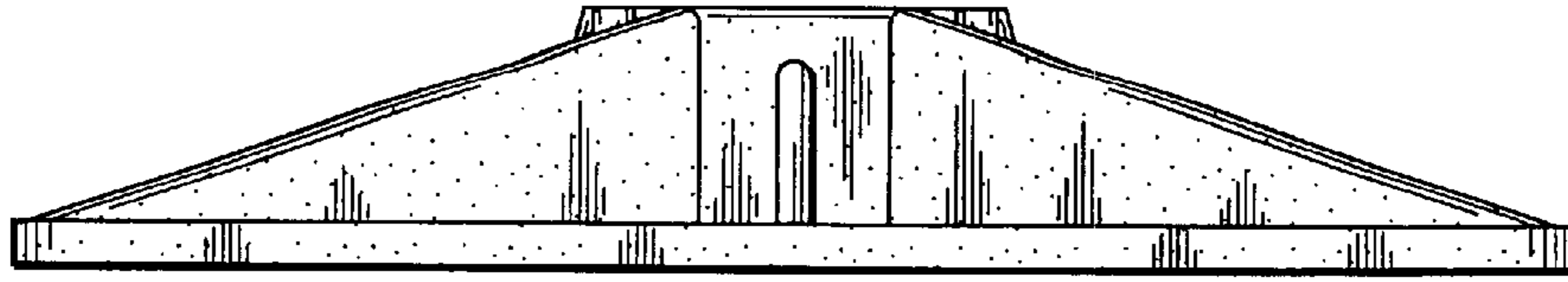


Fig. 3

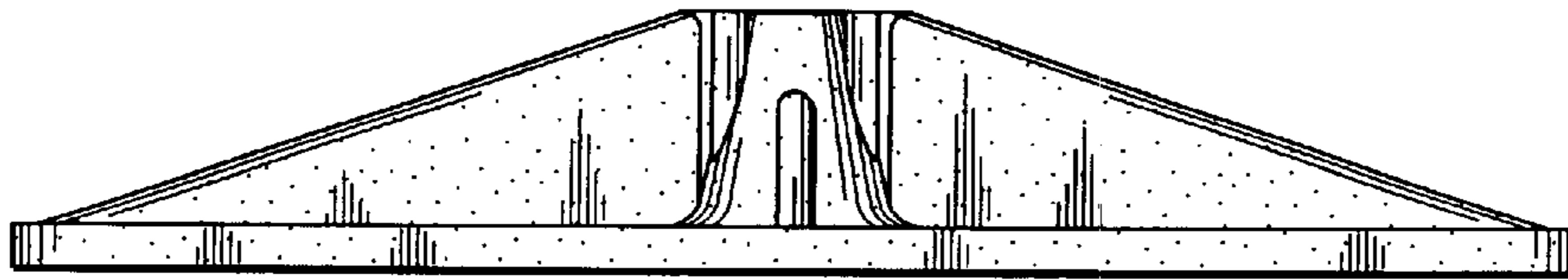


Fig. 4

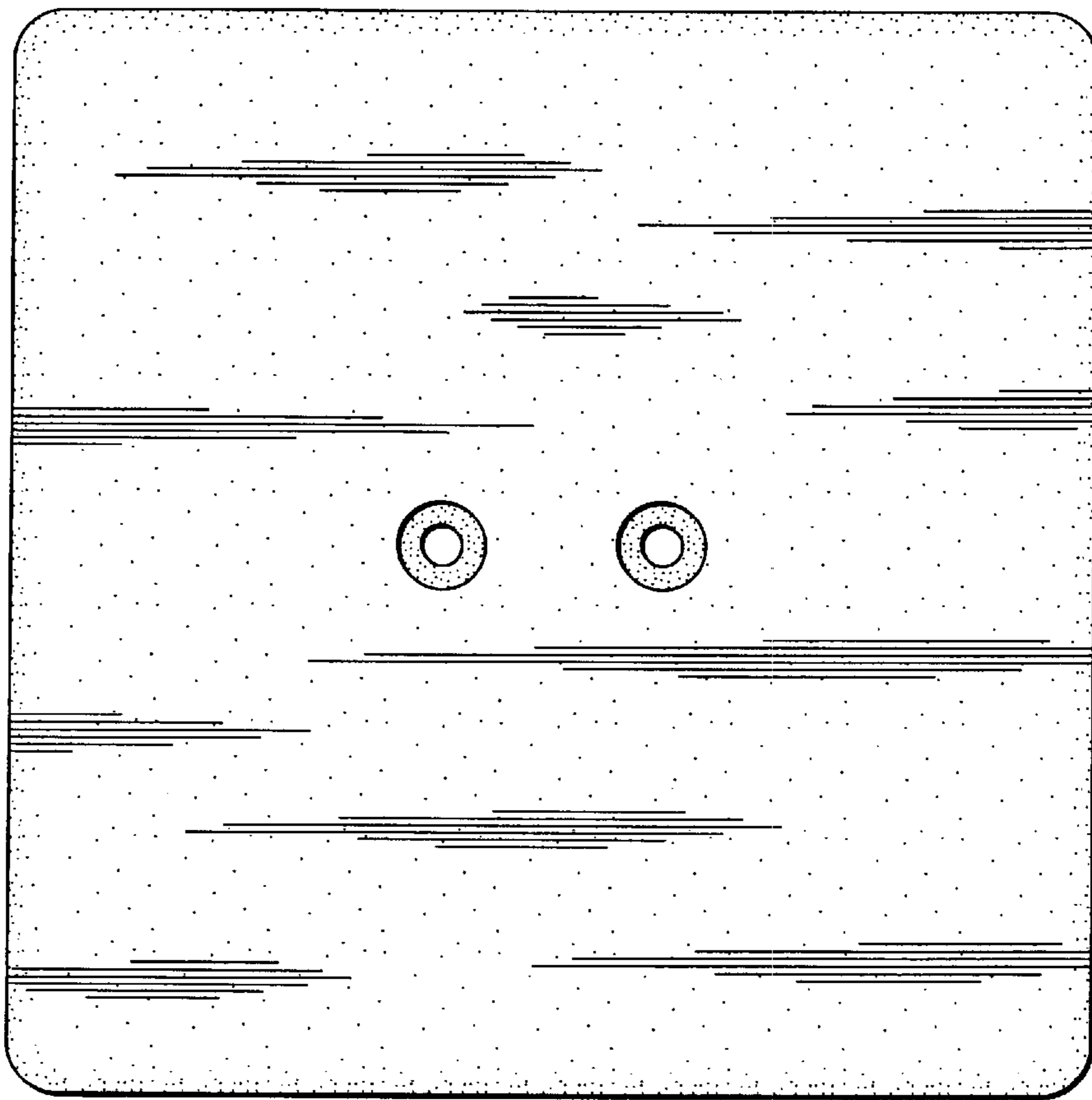


Fig. 5

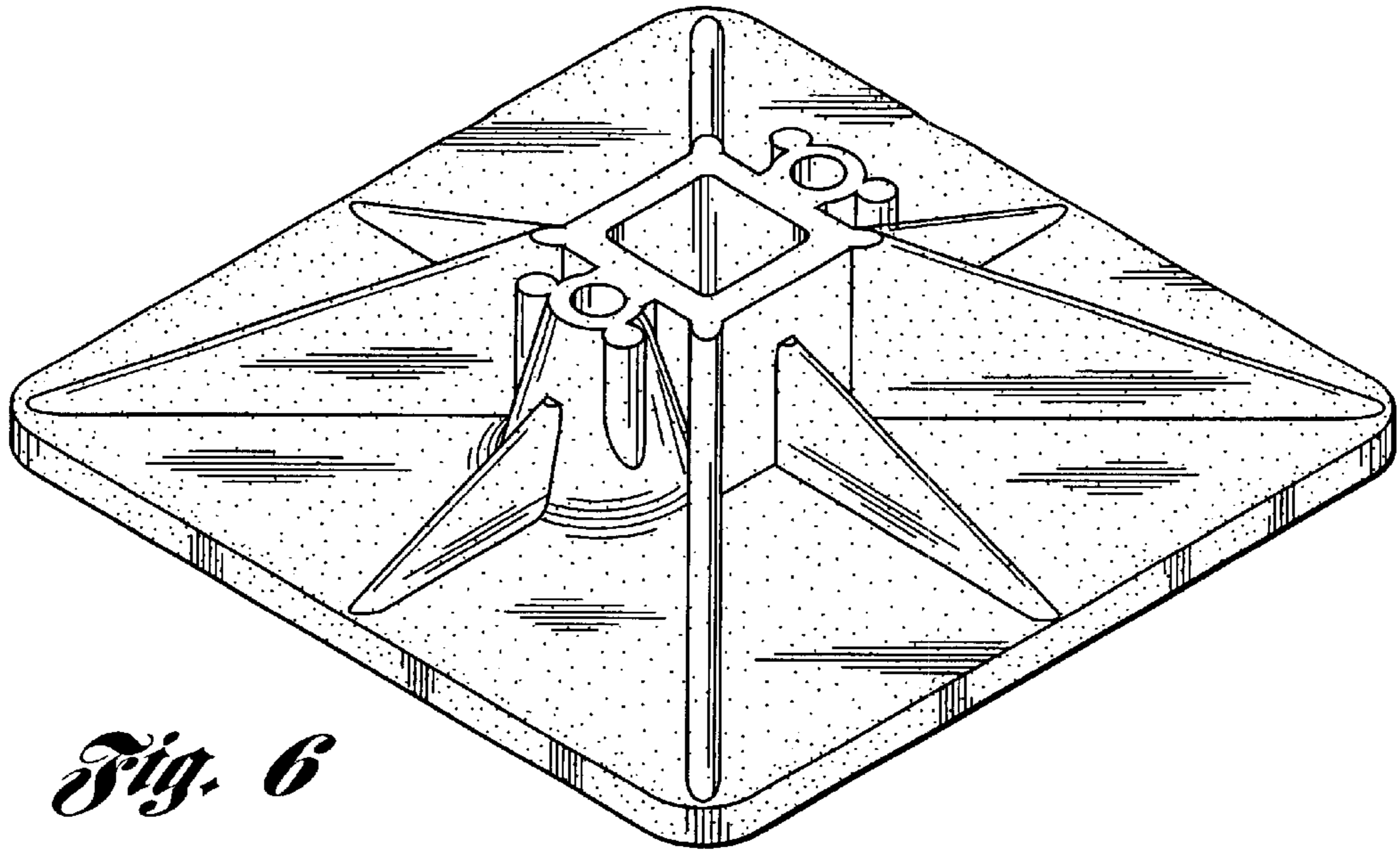


Fig. 6

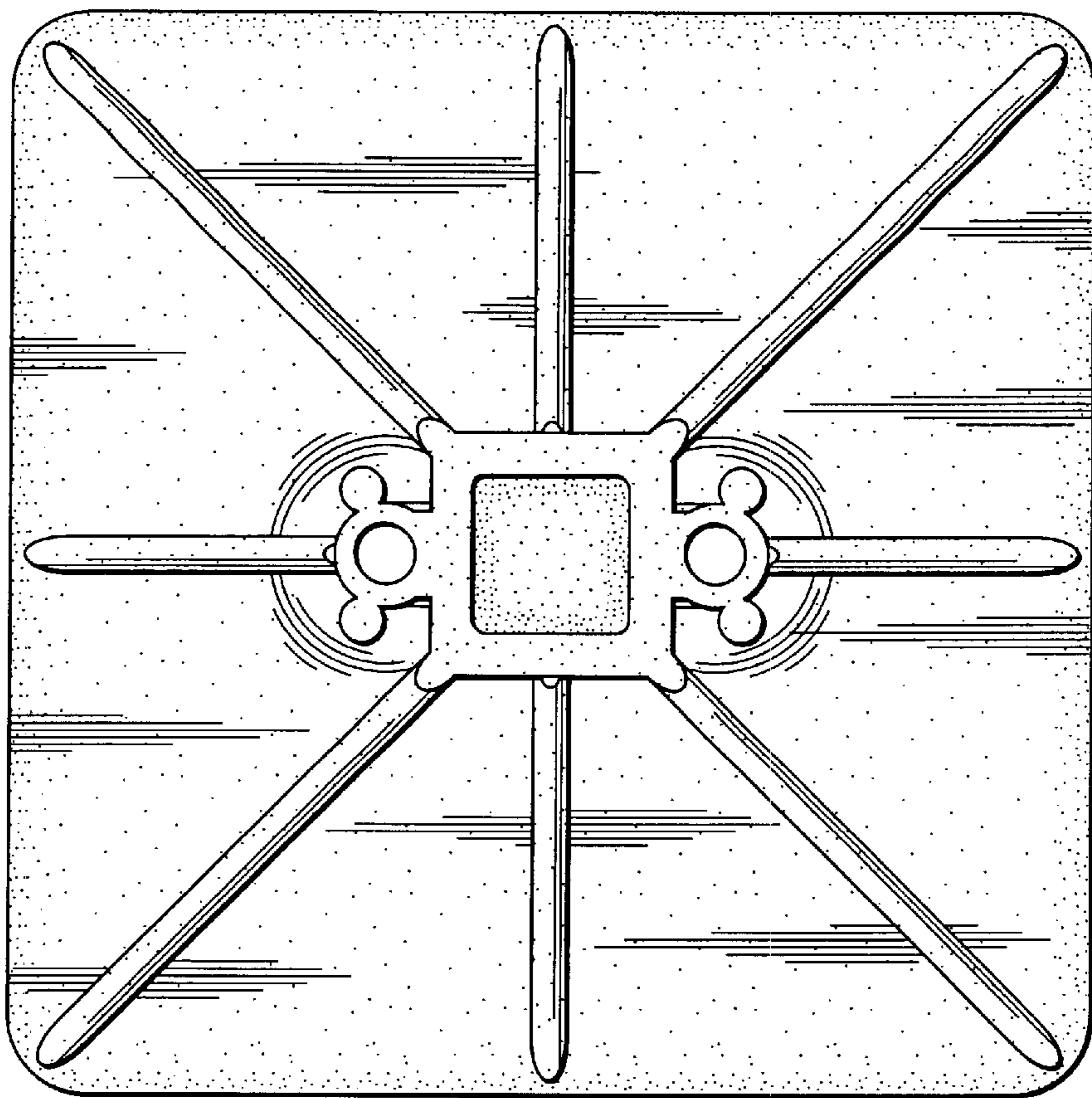


Fig. 7

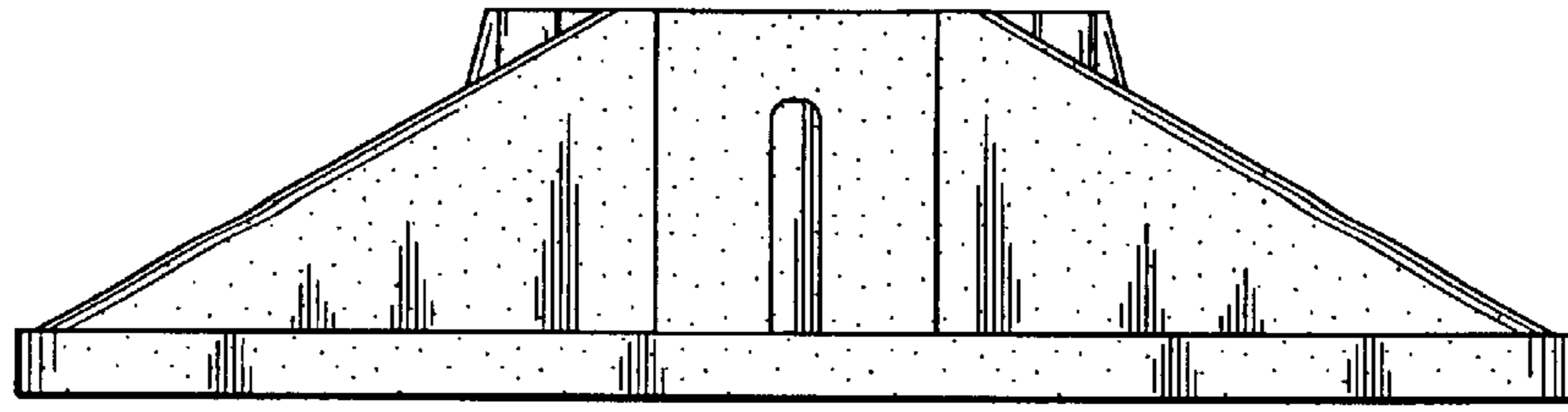


Fig. 8

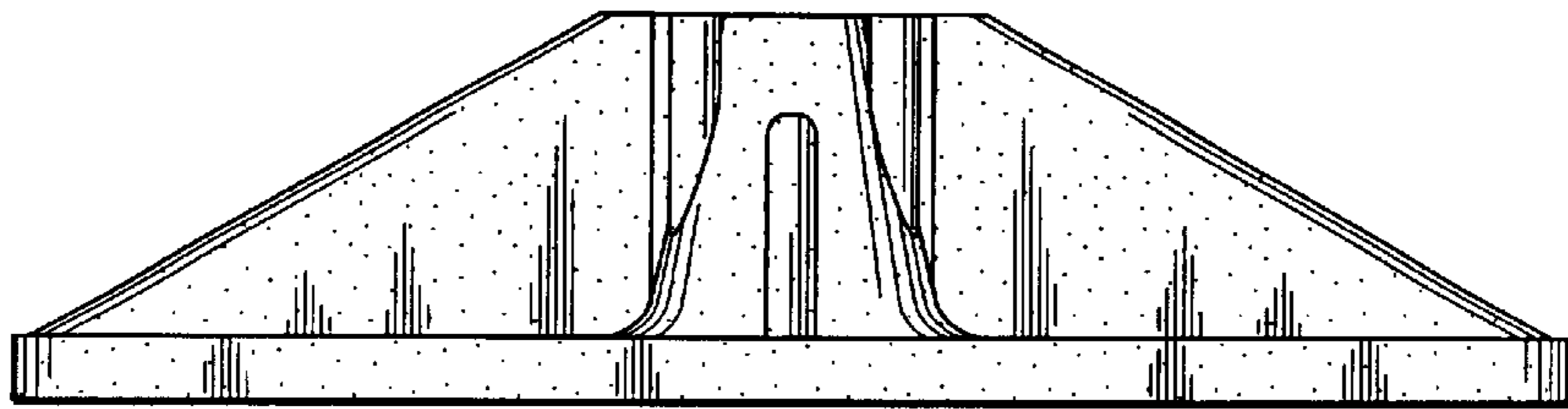


Fig. 9

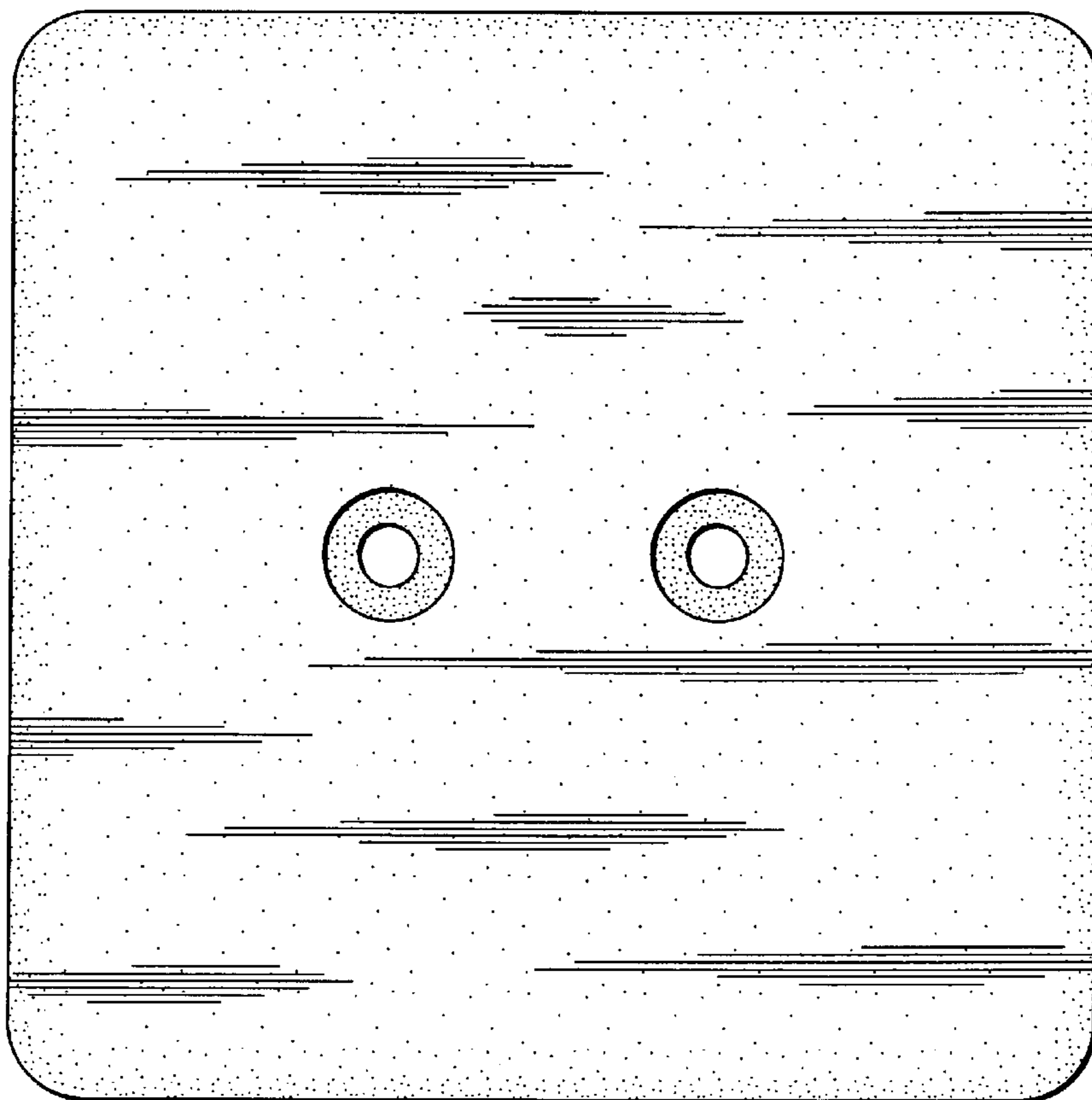


Fig. 10