



US00D463249S

(12) **United States Design Patent**  
**Häggröm**

(10) **Patent No.:** **US D463,249 S**

(45) **Date of Patent:** **\*\* Sep. 24, 2002**

(54) **KEY BIT**

(75) Inventor: **Åke Häggröm**, Lycksele (SE)

(73) Assignee: **ASSA AB**, Eskilstuna (SE)

(\*\*) Term: **14 Years**

(21) Appl. No.: **29/152,493**

(22) Filed: **Dec. 26, 2001**

(30) **Foreign Application Priority Data**

Jun. 26, 2001 (SE) ..... 01-1077

(51) **LOC (7) Cl.** ..... **08-07**

(52) **U.S. Cl.** ..... **D8/347**

(58) **Field of Search** ..... D8/347, 348; 70/393,  
70/402, 405, 406, 408

(56) **References Cited**

**U.S. PATENT DOCUMENTS**

D278,880 S \* 5/1985 Widen ..... D8/347  
D335,253 S \* 5/1993 Eizen ..... D8/347

D361,031 S \* 8/1995 Marthaler ..... D8/347  
D368,846 S \* 4/1996 Myers et al. .... D8/347  
D370,169 S \* 5/1996 Widen ..... D8/347

\* cited by examiner

*Primary Examiner*—Brian N. Vinson

(74) *Attorney, Agent, or Firm*—Sughrue Mion, PLLC

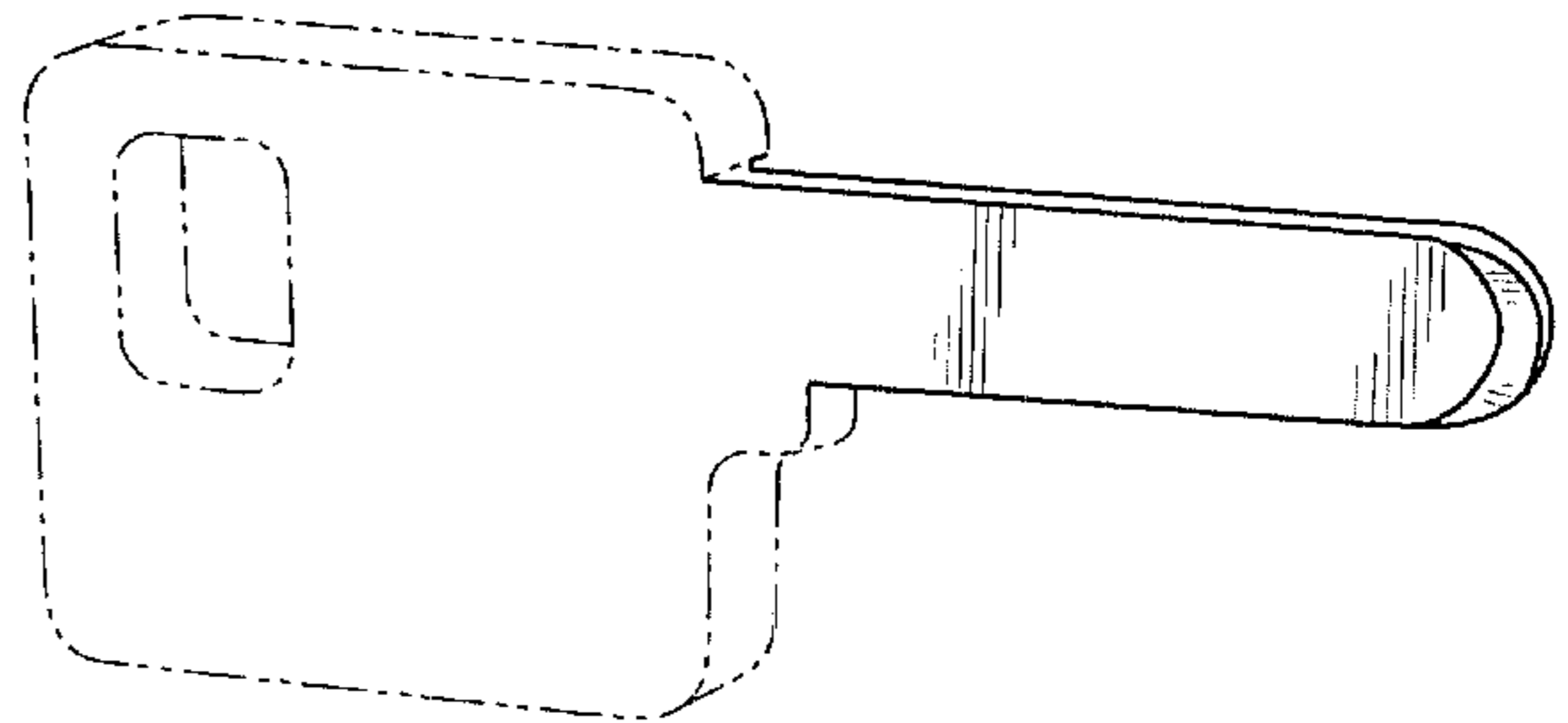
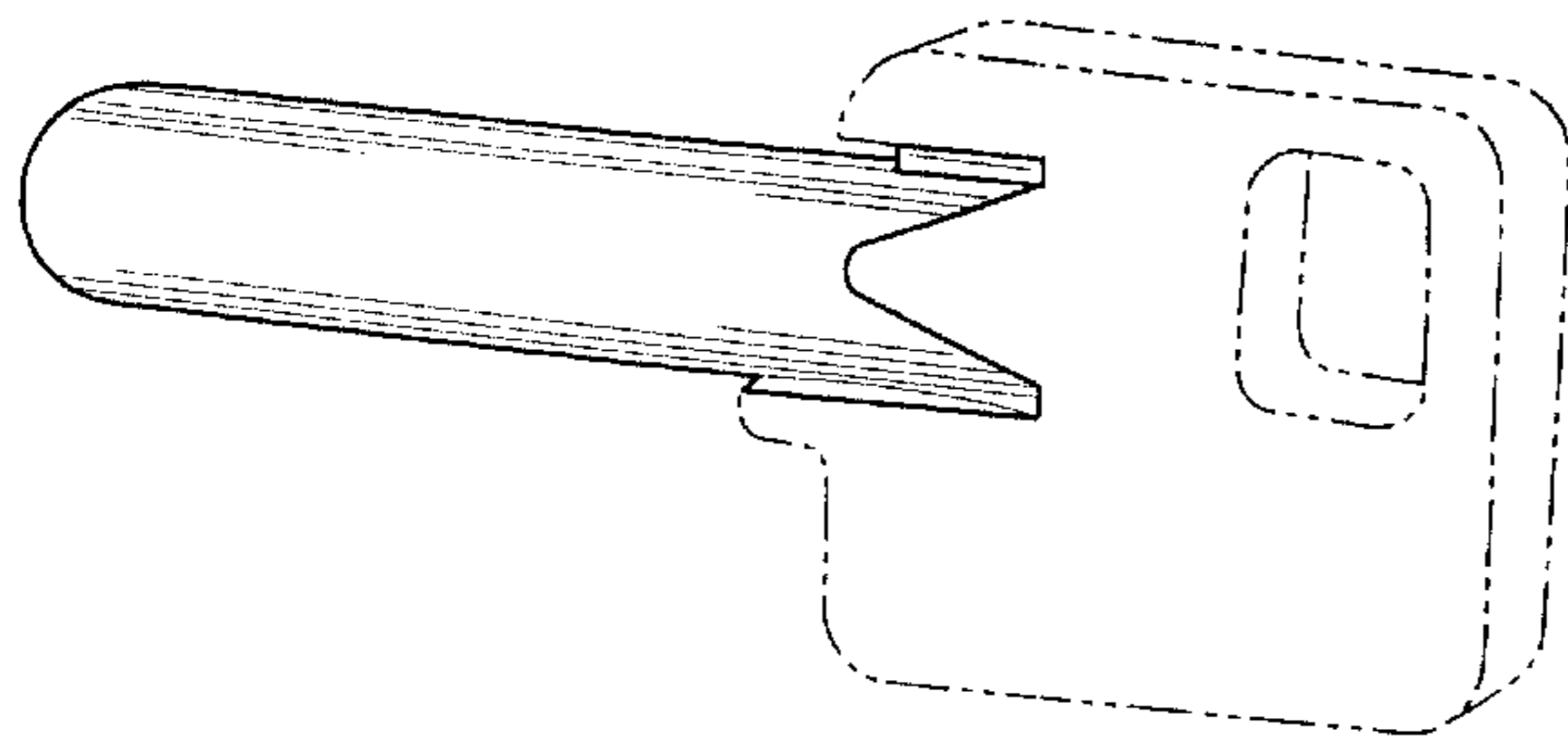
(57) **CLAIM**

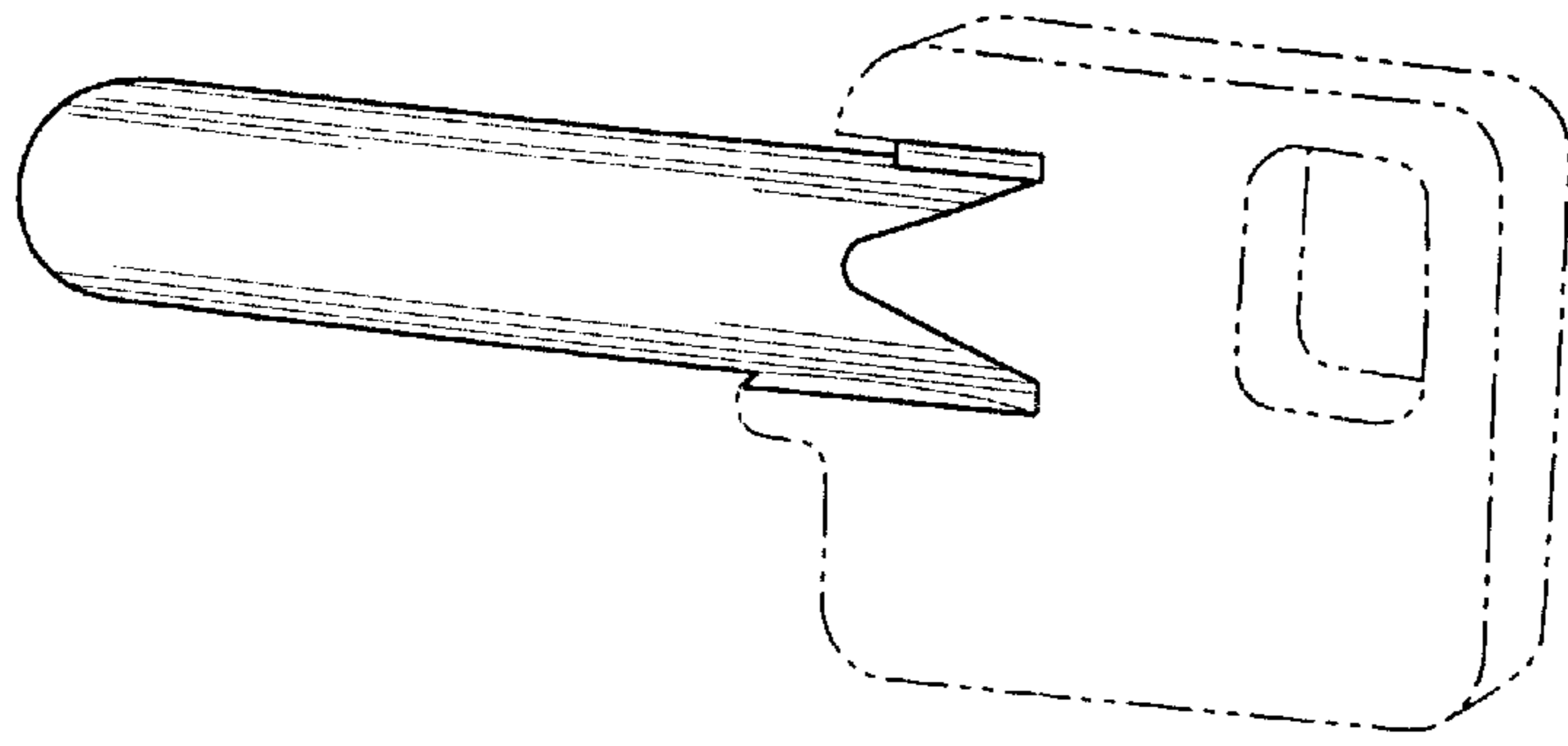
The ornamental design for a key bit, as shown and described.

**DESCRIPTION**

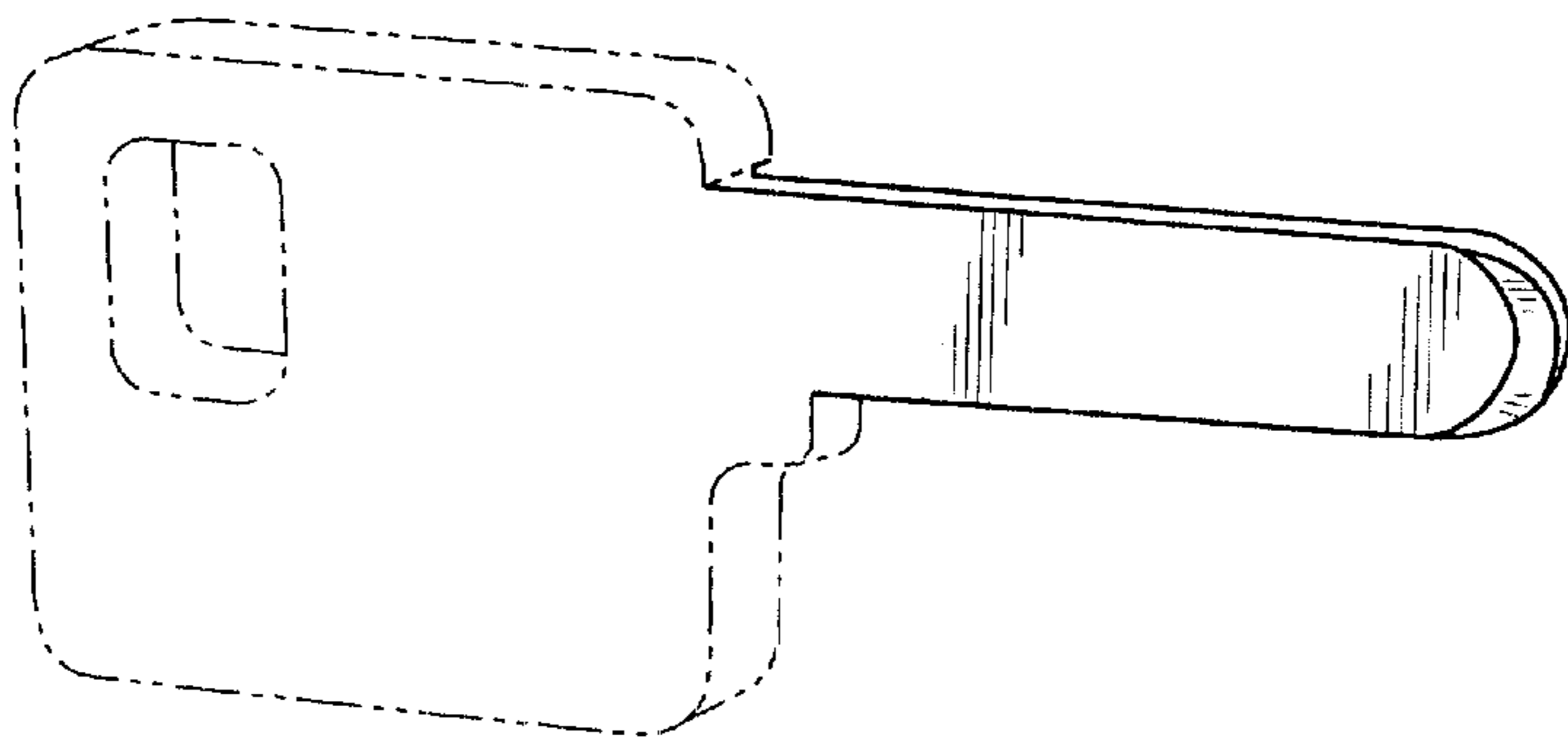
FIG. 1 is a perspective view of the front, one side and one end of a key bit showing my new design;  
FIG. 2 is a perspective view of the rear, opposite side and opposite end thereof;  
FIG. 3 is a side elevational view thereof, the opposite side being a mirror image thereof; and,  
FIG. 4 is an end elevational view of said opposite end.  
The portions of the key shown in phantom lines do not constitute a part of the claimed design.

**1 Claim, 1 Drawing Sheet**

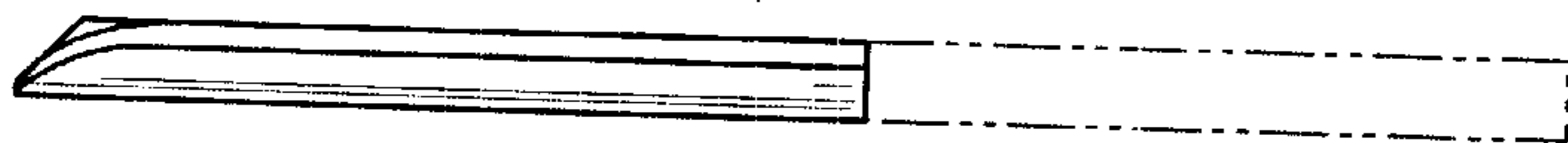




*Fig. 1*



*Fig. 2*



*Fig. 3*



*Fig. 4*