



US00D463248S

(12) **United States Design Patent**
Rafferty

(10) **Patent No.:** **US D463,248 S**

(45) **Date of Patent:** **** Sep. 24, 2002**

(54) **HOUSING FOR METER BOX LOCK ASSEMBLY**

(75) Inventor: **Robert E. Rafferty**, Rutland, MA (US)

(73) Assignee: **Inner-Tite Corp.**, Holden, MA (US)

(**) Term: **14 Years**

(21) Appl. No.: **29/138,281**

(22) Filed: **Mar. 9, 2001**

(51) **LOC (7) Cl.** **08-07**

(52) **U.S. Cl.** **D8/344; D8/343**

(58) **Field of Search** **D8/330, 331, 339, D8/341, 343, 344; 292/137, 288, 289, 340; 70/57, 58, 77, 431**

(56) **References Cited**

U.S. PATENT DOCUMENTS

- D346,372 S * 4/1994 Abbott D8/343 X
- D350,686 S * 9/1994 Myers D8/343
- D384,875 S * 10/1997 Sayler et al. D8/339

* cited by examiner

Primary Examiner—Brian N. Vinson
(74) *Attorney, Agent, or Firm*—Samuels, Gauthier & Stevens

(57) **CLAIM**

The ornamental design for a housing for meter box lock assembly, as shown and described.

DESCRIPTION

FIG. 1 is a perspective view of a housing for meter box lock assembly, showing my new design, as mounted on a meter box which is shown in broken lines to indicate that it forms no part of the claimed design;

FIG. 2 is an enlarged perspective view thereof;

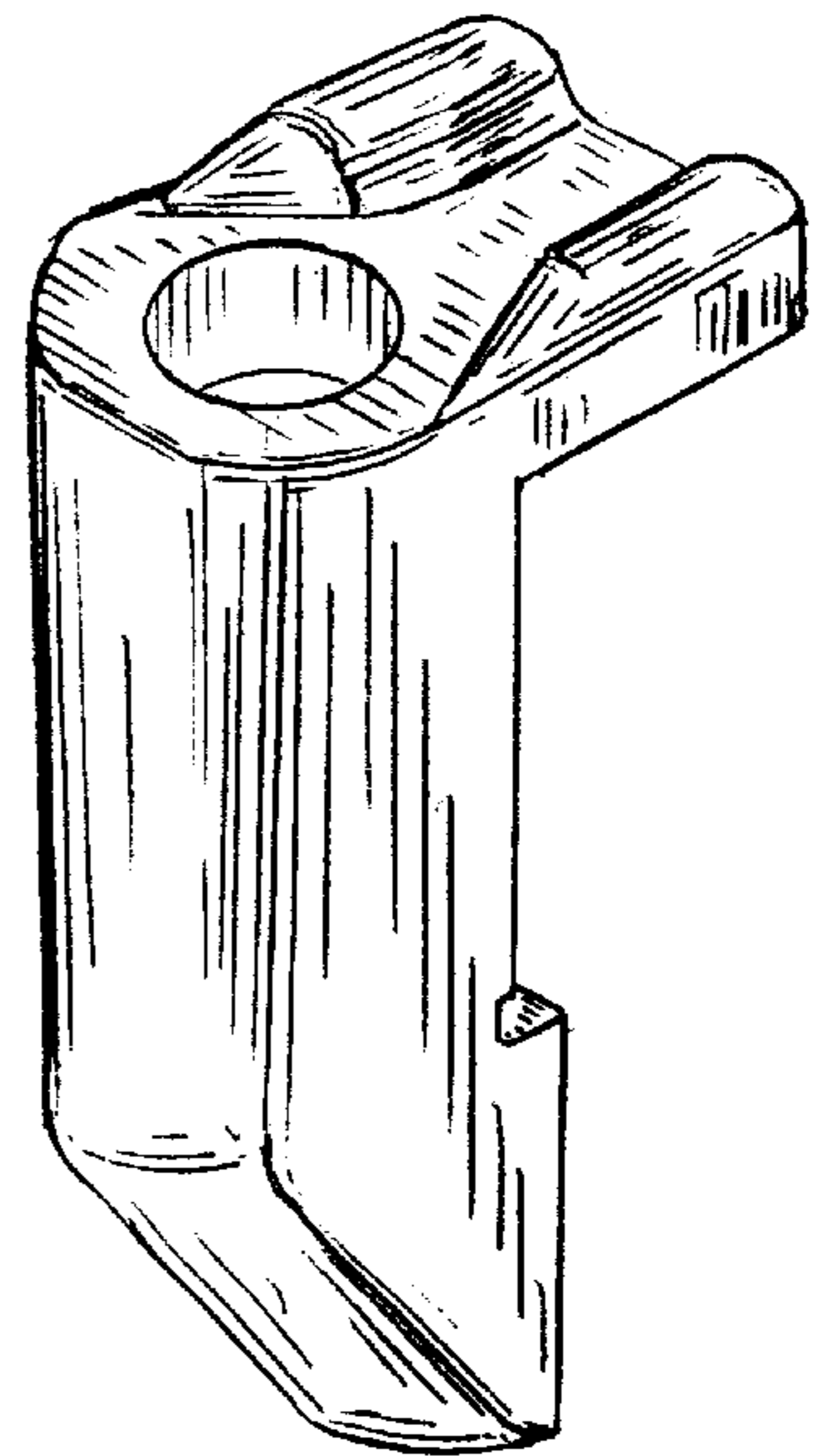
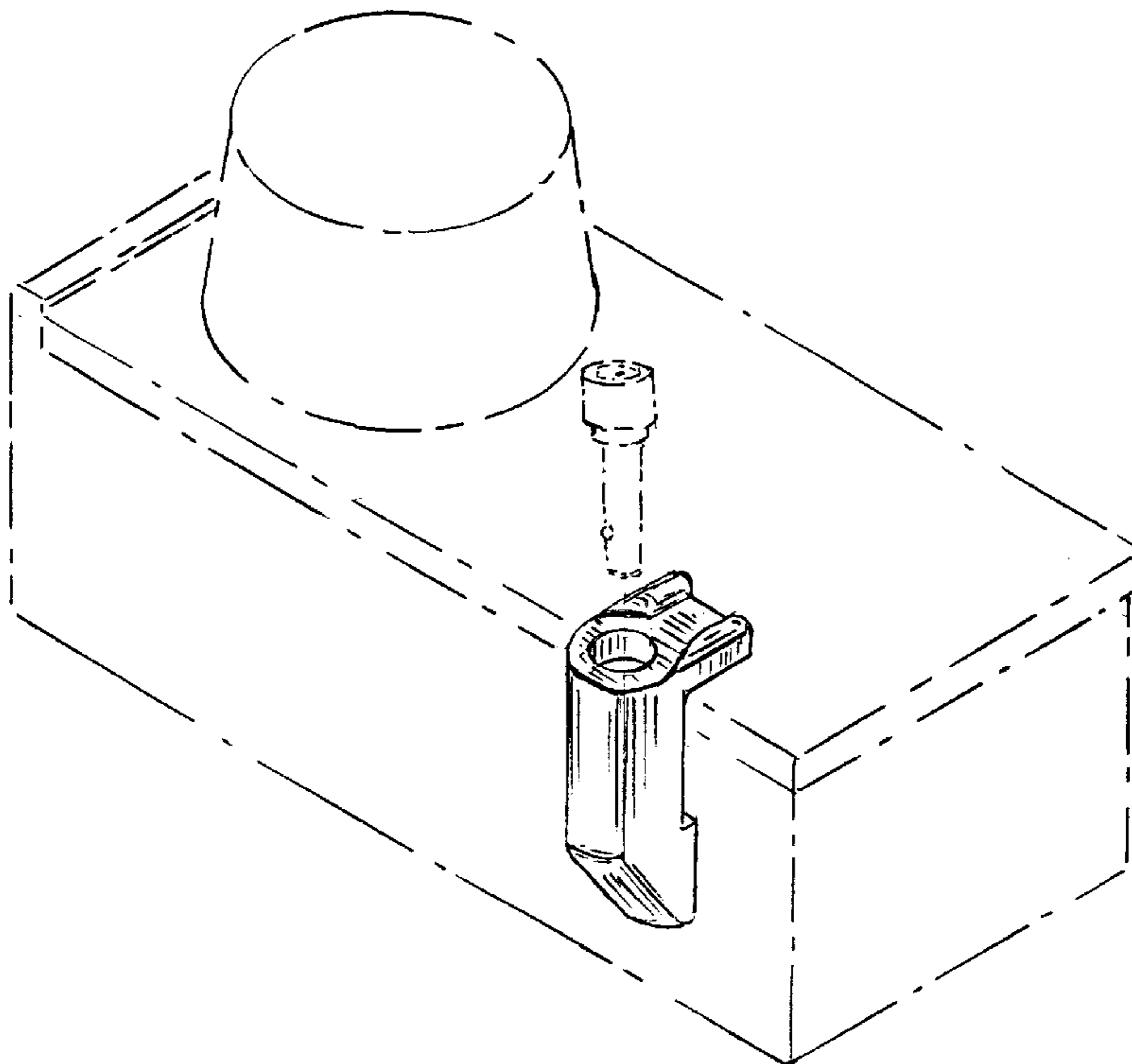
FIG. 3 is a top plan view thereof;

FIG. 4 is a side view thereof, the opposite side being a mirror image;

FIG. 5 is a front view thereof; and,

FIG. 6 is a bottom view thereof.

1 Claim, 2 Drawing Sheets



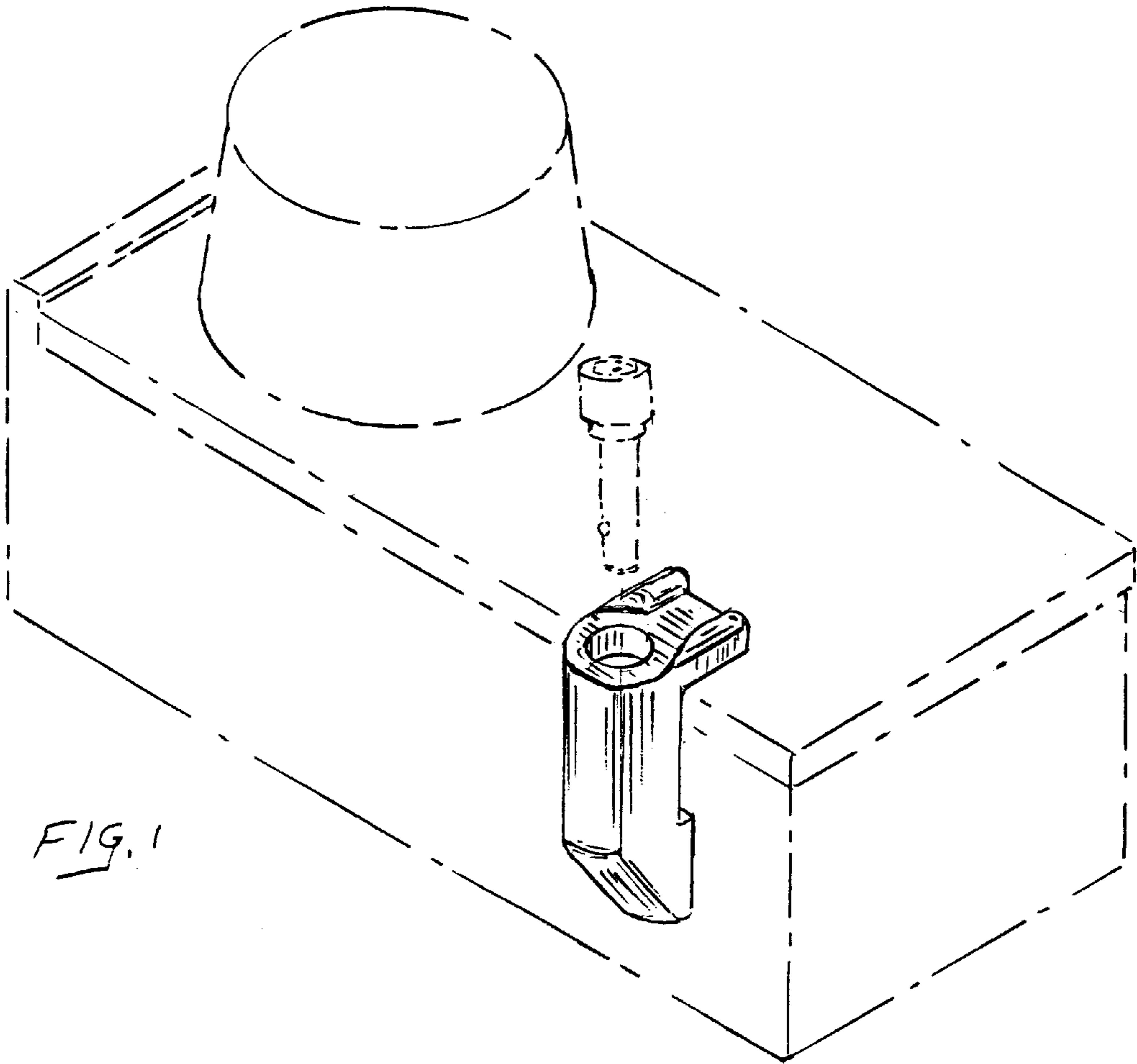


FIG. 1

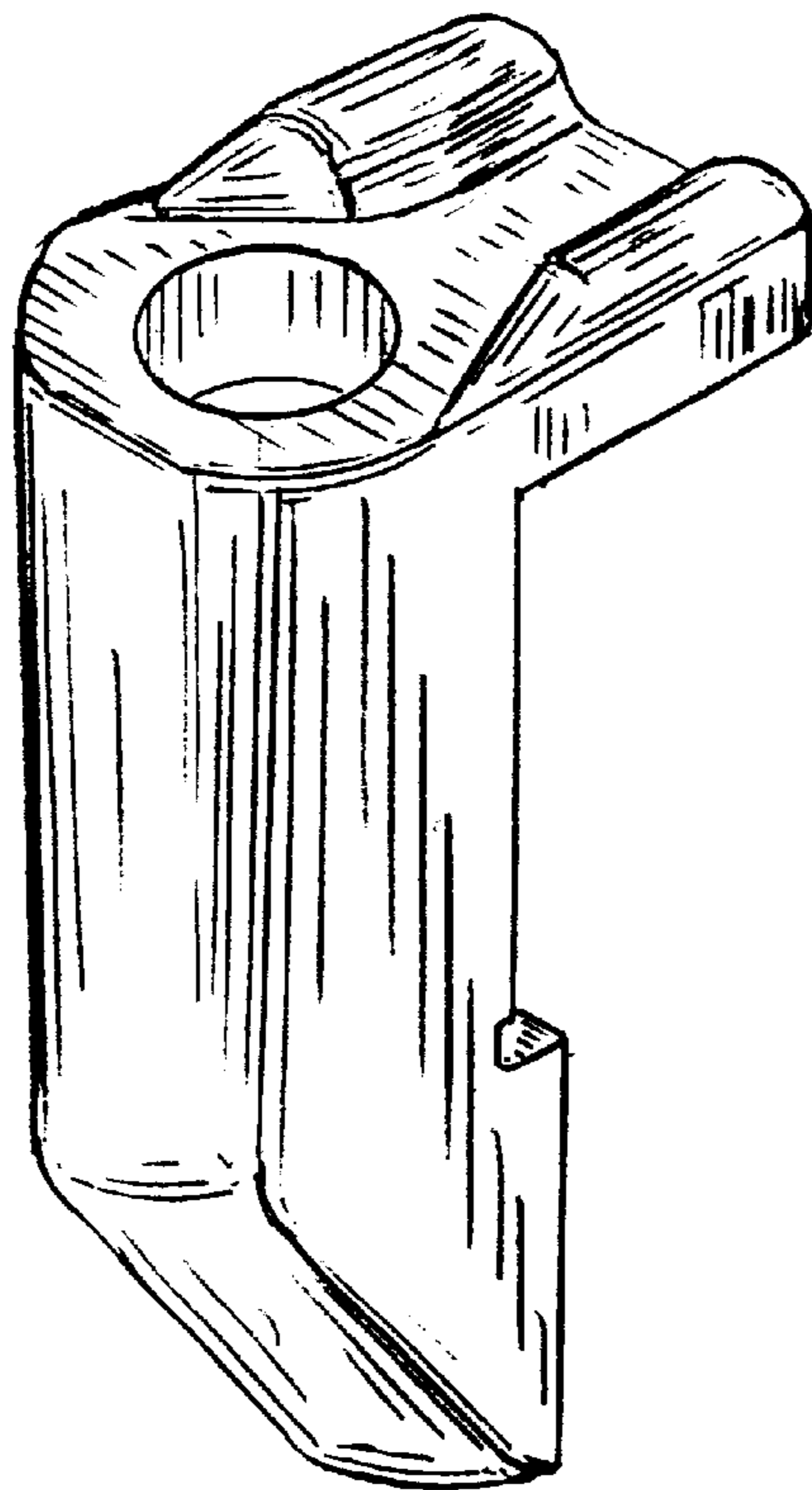


FIG. 2

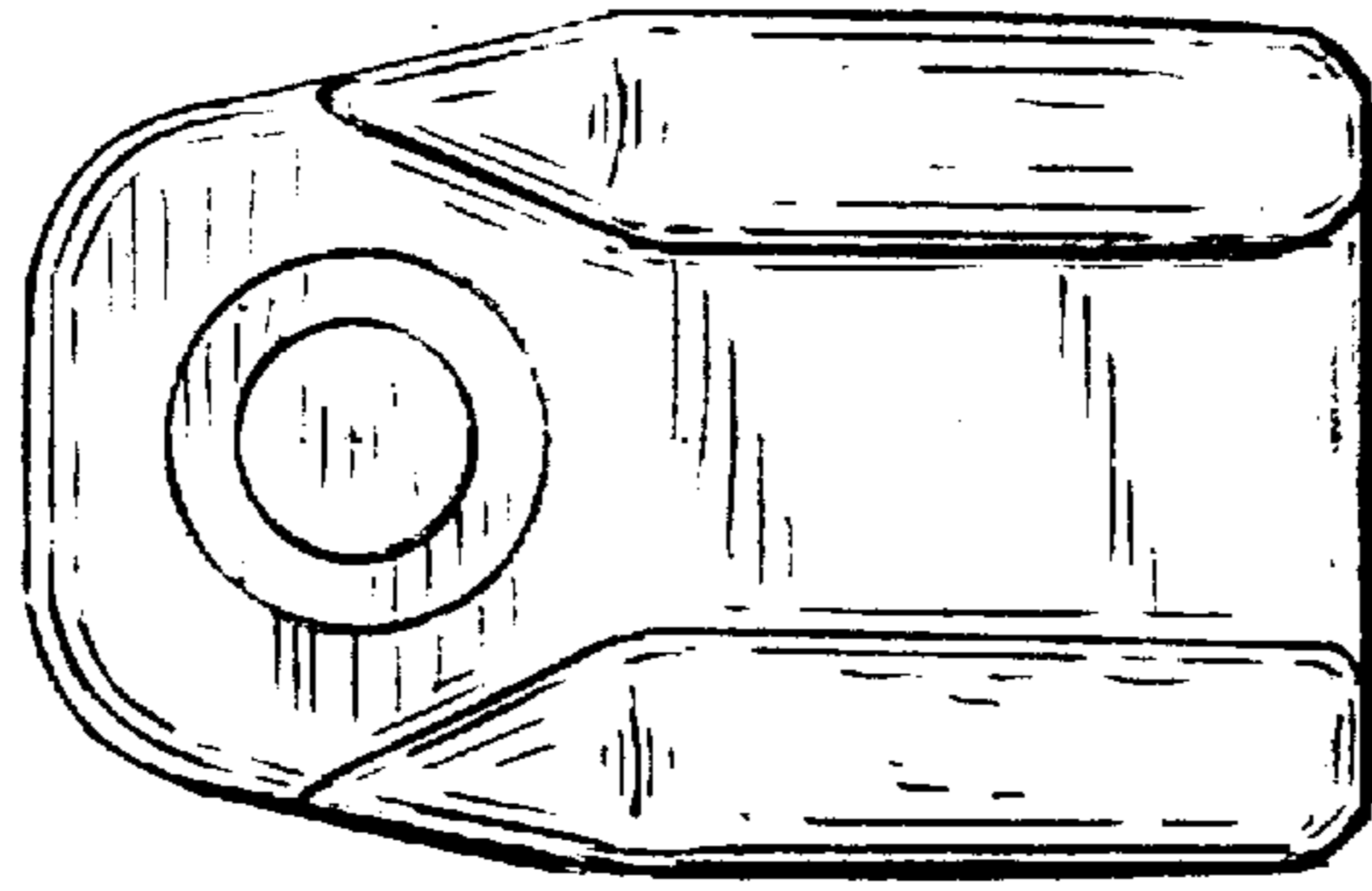


FIG. 3

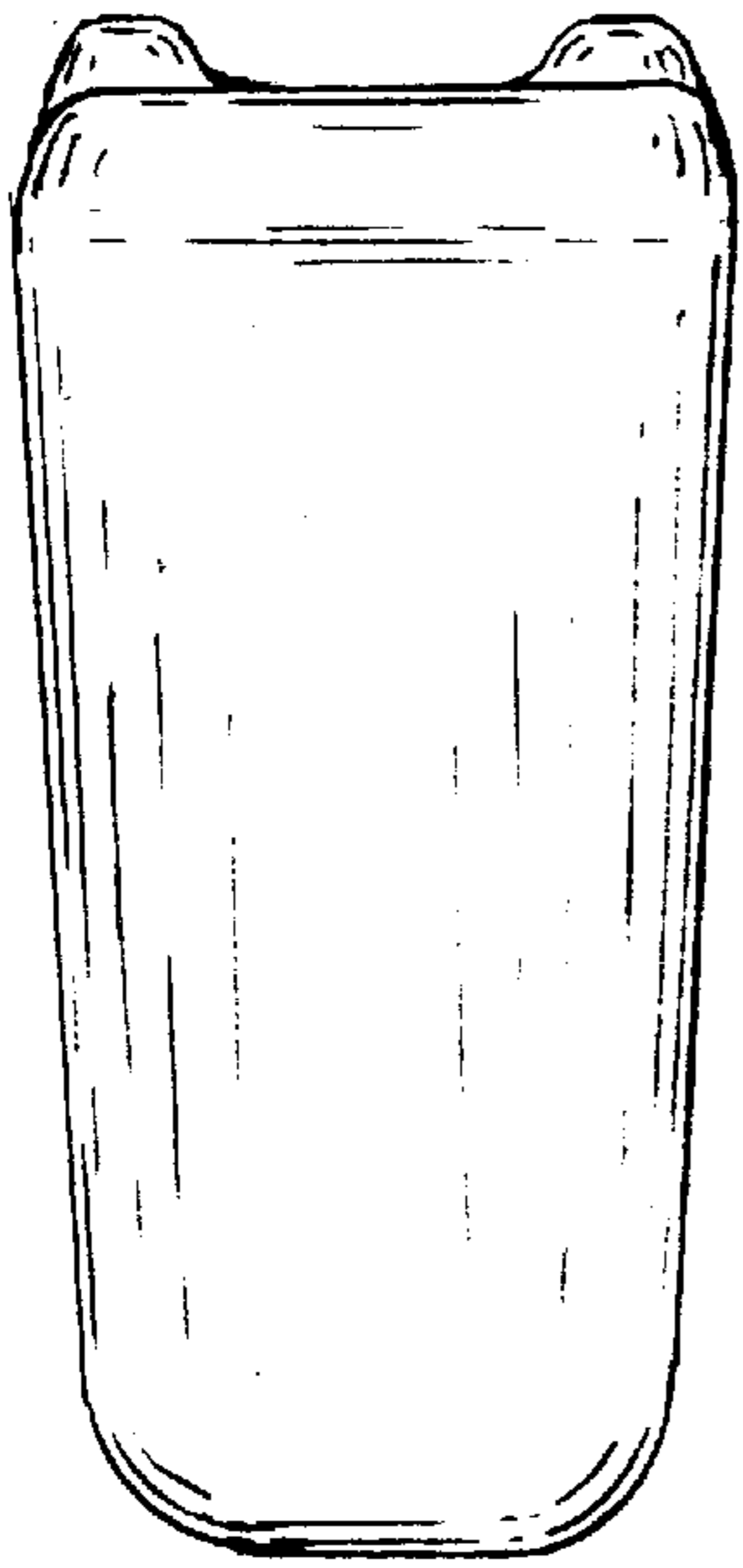


FIG. 5

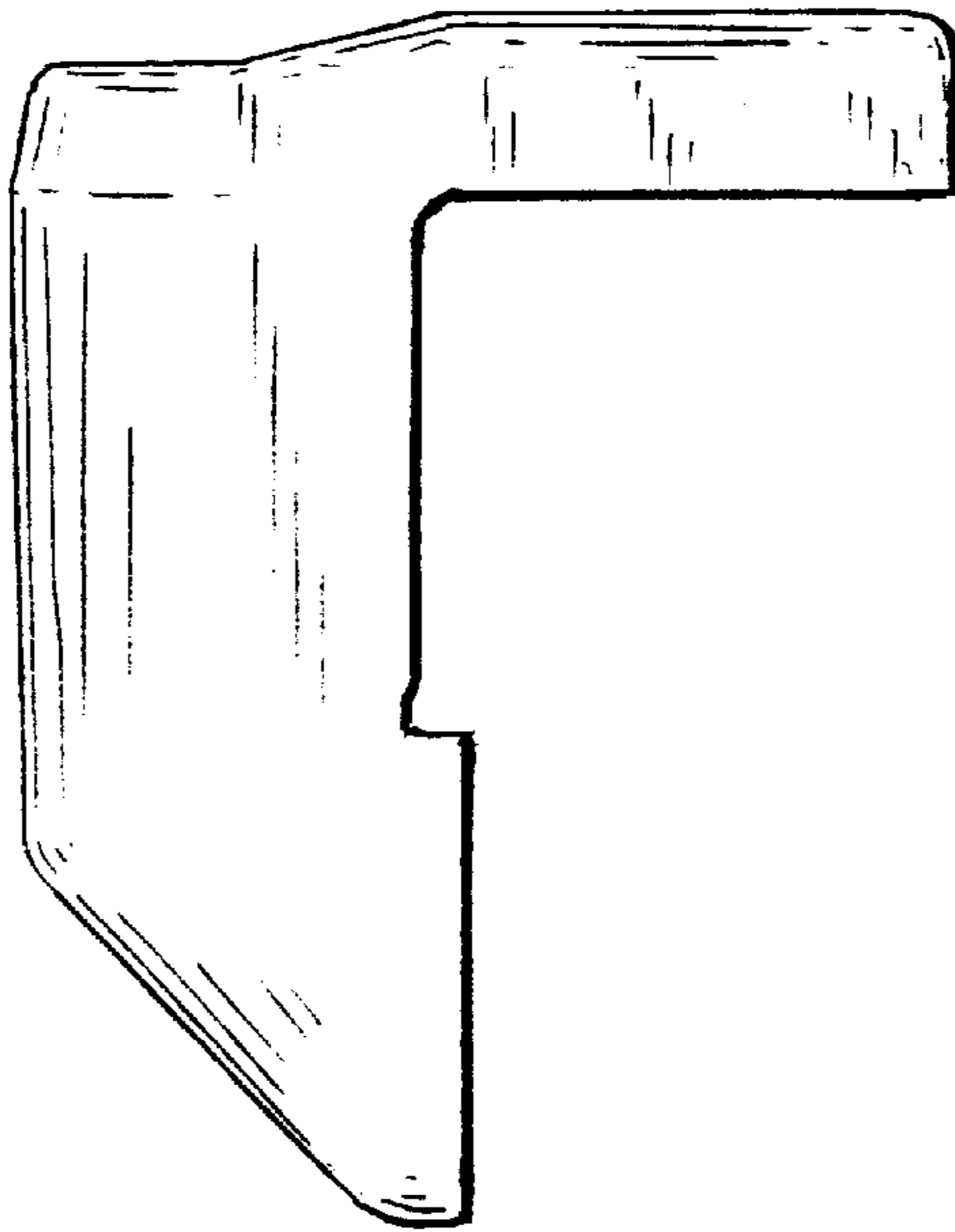


FIG. 4

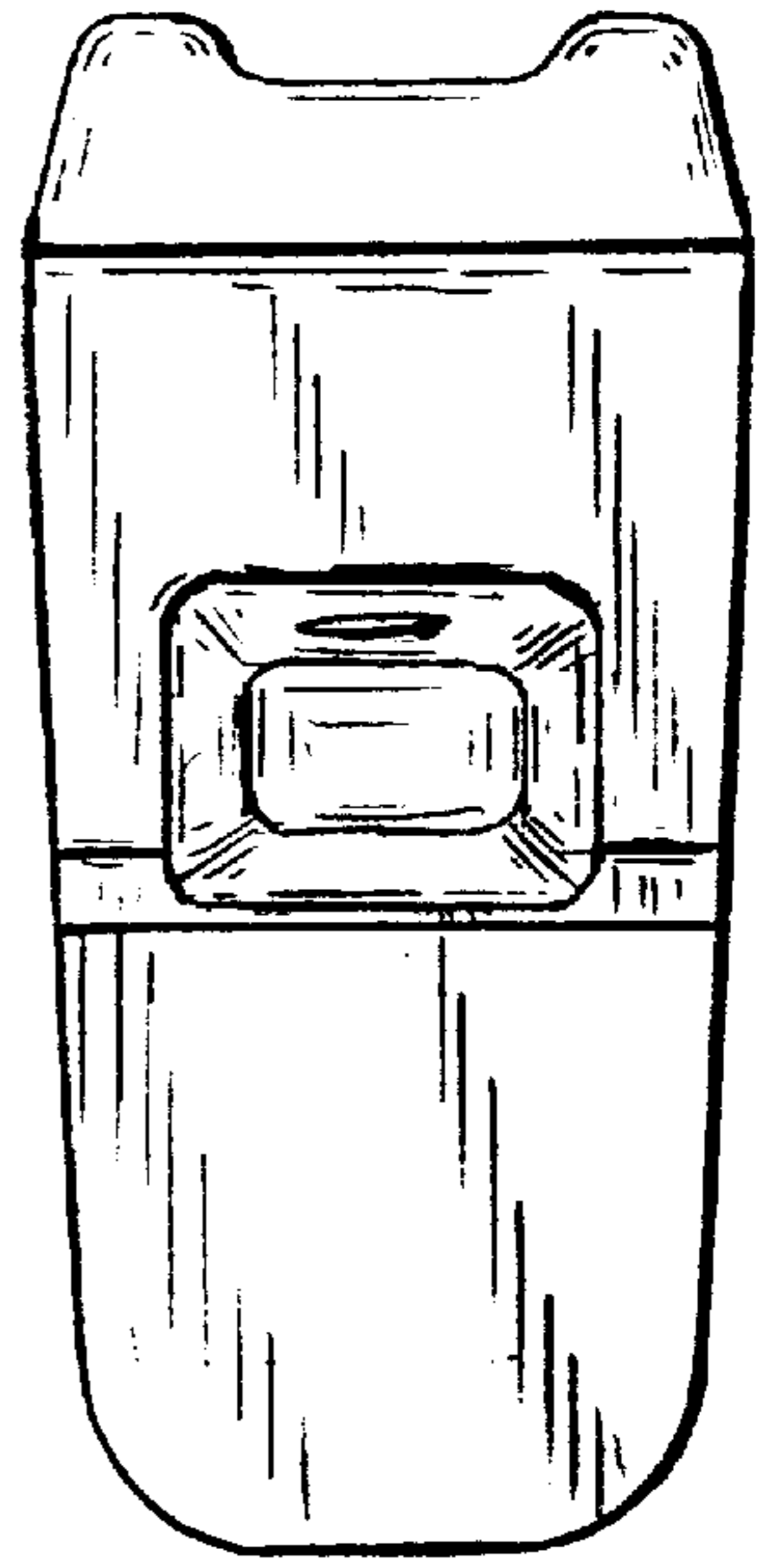


FIG. 6

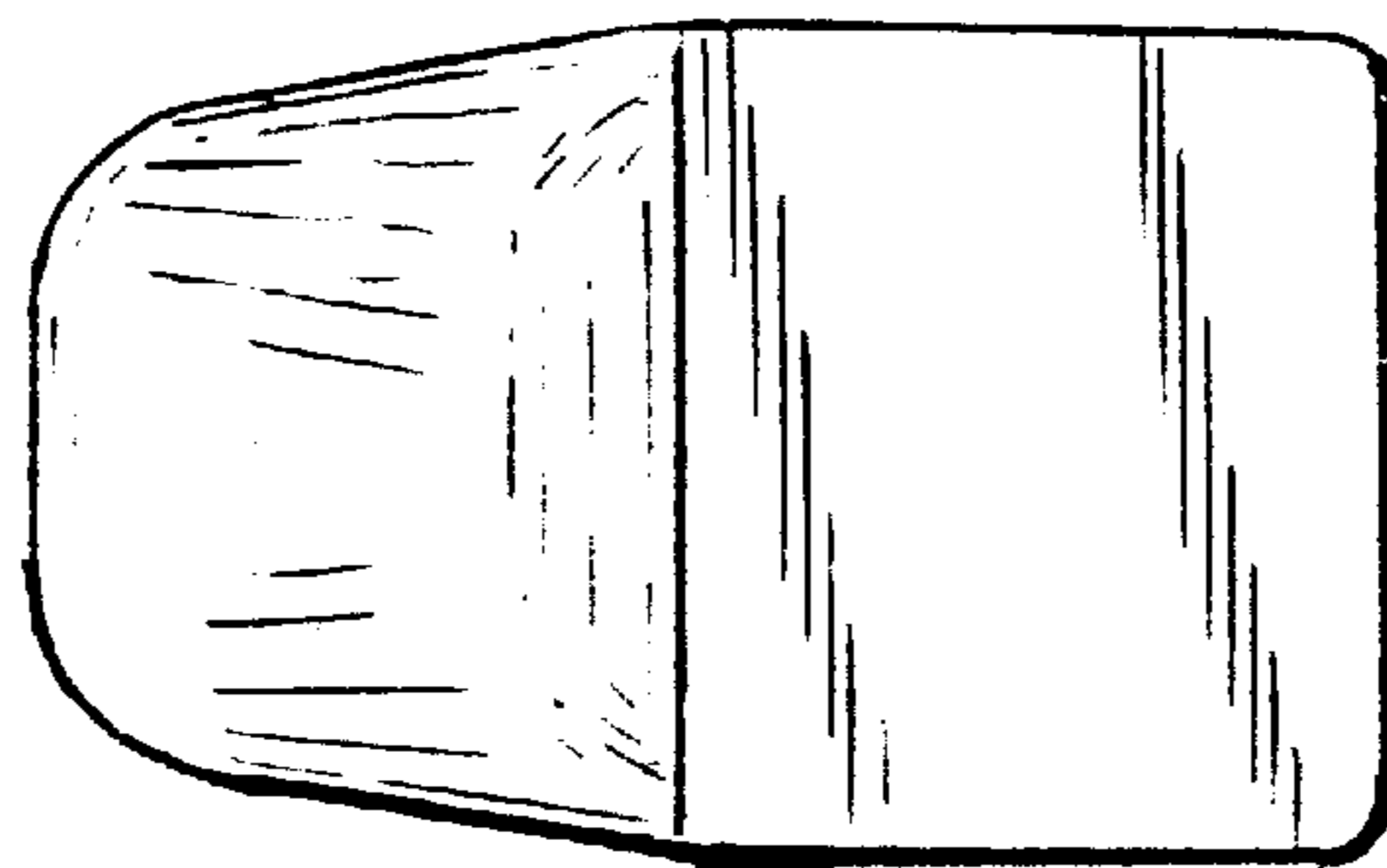


FIG. 7