



US00D463246S

(12) **United States Design Patent**
Becker

(10) **Patent No.:** **US D463,246 S**

(45) **Date of Patent:** **** Sep. 24, 2002**

(54) **FLIP-UP ROTARY CONTROL KNOB**

(75) **Inventor:** **Theodore A. Becker**, Cleveland, TN (US)

(73) **Assignee:** **Maytag Corporation**, Newton, IA (US)

(**) **Term:** **14 Years**

(21) **Appl. No.:** **29/149,933**

(22) **Filed:** **Oct. 23, 2001**

(51) **LOC (7) Cl. 08-06**

(52) **U.S. Cl. D8/306; D8/307**

(58) **Field of Search D8/300, 305-307, D8/310, 311; D23/250; D7/393; D3/12, 14-16; D21/386, 390, 484, 488, 480, 503; 273/294, 289, 156, 157; 219/506; 200/336; 403/375, 381; 74/553, 555, 557**

(56) **References Cited**

U.S. PATENT DOCUMENTS

D132,433 S *	5/1942	Pellegrin	D8/311
2,798,404 A	7/1957	Schaefer et al.	
D182,752 S *	5/1958	Young	D23/250
3,066,550 A	12/1962	Sundberg	
3,783,708 A *	1/1974	Witkowski	74/553
4,018,465 A	4/1977	Ramler	
4,219,232 A	8/1980	Kouth	
4,616,524 A *	10/1986	Bidoia	16/441
D297,760 S *	9/1988	Paul	D8/307
D325,865 S *	5/1992	Del Corno	D8/306
5,128,503 A	7/1992	Frantz	
5,585,578 A	12/1996	Shimotori	
6,035,492 A	3/2000	Warshaviak	
6,281,453 B1 *	8/2001	Uleski	200/336

* cited by examiner

Primary Examiner—B. J. Bullock

(74) *Attorney, Agent, or Firm*—Diederiks & Whitelaw, PLC

(57) **CLAIM**

The ornamental design for a flip-up rotary control knob, as shown and described.

DESCRIPTION

FIG. 1 is a top right perspective view of my flip-up rotary control knob, shown on an exemplary cooktop of a cooking appliance;

FIG. 2 is an enlarged top right perspective view of the flip-up rotary control knob of my design, with a section of the control knob shown in a retracted condition;

FIG. 3 is a top right perspective view of the flip-up rotary control knob of FIG. 2, with the section of the control knob shown in an extended condition;

FIG. 4 is a front elevational view of the flip-up rotary control knob in its retracted condition;

FIG. 5 is a top plan view of the flip-up rotary control knob of FIG. 2;

FIG. 6 is a right elevational view of the flip-up rotary control knob in the retracted condition of FIG. 2, with the left elevational view being a mirror image;

FIG. 7 is a rear elevational view of the flip-up rotary control knob in the retracted condition of FIG. 2;

FIG. 8 is a bottom plan view of the flip-up rotary control knob in the retracted condition of FIG. 2;

FIG. 9 is a front elevational view of the flip-up rotary control knob, with the section of the control knob shown in its extended condition;

FIG. 10 is a top plan view of the flip-up rotary control knob of FIG. 3;

FIG. 11 is a right elevational view of the flip-up rotary control knob in the extended condition of FIG. 3, with the left elevational view being a mirror image;

FIG. 12 is a rear elevational view of the flip-up rotary control knob in the extended condition of FIG. 3; and,

FIG. 13 is a bottom view of the flip-up rotary control knob in the extended condition of FIG. 3.

The broken lines showing the cooktop in FIG. 1 and the mounting hole in each of FIGS. 8 and 13 are for illustrative purposes only and form no part of the claimed invention.

1 Claim, 4 Drawing Sheets

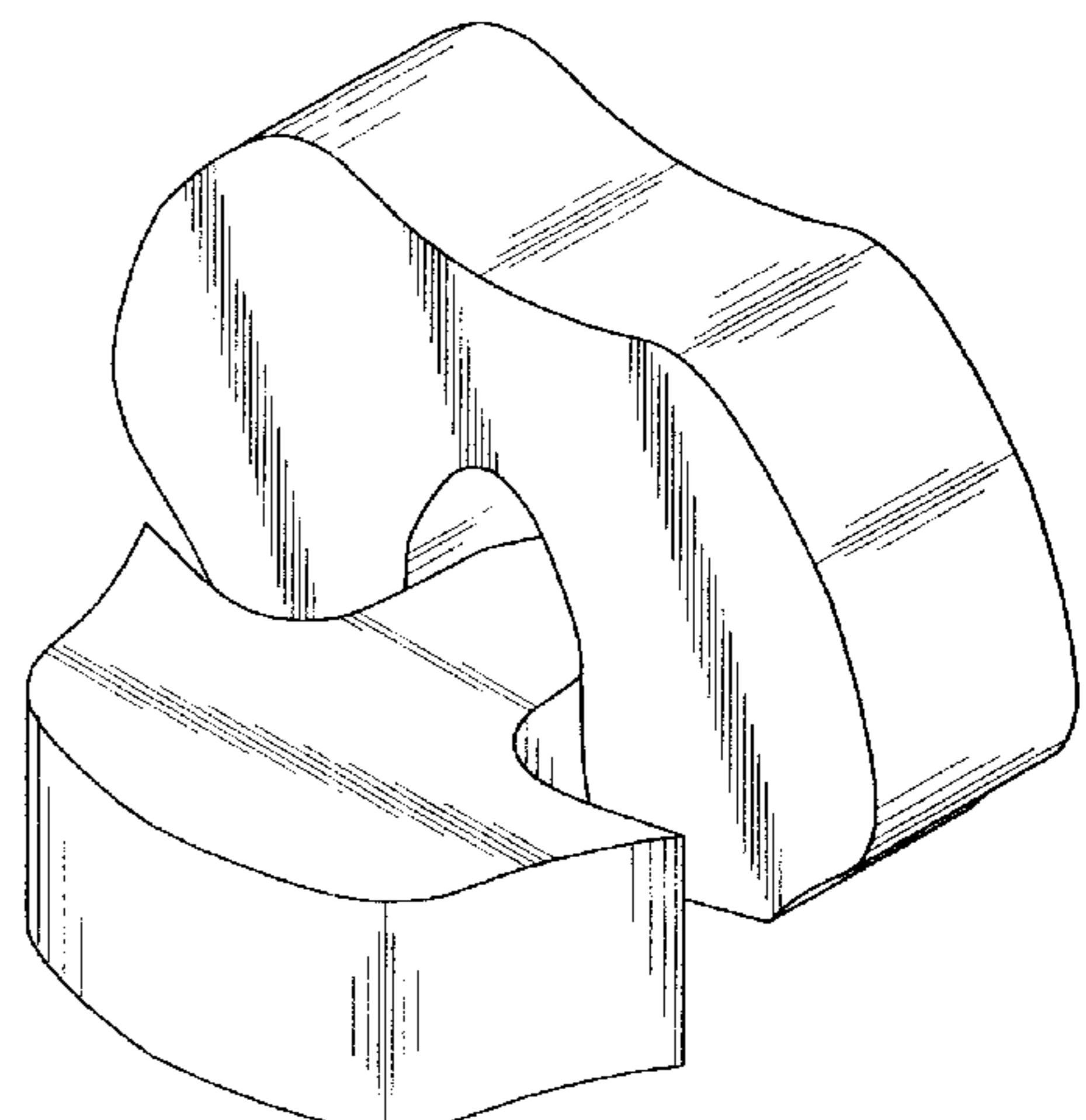
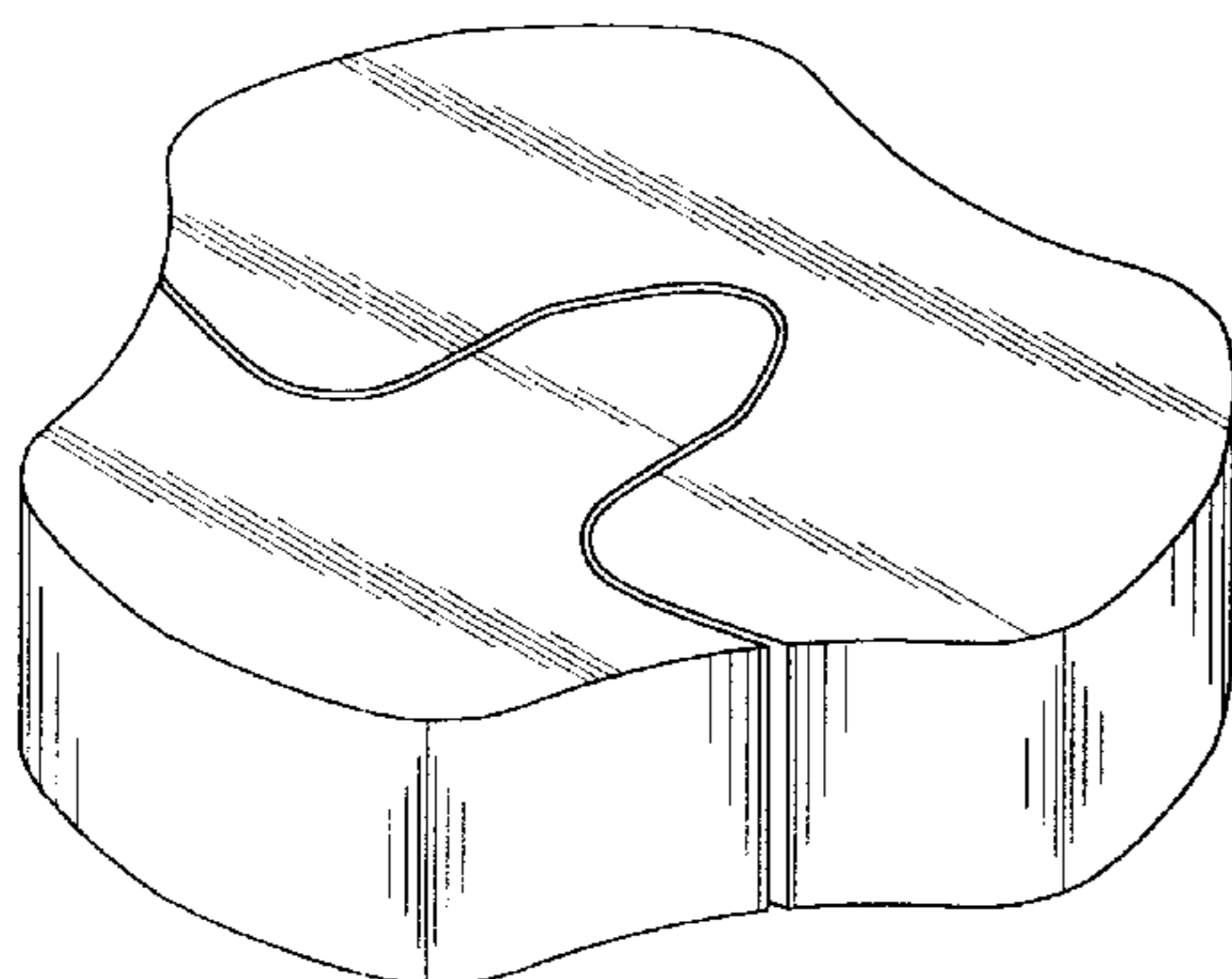


FIG. 1

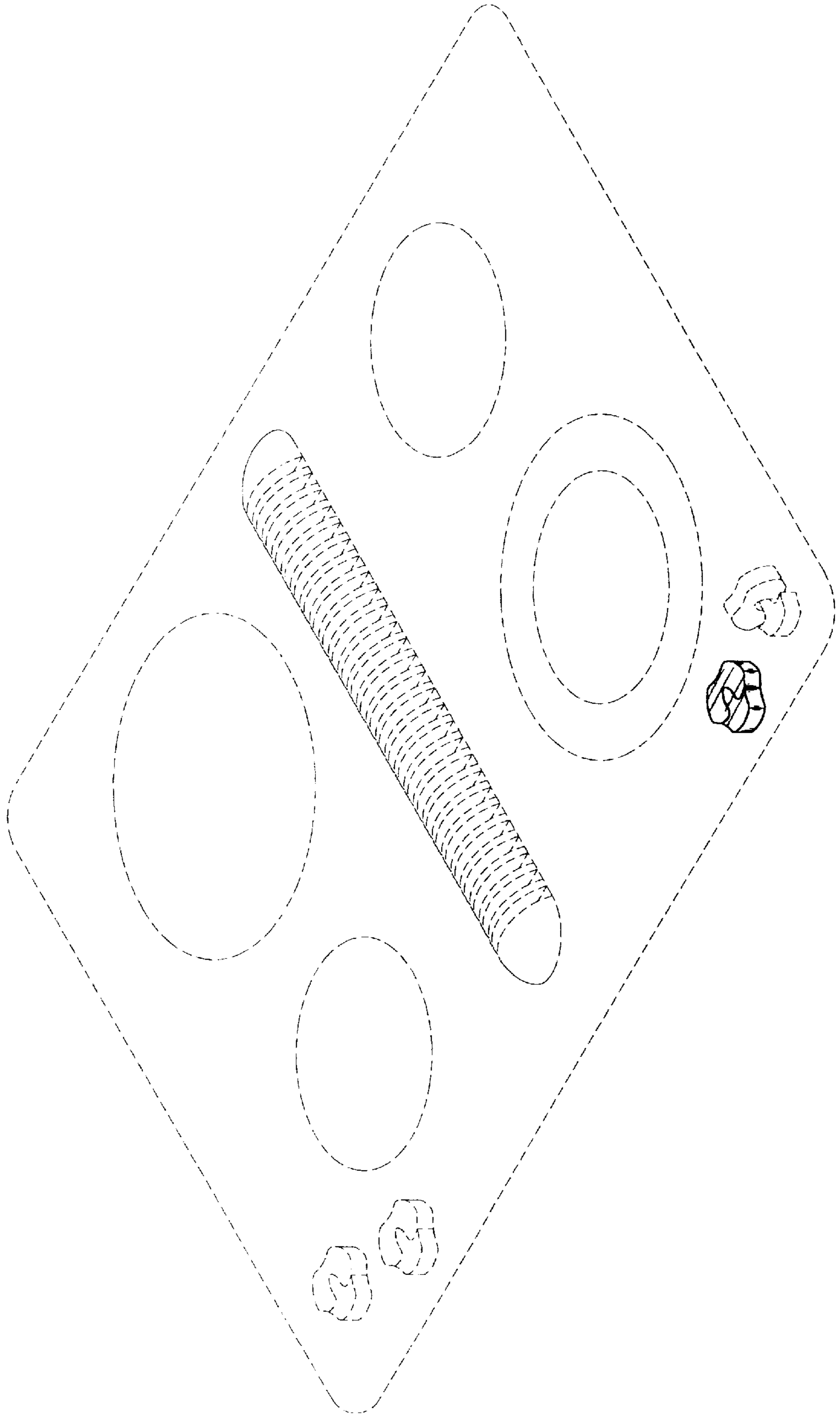


FIG. 2

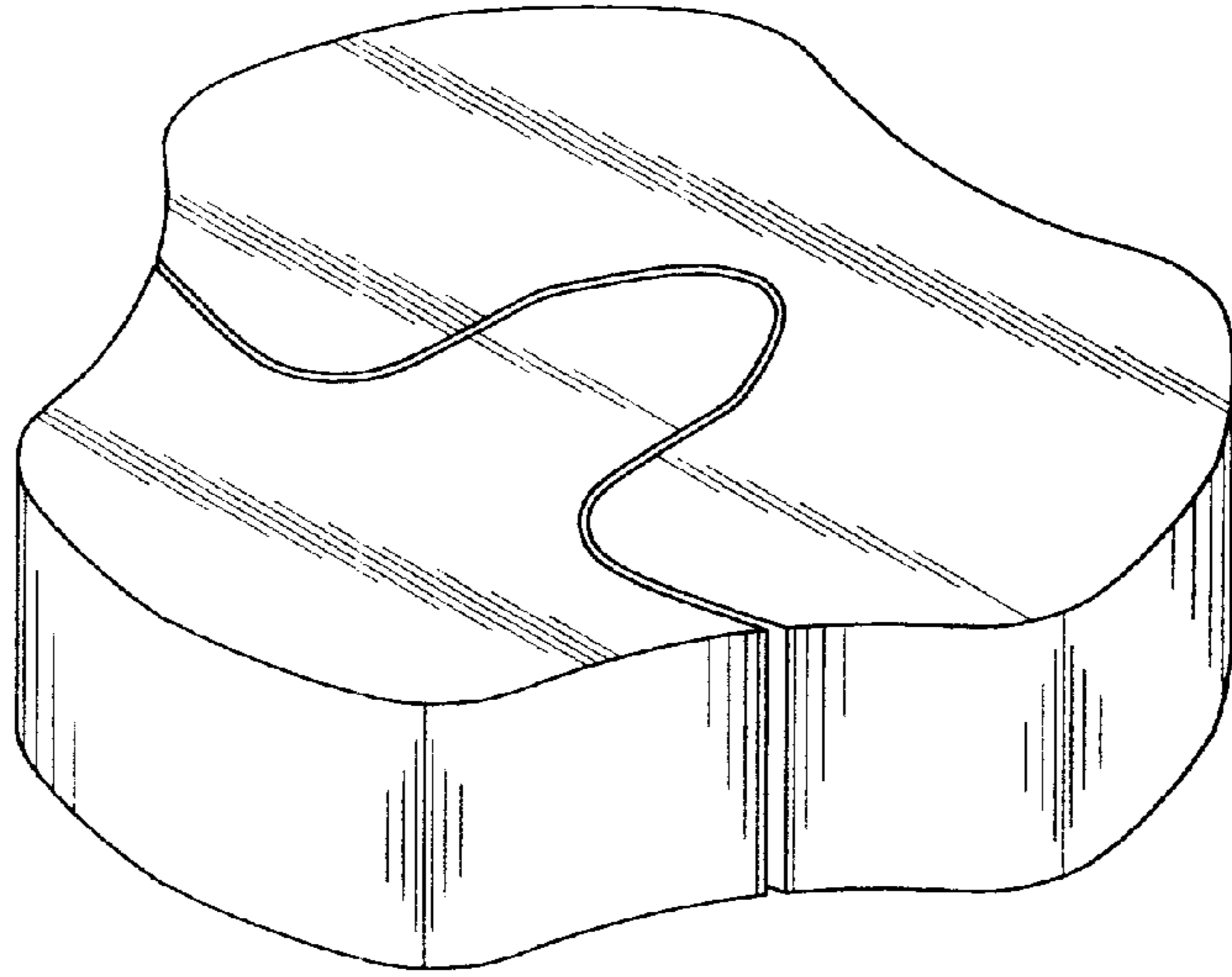


FIG. 3

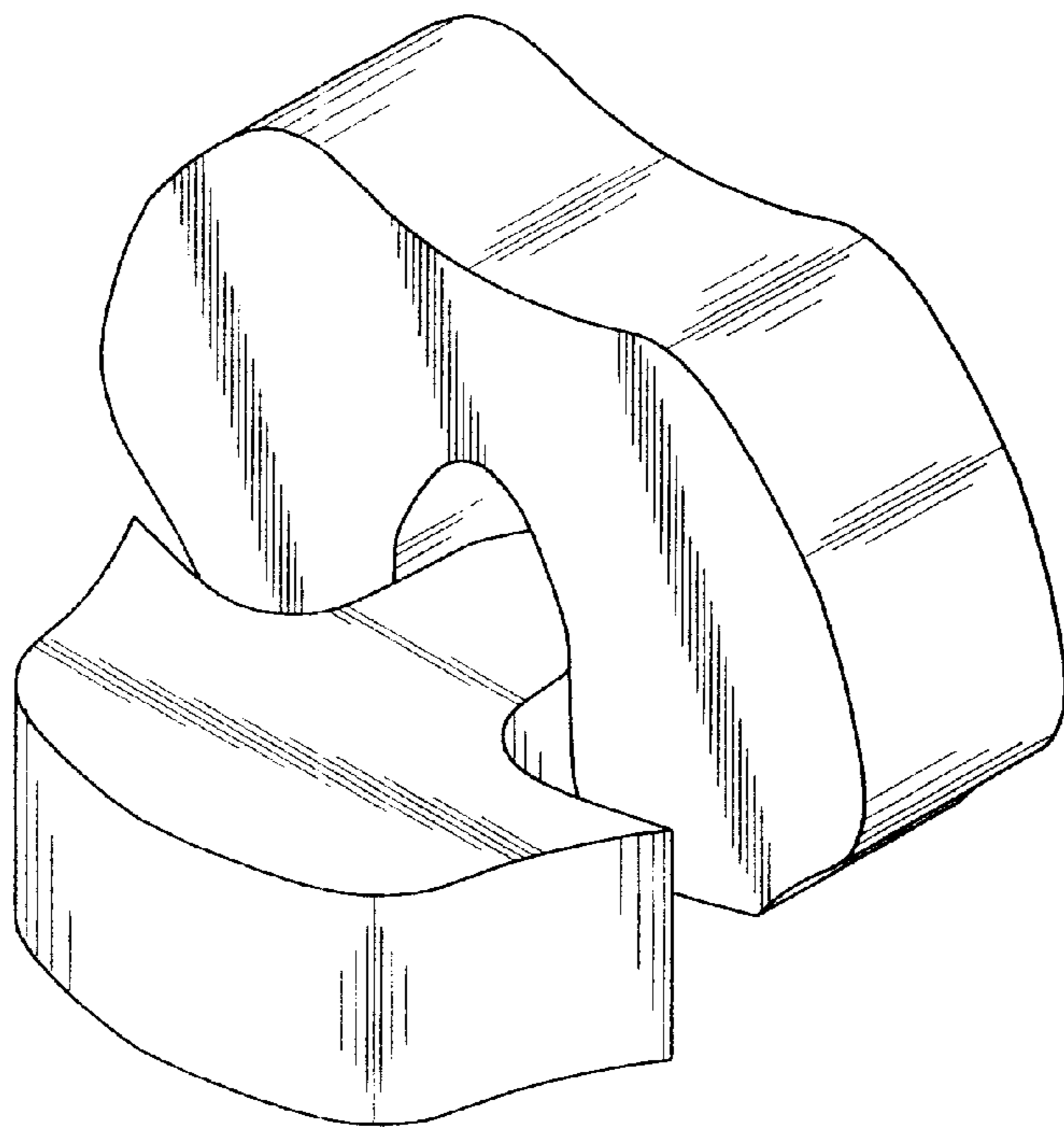


FIG. 4

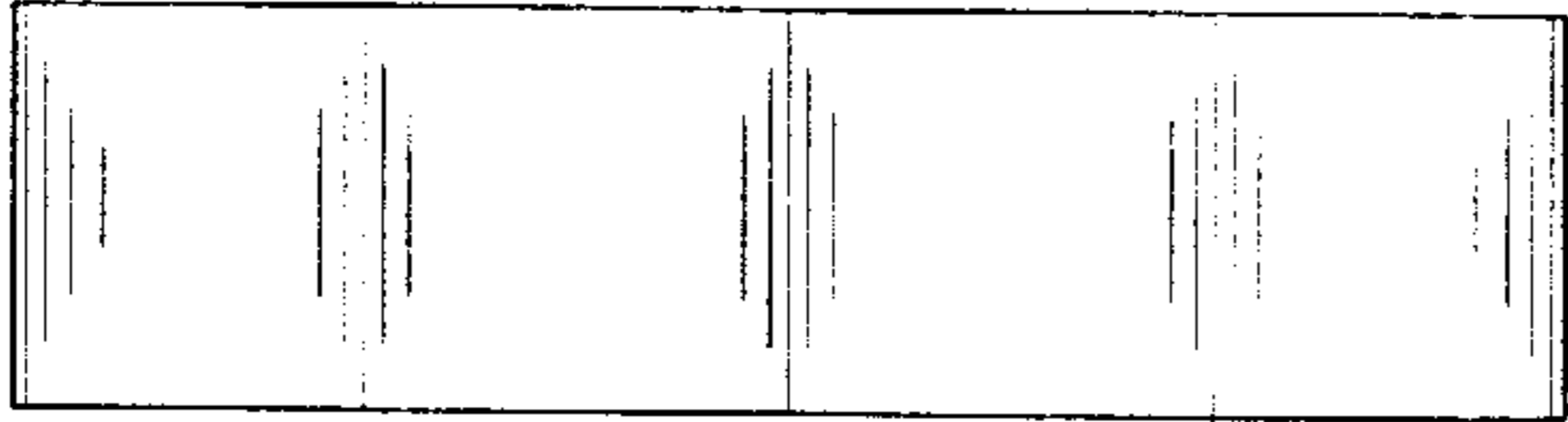


FIG. 5

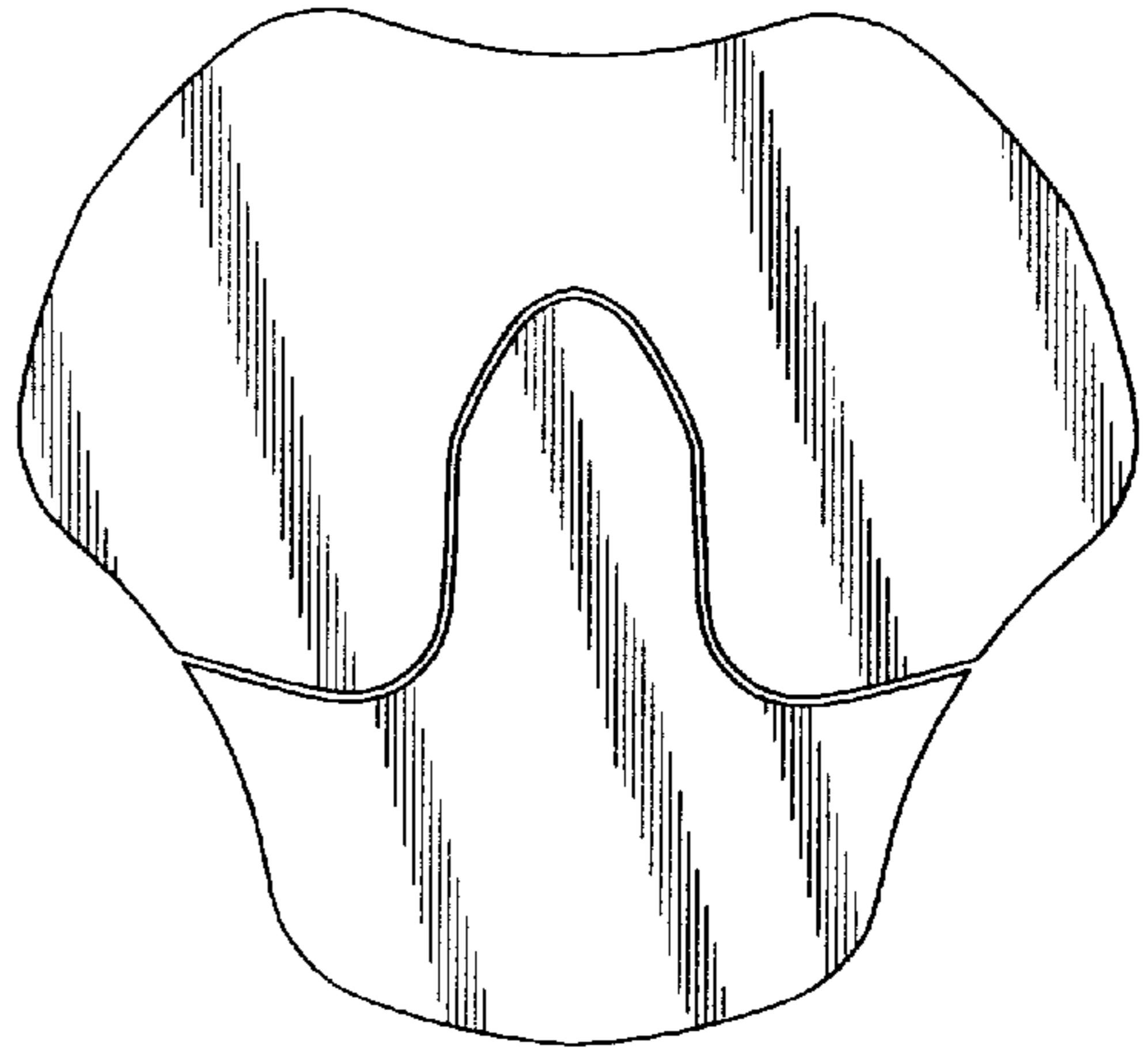


FIG. 6

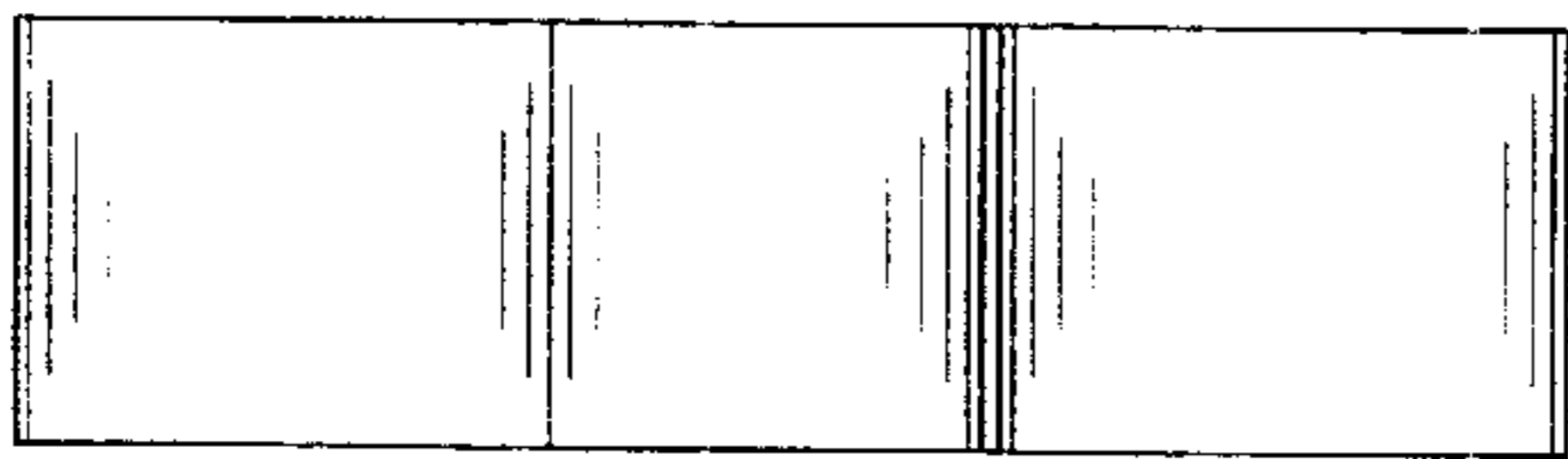


FIG. 7

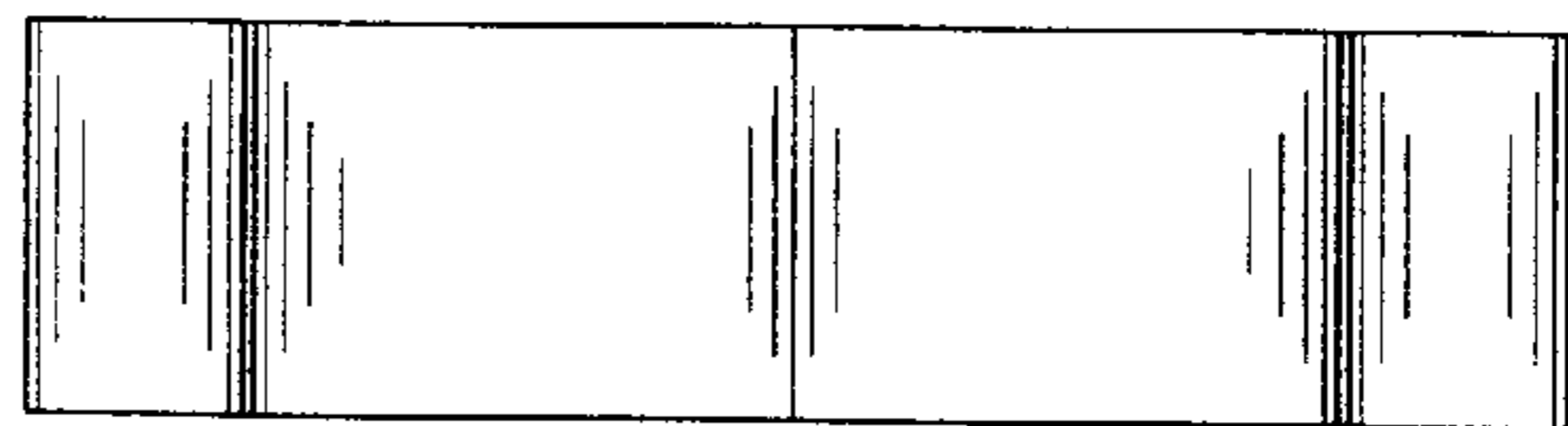


FIG. 8

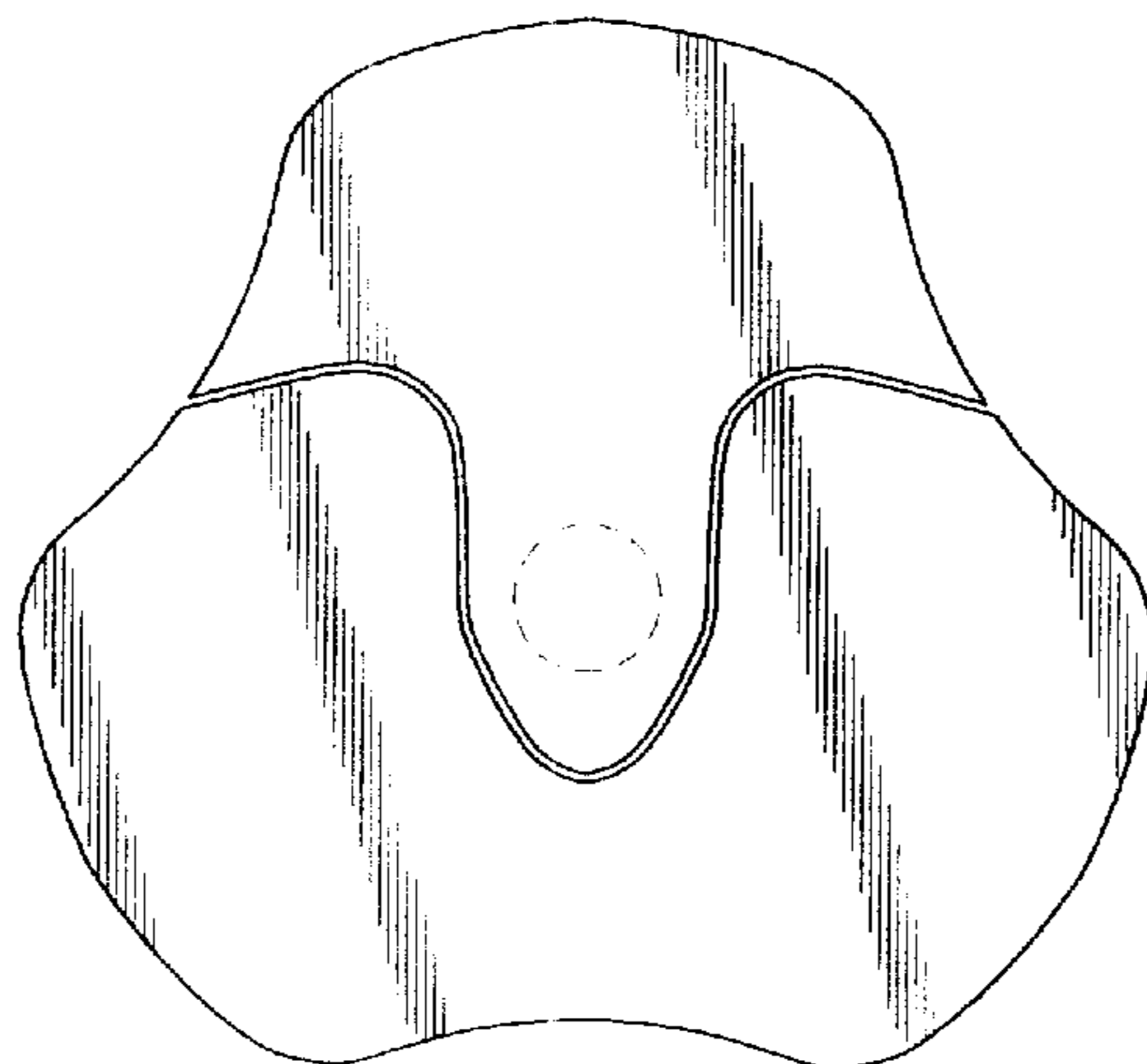


FIG. 9

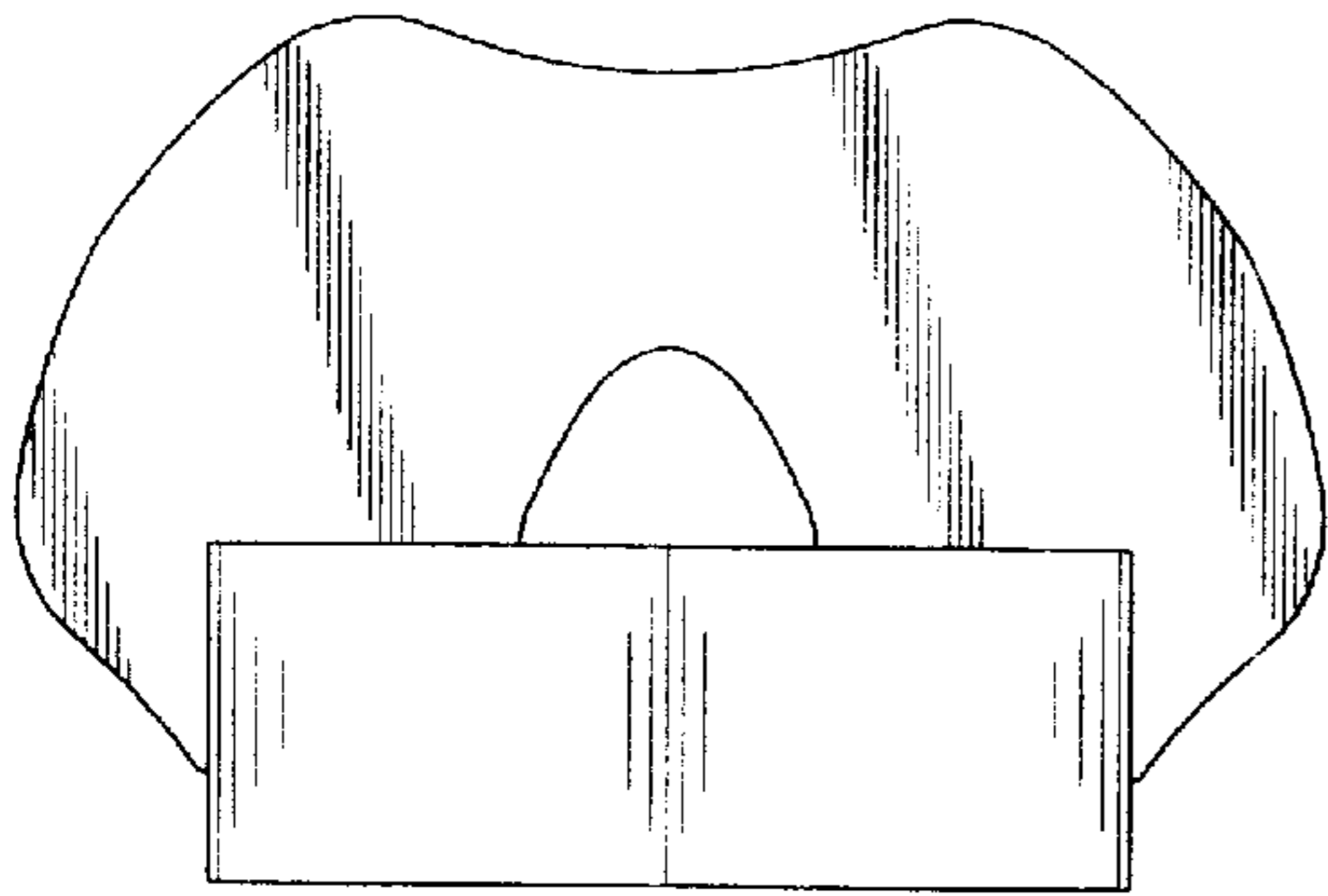


FIG. 10

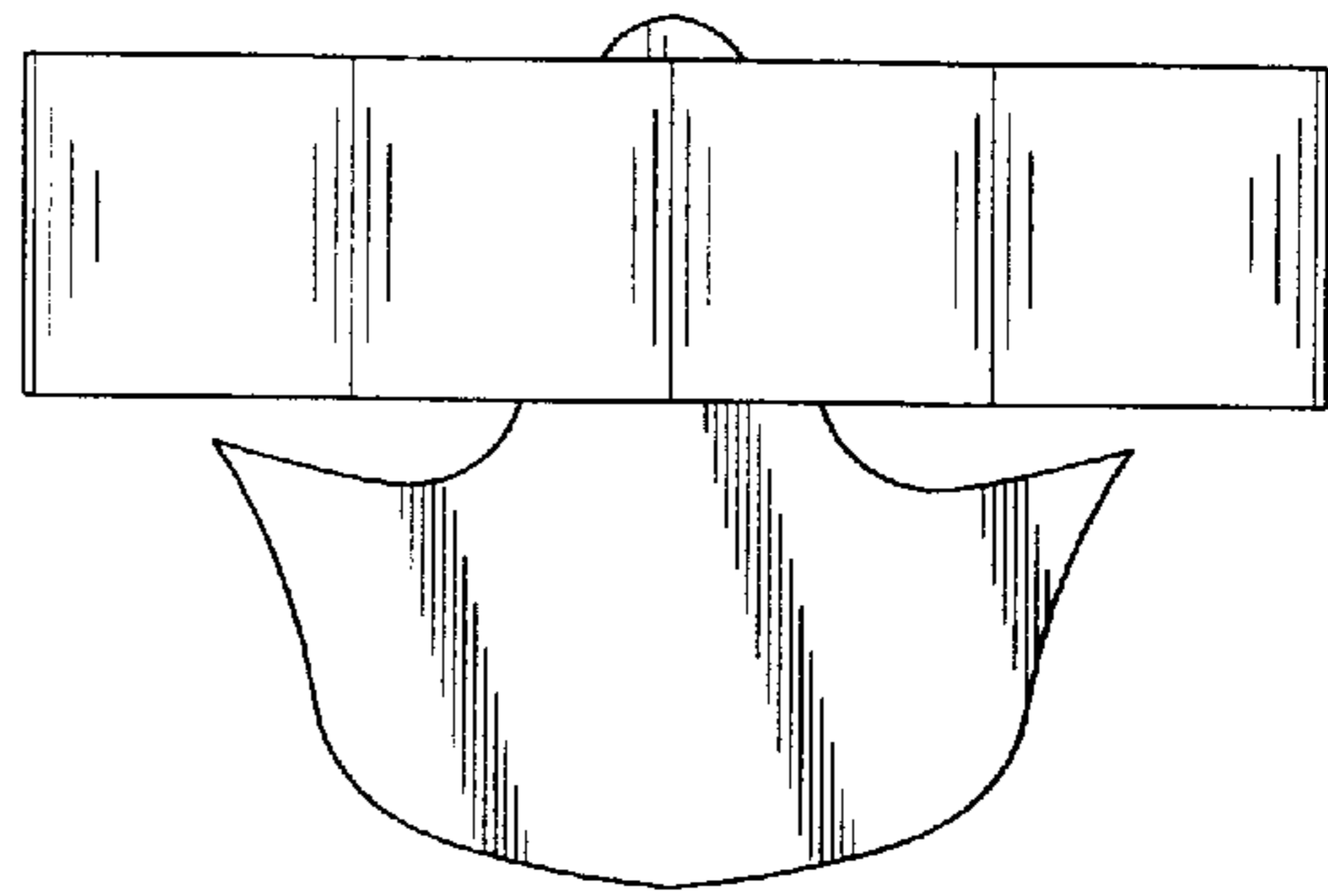


FIG. 11

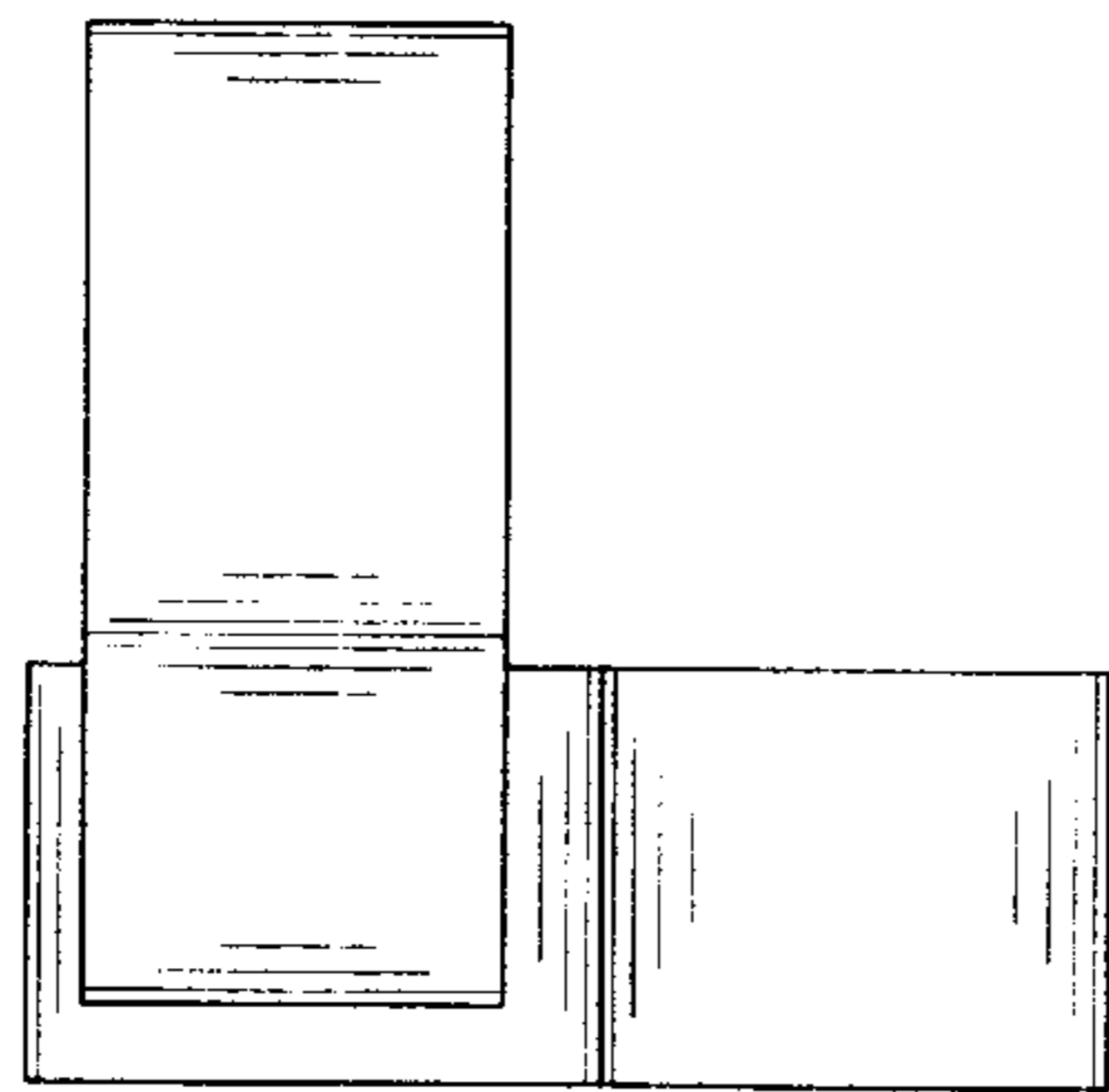


FIG. 12

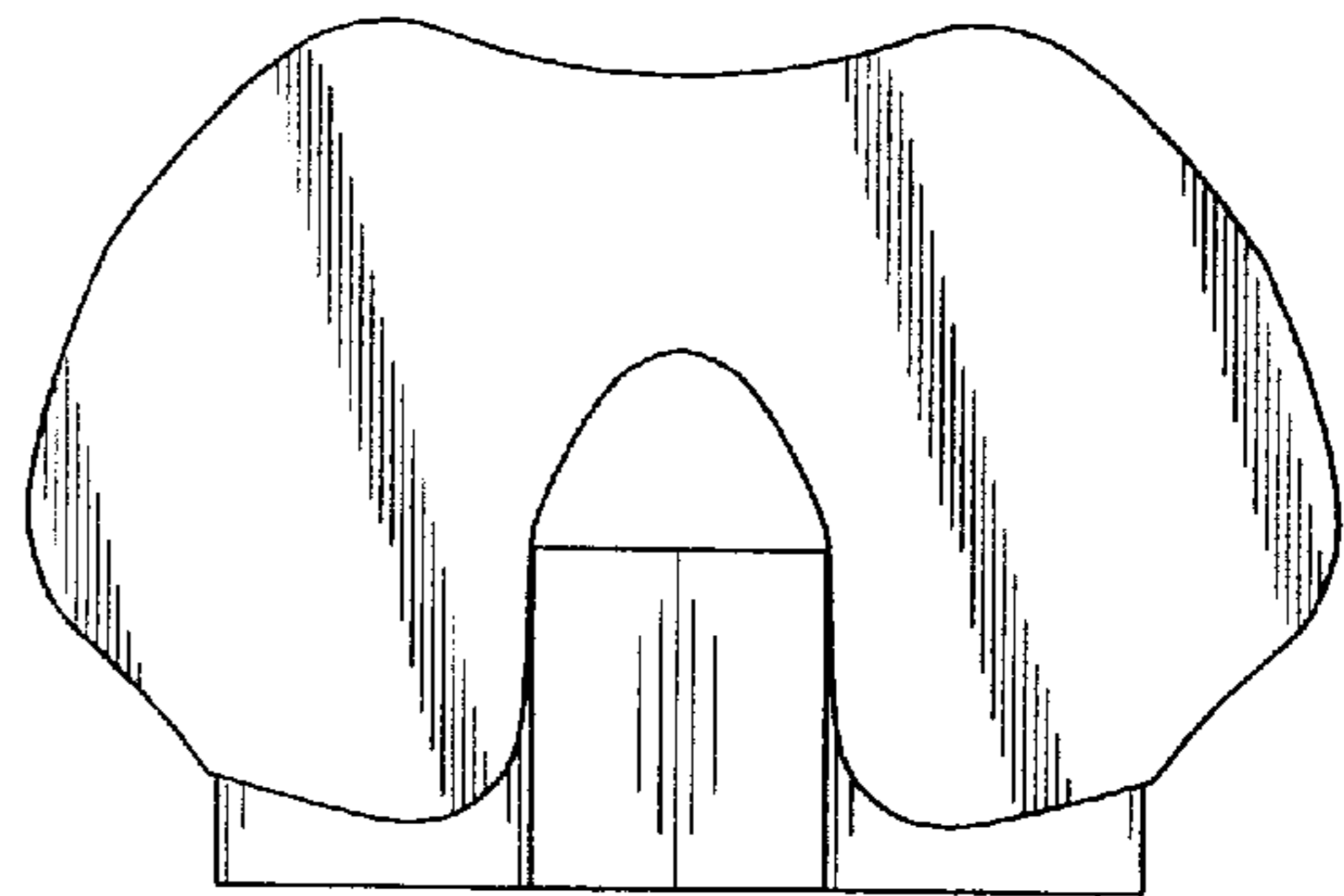


FIG. 13

