

US00D463239S

(12) **United States Design Patent**  
**Makedonski**

(10) **Patent No.:** **US D463,239 S**

(45) **Date of Patent:** **\*\* Sep. 24, 2002**

(54) **MULTI-TOOL APPARATUS**

D419,050 S \* 1/2000 Lin ..... D8/105

D429,987 S \* 8/2000 Hung ..... D8/105

(75) Inventor: **Manfred Makedonski**, Tangstedt (DE)

\* cited by examiner

(73) Assignee: **Troika Design, Inc.**, Longwood, FL  
(US)

*Primary Examiner*—Martie K. Holtje

(74) *Attorney, Agent, or Firm*—James H. Beusse; Beusse  
Brownlee Bowdoin & Wolter, P.A.

(\*\*) Term: **14 Years**

(21) Appl. No.: **29/151,633**

(57) **CLAIM**

(22) Filed: **Dec. 7, 2001**

The ornamental design for a multi-tool apparatus, as shown  
and described.

(51) **LOC (7) Cl.** ..... **08-02**

**DESCRIPTION**

(52) **U.S. Cl.** ..... **D8/105**; D8/81

(58) **Field of Search** ..... D27/142; D8/98,  
D8/99, 75, 78, 80, 81, 105, 107, 95, 26;  
7/103, 105, 143, 144, 146, 147, 148, 158,  
167

FIG. 1 is a perspective view of my ornamental design for a  
multi-tool apparatus in a folded form;

FIG. 2 is a perspective view of the design of FIG. 1 in an  
unfolded form;

FIG. 3 is a right side elevation view of the design of FIG. 1;

FIG. 4 is a left side elevation view of the design of FIG. 1;

FIG. 5 is a front side edge view of the design of FIG. 1;

FIG. 6 is a rear side edge view of the design of FIG. 1;

FIG. 7 is a top plan view of the design of FIG. 1; and,

FIG. 8 is a bottom plan view of the design of FIG. 1.

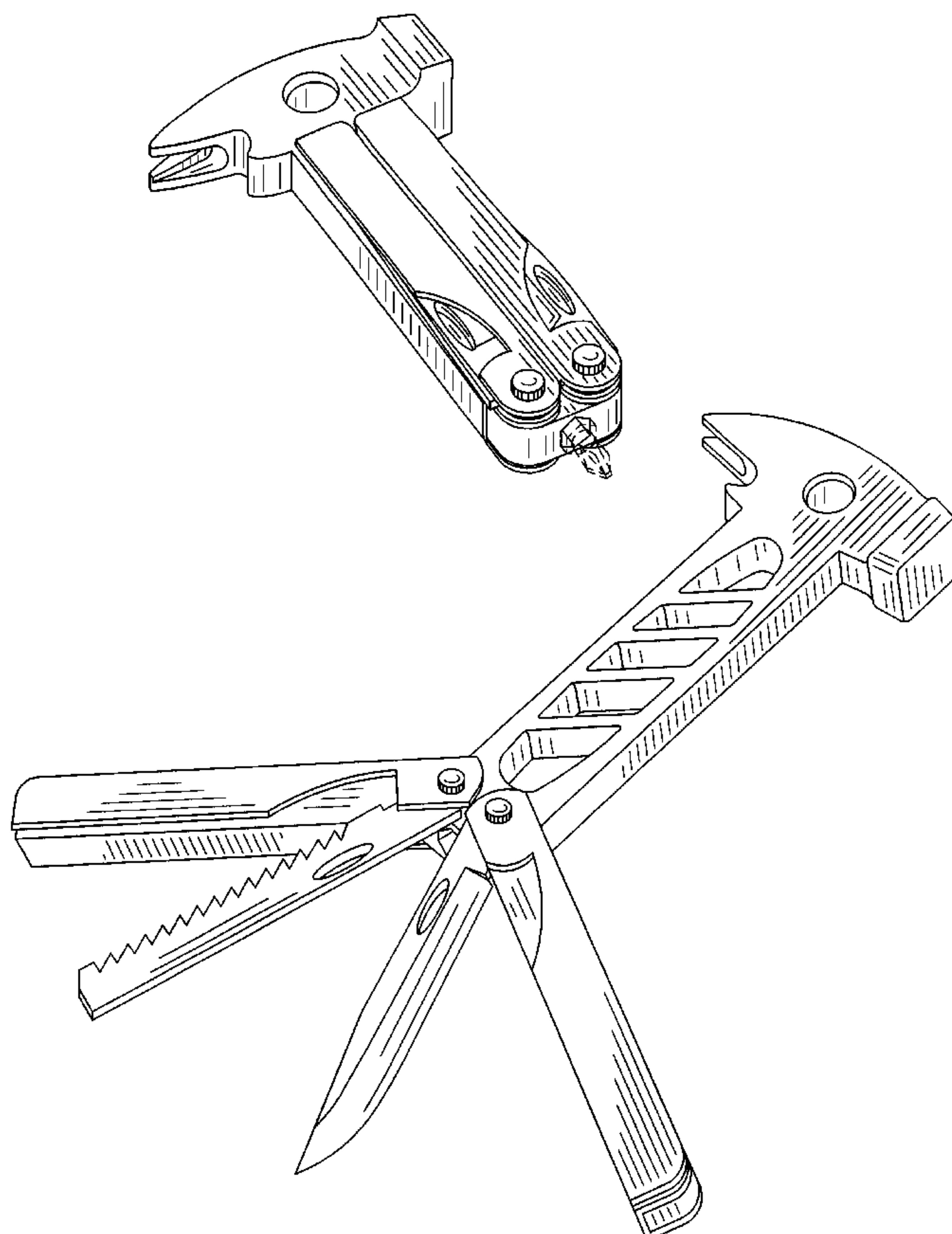
The structure depicted by means of broken lines in FIG. 1  
has been shown for illustrative purposes only and forms no  
part of the claimed design.

(56) **References Cited**

**U.S. PATENT DOCUMENTS**

22,923	A	*	2/1859	Wicks	.....	7/143
299,488	A	*	5/1884	Morrell	.....	7/143
487,635	A	*	12/1892	McGowen	.....	7/144
930,385	A	*	8/1909	Kennedy	.....	7/134
1,598,420	A	*	8/1926	Brossett	.....	7/105
3,790,976	A	*	2/1974	Stencil	.....	7/103
D281,216	S	*	11/1985	Cutliff, Jr. et al.	.....	D8/26
D414,097	S	*	9/1999	Berg et al.	.....	D8/105

**1 Claim, 2 Drawing Sheets**



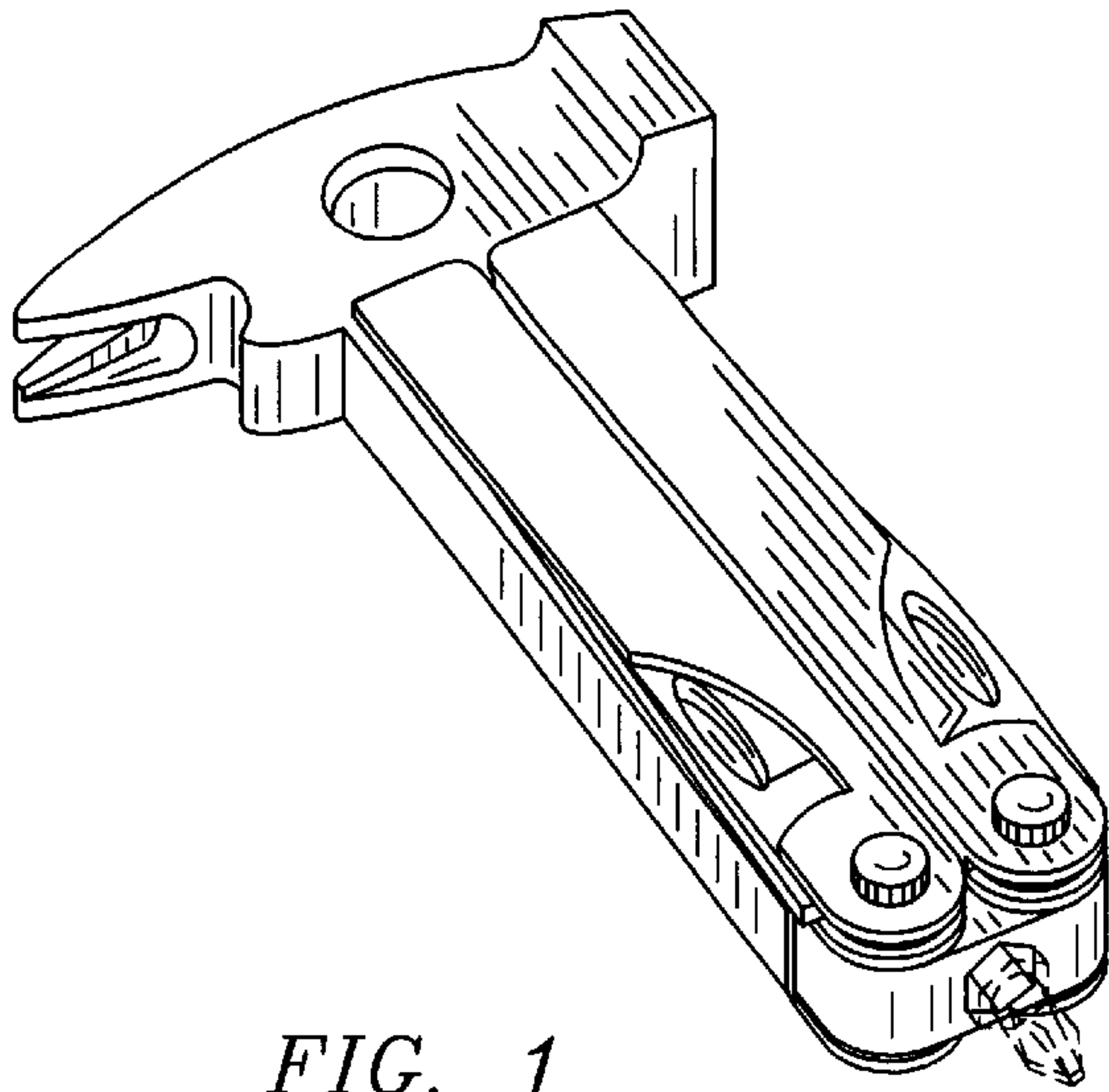


FIG. 1

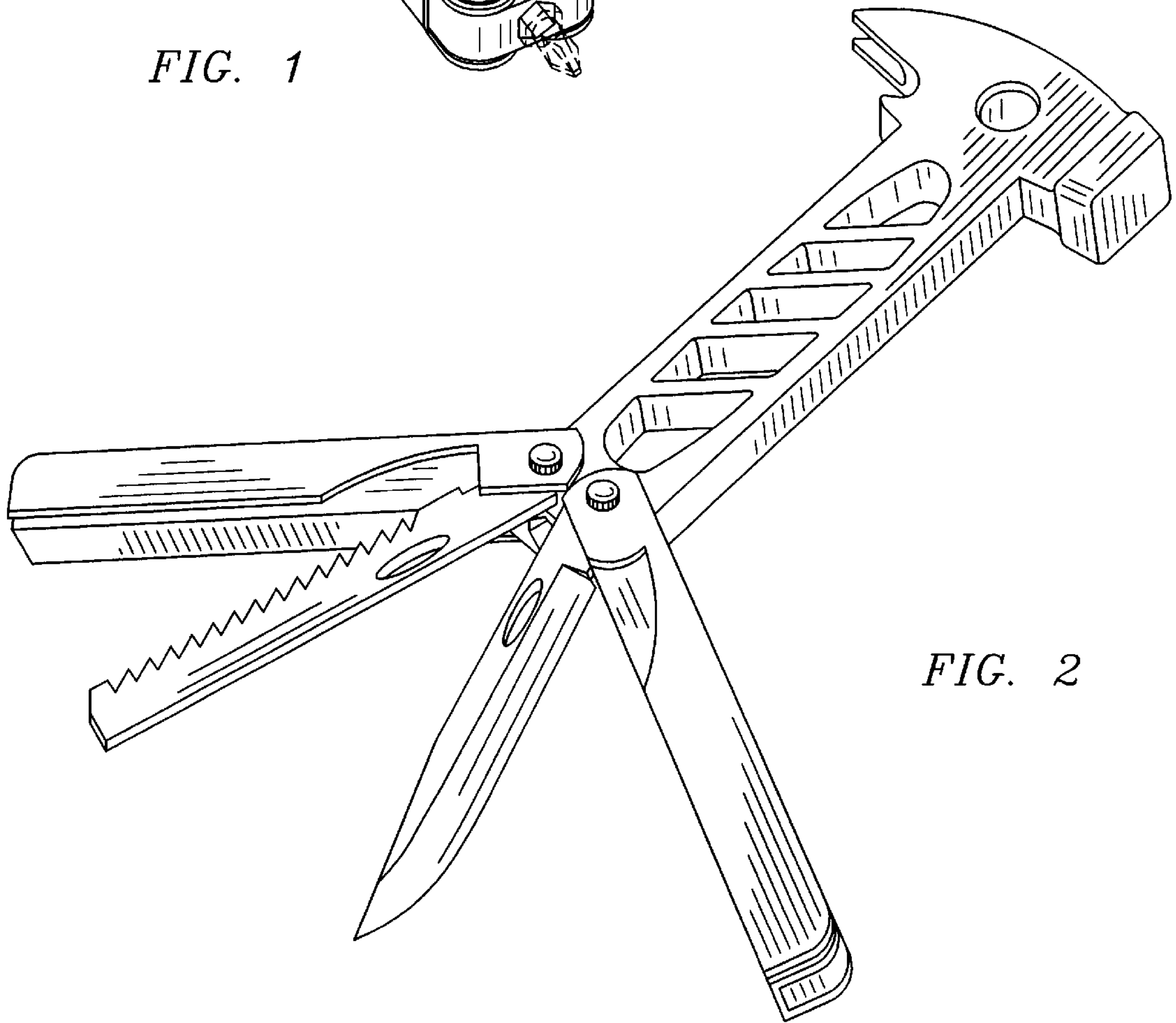


FIG. 2

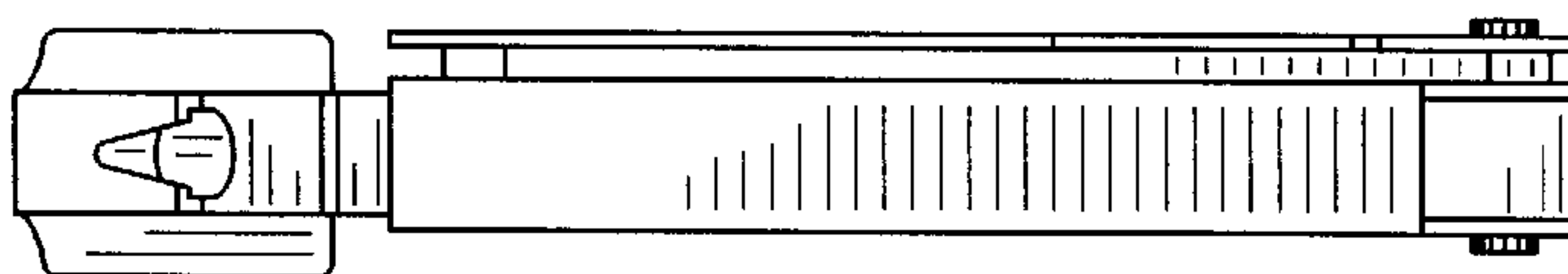


FIG. 5

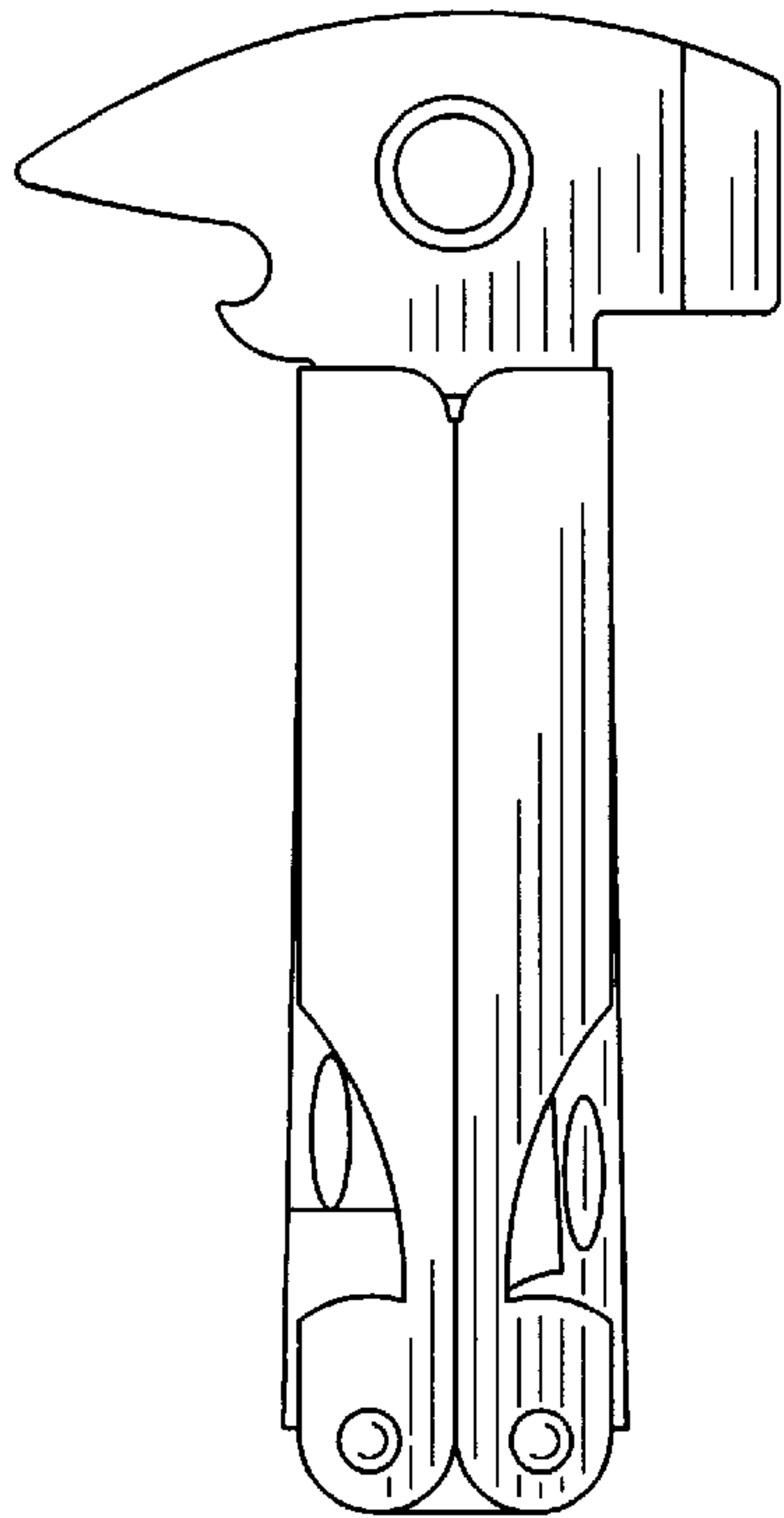


FIG. 3

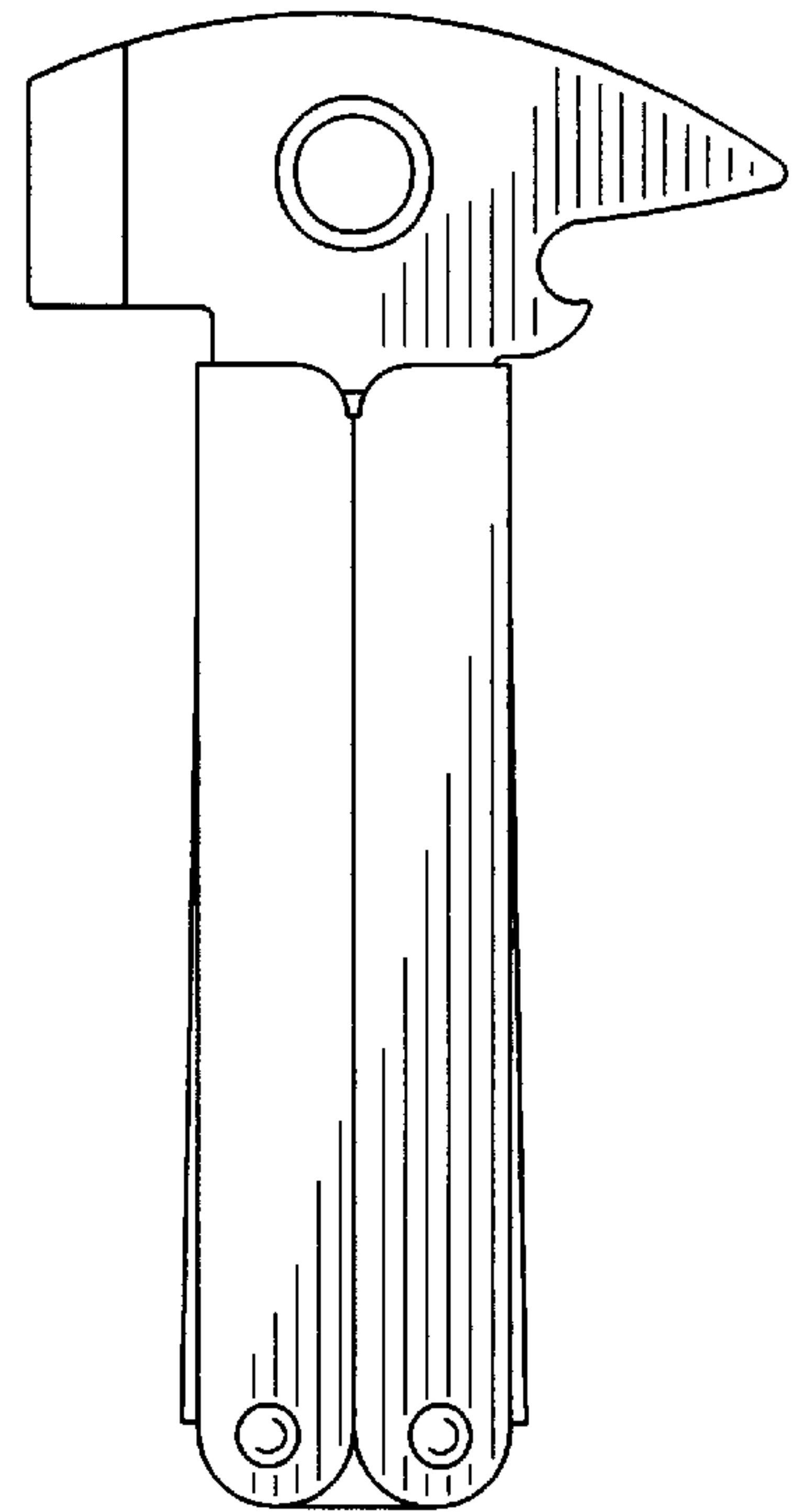


FIG. 4

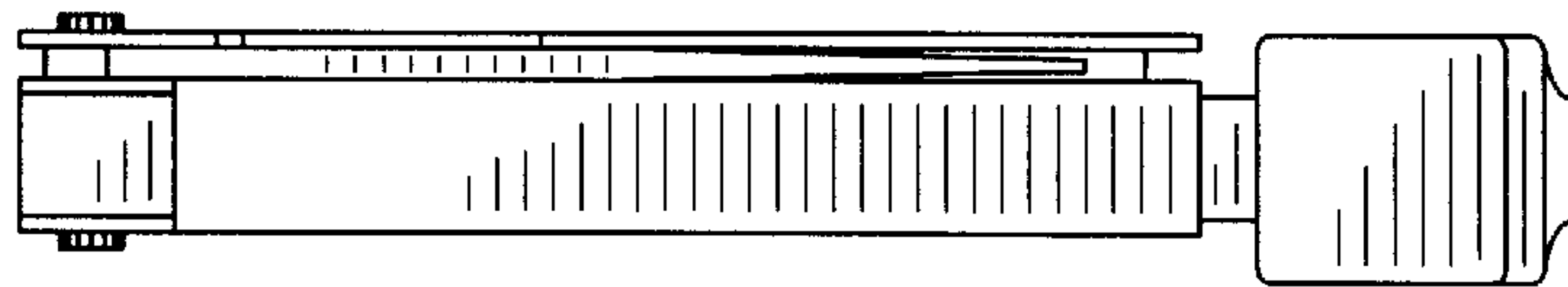


FIG. 6

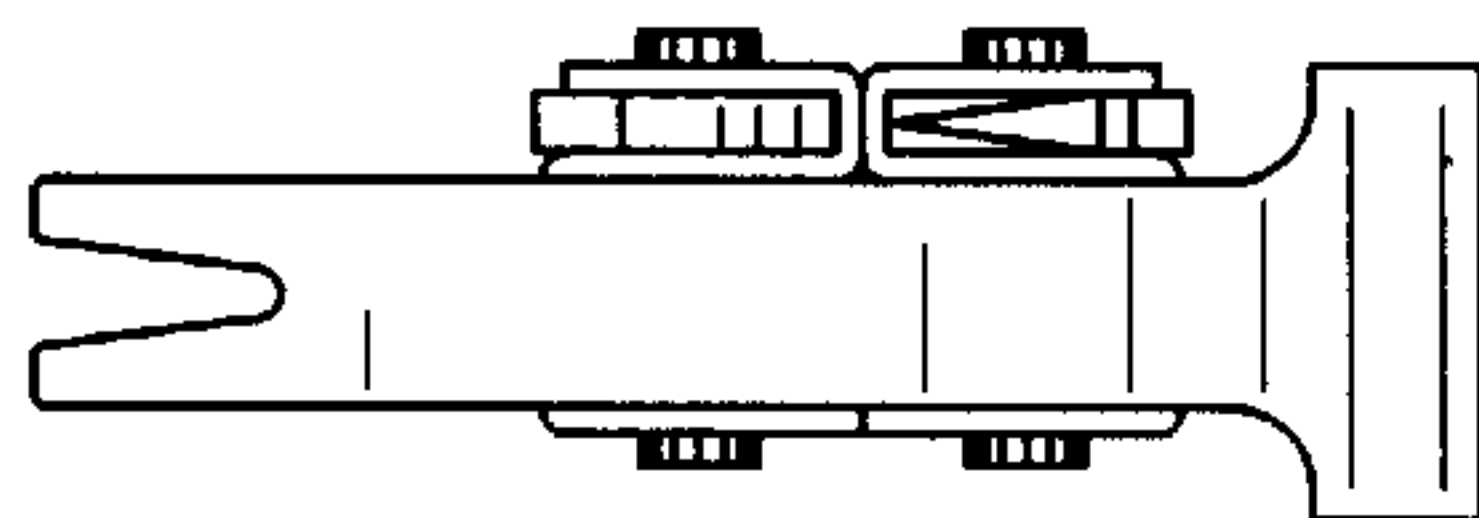


FIG. 7

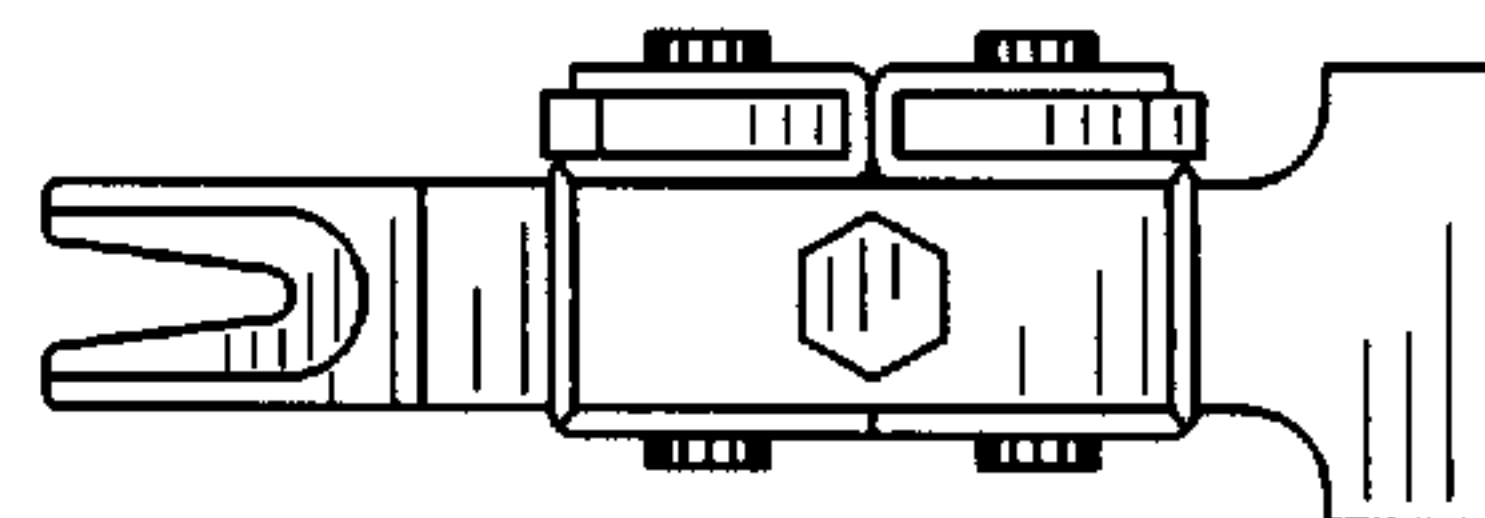


FIG. 8