



US00D463235S

(12) **United States Design Patent**  
**Mauffette**

(10) **Patent No.:** **US D463,235 S**

(45) **Date of Patent:** **\*\* Sep. 24, 2002**

(54) **CORKSCREW**

6,073,519 A 6/2000 Presa Eiguren ..... 81/3.33

(75) Inventor: **Claude Mauffette**, Montreal (CA)

(73) Assignee: **Trudeau Corporation 1889 Inc.**,  
Quebec (CA)

(\*\*) Term: **14 Years**

(21) Appl. No.: **29/152,231**

(22) Filed: **Dec. 19, 2001**

**Related U.S. Application Data**

(62) Division of application No. 29/130,867, filed on Oct. 11,  
2000.

(51) **LOC (7) Cl.** ..... **07-99**

(52) **U.S. Cl.** ..... **D8/40**

(58) **Field of Search** ..... D8/33-43; 7/151-156;  
81/3.07-3.49

(56) **References Cited**

**U.S. PATENT DOCUMENTS**

4,253,351 A	3/1981	Allen	.....	81/3.38
D359,213 S	*	6/1995	Entwistle	..... D8/42
D389,712 S	*	1/1998	Usbeck	..... D8/42
D419,839 S	*	2/2000	Schülein et al.	..... D8/42

**OTHER PUBLICATIONS**

Collectible Corkscrews by Frédérique Crestin-Billet; ISBN: 2-08010-551-5; English language edition ©2001 Flammarion Inc.; p. 236; "Traifor" corkscrew 1947; French corkscrew.\*

\* cited by examiner

*Primary Examiner*—Caron D. Veynar

(74) *Attorney, Agent, or Firm*—Fish & Richardson P.C.

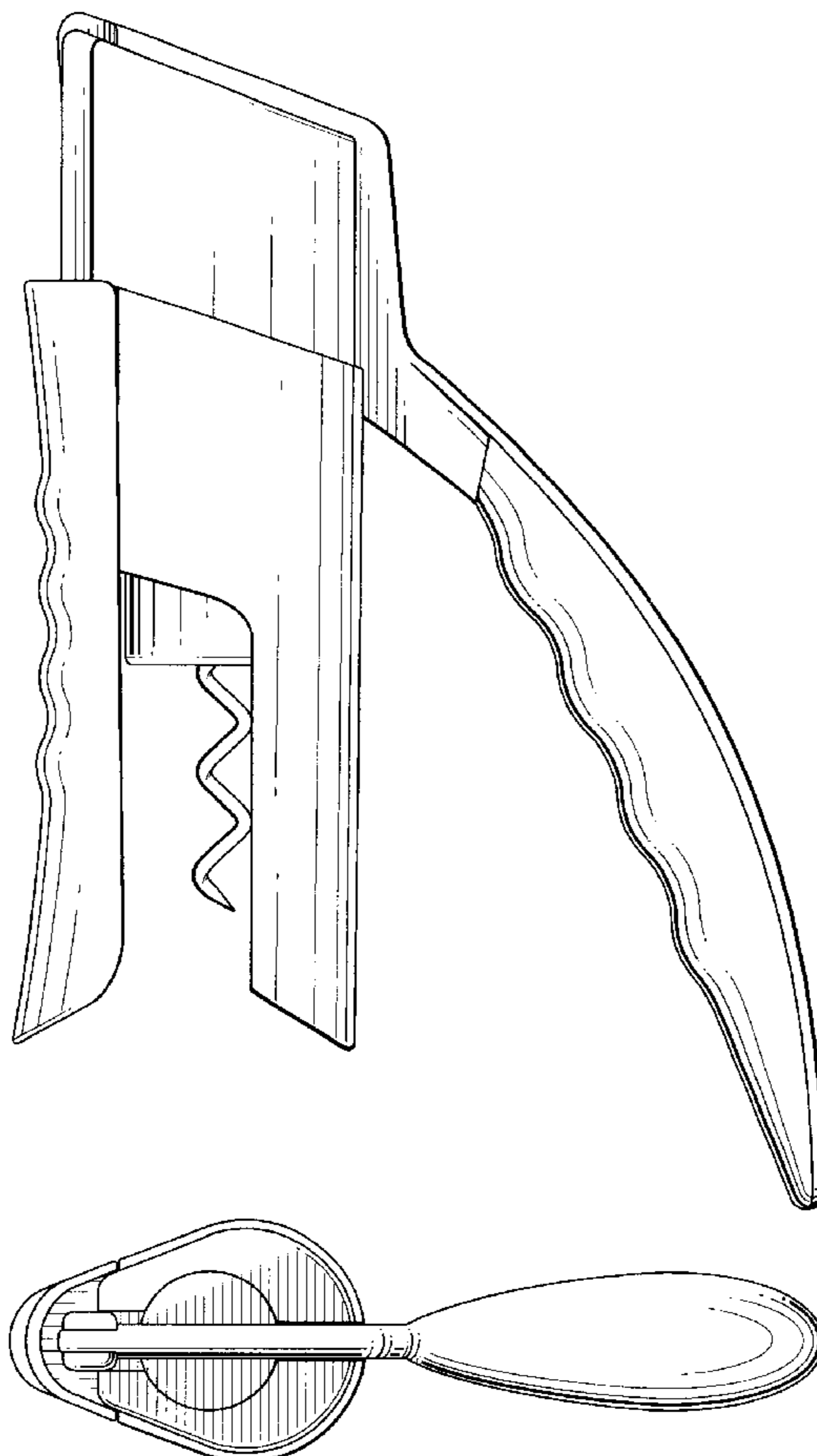
(57) **CLAIM**

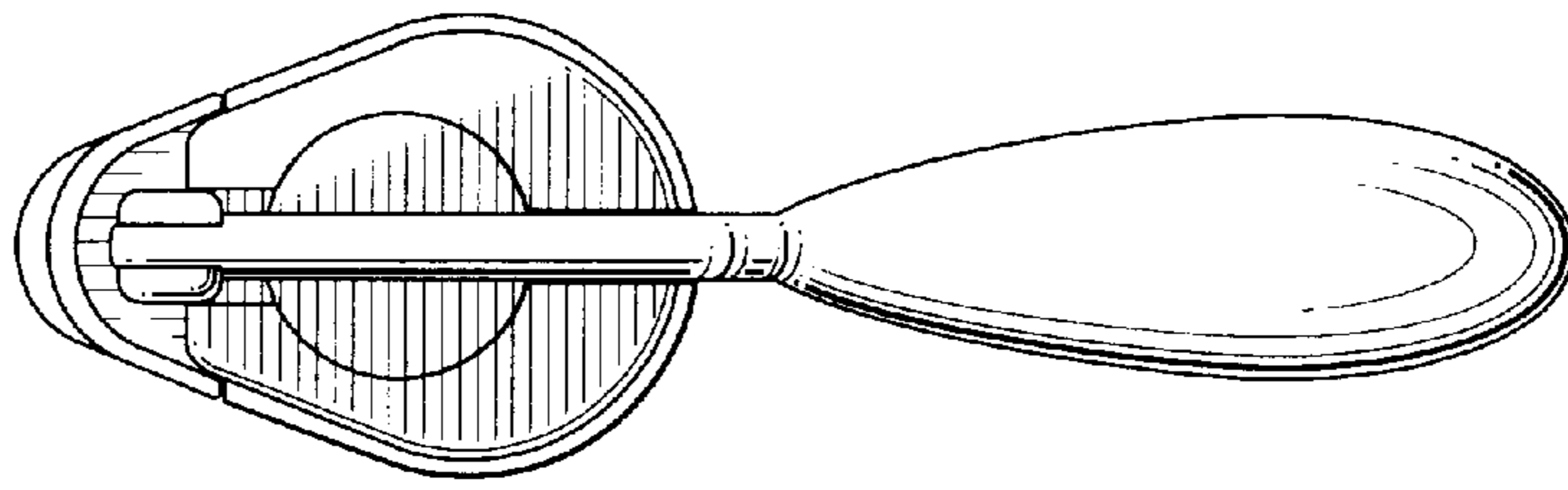
The ornamental design for a corkscrew, as shown and described.

**DESCRIPTION**

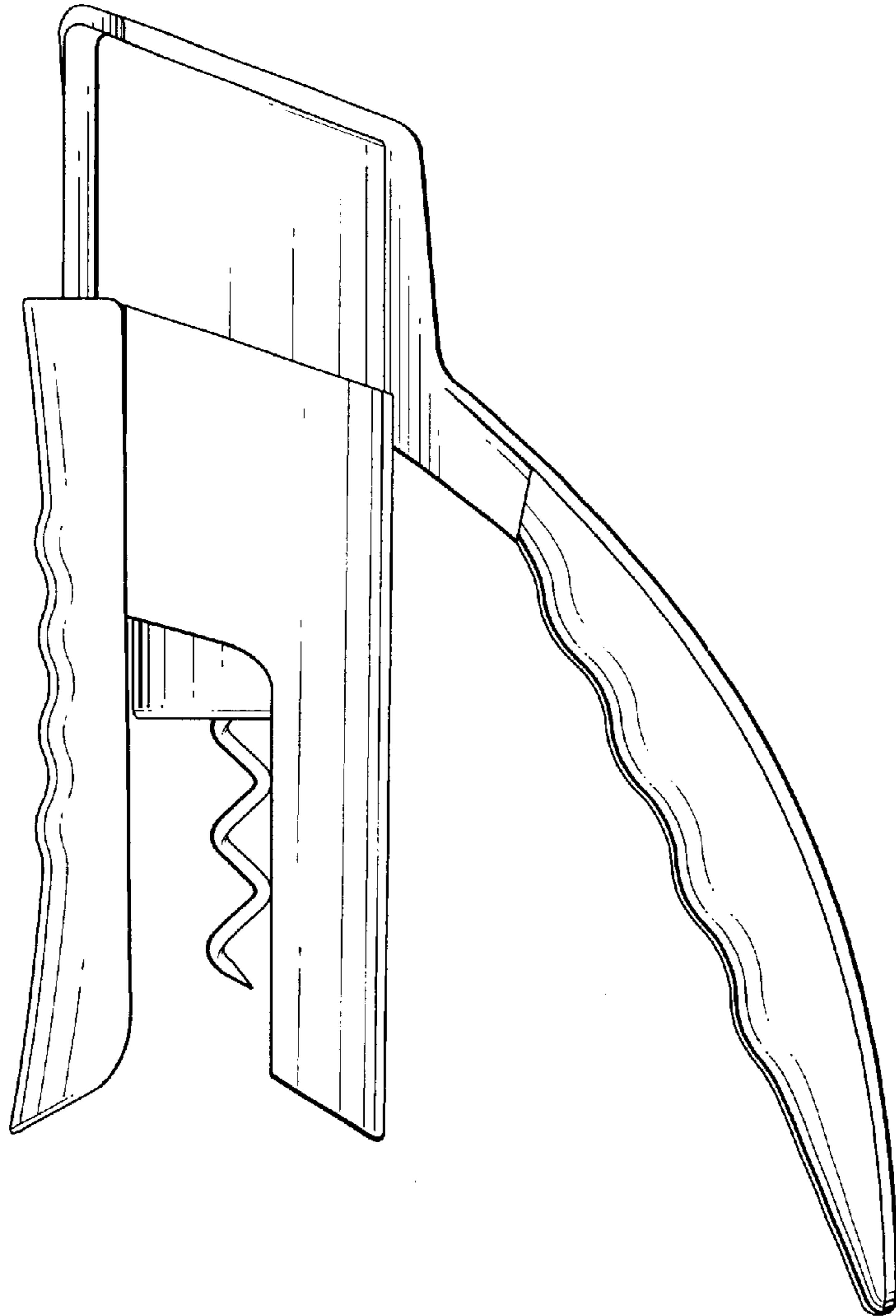
FIG. 1 is a left side elevational view of a corkscrew according to the design;  
FIG. 2 is a top plan view of the corkscrew of FIG. 1;  
FIG. 3 is a bottom plan view of the corkscrew of FIG. 1;  
FIG. 4 is a rear elevational view of the corkscrew of FIG. 1;  
FIG. 5 is a right side elevational view of the corkscrew of FIG. 1; and,  
FIG. 6 is a front elevational view of the corkscrew of FIG. 1.

**1 Claim, 2 Drawing Sheets**

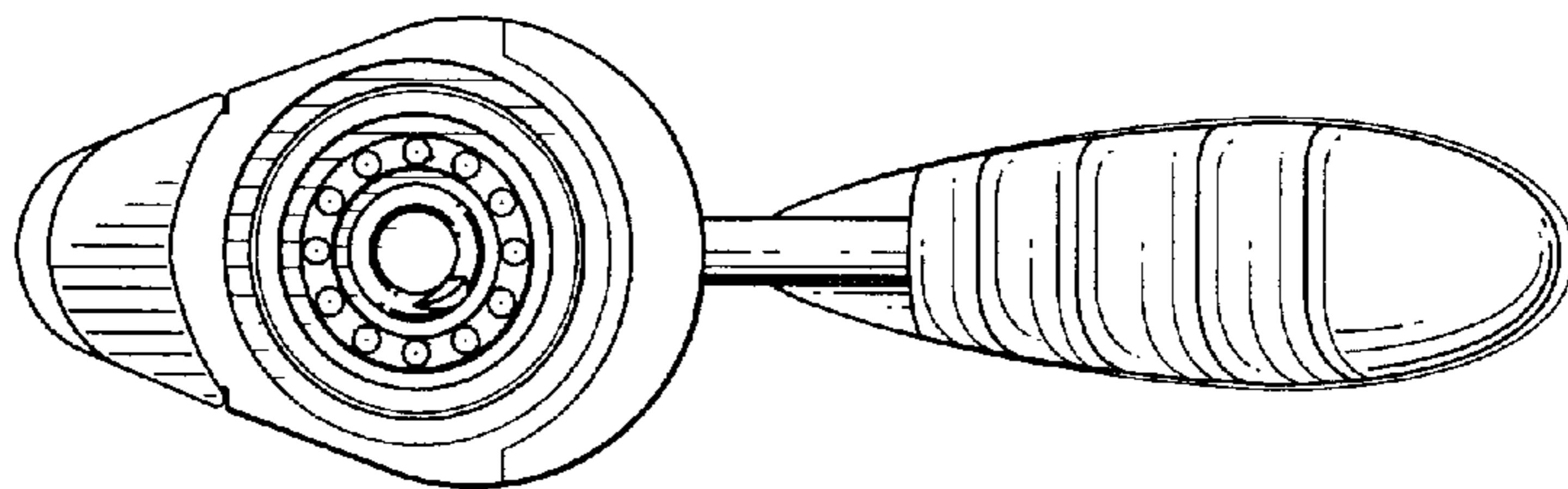




**Fig. 2**



**Fig. 1**



**Fig. 3**

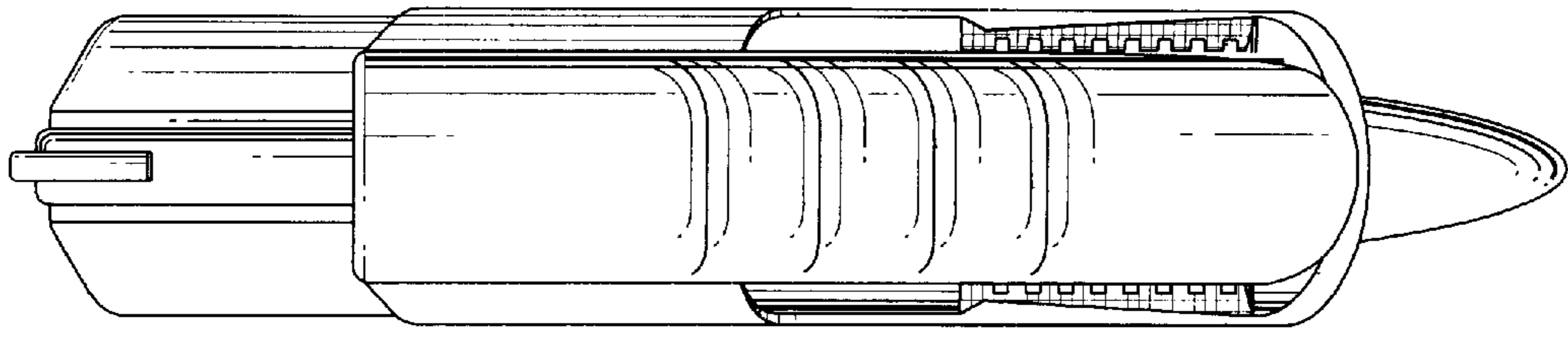


Fig. 6

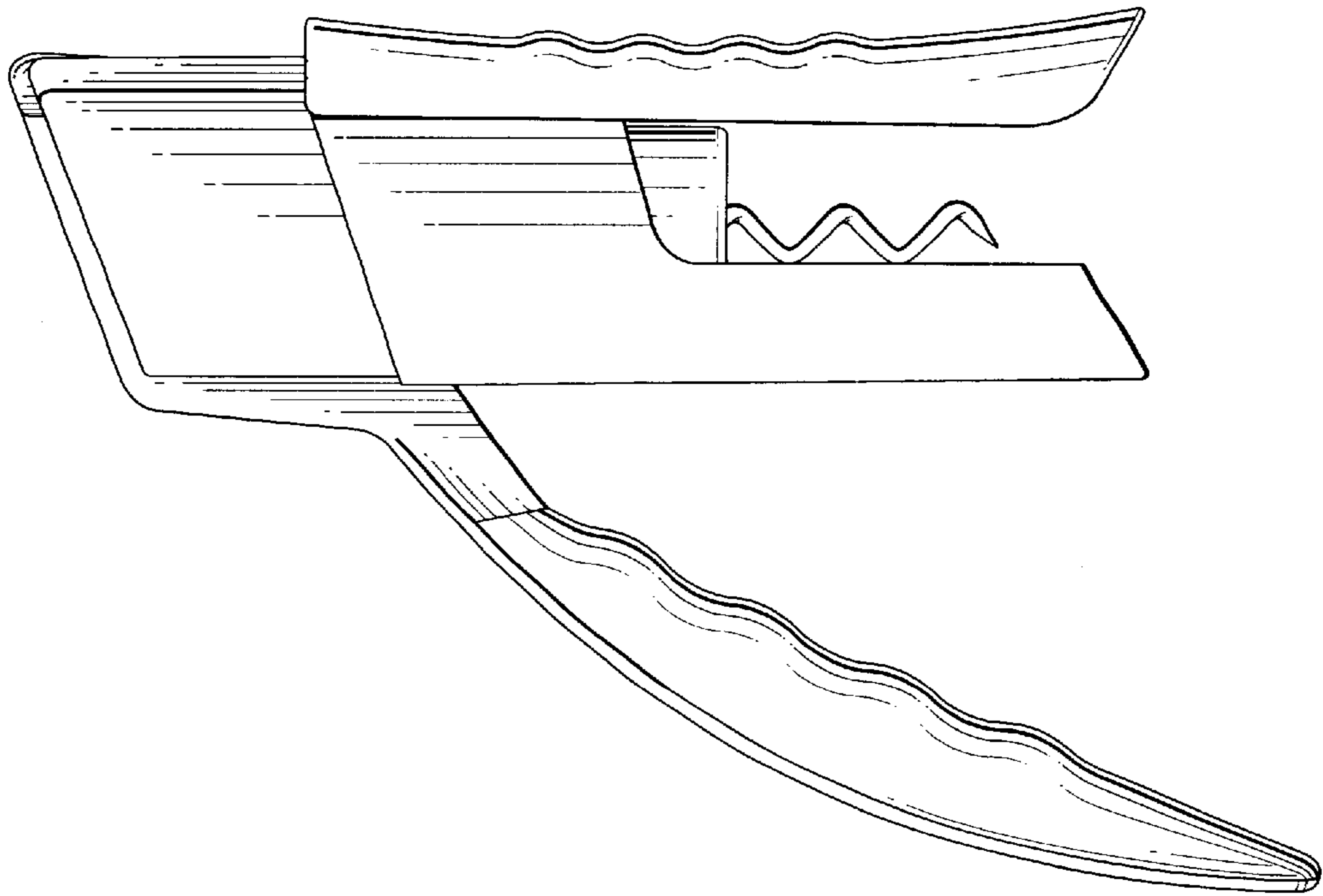


Fig. 5

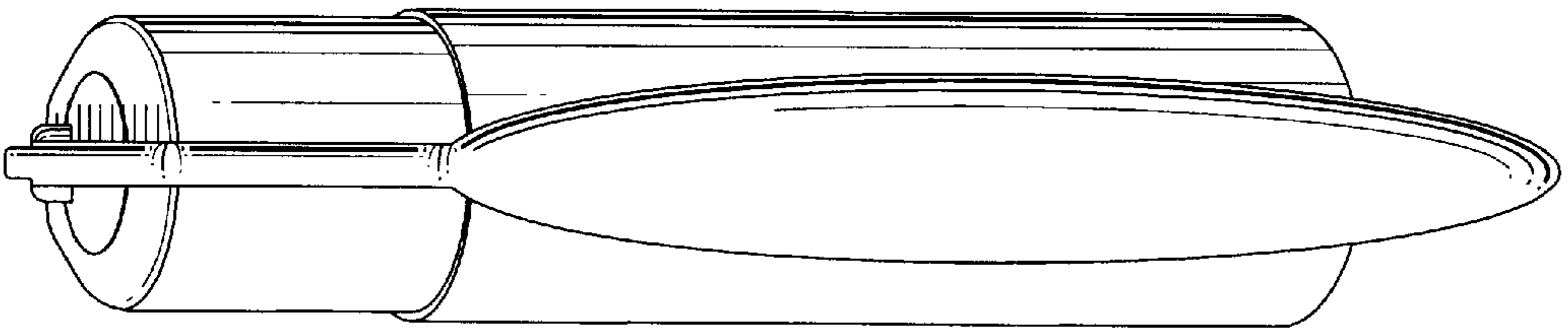


Fig. 4