



US00D463233S

(12) **United States Design Patent**
Salazar et al.

(10) **Patent No.:** **US D463,233 S**

(45) **Date of Patent:** **** Sep. 24, 2002**

(54) **RATCHETING ADJUSTABLE WRENCH**

(76) Inventors: **Ricardo Salazar**, 12522 Arlington Pl., Chino, CA (US) 91710; **Garney J. Baumgardener**, 22902 Colombard La., Unit 3, Diamond Bar, CA (US) 91765; **Lawrence C. Vail**, 22902 Colombard La., Unit 2, Diamond Bar, CA (US) 91765

(**) Term: **14 Years**

(21) Appl. No.: **29/146,564**

(22) Filed: **Aug. 11, 2001**

(51) **LOC (7) Cl.** **08-05**

(52) **U.S. Cl.** **D8/22**

(58) **Field of Search** D8/17, 21-29; 81/165, 166-169, 170, 119, 186, 177.1

(56) **References Cited**

U.S. PATENT DOCUMENTS

3,858,464 A * 1/1975 Evans 81/119

D321,311 S * 11/1991 Toyoshima D8/22
5,305,667 A * 4/1994 Caballero 81/165
6,089,131 A * 7/2000 Taimiot 81/166
6,223,631 B1 * 5/2001 Osa 81/165

* cited by examiner

Primary Examiner—Raphael Barkai

(57) **CLAIM**

The ornamental design for a ratcheting adjustable wrench, as shown and described.

DESCRIPTION

FIG. 1 is a perspective view of our ratcheting adjustable wrench showing our new design; FIG. 2 is a right side elevation view thereof; FIG. 3 is a left side elevation view thereof; FIG. 4 is a top elevation view thereof; FIG. 5 is a bottom elevation view thereof; FIG. 6 is a rear elevation view thereof; and, FIG. 7 is a front elevation view thereof.

1 Claim, 3 Drawing Sheets

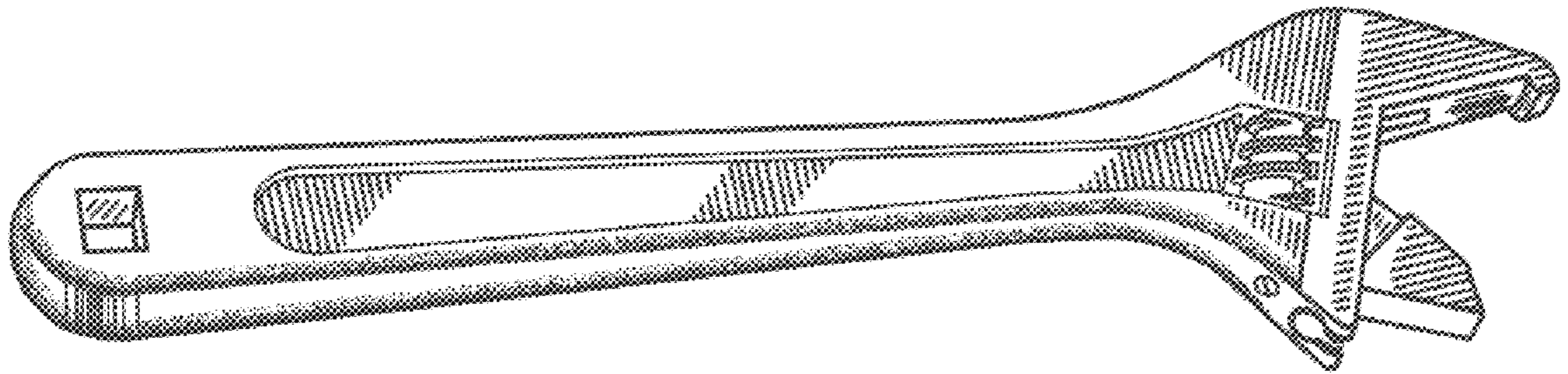


FIG. 1

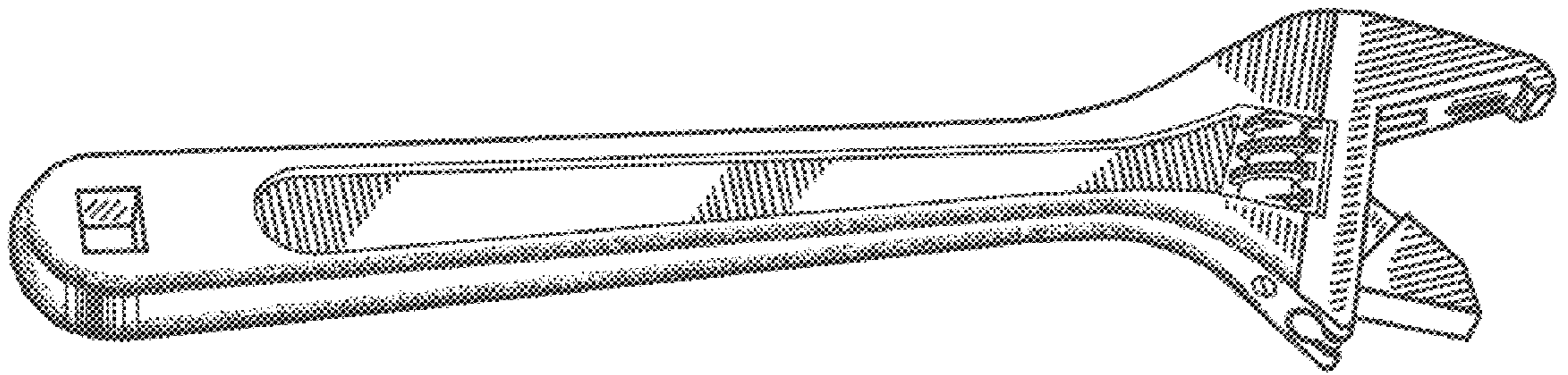


FIG. 2

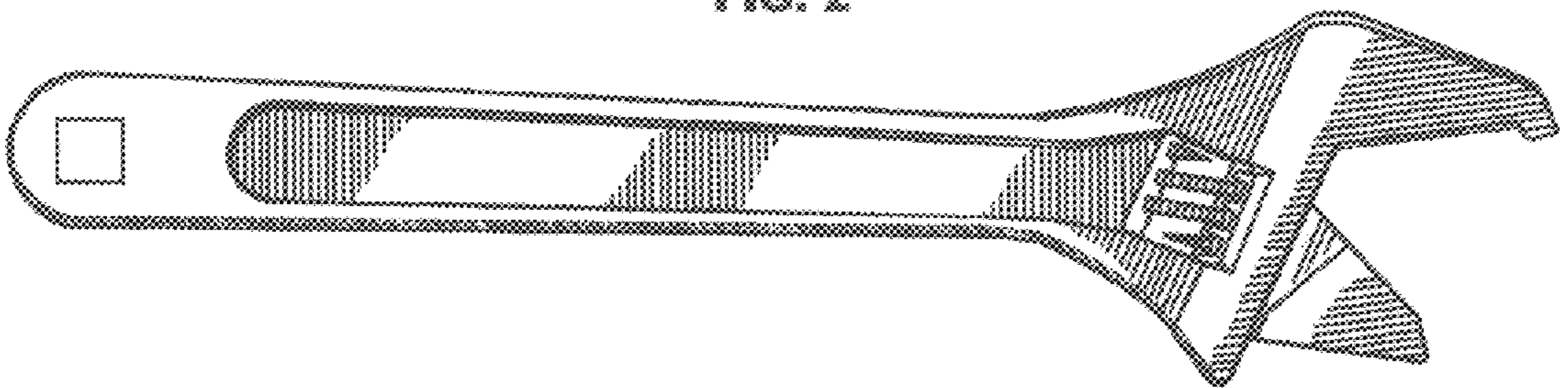


FIG. 3

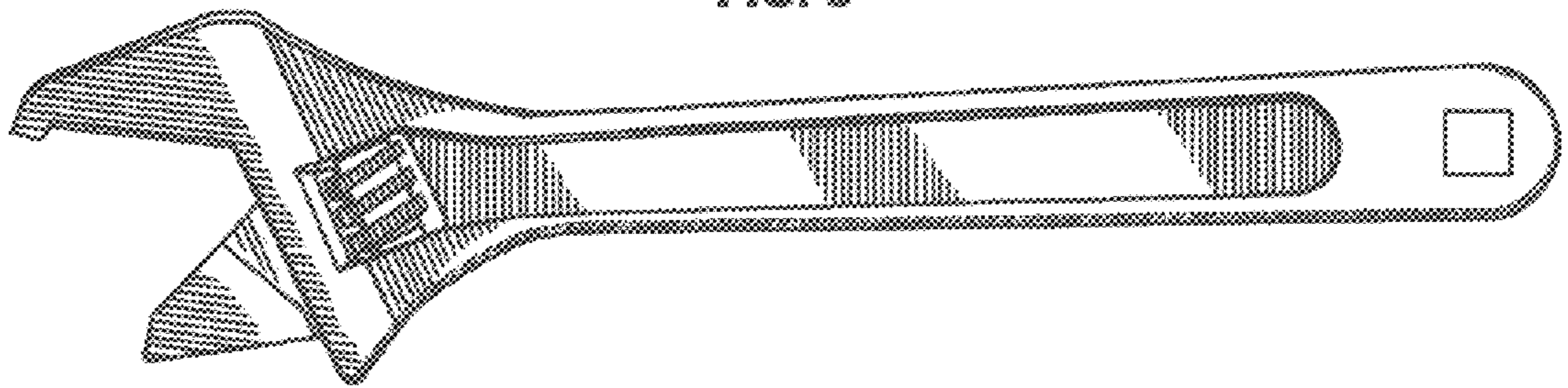


FIG. 4



FIG. 5

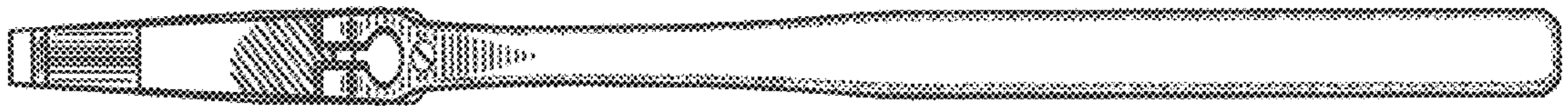


FIG. 6



FIG. 7

