



US00D463232S

(12) **United States Design Patent**
Newton, Sr.

(10) **Patent No.:** **US D463,232 S**

(45) **Date of Patent:** **** Sep. 24, 2002**

(54) **PIPE SEALING TOOL**

(75) Inventor: **James R. Newton, Sr.**, Moultrie, GA
(US)

(73) Assignee: **Patent Resources, L. P.**, Moultrie, GA
(US)

(**) Term: **14 Years**

(21) Appl. No.: **29/151,885**

(22) Filed: **Dec. 14, 2001**

(51) **LOC (7) Cl.** **08-05**

(52) **U.S. Cl.** **D8/14; D8/51**

(58) **Field of Search** D8/14, 51; 138/89,
138/90, 97

(56) **References Cited**

U.S. PATENT DOCUMENTS

- 2,756,779 A * 7/1956 Tratzik et al. 138/89
- 3,704,729 A * 12/1972 Tomlinson 138/90
- 5,224,516 A * 7/1993 McGovern et al. 138/89

- 5,797,431 A * 8/1998 Adams 138/89
- 6,170,530 B1 * 1/2001 Steblina 138/89
- 6,257,266 B1 * 7/2001 Valdez 137/15.08

* cited by examiner

Primary Examiner—Philip S. Hyder

(74) *Attorney, Agent, or Firm*—Michael W. York

(57) **CLAIM**

The ornamental design for a pipe sealing tool, as shown and described.

DESCRIPTION

FIG. 1 is a side elevational view of a pipe sealing tool showing my new design, the opposite side elevational view being a mirror image;

FIG. 2 is a top plan view thereof;

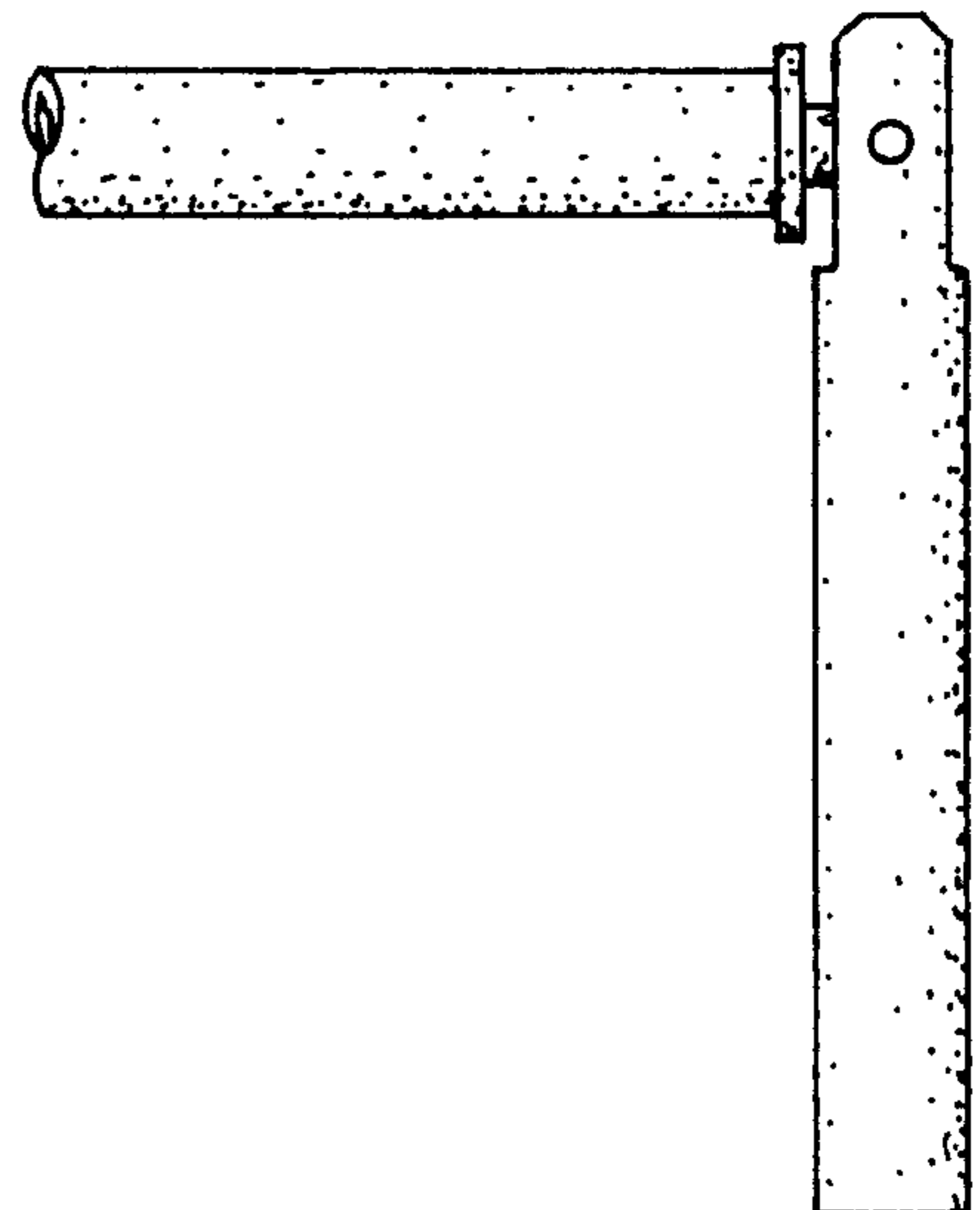
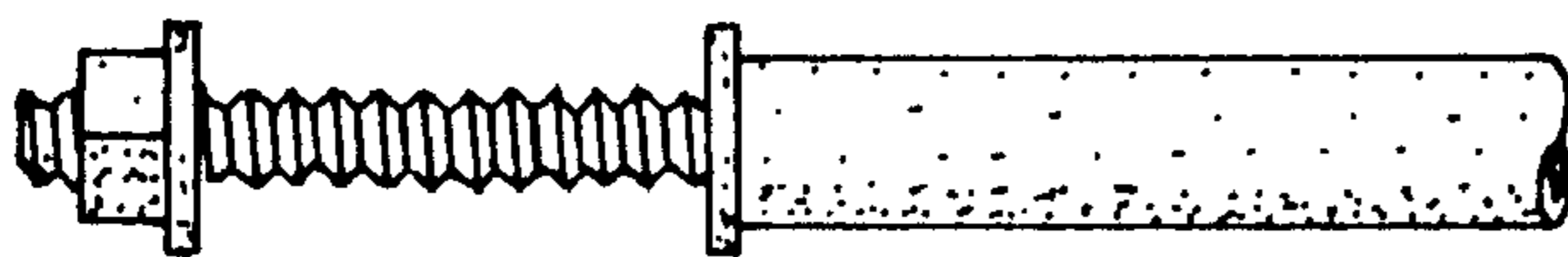
FIG. 3 is a bottom plan view thereof;

FIG. 4 is a front elevational view thereof; and,

FIG. 5 is a rear elevational view thereof.

The pipe sealing tool is shown broken away in the views to indicate indeterminate length.

1 Claim, 1 Drawing Sheet



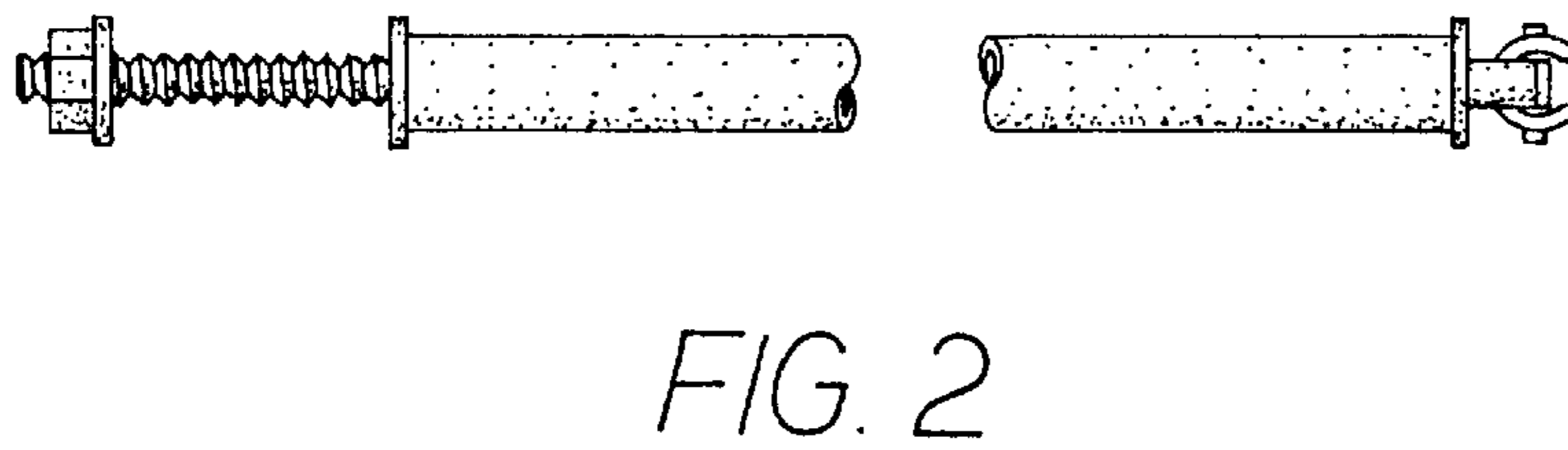
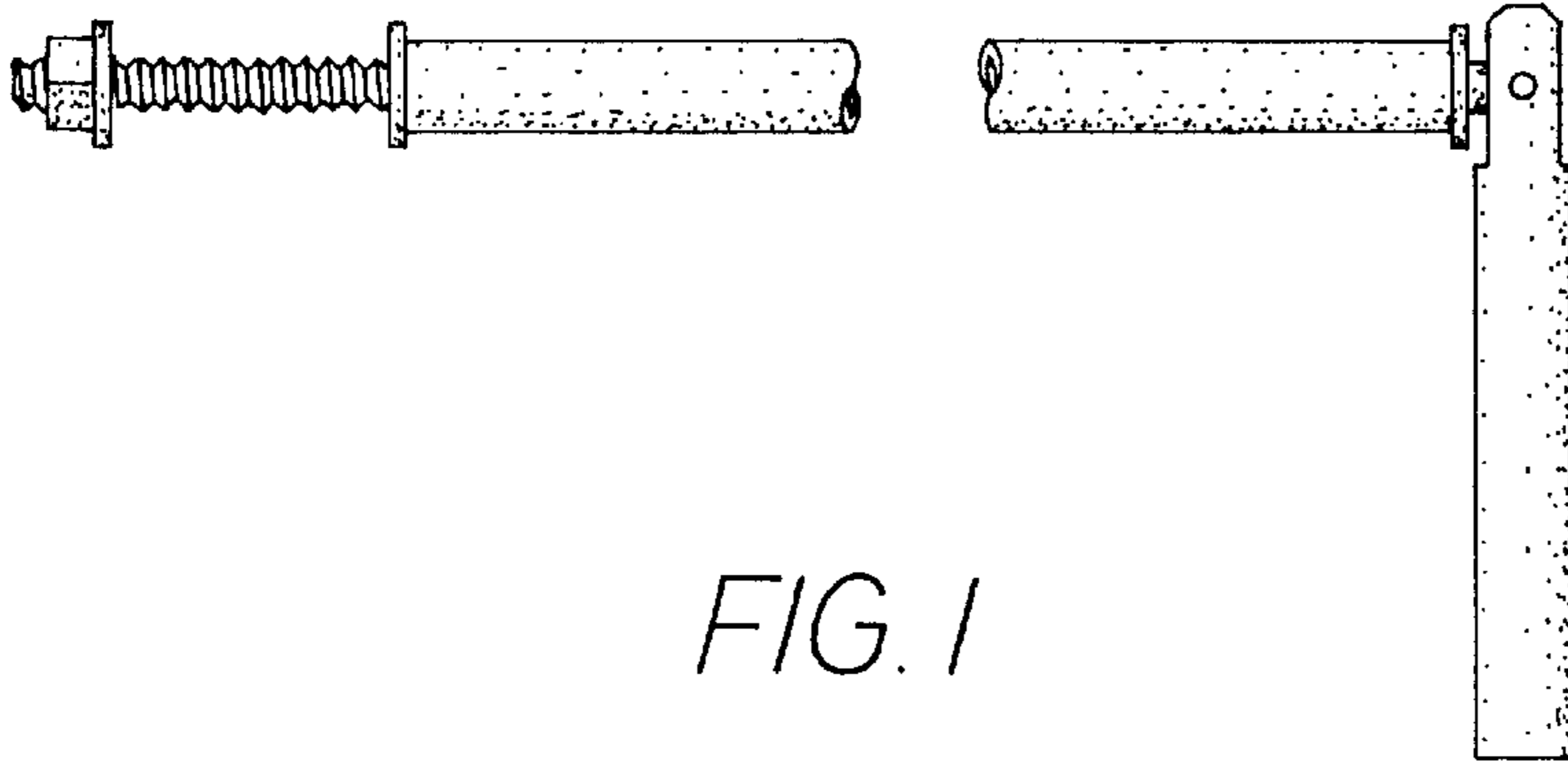


FIG. 4

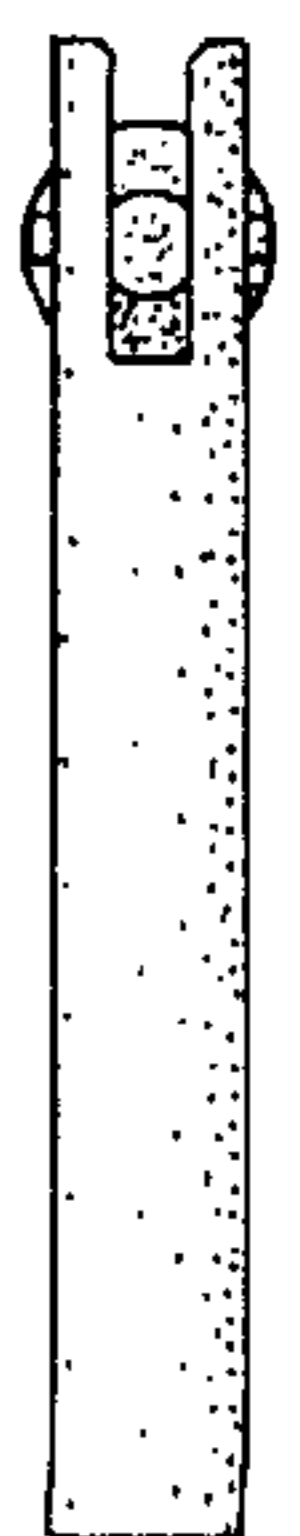
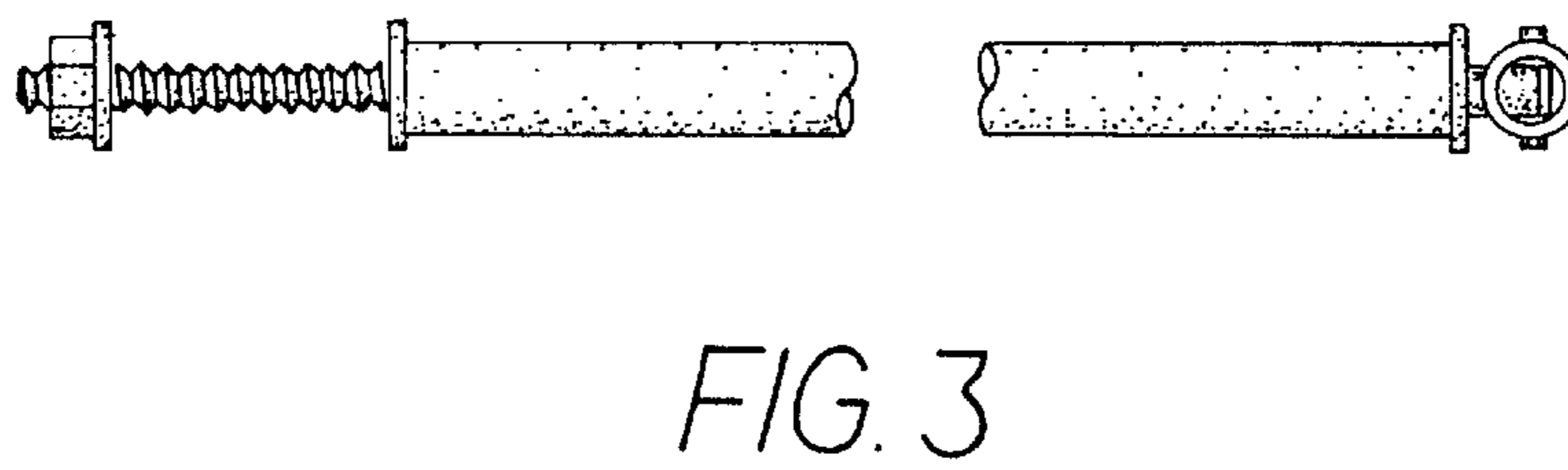


FIG. 5