



US00D463231S

(12) **United States Design Patent**
Robson

(10) **Patent No.:** **US D463,231 S**

(45) **Date of Patent:** **** Sep. 24, 2002**

(54) **STRING TRIMMER**

(75) **Inventor:** **Nigel Robson, Durham (GB)**

(73) **Assignee:** **Black & Decker, Newark, DE (US)**

(**) **Term:** **14 Years**

D391,128 S	2/1998	Somers	
D394,991 S	6/1998	Meisner et al.	
D398,817 S	9/1998	Meisner et al.	
D414,388 S	9/1999	Wright	
5,987,756 A	* 11/1999	Yates et al.	30/276
D437,580 S	2/2001	Marshall et al.	
D446,699 S	8/2001	Marshall et al.	

(21) **Appl. No.:** **29/143,595**

(22) **Filed:** **Jun. 15, 2001**

(30) **Foreign Application Priority Data**

Nov. 28, 2000 (GB) 2097770

(51) **LOC (7) Cl.** **08-01**

(52) **U.S. Cl.** **D8/8**

(58) **Field of Search** D8/8, 1, 7, 9;
D30/276, 122; 172/13, 14, 16; 56/12.7,
12.1, 1

(56) **References Cited**

U.S. PATENT DOCUMENTS

D37,743 S	12/1905	Ward	
D354,892 S	* 1/1995	Griffin	D8/8
D374,381 S	10/1996	Meisner et al.	
5,594,990 A	* 1/1997	Brant et al.	172/14
D377,743 S	2/1997	DeMore et al.	
D379,748 S	6/1997	Reekie et al.	
D380,129 S	* 6/1997	Melsner et al.	D8/8
D380,359 S	7/1997	Meisner et al.	
D382,450 S	8/1997	Meisner et al.	
D382,778 S	8/1997	Meisner et al.	
D382,779 S	8/1997	Meisner et al.	
D382,780 S	8/1997	Meisner et al.	

OTHER PUBLICATIONS

Black & Decker Outdoor Products Catalog (pp. 6-9) undated.

* cited by examiner

Primary Examiner—Pamela Burgess

(74) *Attorney, Agent, or Firm*—Ajay K. Gambhir

(57) **CLAIM**

The ornamental design for a string trimmer, as shown and described.

DESCRIPTION

FIG. 1 is a perspective view of the string trimmer taken from the front and one side;

FIG. 2 is a side view taken from the side illustrated in FIG. 1;

FIG. 3 is a side view taken from the side opposite that illustrated in FIG. 2;

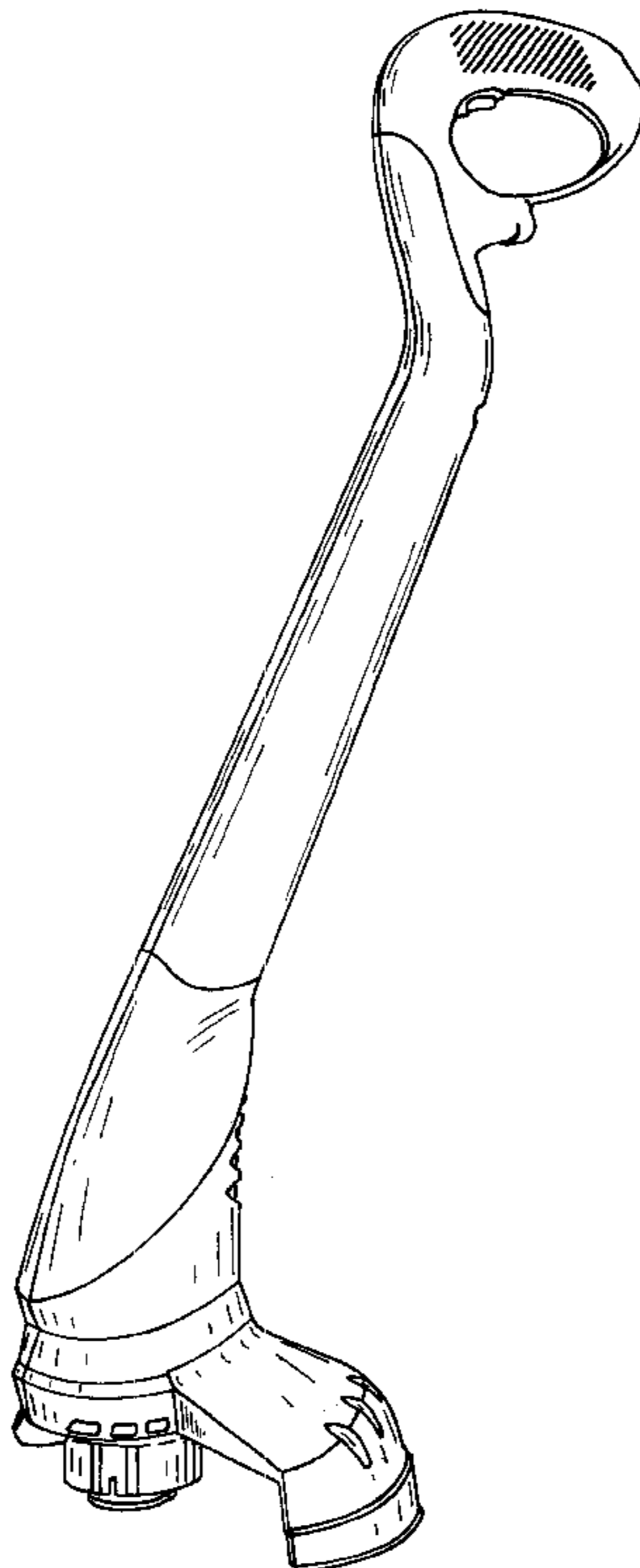
FIG. 4 is a front view thereof;

FIG. 5 is a rear view thereof;

FIG. 6 is a top view thereof; and,

FIG. 7 is a bottom view thereof.

1 Claim, 6 Drawing Sheets



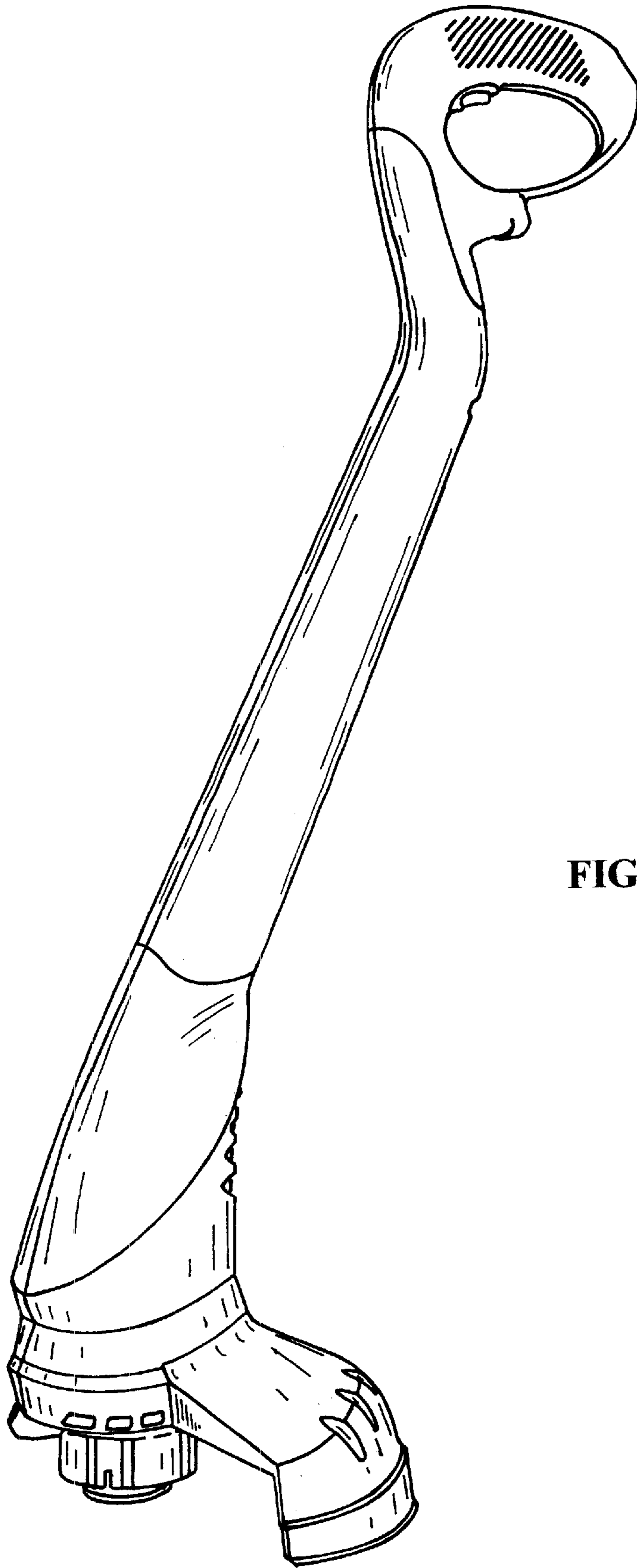


FIG. 1

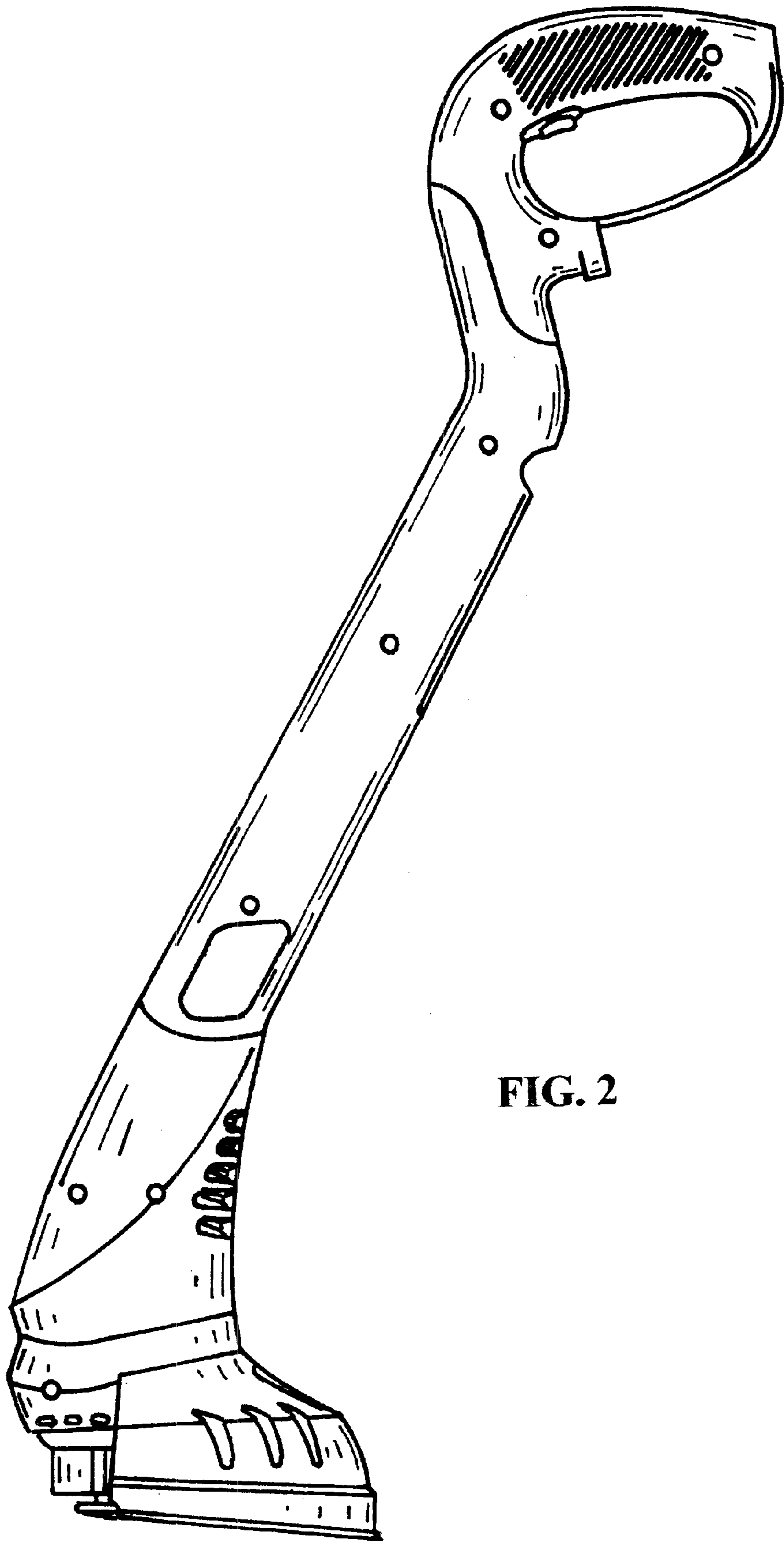


FIG. 2

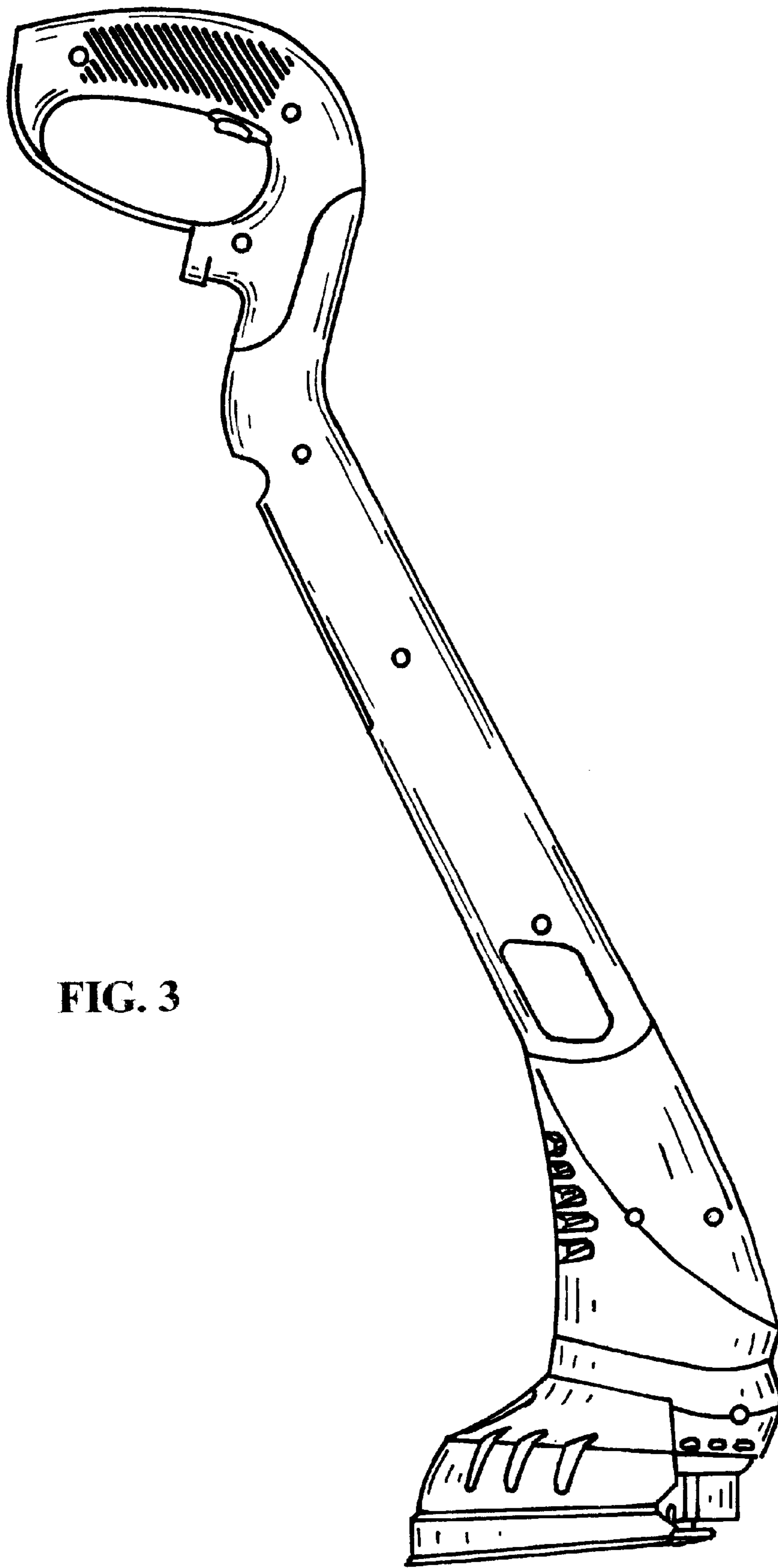


FIG. 3

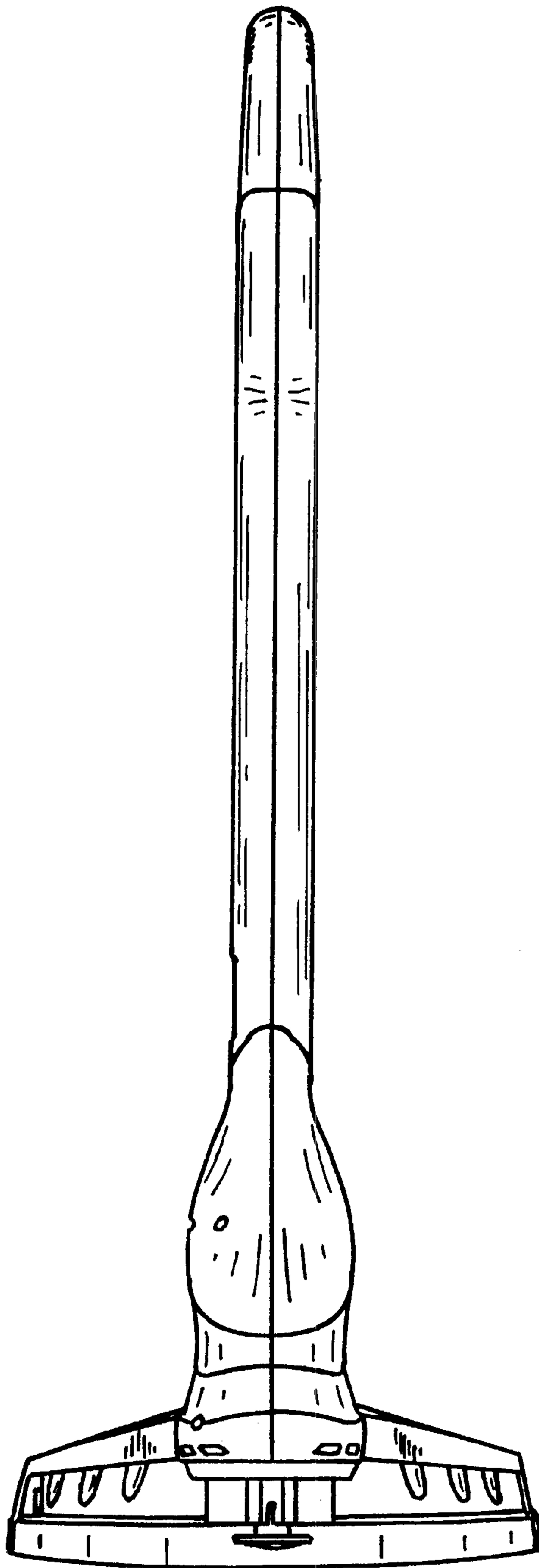


FIG. 4

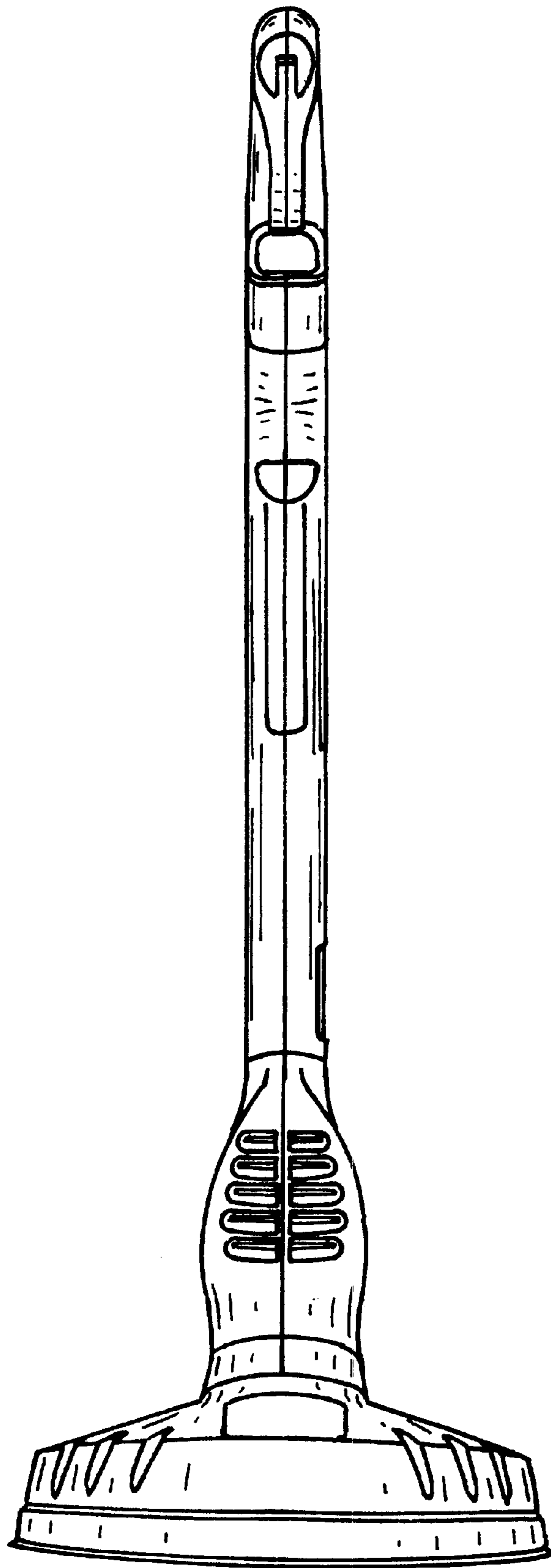


FIG. 5

FIG. 7

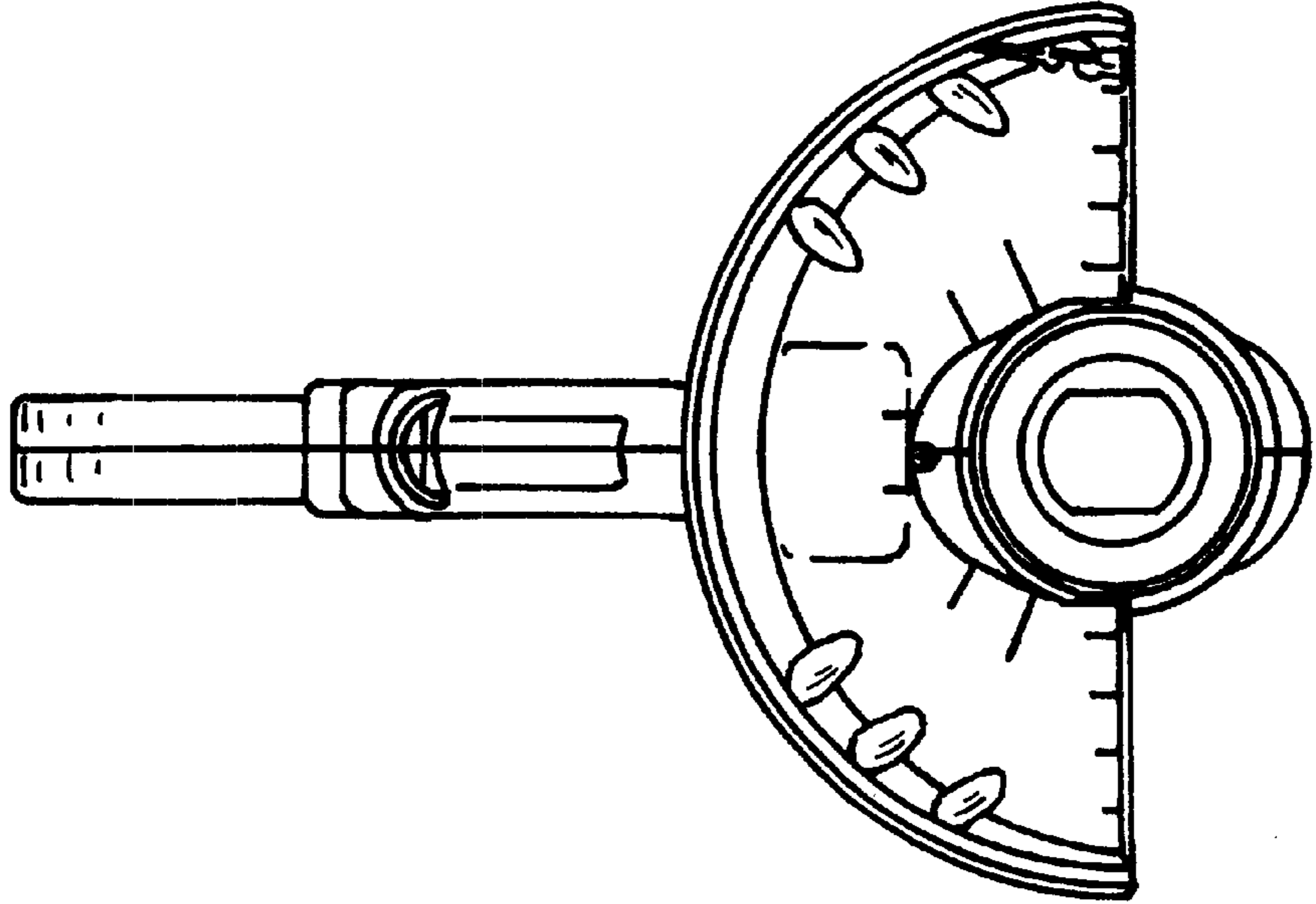


FIG. 6

