



US00D463230S

(12) **United States Design Patent**  
**Robson**

(10) **Patent No.:** **US D463,230 S**

(45) **Date of Patent:** **\*\* Sep. 24, 2002**

(54) **GUARD FOR A STRING TRIMMER**

(75) Inventor: **Nigel Robson**, Newton Hall (GB)

(73) Assignee: **Black & Decker Inc.**, Newark, DE (US)

(\*\*) Term: **14 Years**

(21) Appl. No.: **29/143,262**

(22) Filed: **Jun. 11, 2001**

(30) **Foreign Application Priority Data**

Dec. 14, 2000 (GB) ..... 2098177

(51) **LOC (7) Cl.** ..... **08-01**

(52) **U.S. Cl.** ..... **D8/8**

(58) **Field of Search** ..... D8/1, 7, 9, 8;  
30/122, 276; 56/12.7, 12.1, 1; 172/13, 14,  
16

(56) **References Cited**

**U.S. PATENT DOCUMENTS**

D37,743 S	12/1905	Ward	
4,282,653 A *	8/1981	Comer et al. ....	56/12.7
D361,701 S *	8/1995	Pink .....	D8/8
D374,381 S	10/1996	Meisner et al.	
D377,743 S	2/1997	DeMore et al.	
D379,748 S	6/1997	Reekie et al.	
D380,129 S	6/1997	Meisner et al.	
D380,359 S	7/1997	Meisner et al.	
D382,450 S	8/1997	Meisner et al.	
D382,778 S	8/1997	Meisner et al.	
D382,779 S	8/1997	Meisner et al.	
D382,780 S	8/1997	Meisner et al.	
D391,128 S	2/1998	Somers	
D394,991 S	6/1998	Meisner et al.	

D398,817 S	9/1998	Meisner et al.	
D414,388 S	9/1999	Wright	
D417,371 S *	12/1999	Searle et al. ....	D8/8
6,052,976 A *	4/2000	Cellini et al. ....	172/13
D437,580 S	2/2001	Marshall et al.	
D446,699 S	8/2001	Marshall et al.	

**OTHER PUBLICATIONS**

Black & Decker Outdoor Products Catalog (pp. 6-9) undated.

\* cited by examiner

*Primary Examiner*—Pamela Burgess

(74) *Attorney, Agent, or Firm*—Ajay K. Gambhir

(57) **CLAIM**

The ornamental design for a guard for a string trimmer, as shown and described.

**DESCRIPTION**

FIG. 1 is a perspective view of a guard for a string trimmer showing my new design;

FIG. 2 is a side elevational view thereof taken from the side shown in FIG. 1;

FIG. 3 is a side elevational view thereof taken from the side opposite that illustrated in FIG. 2;

FIG. 4 is a top plan view thereof;

FIG. 5 is a bottom plan view thereof;

FIG. 6 is a front elevational view thereof;

FIG. 7 is a rear elevational view thereof;

FIG. 8 is a side elevational view taken from the side shown in FIG. 2 with the guard in a first position; and,

FIG. 9 is a side elevational view taken from the side shown in FIG. 2 with the guard in a second position.

**1 Claim, 9 Drawing Sheets**

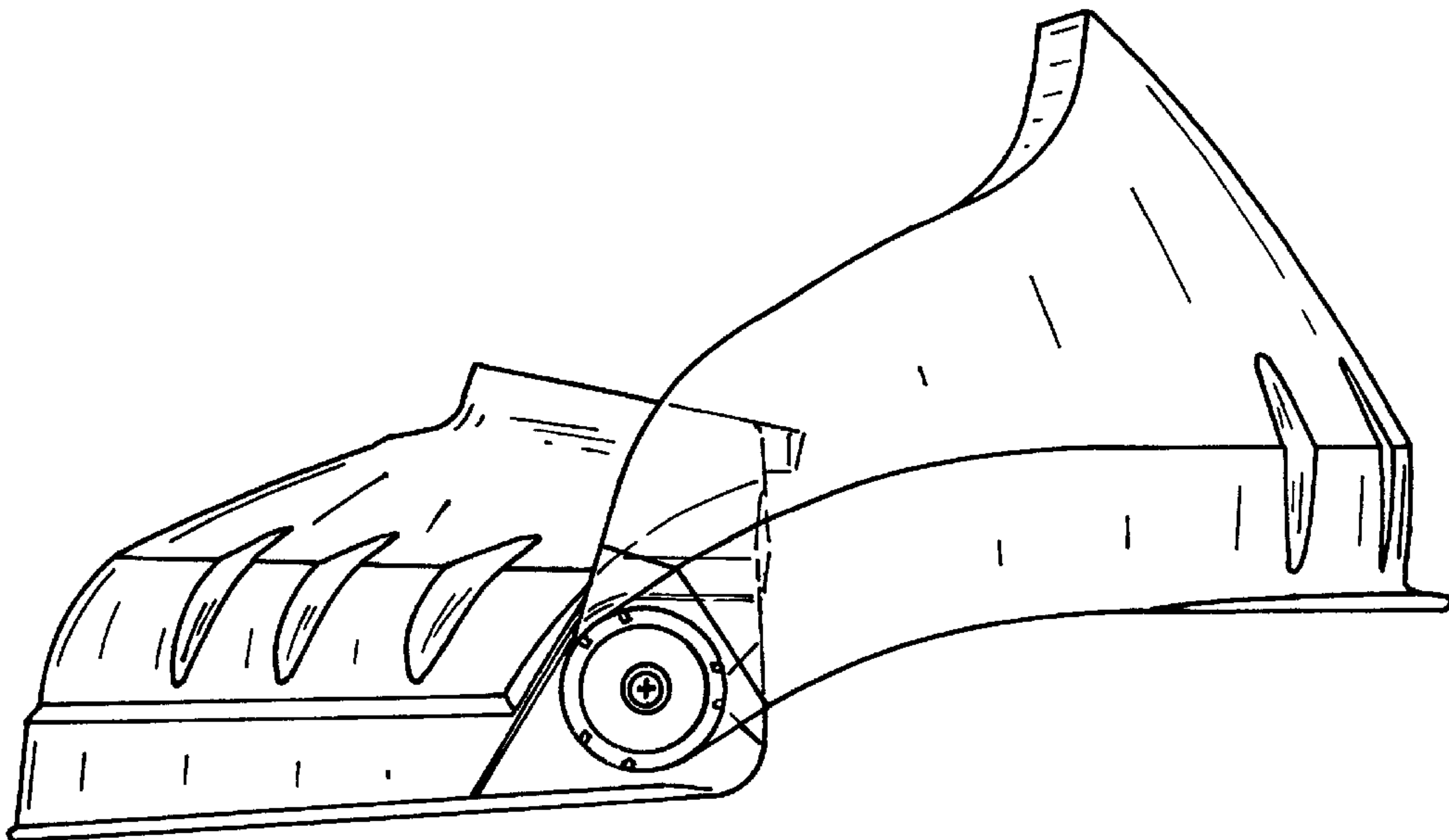
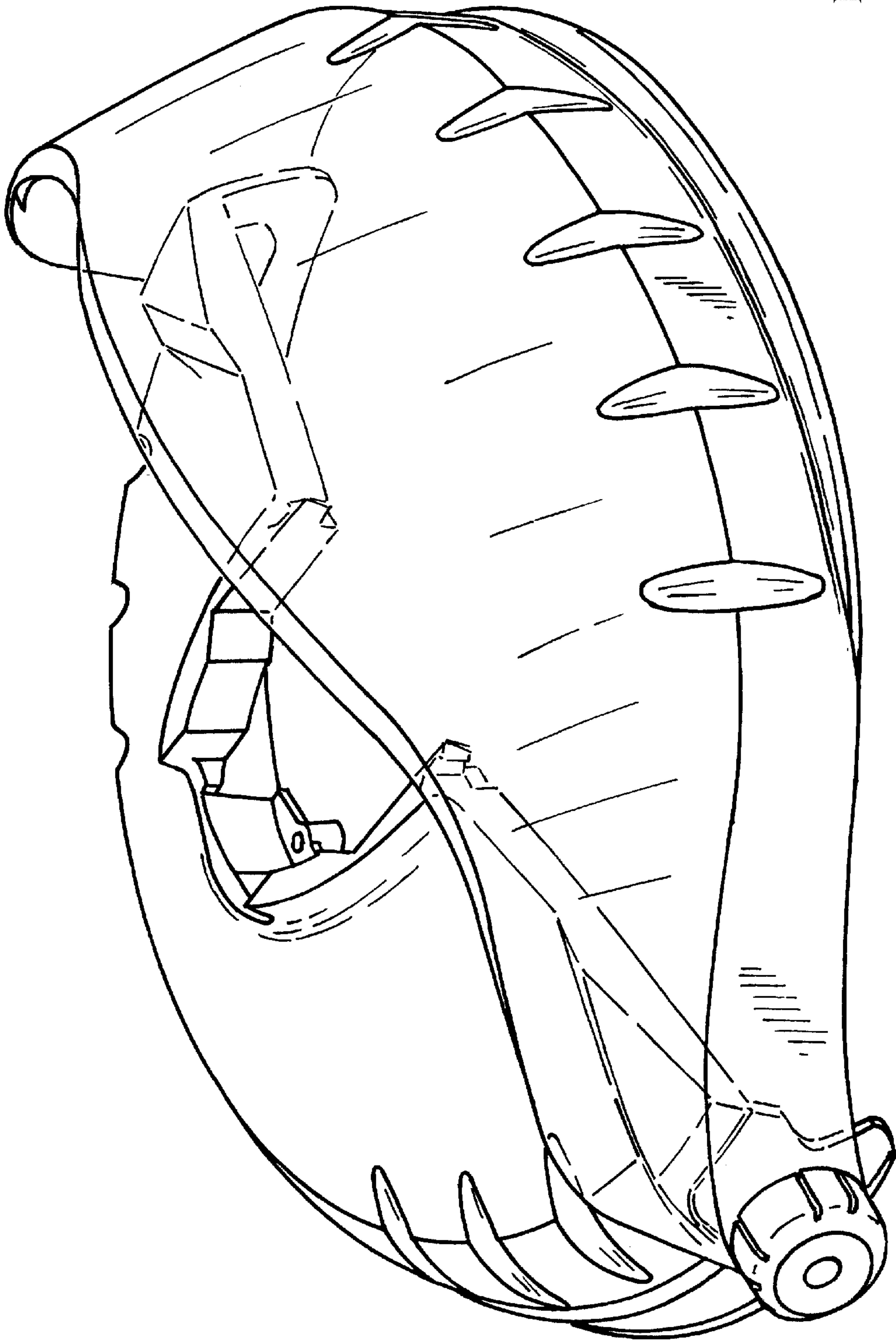


FIG. 1



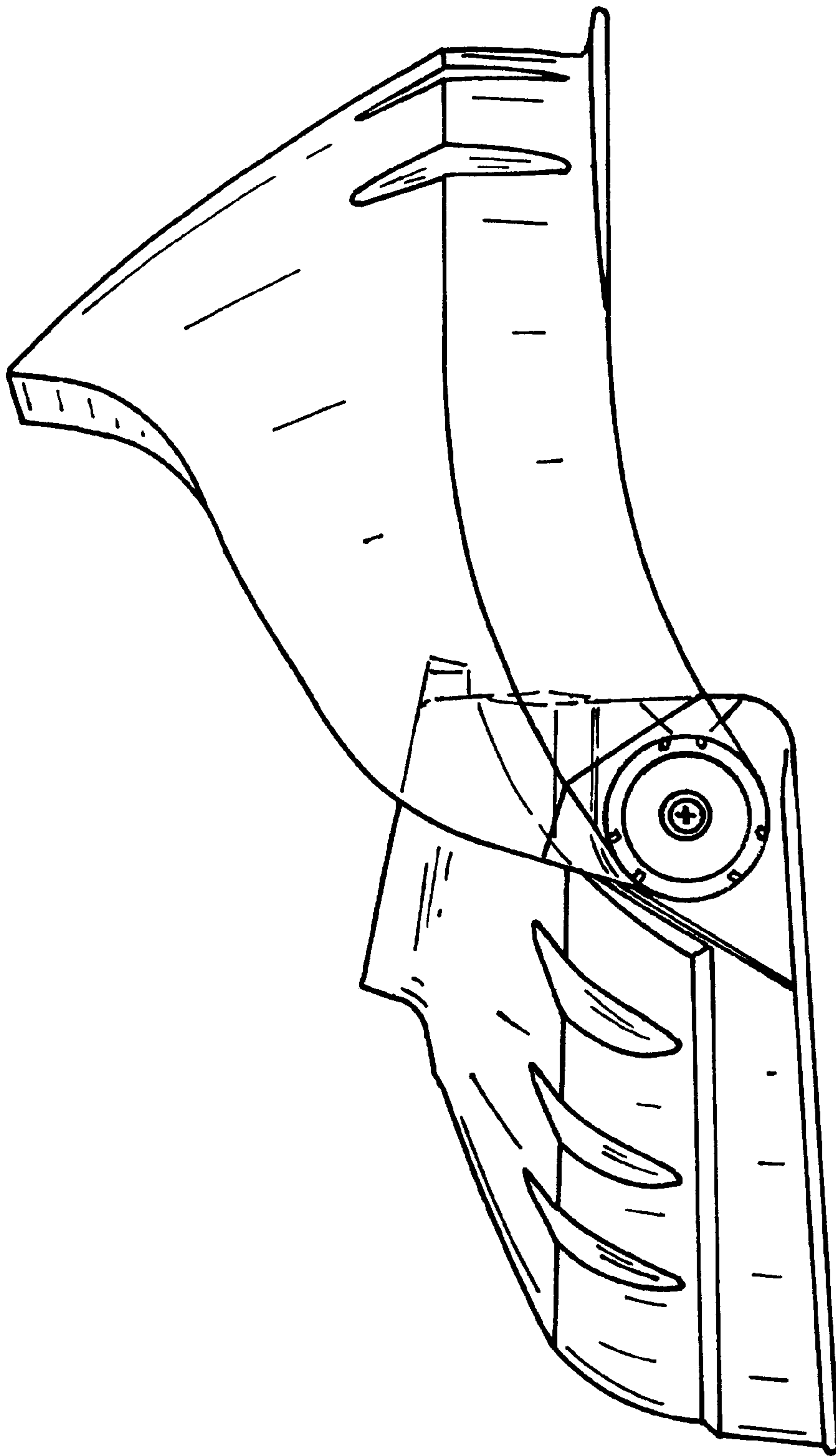


FIG. 2

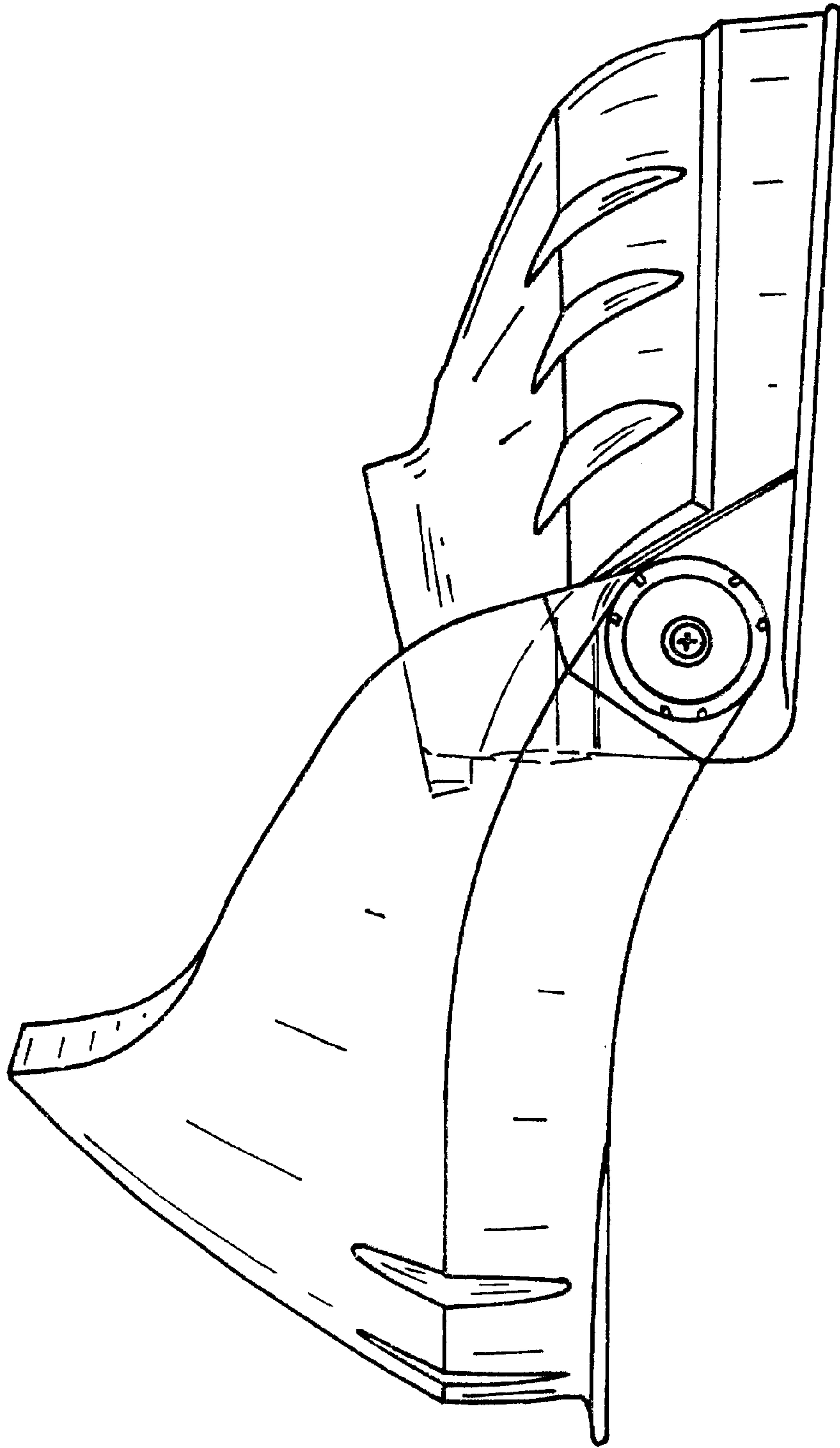


FIG. 3



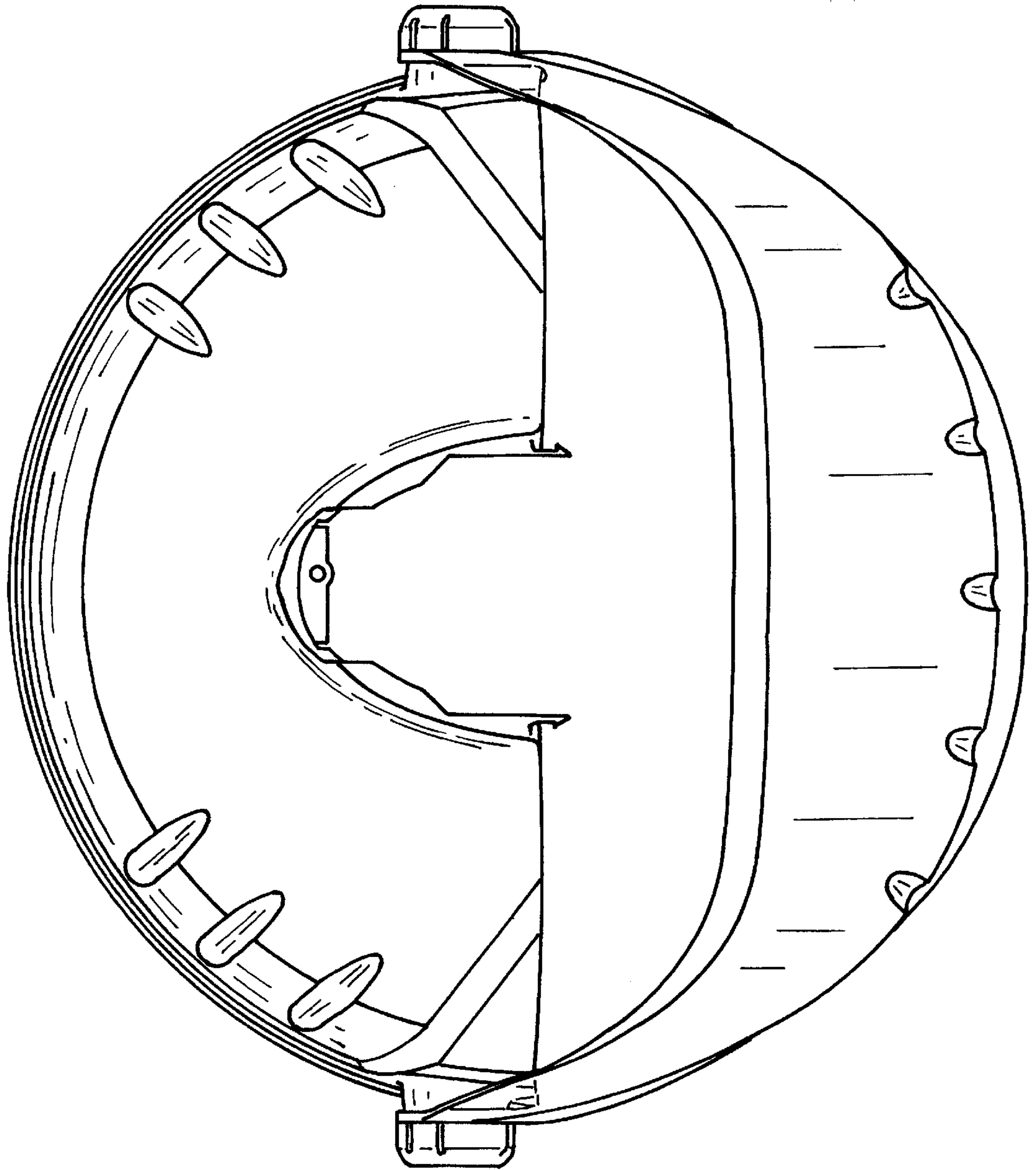


FIG. 4

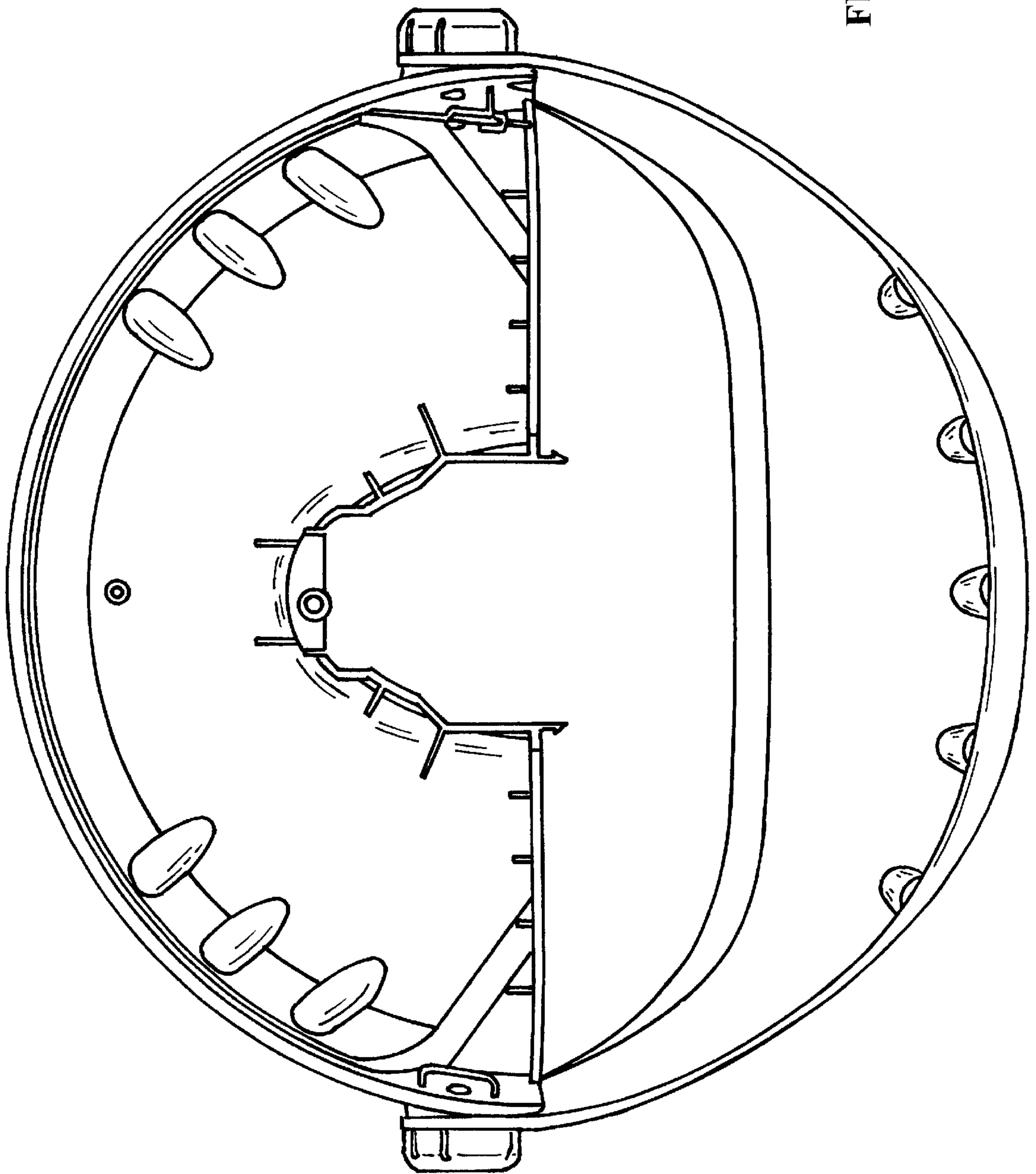


FIG. 5

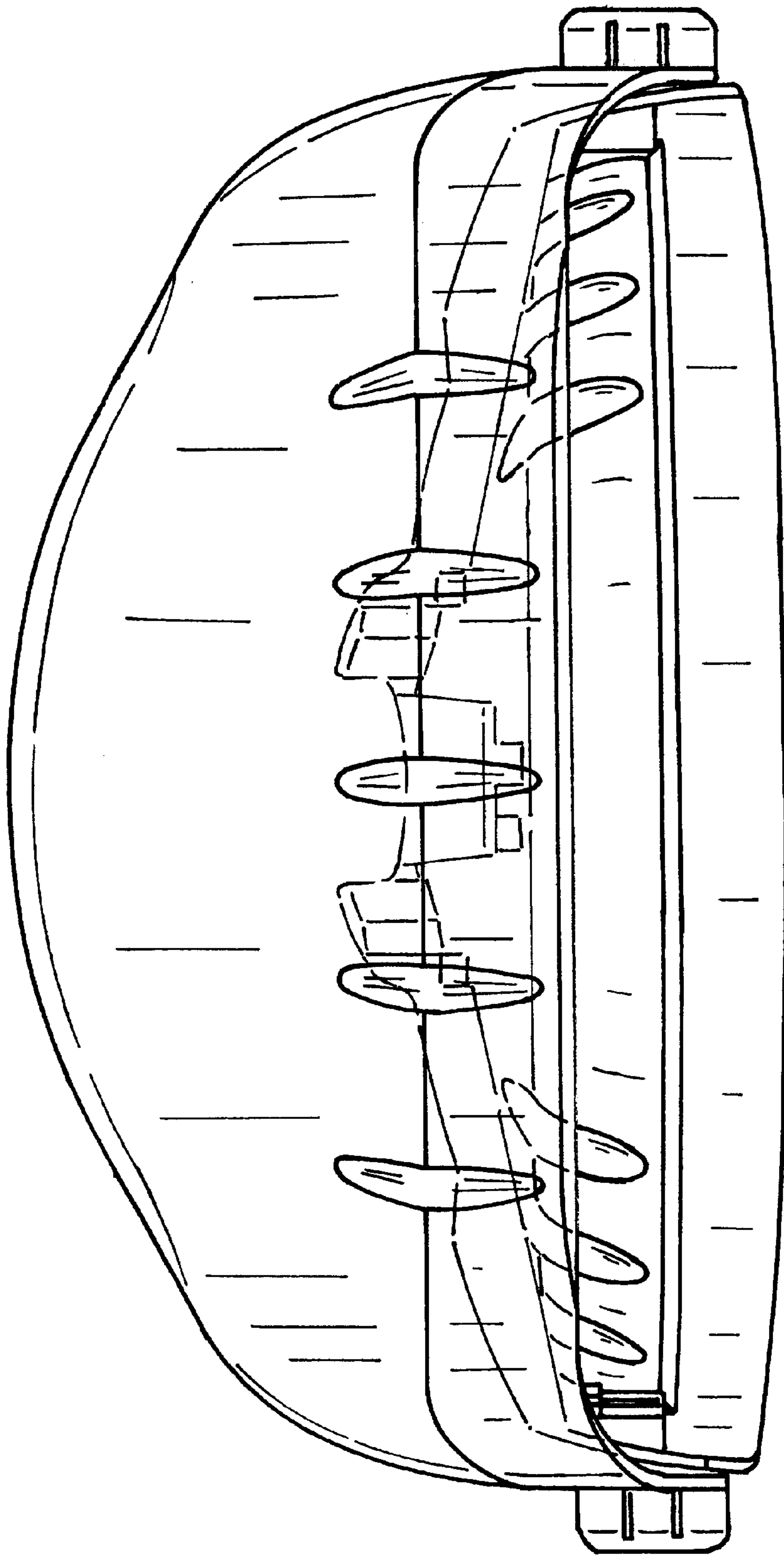


FIG. 6

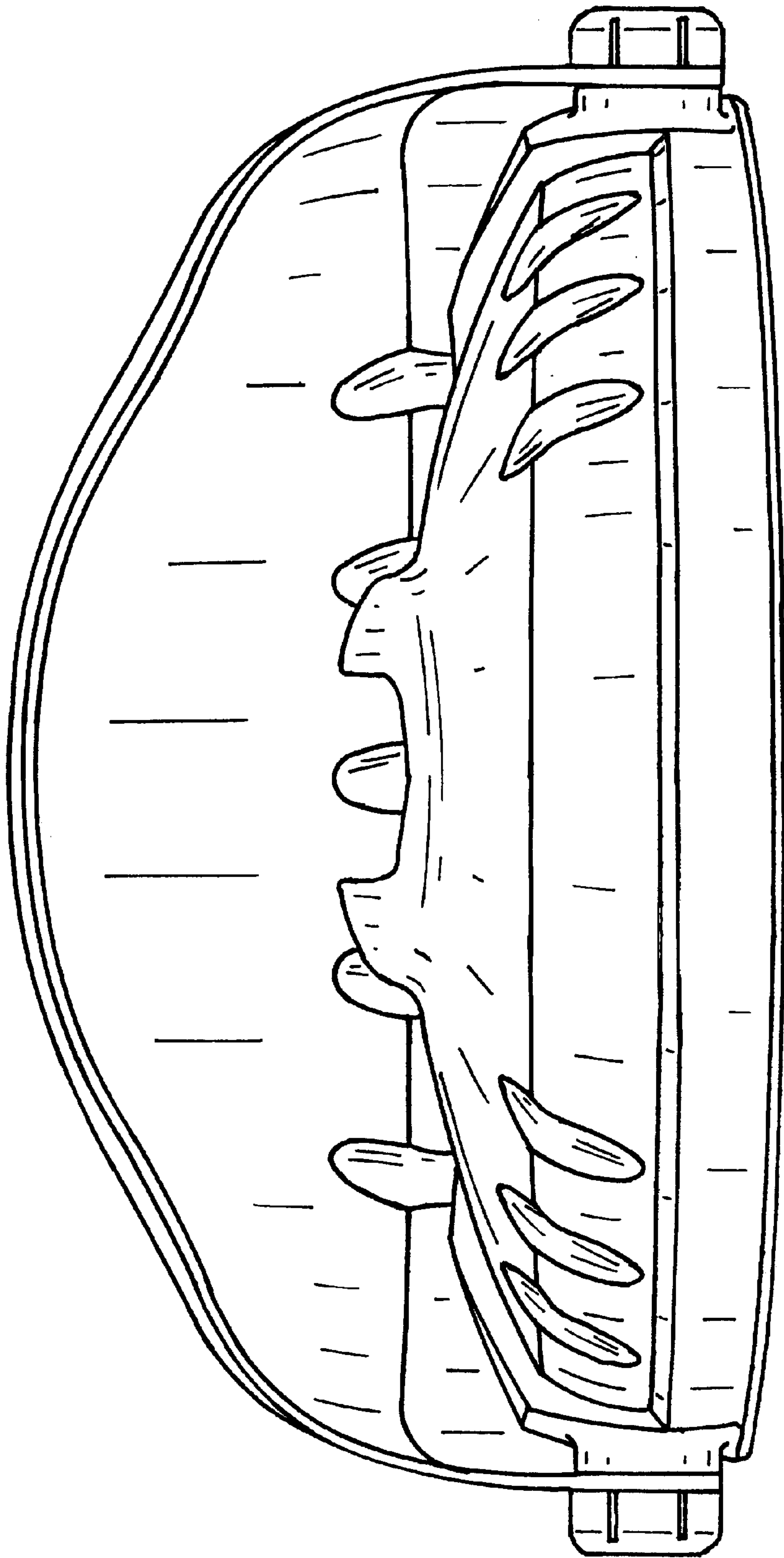
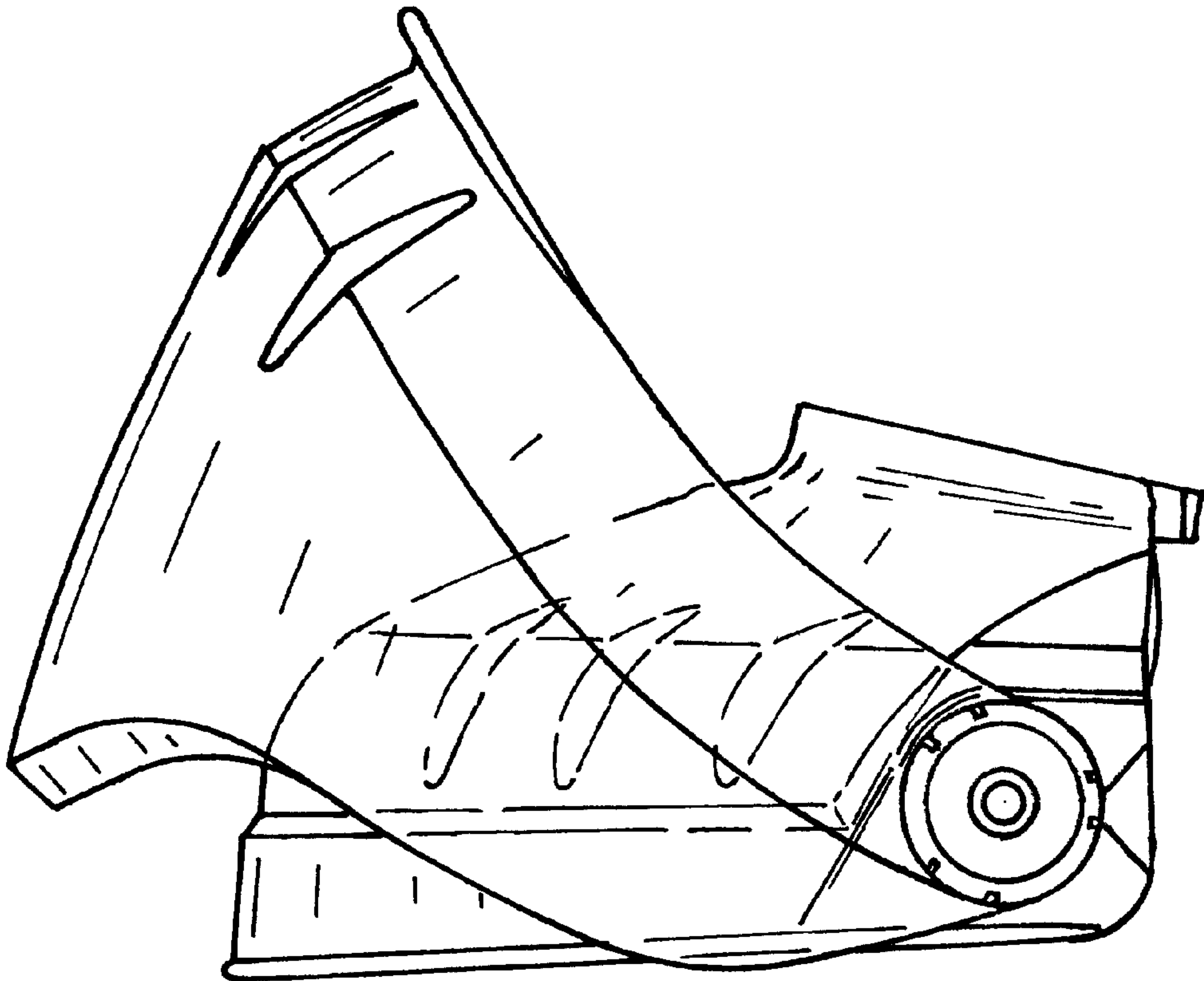


FIG. 7





**FIG. 8**

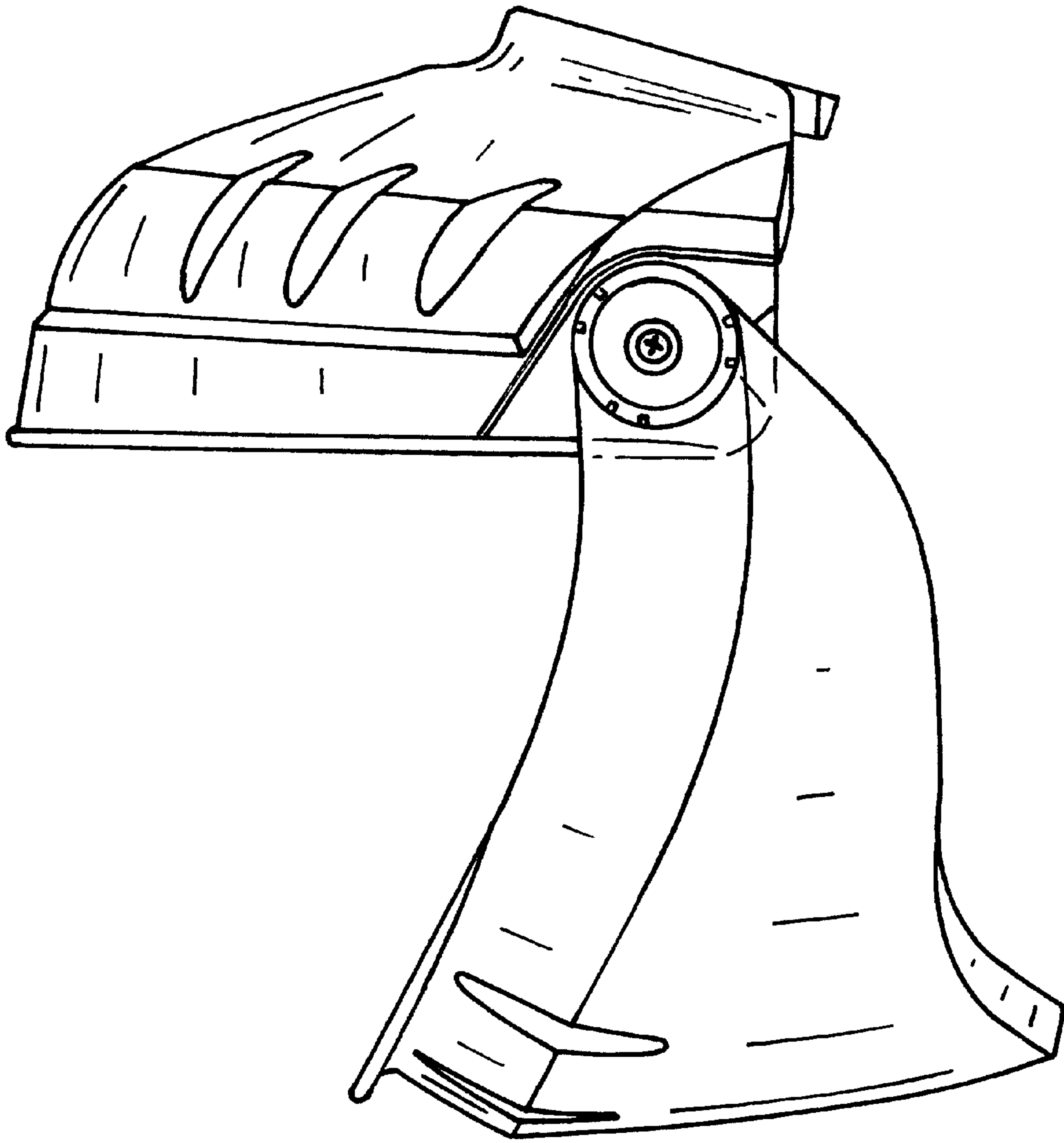


FIG. 9