



US00D463229S

(12) **United States Design Patent**
Gabriel

(10) **Patent No.:** **US D463,229 S**

(45) **Date of Patent:** **** Sep. 24, 2002**

(54) **HEDGE TRIMMER**

(75) **Inventor:** **Concari E. Gabriel**, Eldersburg, MD
(US)

(73) **Assignee:** **Black & Decker Inc.**, Newark, DE
(US)

(**) **Term:** **14 Years**

(21) **Appl. No.:** **29/140,613**

(22) **Filed:** **Apr. 20, 2001**

(51) **LOC (7) Cl.** **08-01**

(52) **U.S. Cl.** **D8/8**

(58) **Field of Search** D8/1, 8, 9; 30/228,
30/276, 382-3, 216

(56) **References Cited**

U.S. PATENT DOCUMENTS

D307,098 S	*	4/1990	Clivio	D8/8
D320,145 S		9/1991	Clivio		
D325,856 S		5/1992	Gierke		
D349,436 S		8/1994	Griffin et al.		
D351,096 S		10/1994	Gierke		
D354,891 S	*	1/1995	McJunkin et al.	D8/8
D364,541 S	*	11/1995	McJunkin et al.	D8/8
D365,256 S		12/1995	Griffin et al.		
5,531,027 A		7/1996	Martinez et al.		
D372,407 S		8/1996	Haneda et al.		
D374,381 S		10/1996	Meisner et al.		
D376,740 S	*	12/1996	Gildersleeve	D8/8

D382,451 S	*	8/1997	Kikuchi	D8/8
D388,291 S		12/1997	Gildersleeve		
5,697,258 A		12/1997	Aiyama		
D397,590 S		9/1998	Meloni et al.		
5,806,191 A		9/1998	Yokoyama et al.		
5,926,960 A	*	7/1999	Heywood et al.	30/228
D420,267 S		2/2000	Robson		
D434,620 S		12/2000	Martin		

OTHER PUBLICATIONS

Black & Decker Outdoor Products Catalog (pp. 10-13).

* cited by examiner

Primary Examiner—Robin V. Taylor

(74) *Attorney, Agent, or Firm*—Ajay K. Gambhir

(57) **CLAIM**

The ornamental design for a hedge trimmer, as shown and described.

DESCRIPTION

FIG. 1 is a perspective view of the hedge trimmer taken from the front and one side;

FIG. 2 is a top view thereof;

FIG. 3 is a bottom view thereof;

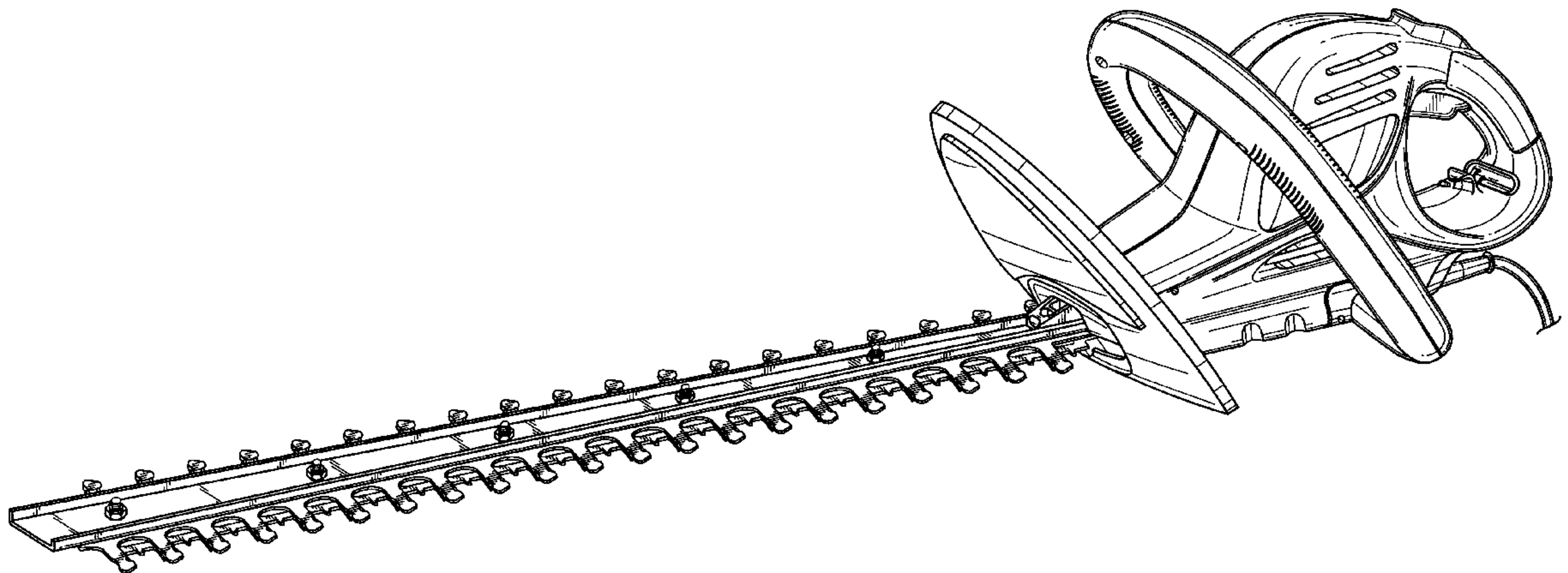
FIG. 4 is a right side view thereof;

FIG. 5 is a left side view thereof;

FIG. 6 is a front elevational view thereof; and,

FIG. 7 is a rear elevational view thereof.

1 Claim, 6 Drawing Sheets



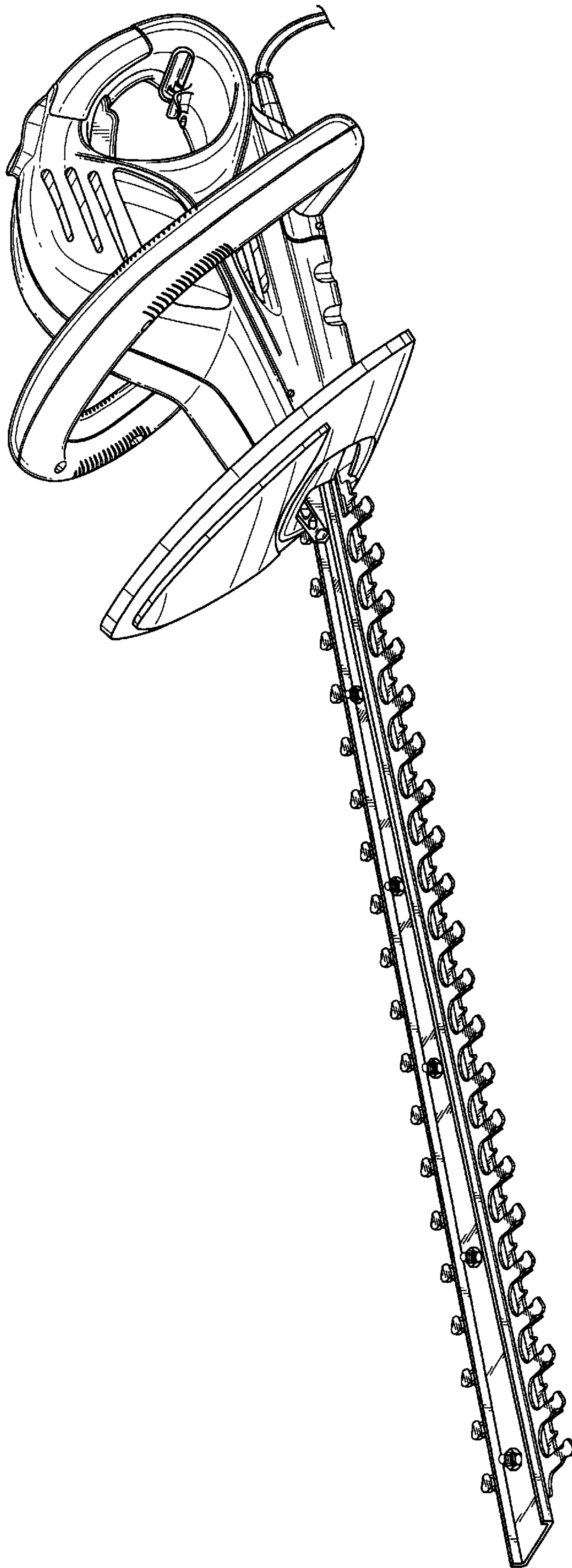


FIG. 1

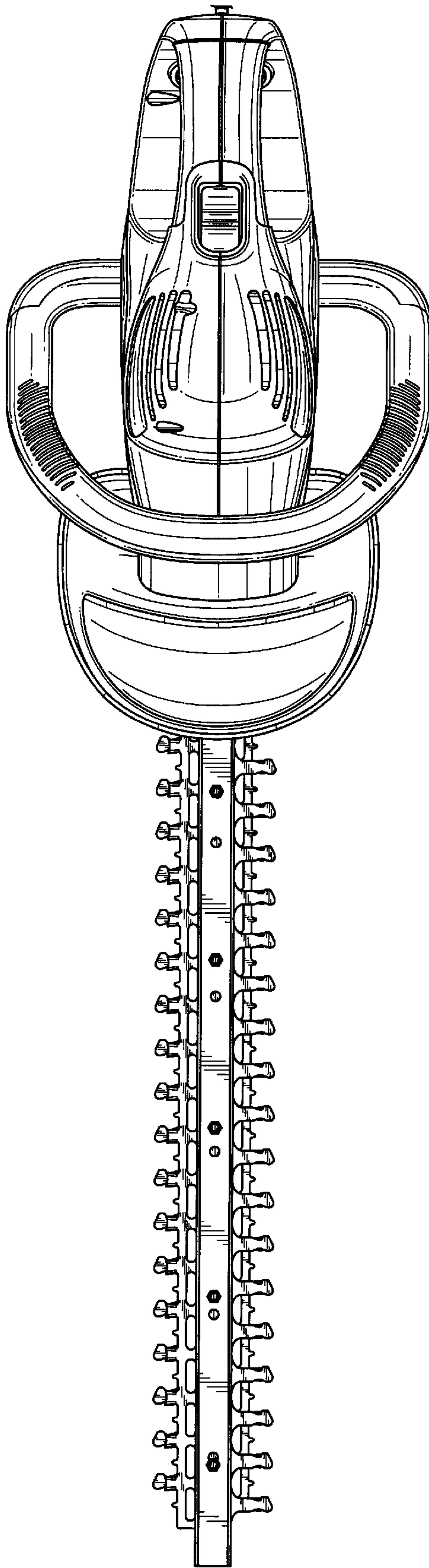


FIG. 2

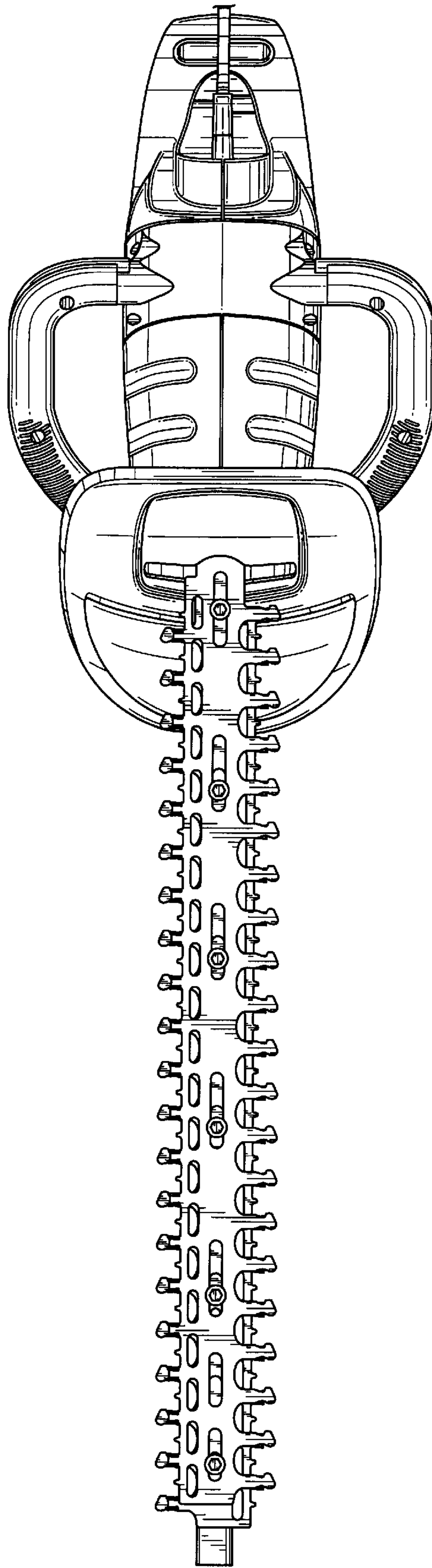


FIG. 3

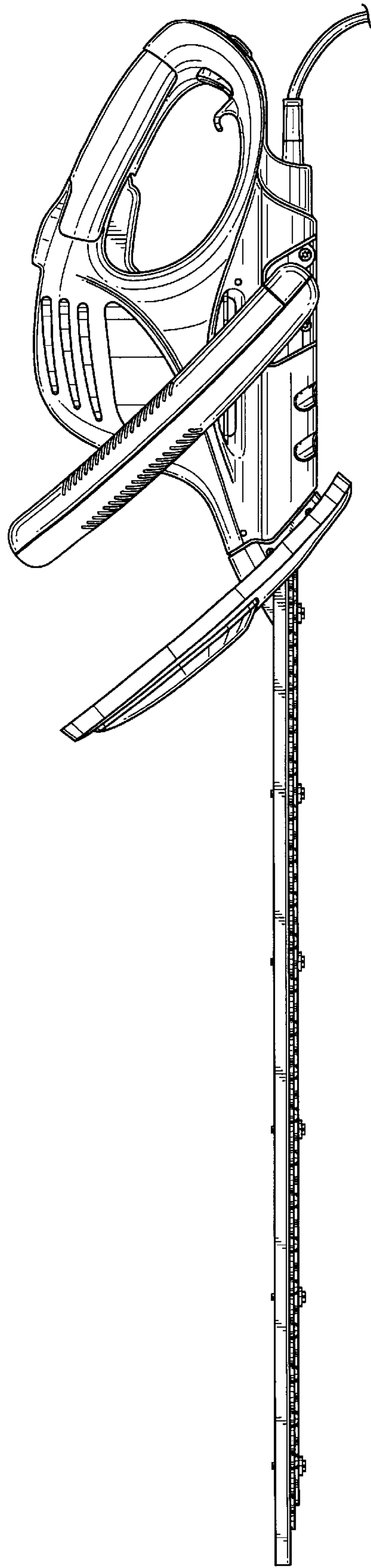


FIG. 4

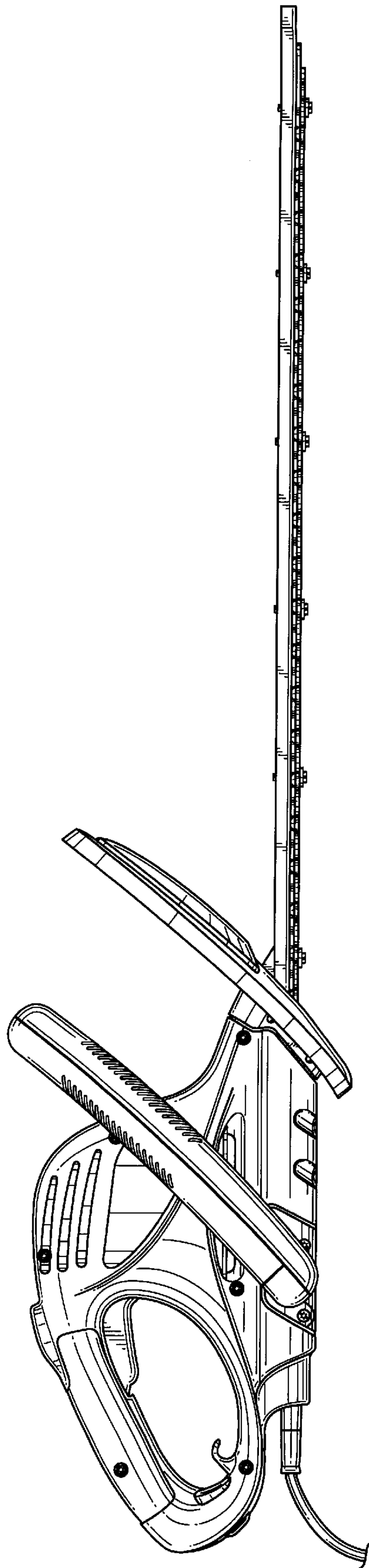


FIG. 5

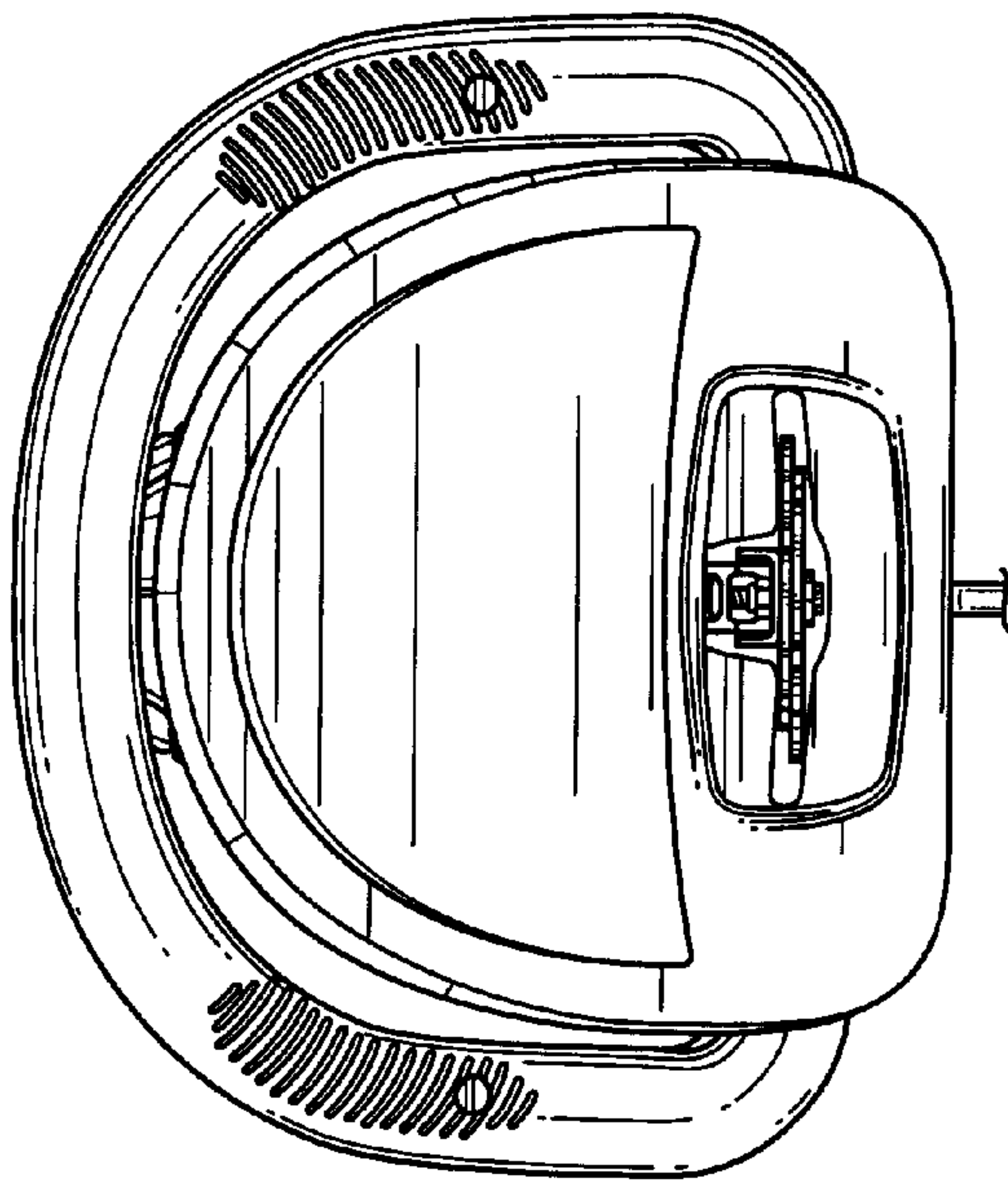


FIG. 6

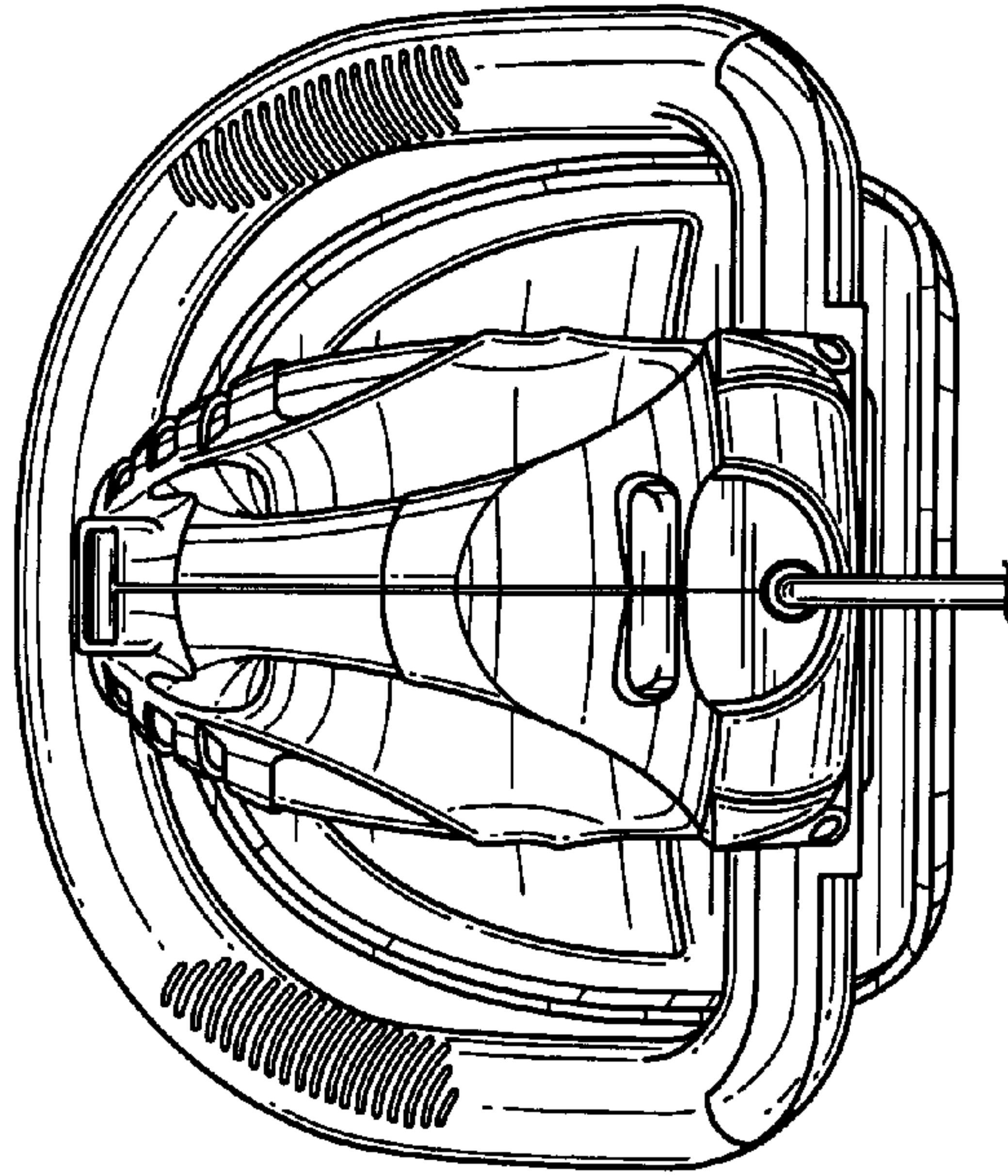


FIG. 7