



US00D463225S

(12) **United States Design Patent**
Winkler

(10) **Patent No.:** **US D463,225 S**

(45) **Date of Patent:** **** Sep. 24, 2002**

(54) **DIVOT MIX CONTAINER**

D327,823 S * 7/1992 Demerest D8/2
5,699,842 A * 12/1997 Wegman 141/369

(75) Inventor: **David R. Winkler**, Pacific, MO (US)

* cited by examiner

(73) Assignee: **Covered Solutions, Inc.**, Pacific, MO (US)

Primary Examiner—Robin V. Taylor

(74) *Attorney, Agent, or Firm*—Thompson Coburn LLP

(**) Term: **14 Years**

(57) **CLAIM**

(21) Appl. No.: **29/150,442**

The ornamental design for a divot mix container, as shown and described.

(22) Filed: **Nov. 14, 2001**

Related U.S. Application Data

DESCRIPTION

(63) Continuation of application No. 09/957,199, filed on Sep. 20, 2001, which is a continuation-in-part of application No. 09/827,327, filed on Apr. 5, 2001, which is a continuation-in-part of application No. 09/634,437, filed on Aug. 8, 2000, now Pat. No. 6,220,647.

FIG. 1 is a perspective view of a divot mix container showing my new design;

FIG. 2 is a left side elevational view of the divot mix container of FIG. 1;

FIG. 3 is a rear elevational view of the divot mix container of FIG. 1;

(51) **LOC (7) Cl.** **08-01**

(52) **U.S. Cl.** **D8/2**

(58) **Field of Search** D8/1, 2; 222/180, 222/324, 181.3, 196.1; 141/365-6

FIG. 4 is a top view of the divot mix container of FIG. 1;

FIG. 5 is a bottom view of the divot mix container of FIG. 1;

FIG. 6 is a front elevational view of the divot mix container of FIG. 1; and,

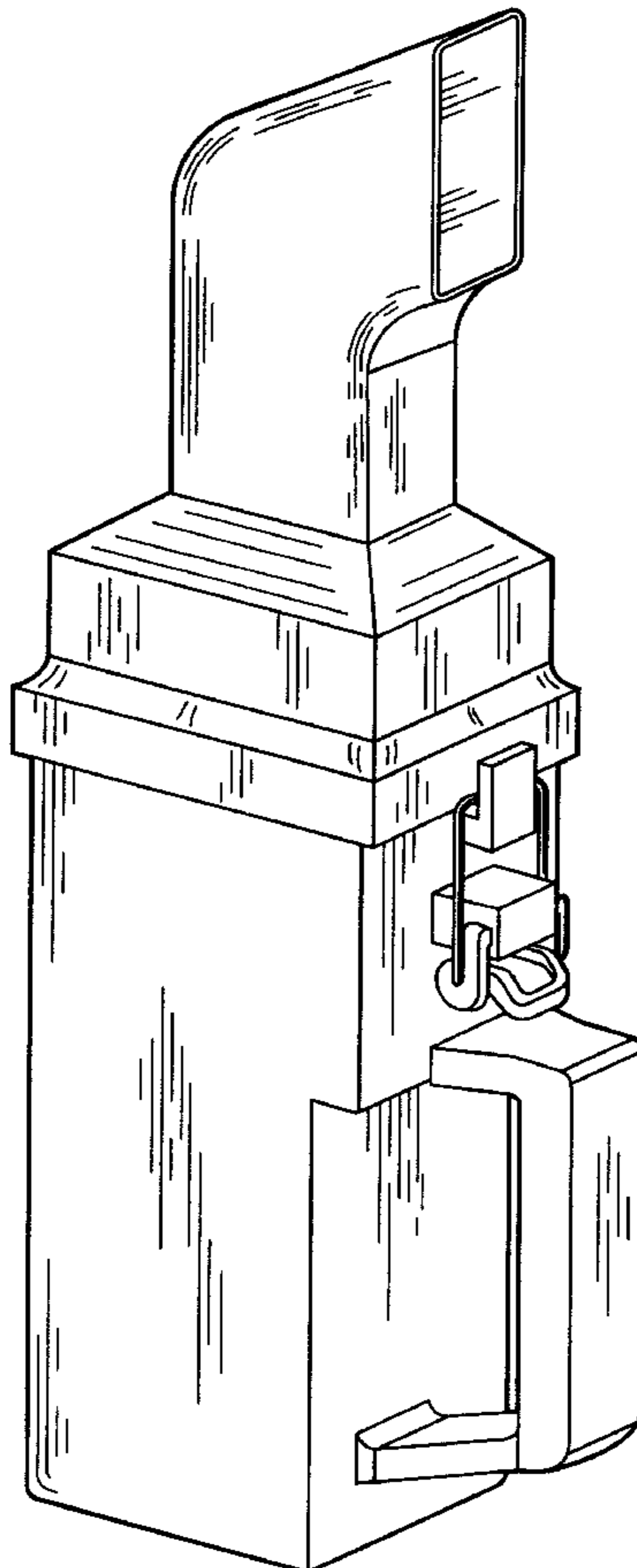
FIG. 7 is a right side elevational view of the divot mix container of FIG. 1.

(56) **References Cited**

U.S. PATENT DOCUMENTS

D192,601 S * 4/1962 Love D8/2

1 Claim, 3 Drawing Sheets



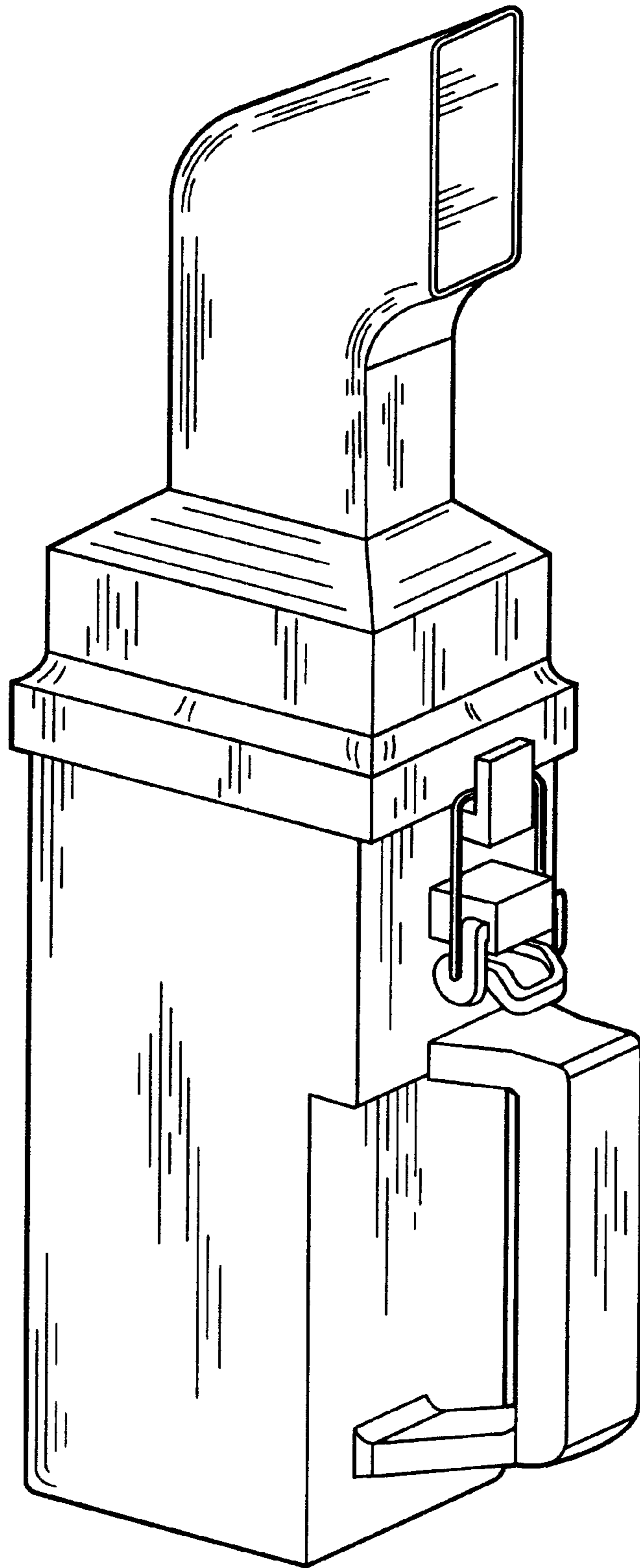


Fig. 1

Fig. 4

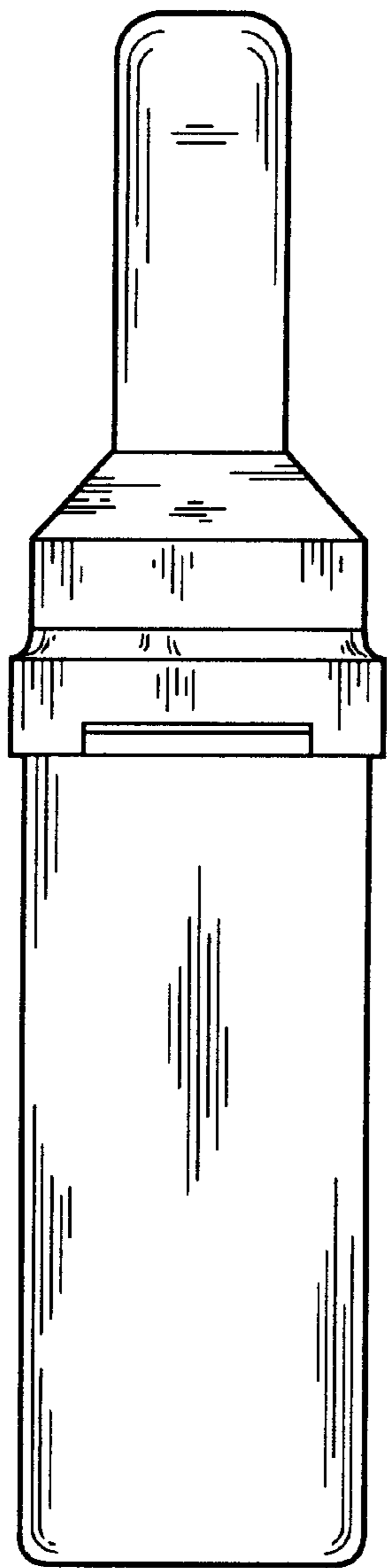
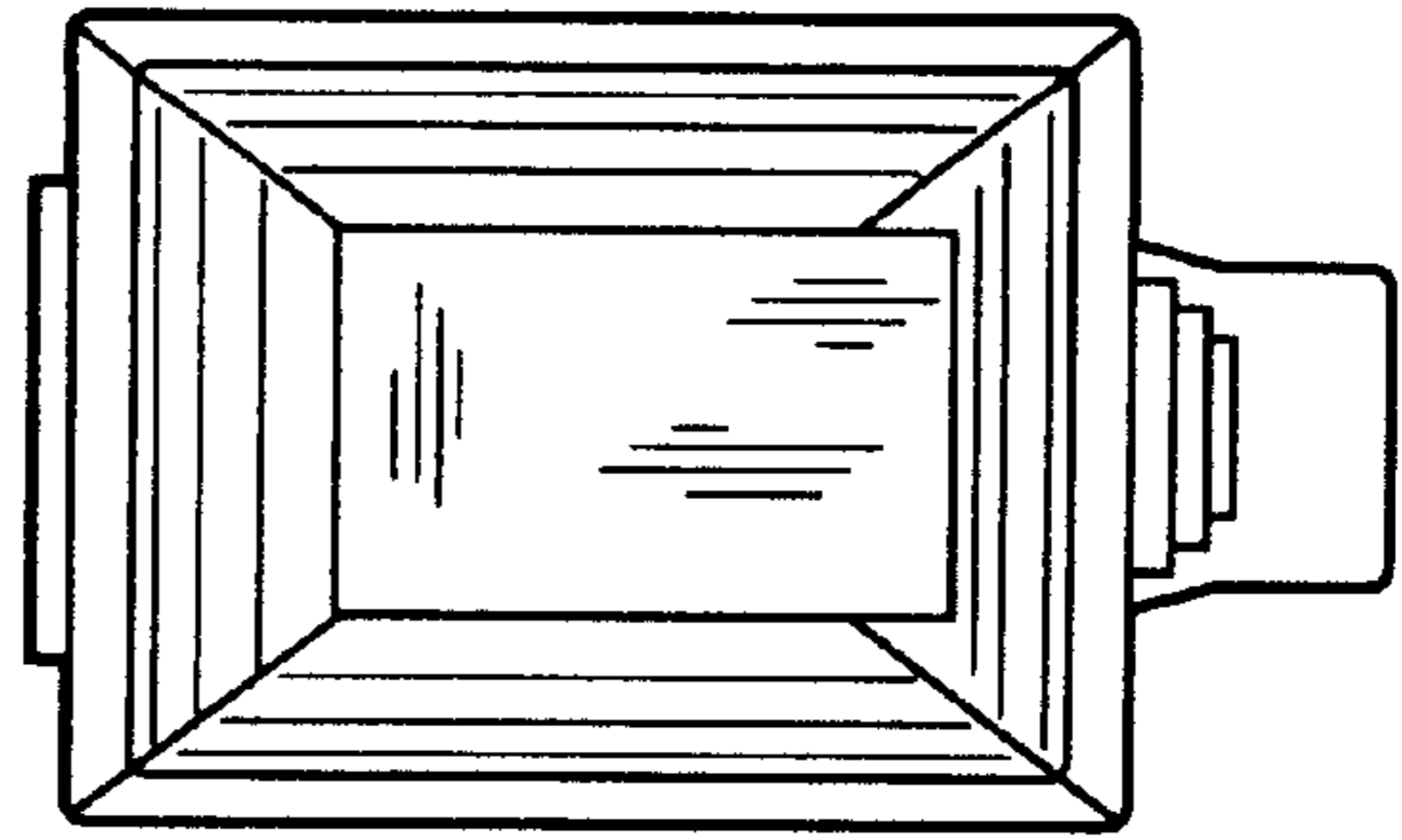


Fig. 3

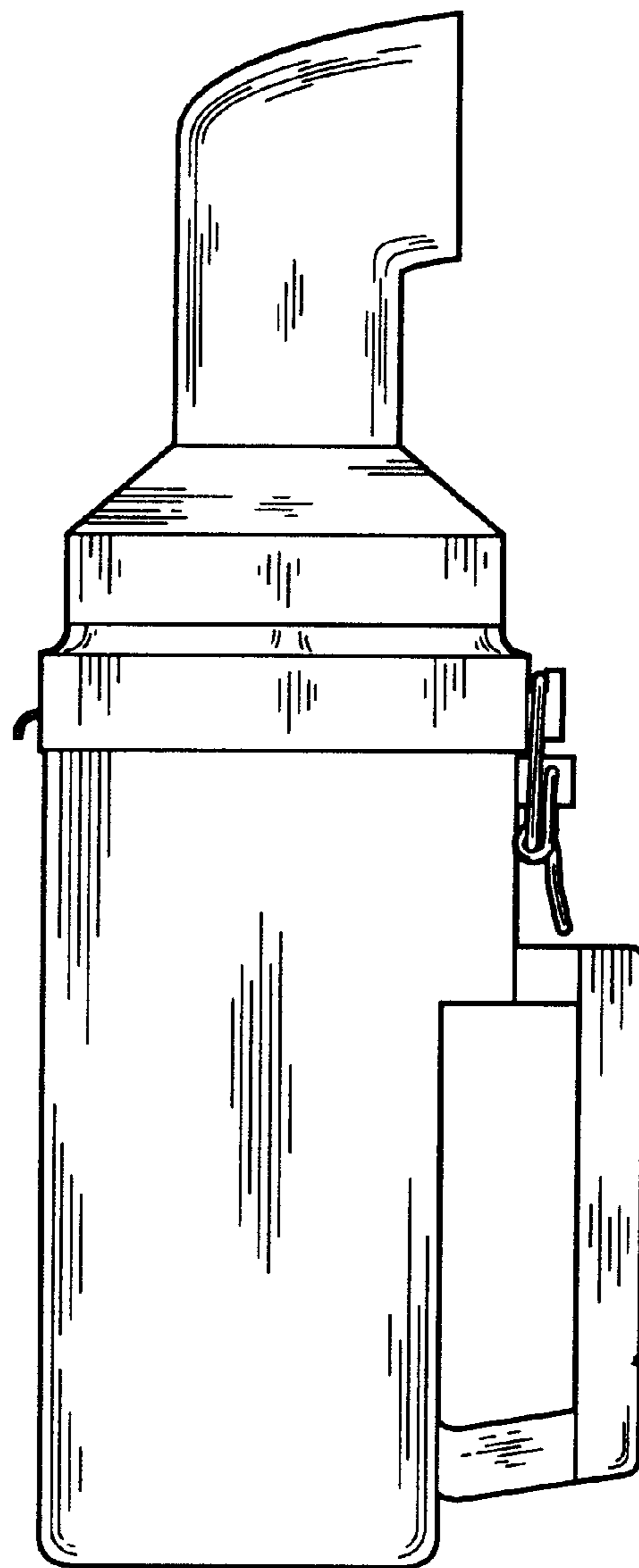


Fig. 2

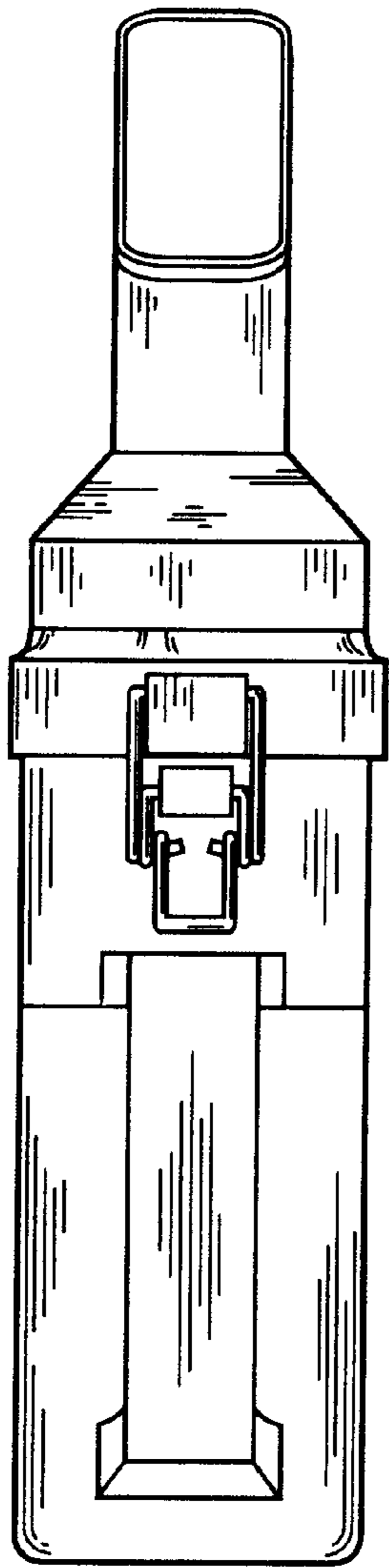


Fig. 6

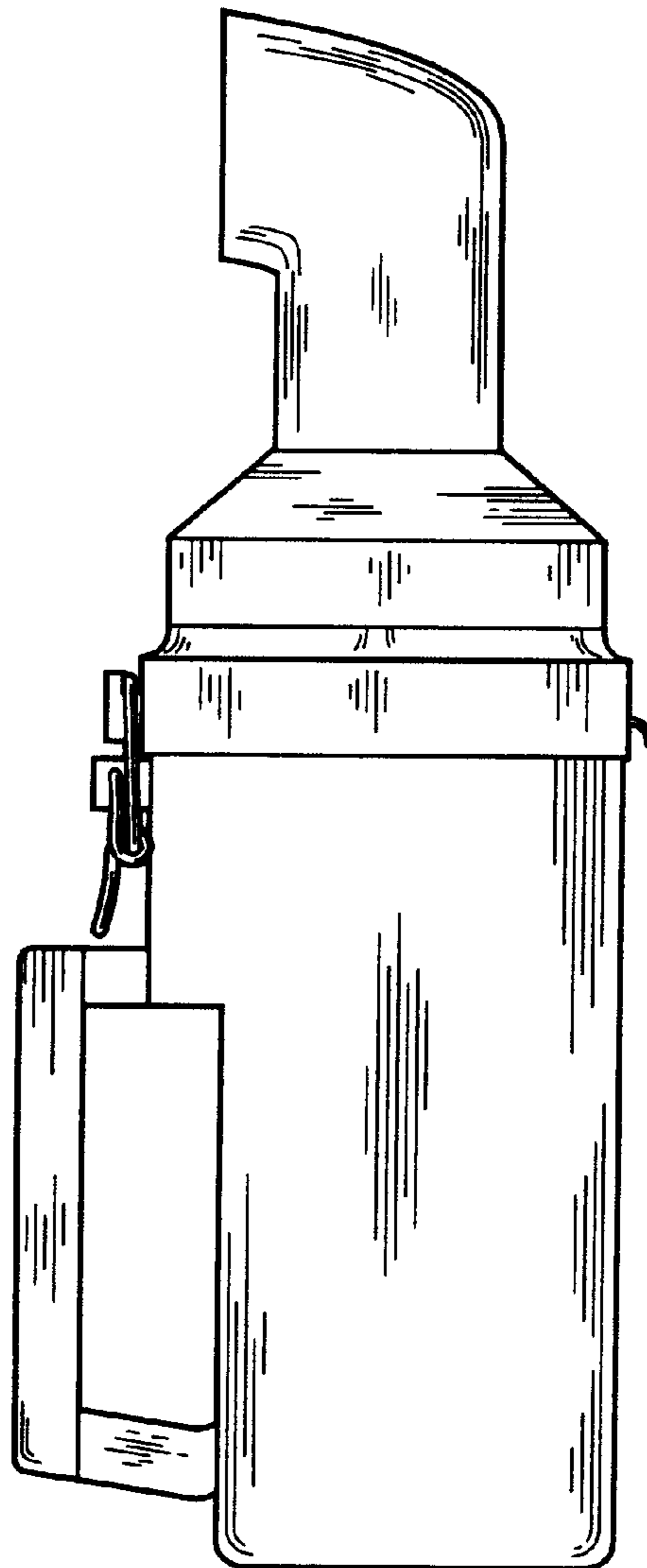


Fig. 7

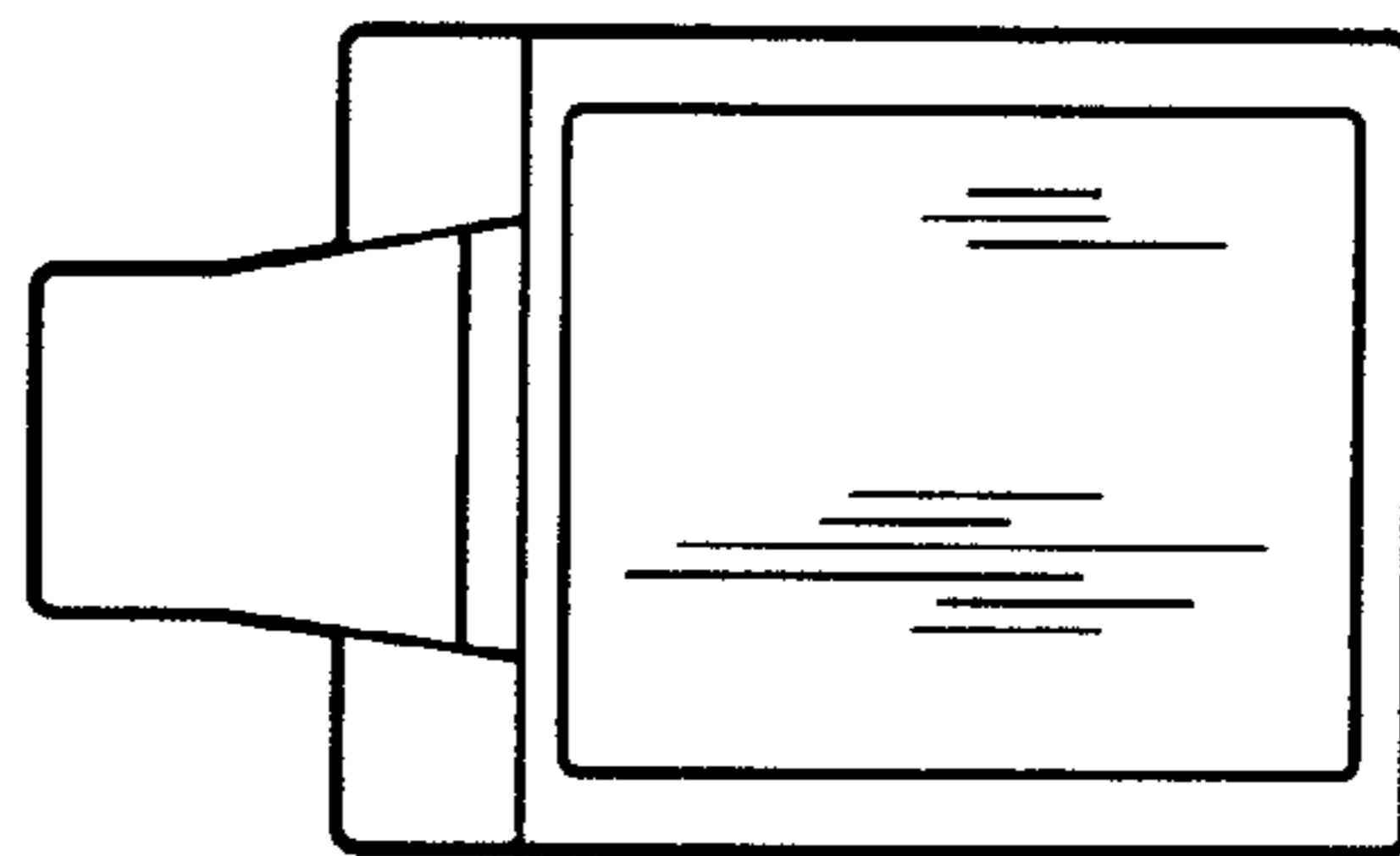


Fig. 5