



US00D463224S

(12) **United States Design Patent**
Cautereels et al.

(10) **Patent No.:** **US D463,224 S**

(45) **Date of Patent:** **** Sep. 24, 2002**

(54) **DUAL-SURFACE CUTTING BOARD**

(75) Inventors: **Victor J. J. Cautereels**, Ranst (BE);
Nele Wallays, Antwerp (BE)

(73) Assignee: **Dart Industries Inc.**, Orlando, FL (US)

(**) Term: **14 Years**

(21) Appl. No.: **29/141,041**

(22) Filed: **Apr. 27, 2001**

(51) **LOC (7) Cl.** **07-04**

(52) **U.S. Cl.** **D7/698**

(58) **Field of Search** D7/698; 269/13-15,
269/289 R, 302.1, 305

(56) **References Cited**

U.S. PATENT DOCUMENTS

120,394 A	*	10/1871	Petterson	269/289 R
445,443 A	*	1/1891	Everhard	220/571
D33,418 S	*	10/1900	Thompson	D7/698
D34,669 S	*	6/1901	Beaumont	D7/698
768,341 A	*	8/1904	Patten	269/302.1
802,237 A	*	10/1905	Quirk, Jr.	269/10
895,433 A	*	8/1908	Conway	126/215
3,598,164 A		8/1971	August		

D259,166 S		5/1981	Krusche		
4,273,318 A		6/1981	Crowhurst	269/13
4,440,385 A		4/1984	Kingery	269/13
D337,186 S		7/1993	Drach	D7/698 X
D367,407 S	*	2/1996	Clark	D7/698
D390,072 S		2/1998	Miller	D7/698
6,371,470 B1	*	4/2002	Ward	269/289 R

* cited by examiner

Primary Examiner—Caron D. Veynar

(74) *Attorney, Agent, or Firm*—Taylor J. Ross

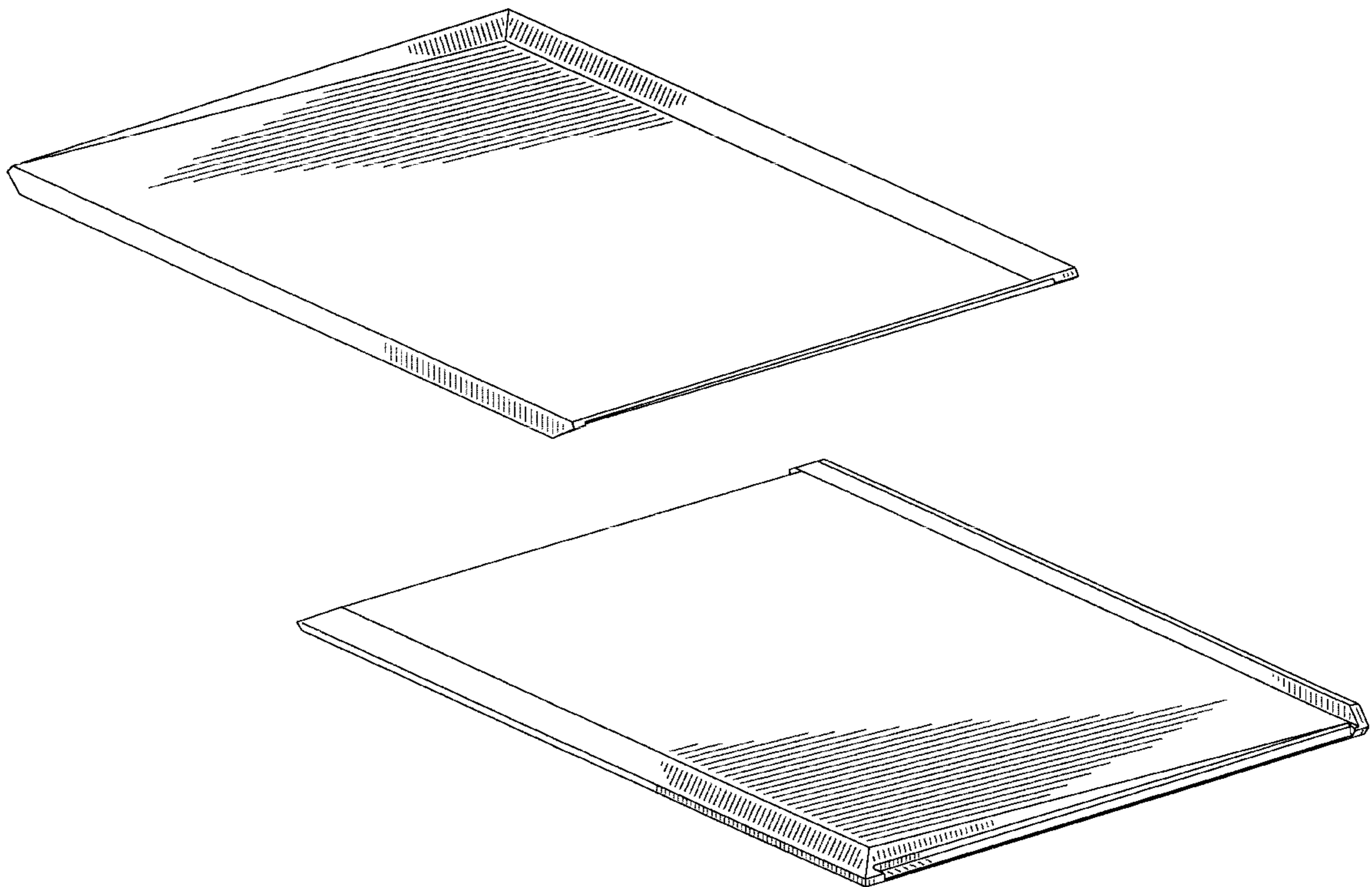
(57) **CLAIM**

The ornamental design for a dual-surface cutting board, as shown and described.

DESCRIPTION

FIG. 1 is a top, side and front perspective view of a dual-surface cutting board showing the new design; FIG. 2 is a bottom, side and rear perspective view thereof; FIG. 3 is a front elevation view thereof; FIG. 4 is a rear elevation view thereof; FIG. 5 is a right side elevation view thereof; FIG. 6 is a left side elevation view thereof; FIG. 7 is a top plan view thereof; and, FIG. 8 is a bottom plan view thereof.

1 Claim, 3 Drawing Sheets



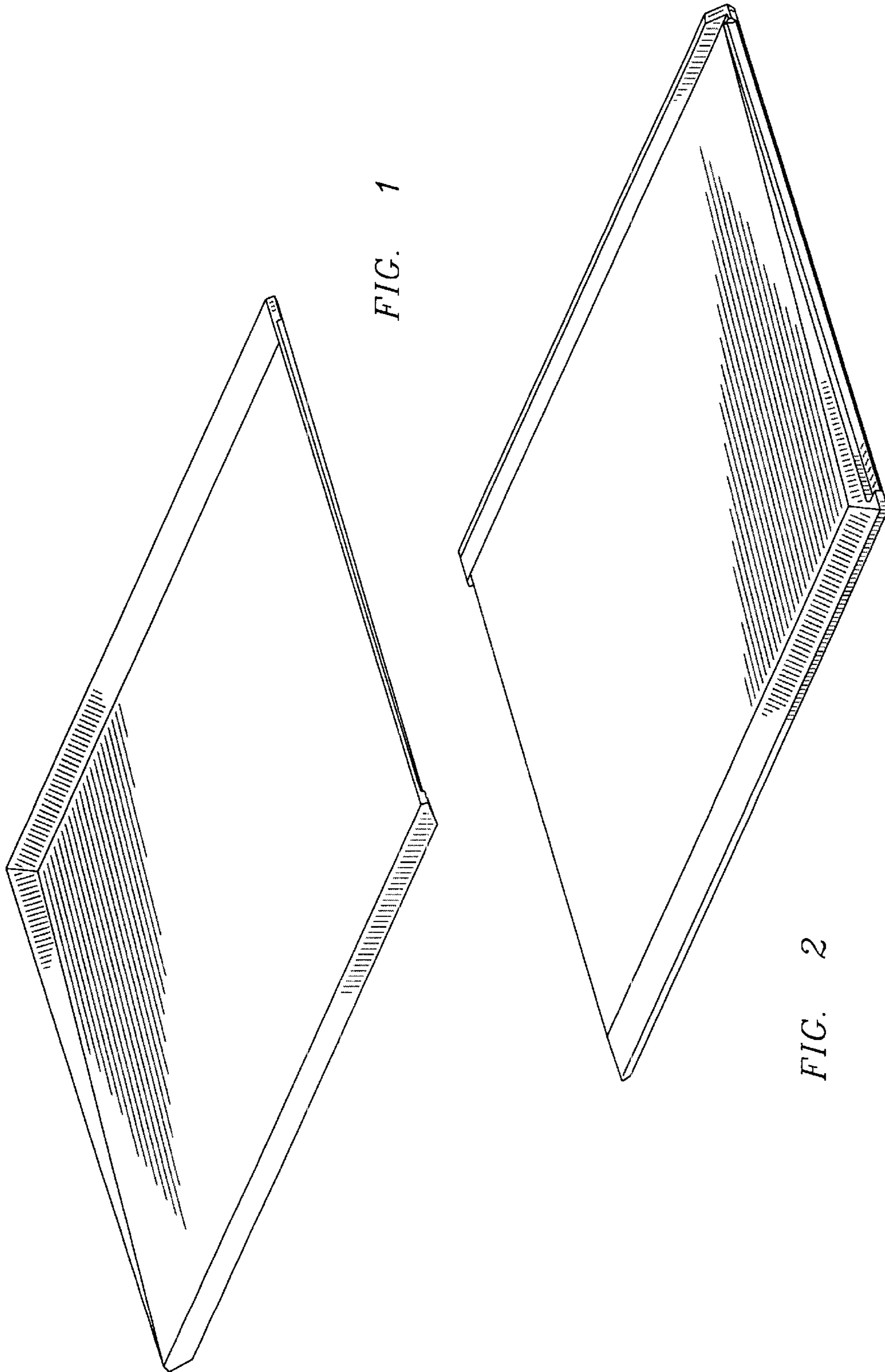


FIG. 1

FIG. 2

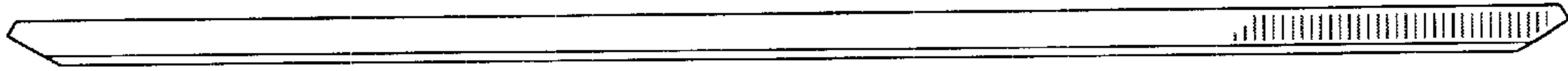


FIG. 3

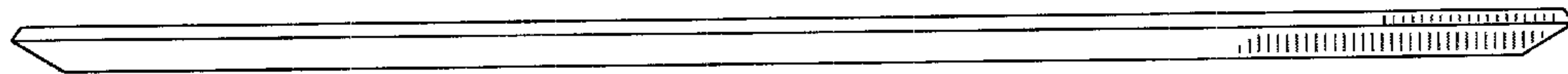


FIG. 4

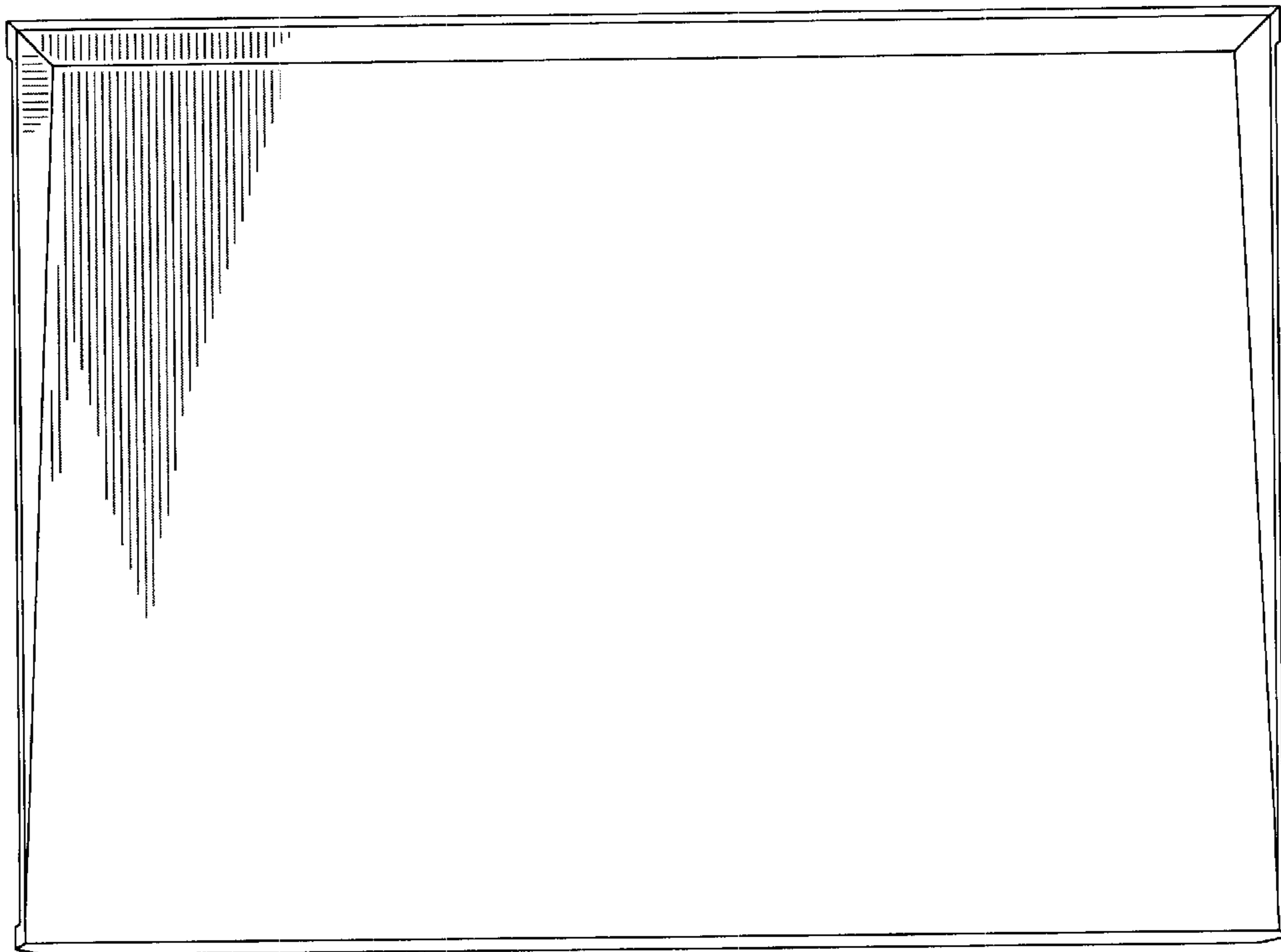


FIG. 7

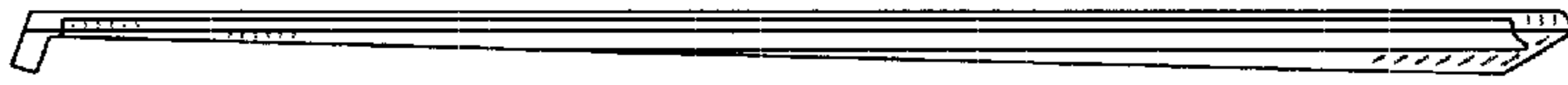


FIG. 5

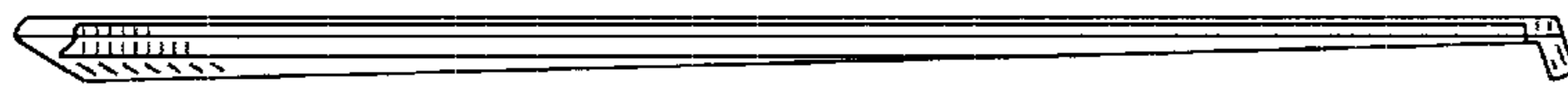


FIG. 6

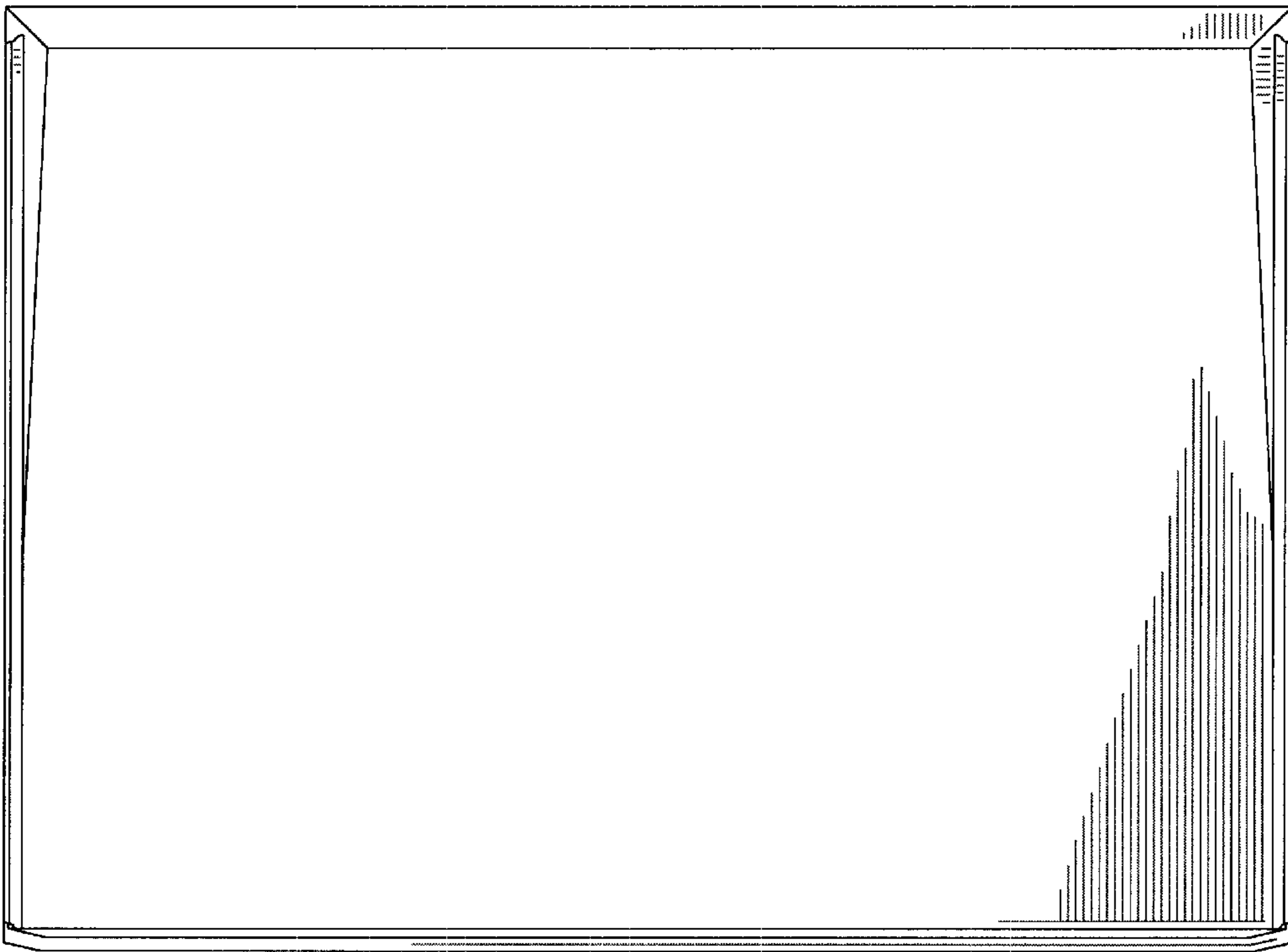


FIG. 8