

US00D463219S

(12) **United States Design Patent**
Tsai

(10) **Patent No.:** **US D463,219 S**

(45) **Date of Patent:** **** Sep. 24, 2002**

(54) **CUP HOLDER**

(76) **Inventor:** **Hsi-Lung Tsai**, No. 248, Sec. 1,
Chung-Shan Rd., Chiao-Tou Village,
Hua-Tan Hsiang, Changhua Hsien (TW)

(**) **Term:** **14 Years**

(21) **Appl. No.:** **29/148,696**

(22) **Filed:** **Sep. 24, 2001**

(51) **LOC (7) Cl.** **07-06**

(52) **U.S. Cl.** **D7/620**

(58) **Field of Search** D7/619-625; D11/117,
D11/125, 128; D12/420; 248/311.2, 309.1,
316.7; 211/74, 75

(56) **References Cited**

U.S. PATENT DOCUMENTS

D338,138 S * 8/1993 Miyajima D7/620

OTHER PUBLICATIONS

Oriental Trading Company Catalog, Sep. 1994, p. 1,
Skull-shaped Plastic Halloween Flashlight, middle of
page.*

* cited by examiner

Primary Examiner—Terry A. Wallace

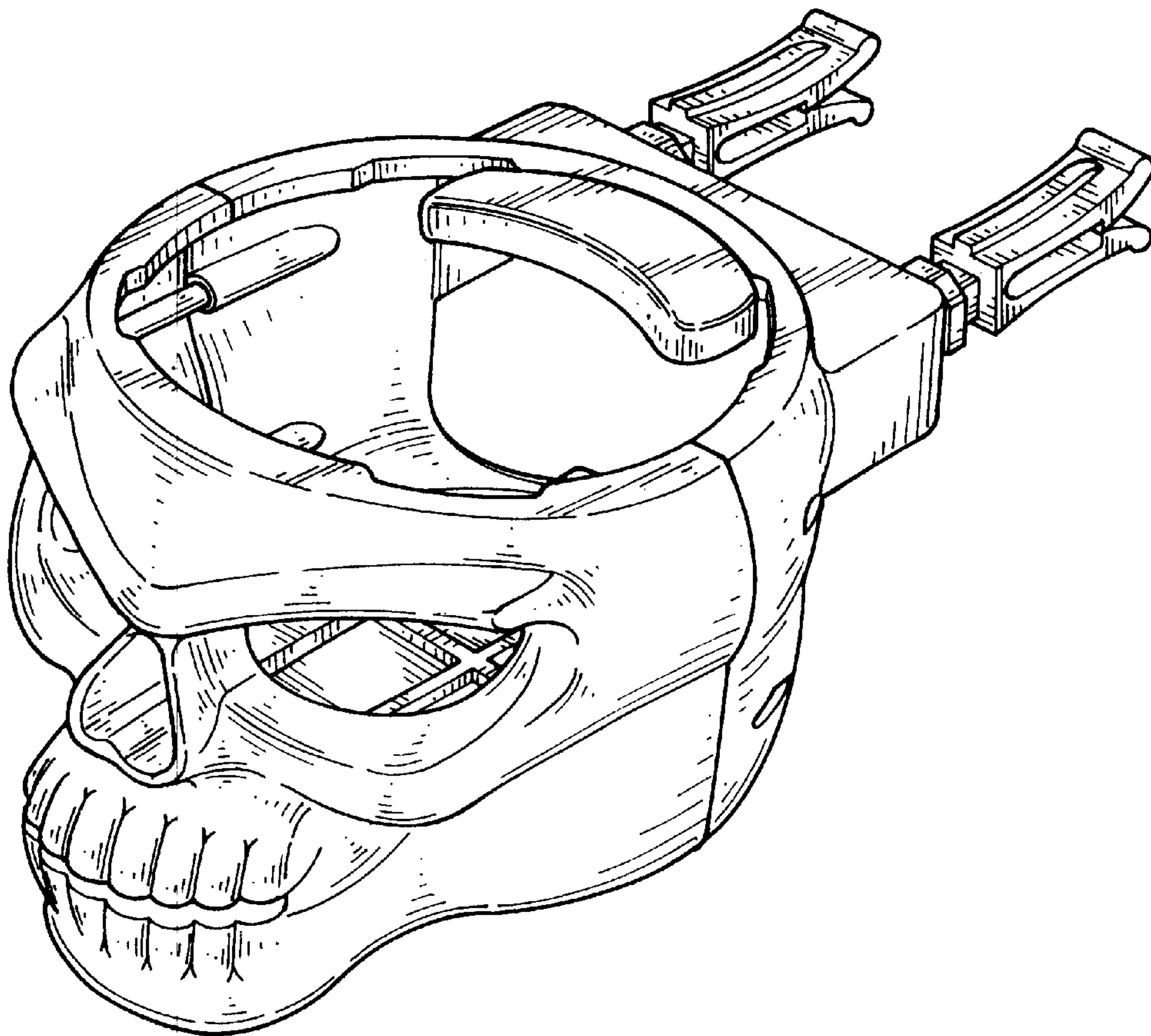
(57) **CLAIM**

The ornamental design for a cup holder, as shown and
described.

DESCRIPTION

FIG. 1 is a perspective view of a cup holder showing my new
design;
FIG. 2 is a front elevational view thereof;
FIG. 3 is a rear elevational view thereof;
FIG. 4 is a left side view thereof;
FIG. 5 is a right side view thereof;
FIG. 6 is a top plain view thereof;
FIG. 7 is a bottom plain view thereof; and,
FIG. 8 is a perspective view of an embodiment of the cup
holder being connected to a car ventilator grill.
The broken lines are for illustrative purposes only and form
no part of the claimed design.

1 Claim, 7 Drawing Sheets



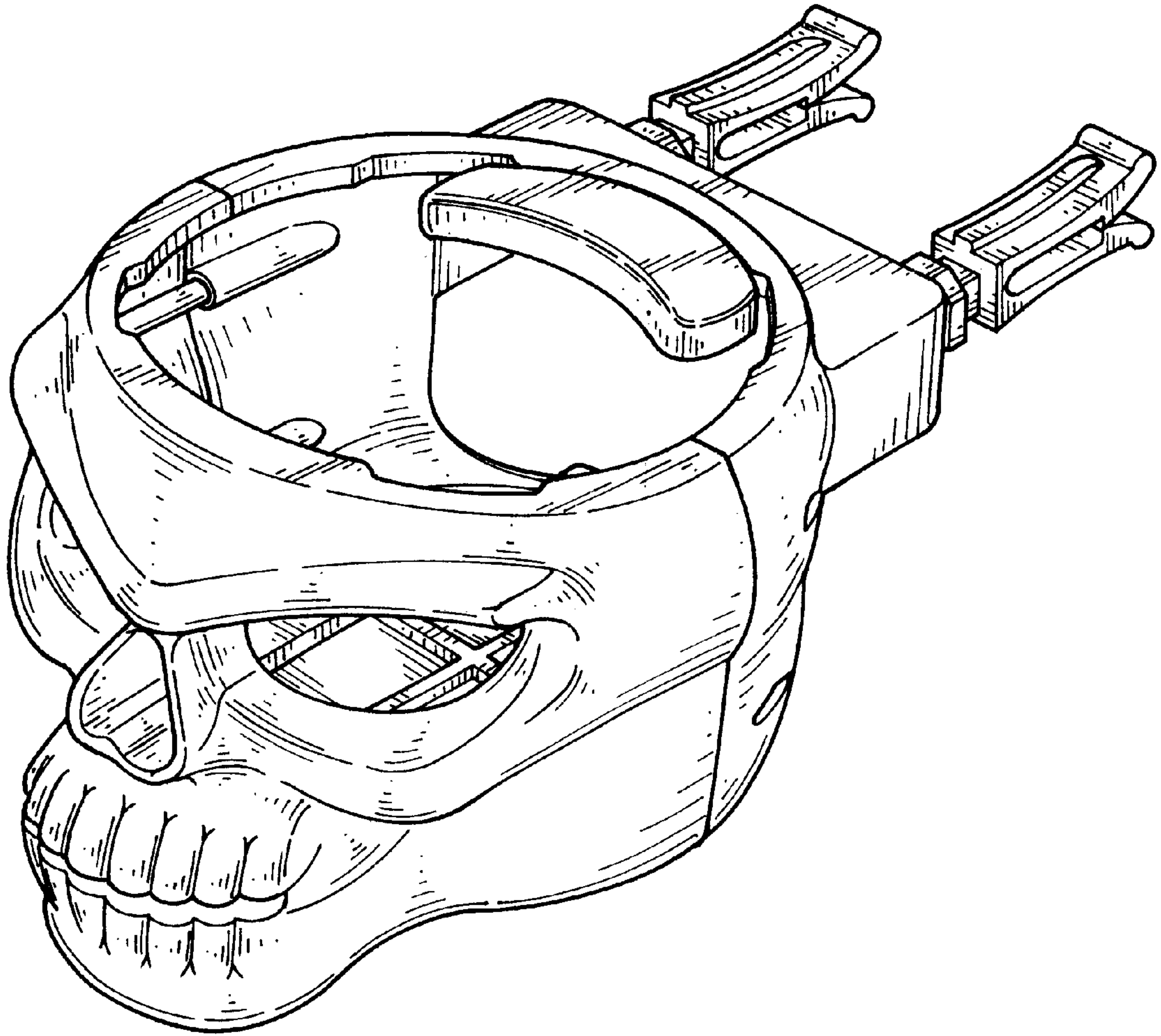


FIG . 1

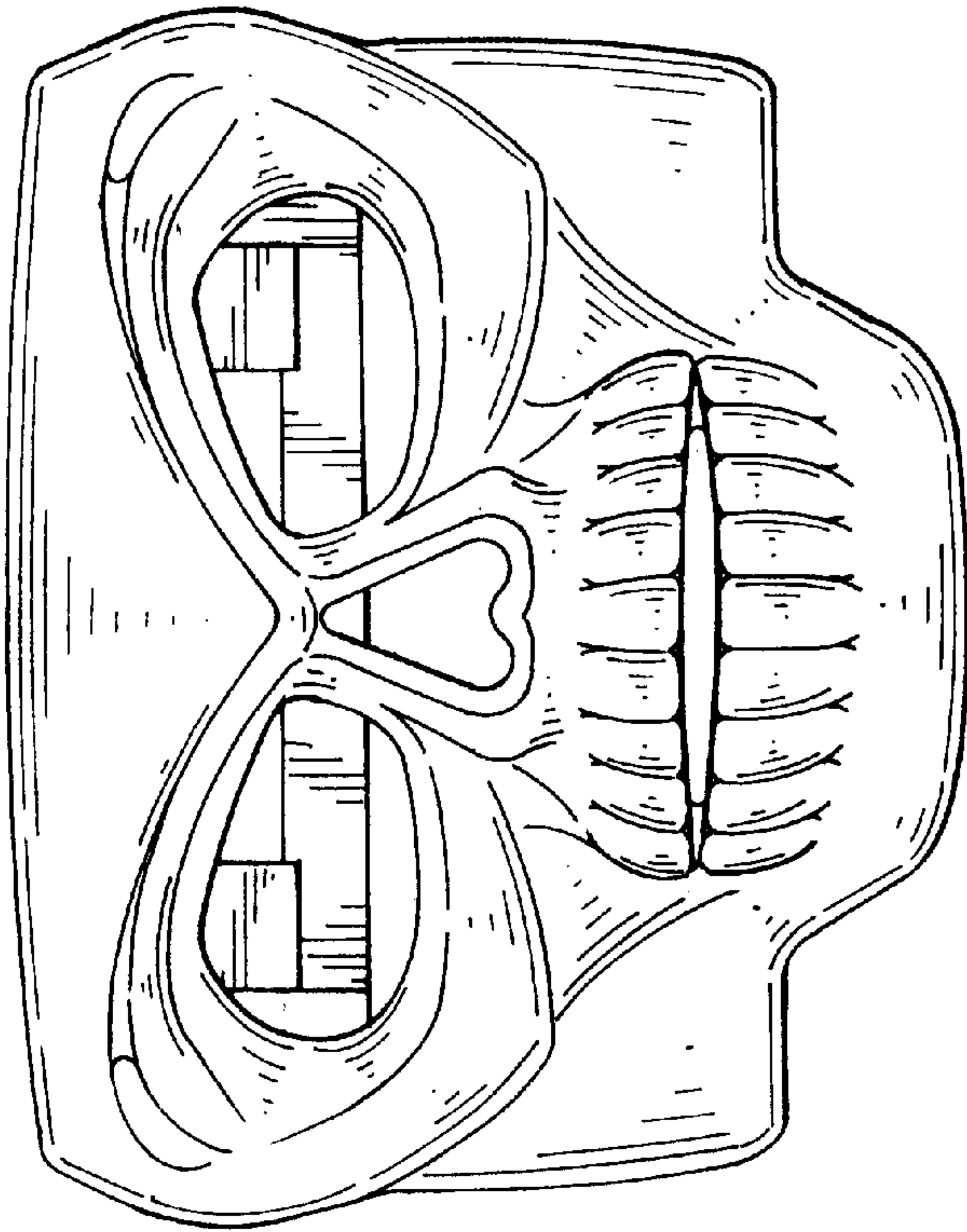


FIG. 2

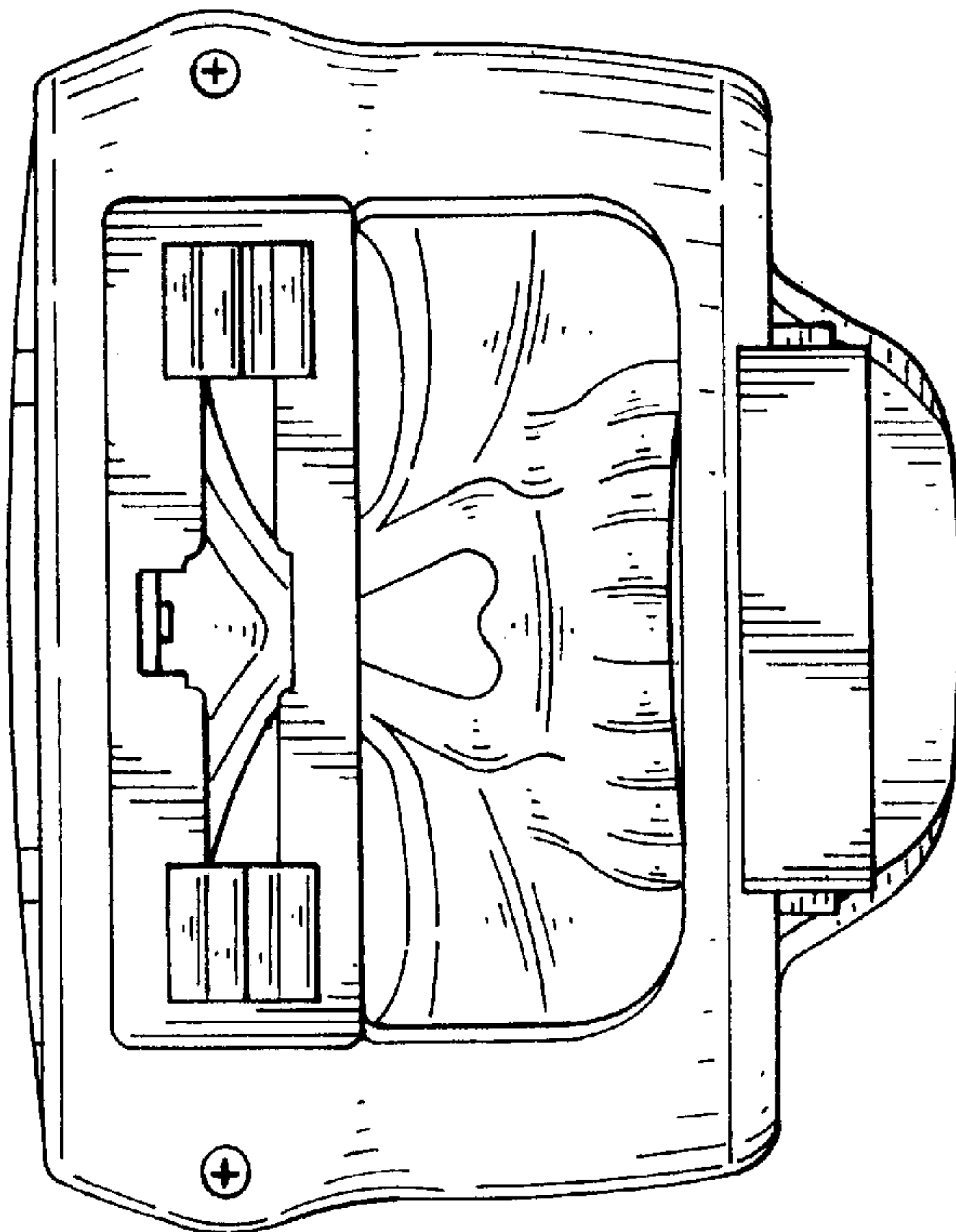


FIG. 3

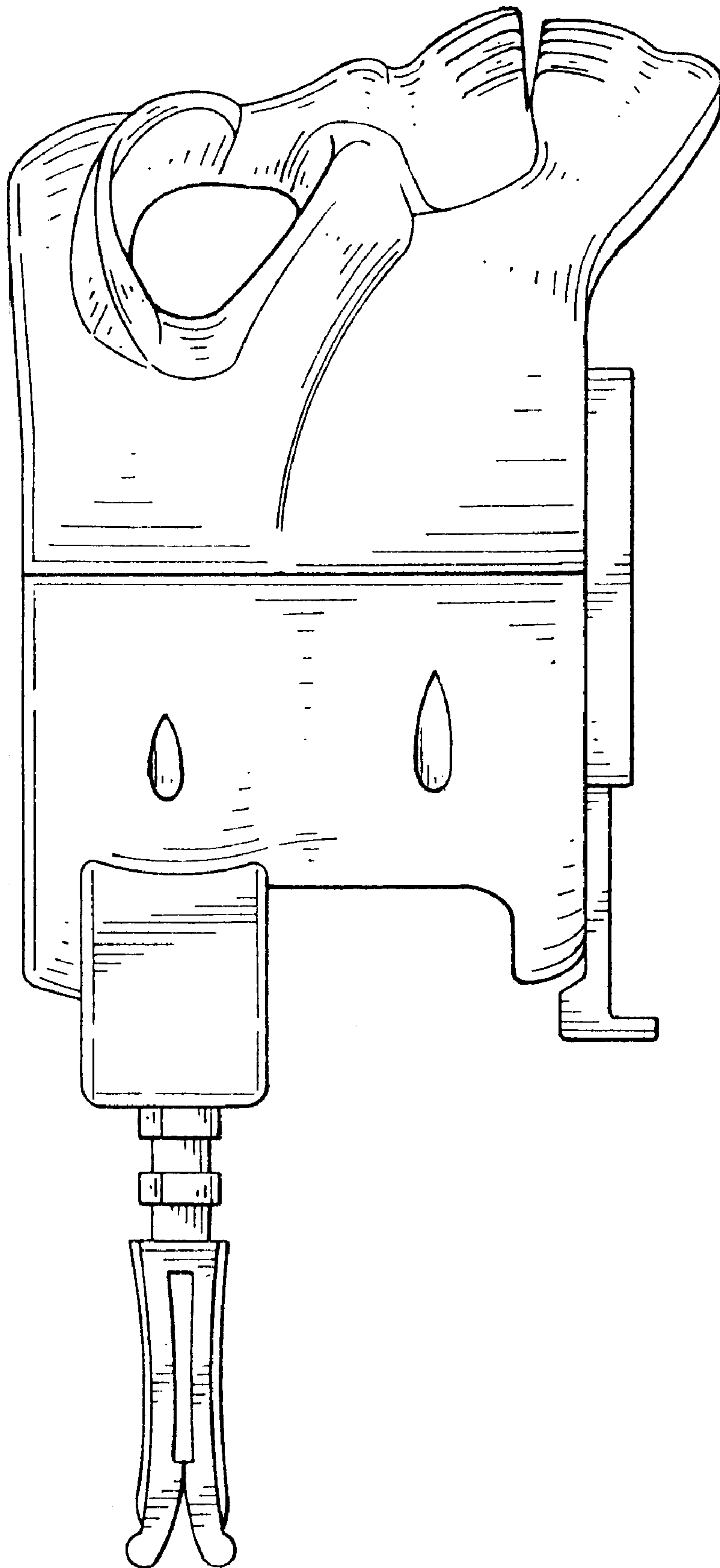


FIG. 4

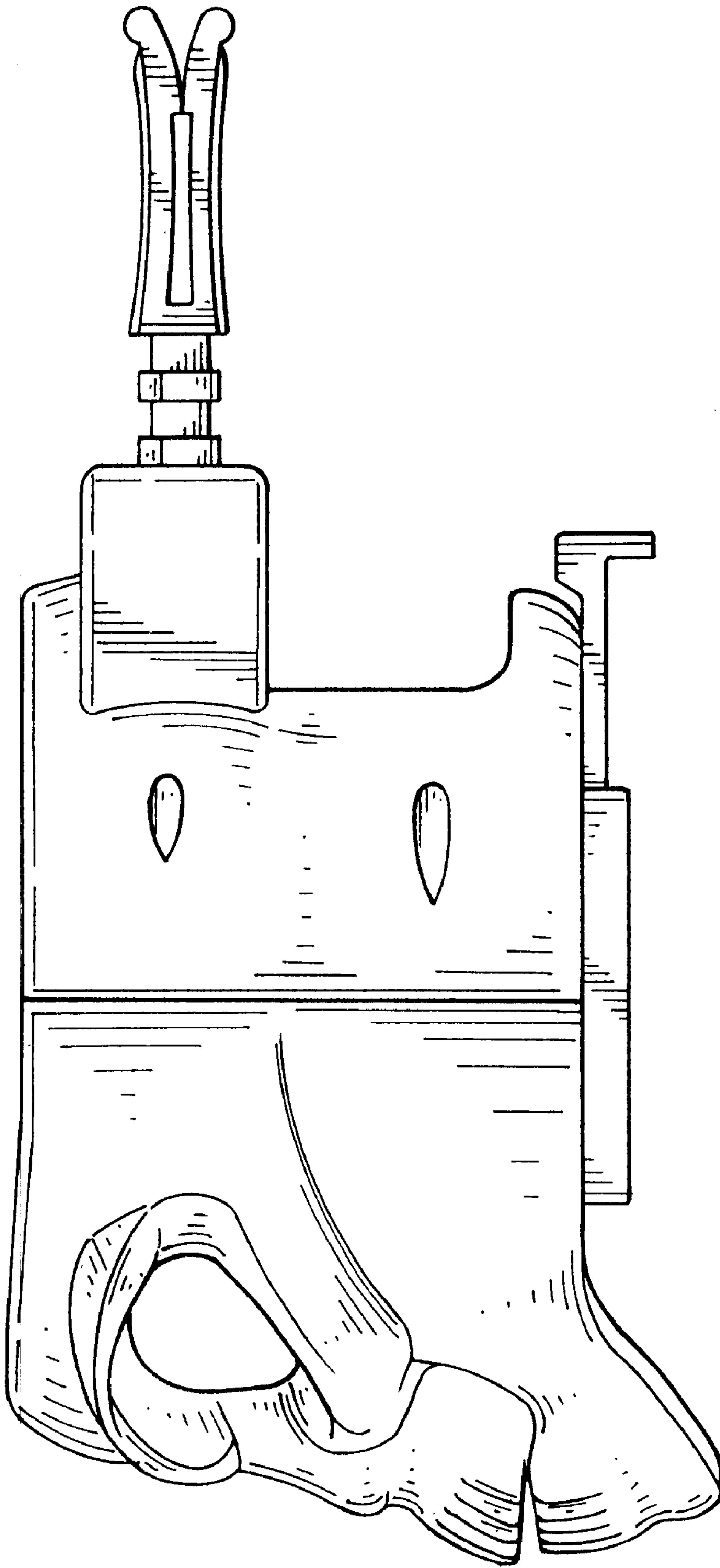


FIG. 5

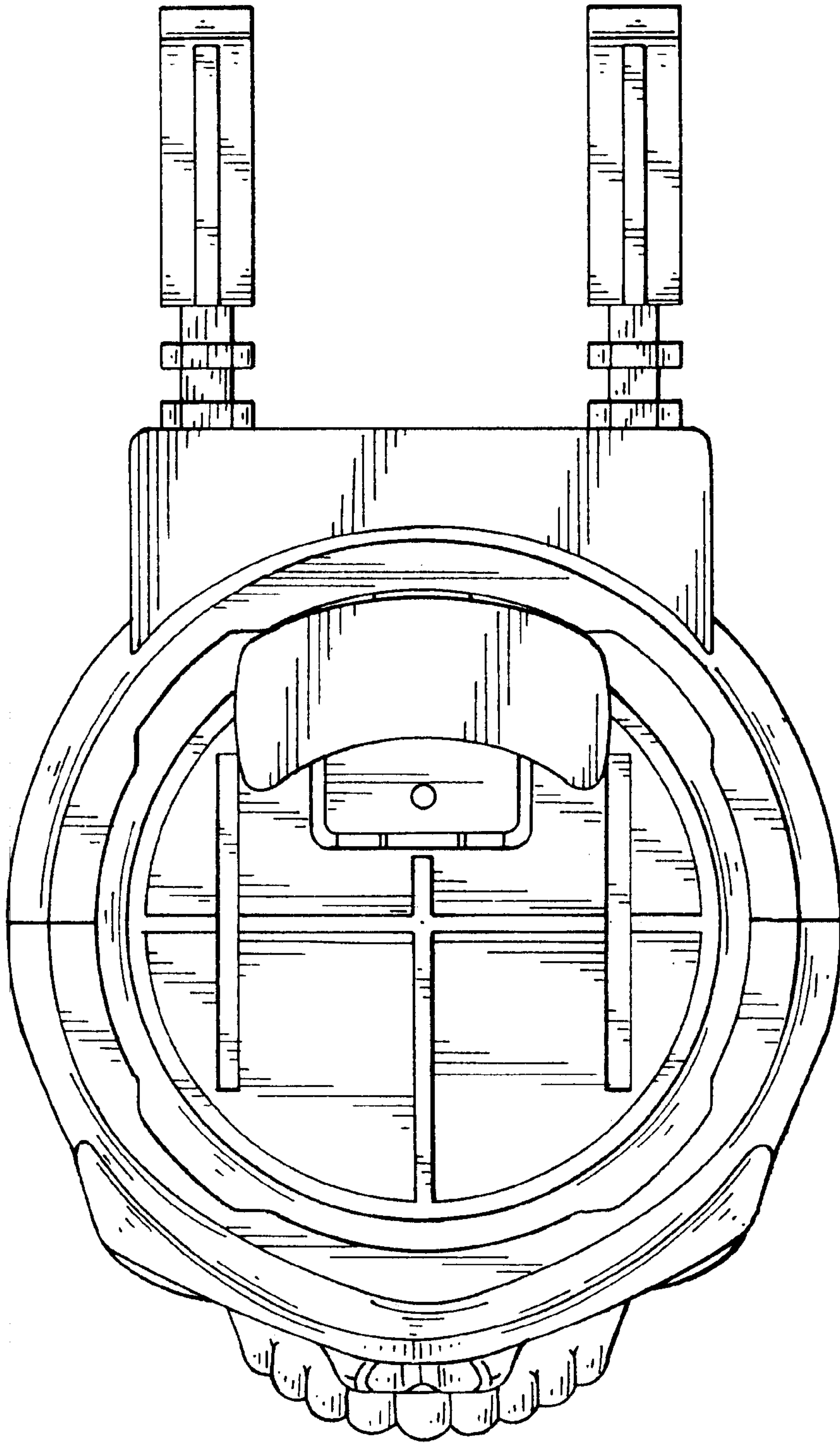


FIG. 6

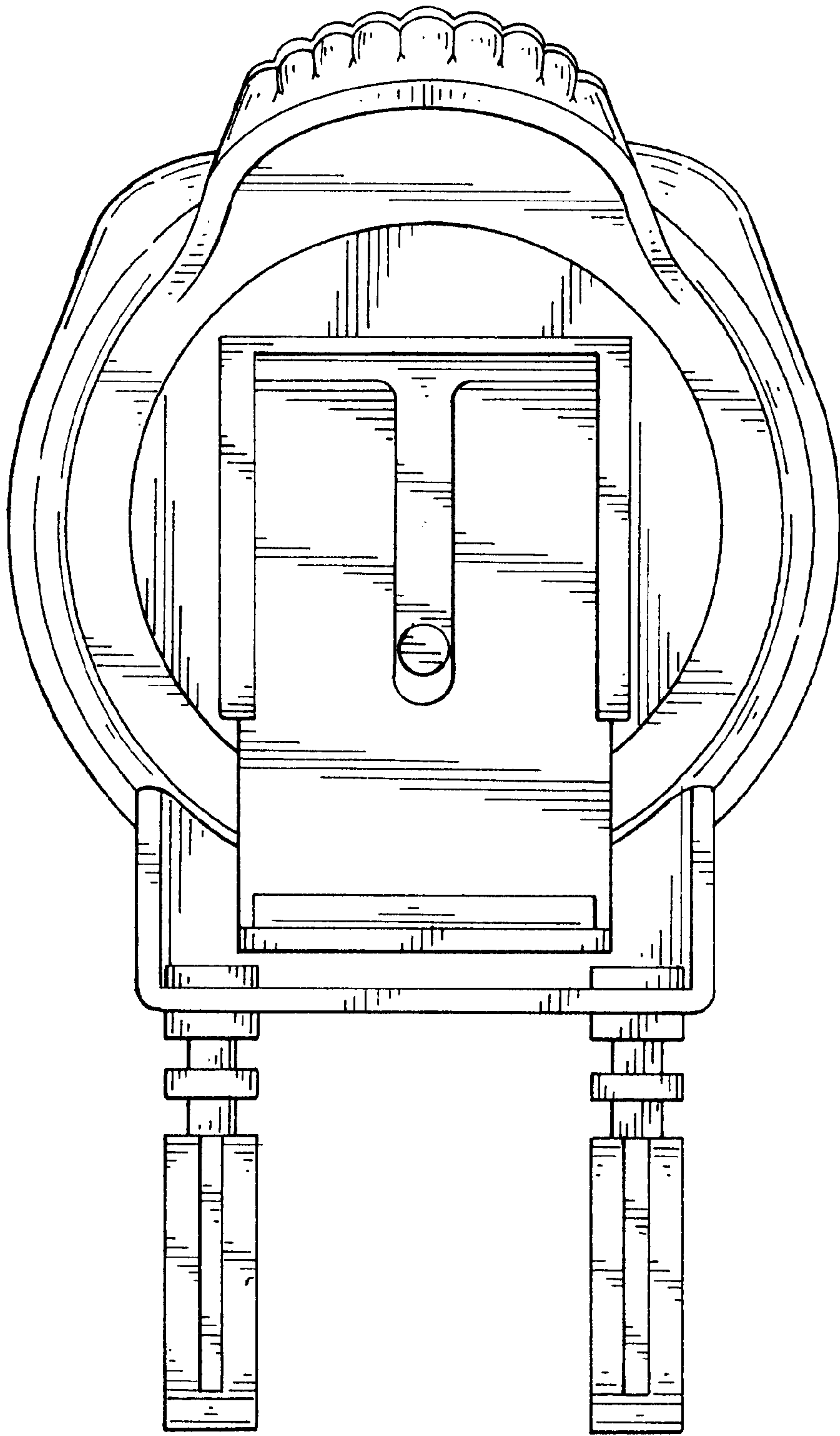


FIG. 7

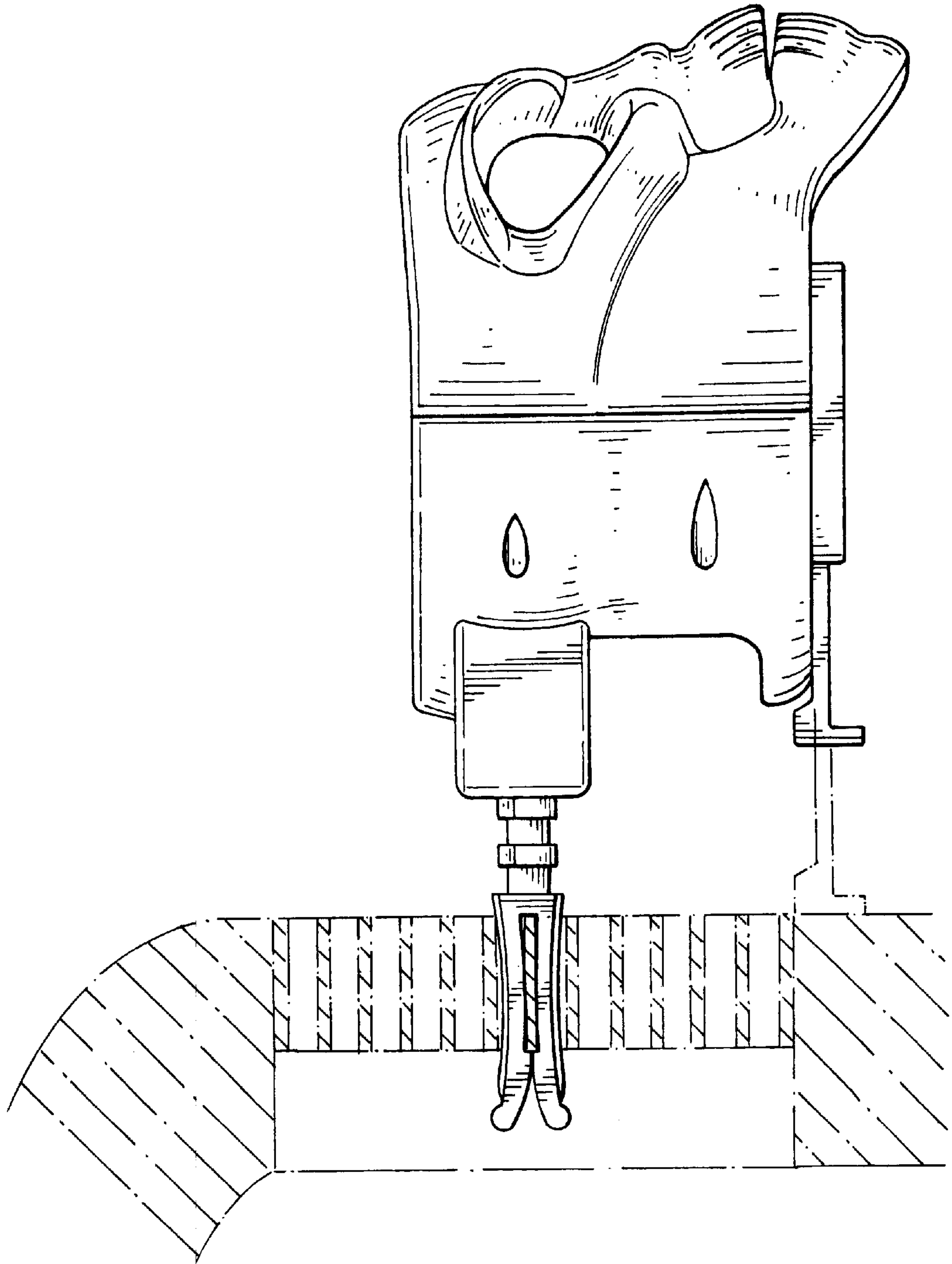


FIG. 8