



US00D463218S

(12) **United States Design Patent**
Wu et al.

(10) **Patent No.:** **US D463,218 S**

(45) **Date of Patent:** **** Sep. 24, 2002**

(54) **CAN FREEZER**

(75) Inventors: **Chien-Hsiung Wu**, Banchian (TW);
Shueh-Cheng Lu, Tucheng (TW)

(73) Assignee: **U-Long Co., Ltd.**, Taipei (TW)

(**) Term: **14 Years**

(21) Appl. No.: **29/147,651**

(22) Filed: **Sep. 5, 2001**

(51) **LOC (7) Cl.** **07-01**

(52) **U.S. Cl.** **D7/605**

(58) **Field of Search** D7/605-608, 619-624;
62/457.1, 457.5, 457.8, 457.9; 215/392-396;
220/737, 739, 903

(56) **References Cited**

U.S. PATENT DOCUMENTS

4,344,303	A	*	8/1982	Kelly, Jr.	215/395	X
4,711,099	A	*	12/1987	Polan et al.	62/457.4	
D365,250	S	*	12/1995	Bergin et al.	D7/620	
D429,967	S	*	8/2000	Barfield	D7/620	

* cited by examiner

Primary Examiner—Terry A. Wallace

(74) *Attorney, Agent, or Firm*—Bacon & Thomas, PLLC

(57) **CLAIM**

The ornamental design for a can freezer, as shown and described.

DESCRIPTION

FIG. 1 is a top perspective view of a can freezer of the present invention;

FIG. 2 is a top plan view of the can freezer as shown in FIG. 1;

FIG. 3 is a left side view of the can freezer as shown in FIG. 1;

FIG. 4 is a bottom plan view of the can freezer as shown in FIG. 1;

FIG. 5 is a front view of the can freezer as shown in FIG. 1;

FIG. 6 is a rear view of the can freezer as shown in FIG. 1; and,

FIG. 7 is a right side view of the can freezer as shown in FIG. 1.

1 Claim, 7 Drawing Sheets

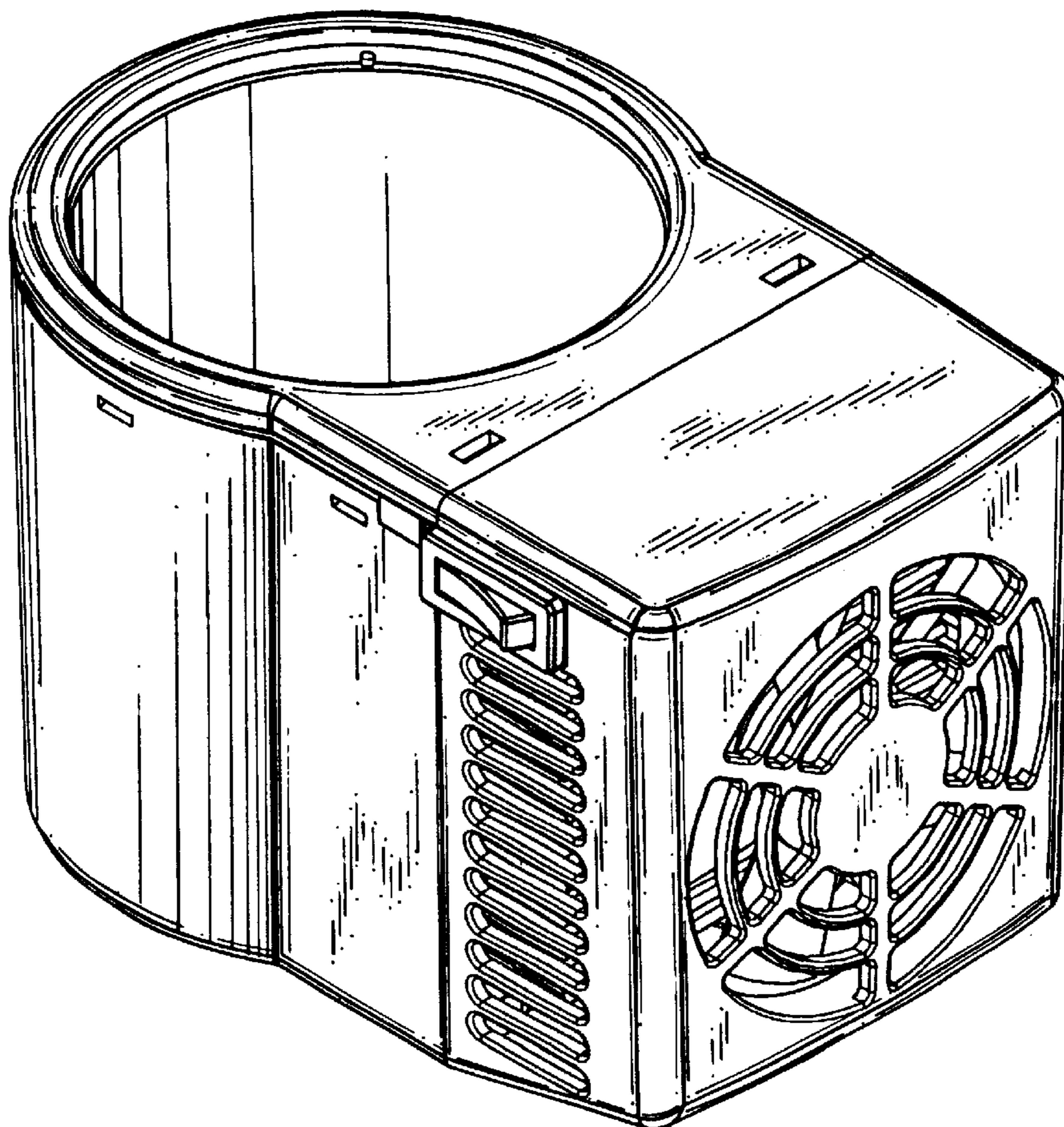


Fig. 1

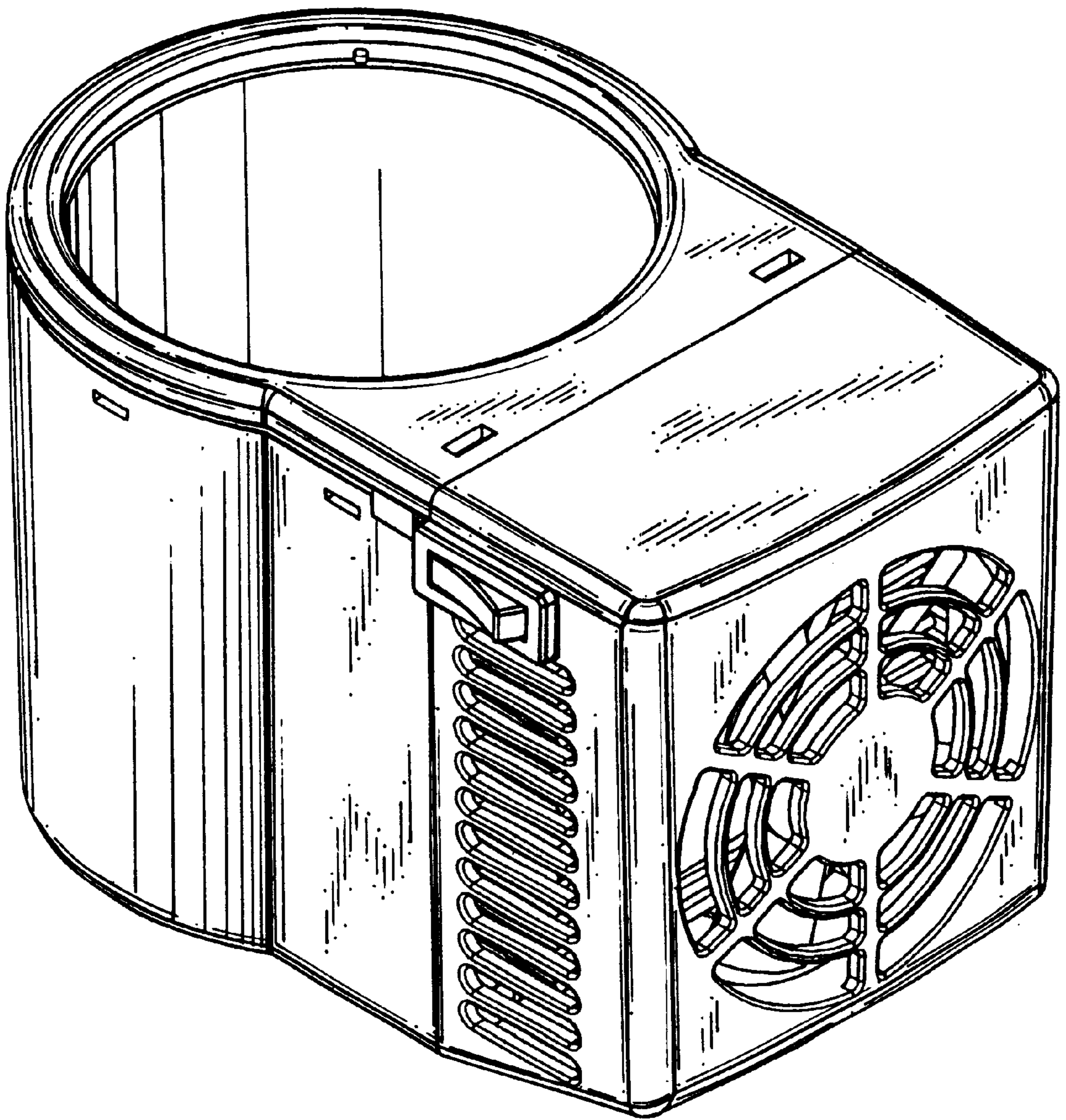


Fig. 2

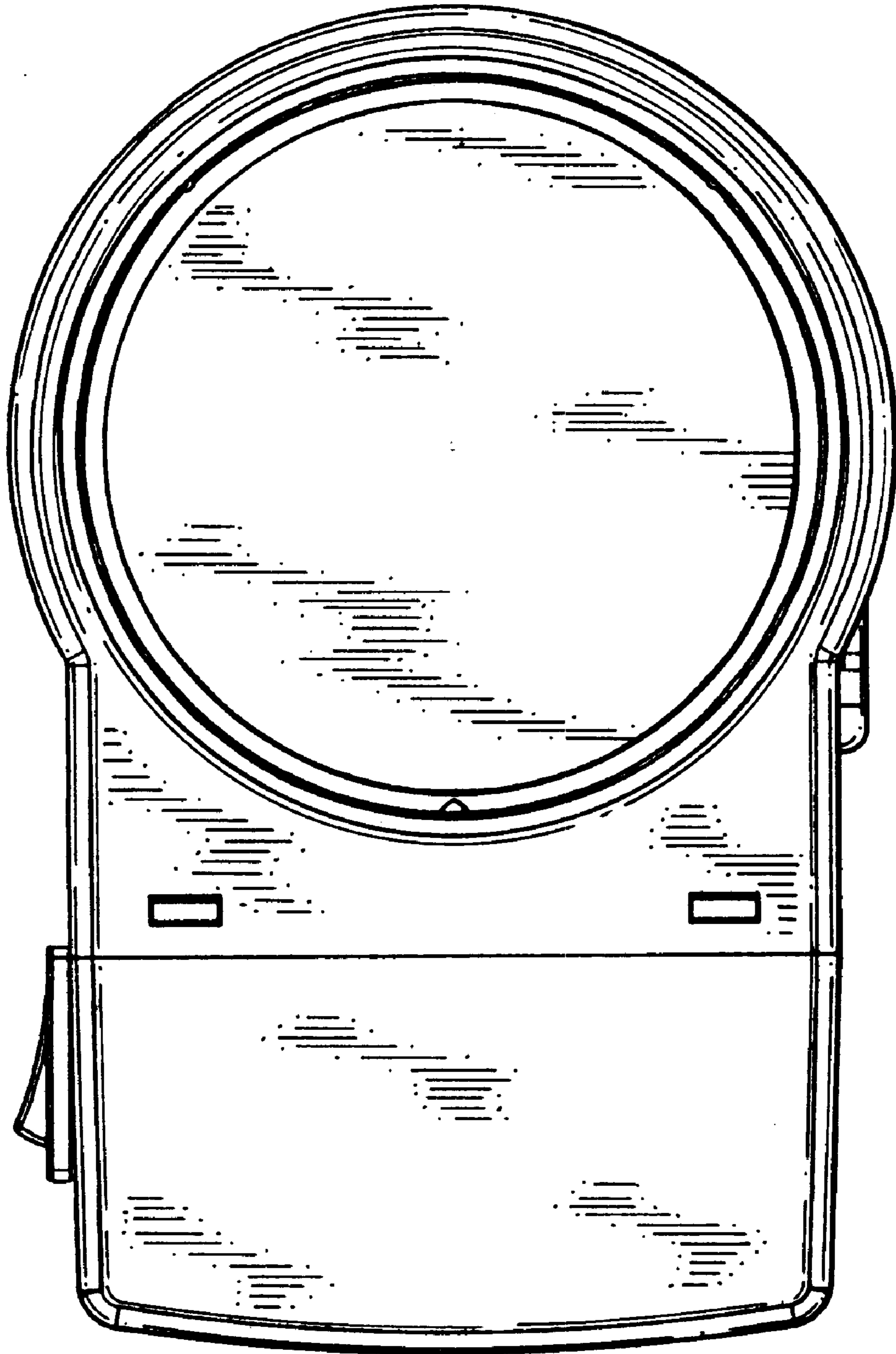


Fig.3

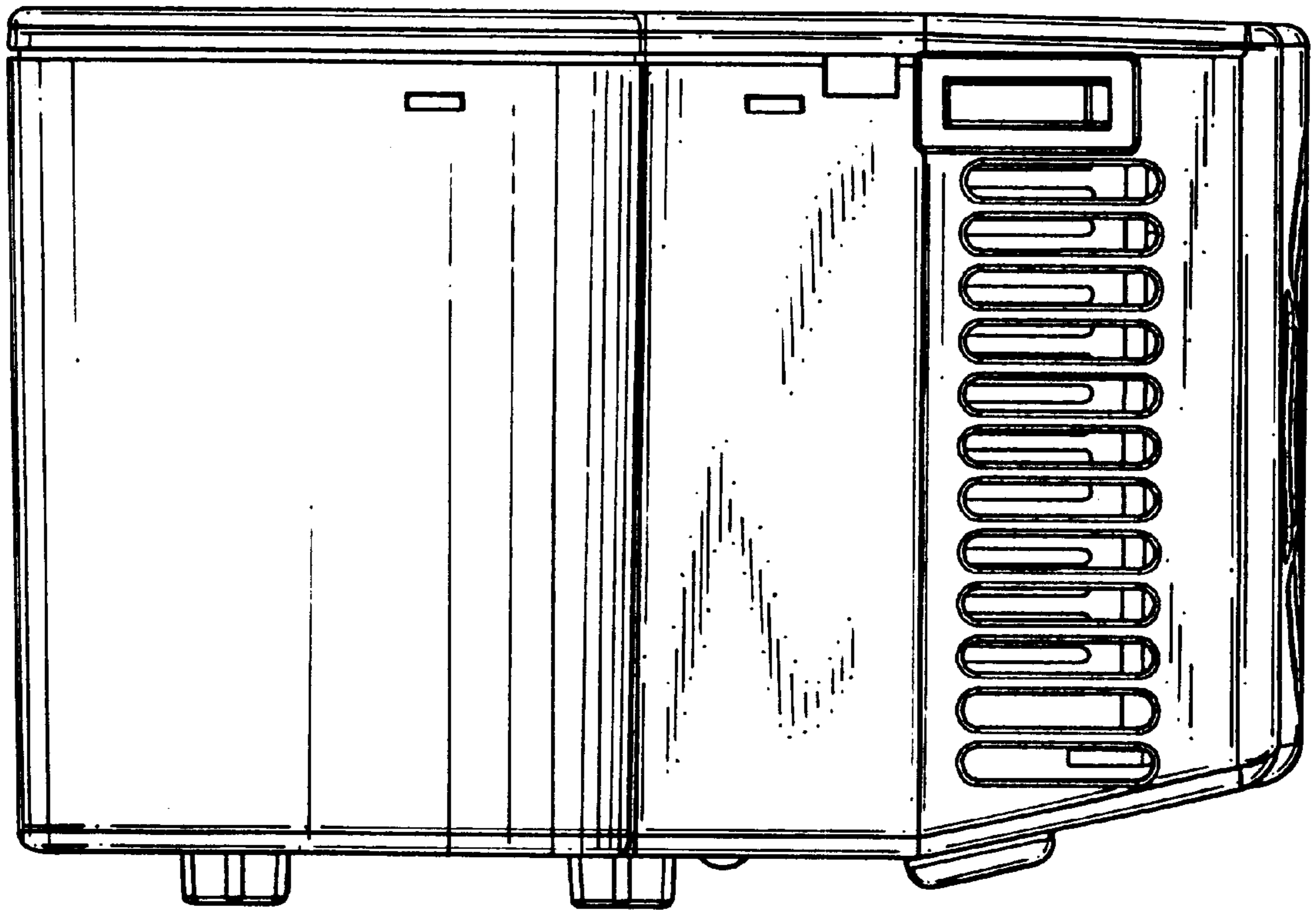


Fig.4

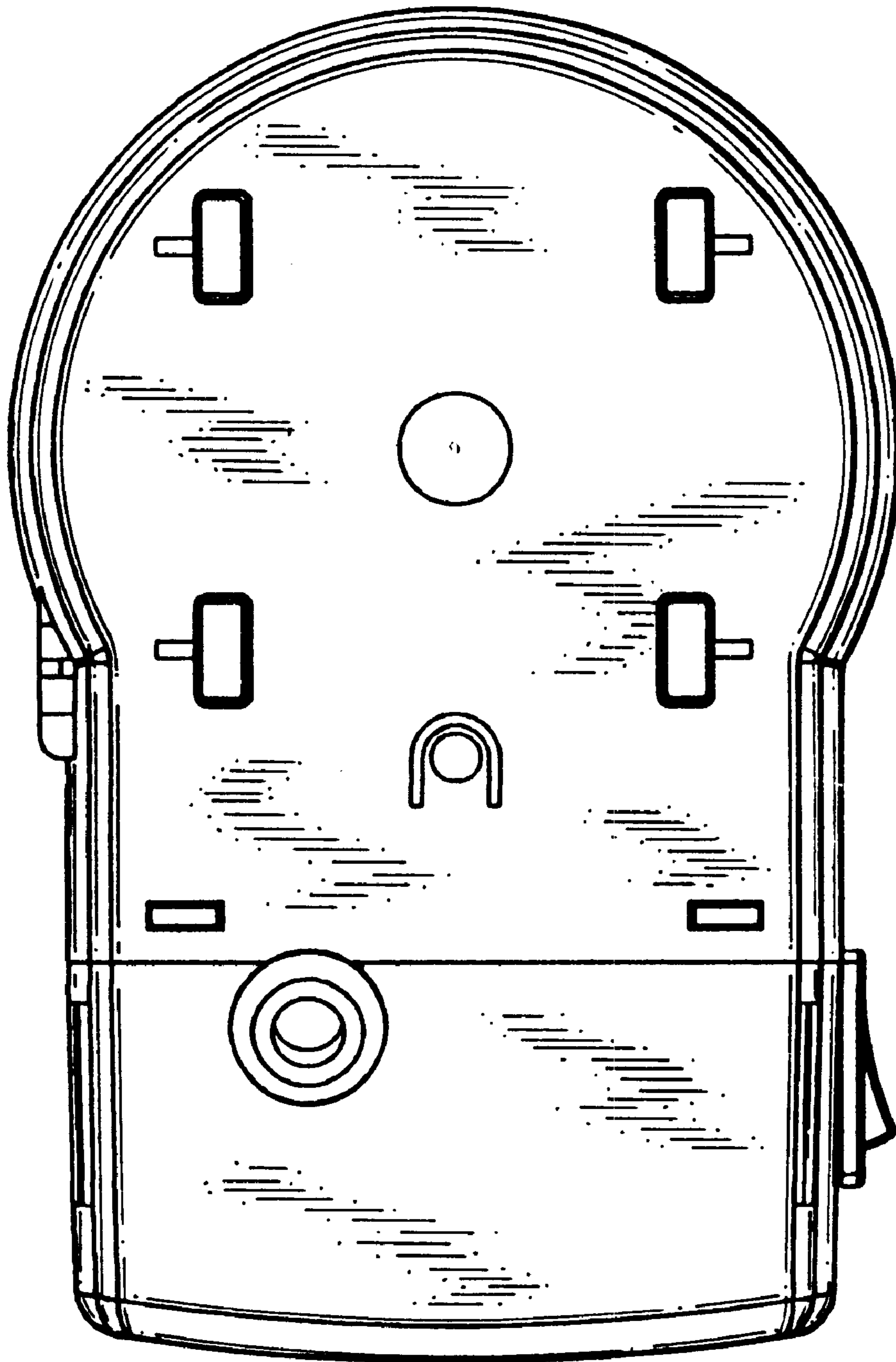


Fig. 5

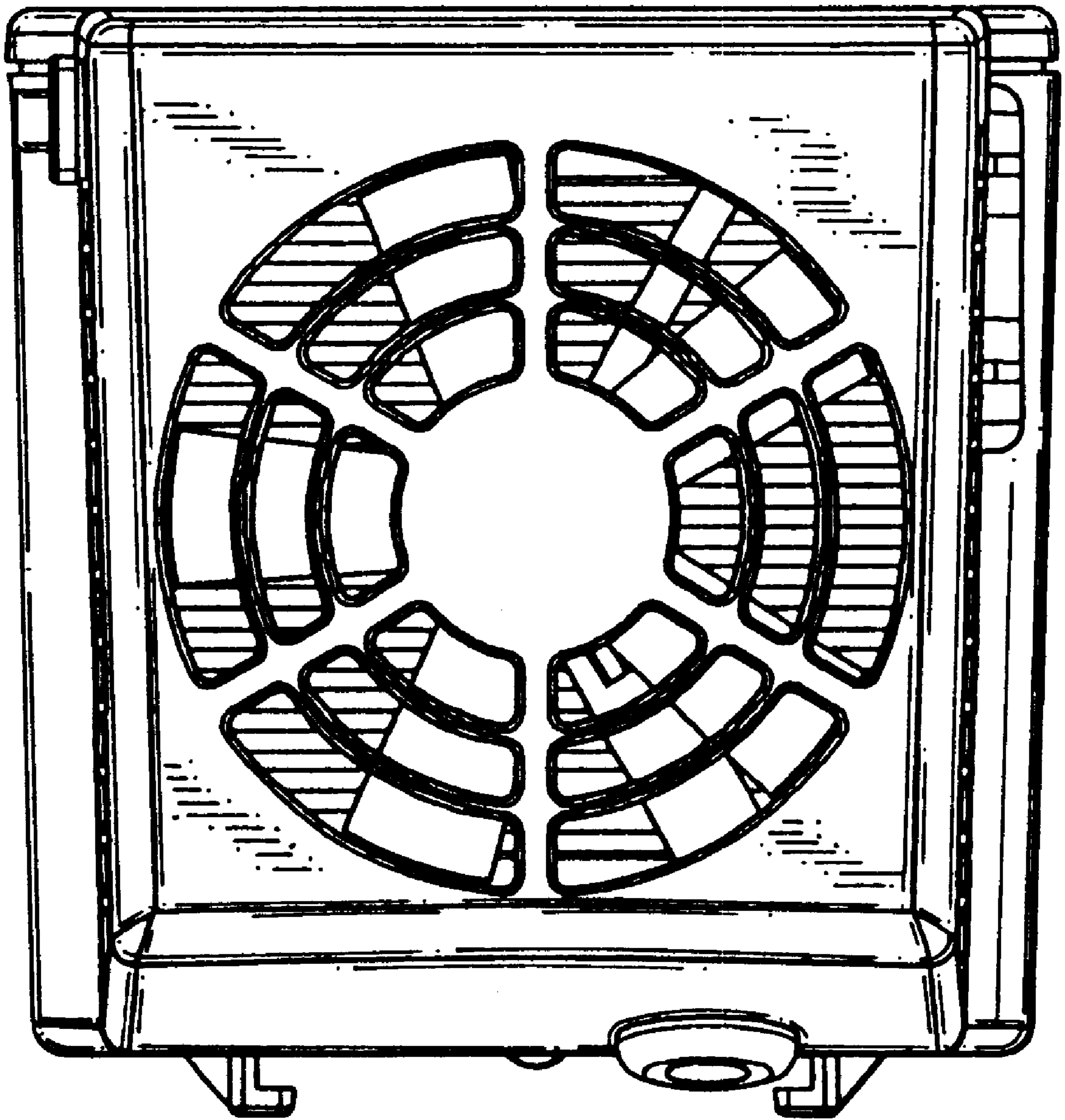


Fig.6

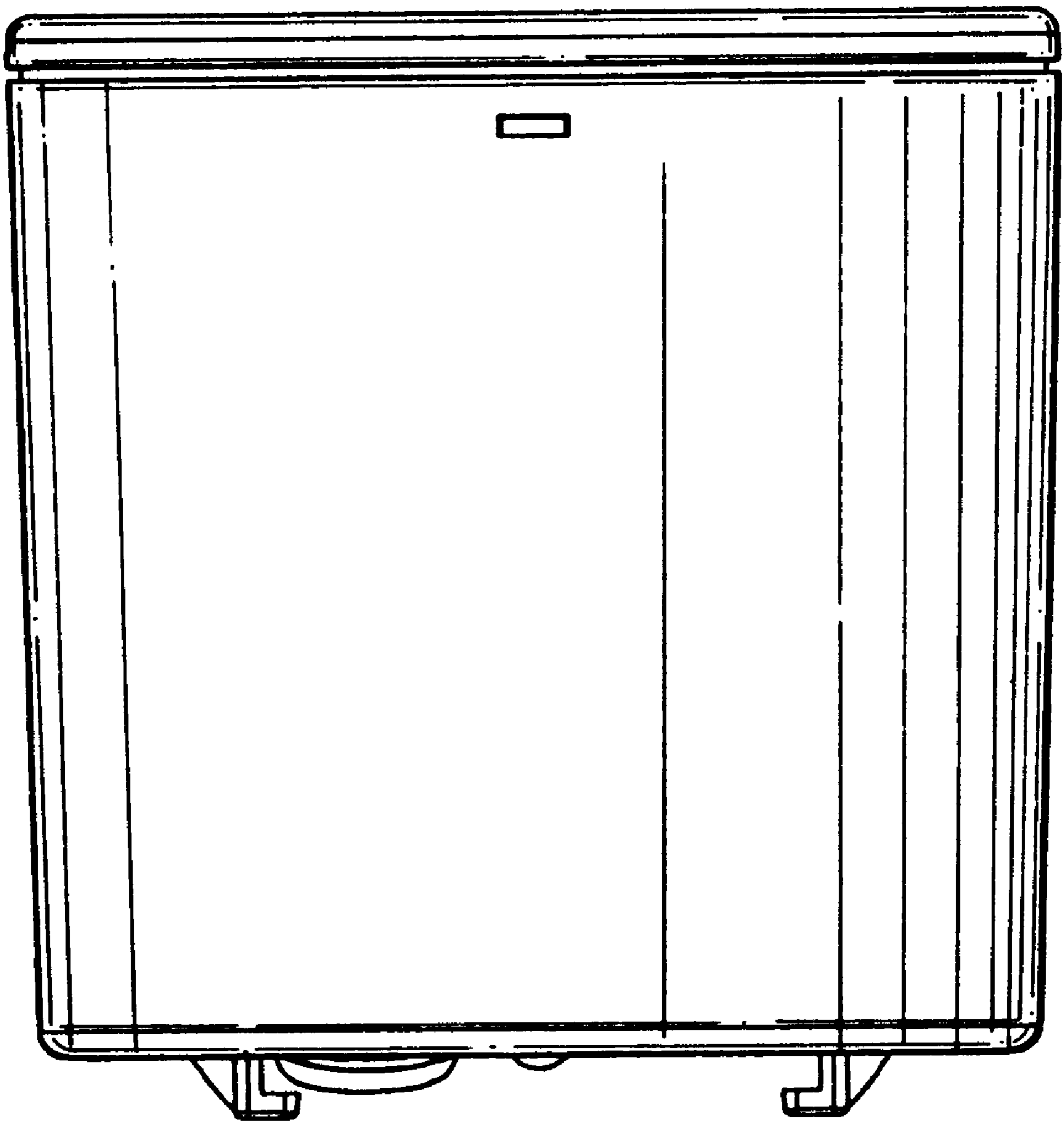


Fig.7

