



US00D463214S

(12) **United States Design Patent**
Janes, Jr.

(10) **Patent No.:** **US D463,214 S**

(45) **Date of Patent:** **** Sep. 24, 2002**

(54) **AIRCRAFT GALLEY OVEN DOOR**

6,357,806 B1 * 3/2002 Saku 292/140

(76) Inventor: **David Anthony Janes, Jr.**, 12 Torrey
Pines La., Newport Beach, CA (US)
92660

* cited by examiner

Primary Examiner—Sandra L. Morris
(74) *Attorney, Agent, or Firm*—Fulwider Patton Lee &
Utecht, LLP

(**) Term: **14 Years**

(21) Appl. No.: **29/139,046**

(57) **CLAIM**

(22) Filed: **Mar. 23, 2001**

The ornamental design for an aircraft galley oven door, as shown and described.

(51) **LOC (7) Cl.** **07-02**

DESCRIPTION

(52) **U.S. Cl.** **D7/405**

(58) **Field of Search** D7/347, 402, 405;
D3/272; D6/432; 219/201; 49/501; 126/19 R,
273 R, 273.5, 275 R, 275 E, 293 A

FIG. 1 is a front perspective view of an aircraft galley oven door, showing my new design, the broken line showing is for illustrative purposes only, and forms no part of the claimed design;

(56) **References Cited**

U.S. PATENT DOCUMENTS

D34,416 S	*	4/1901	Buzzcott	D7/405
3,751,629 A	*	8/1973	Eisler	219/201
4,055,317 A	*	10/1977	Greiss	244/118.5
4,171,478 A	*	10/1979	Naykki	126/21 A
4,536,990 A	*	8/1985	Siegrist et al.	49/501
4,776,903 A	*	10/1988	Nordskog	156/153
5,074,496 A	*	12/1991	Rezag et al.	105/327

FIG. 2 is a top plan view thereof;
FIG. 3 is a front view thereof;
FIG. 4 is a bottom view thereof;
FIG. 5 is a left hand view thereof;
FIG. 6 is a right hand elevational view thereof; and,
FIG. 7 is a perspective view of a second embodiment thereof.

1 Claim, 4 Drawing Sheets

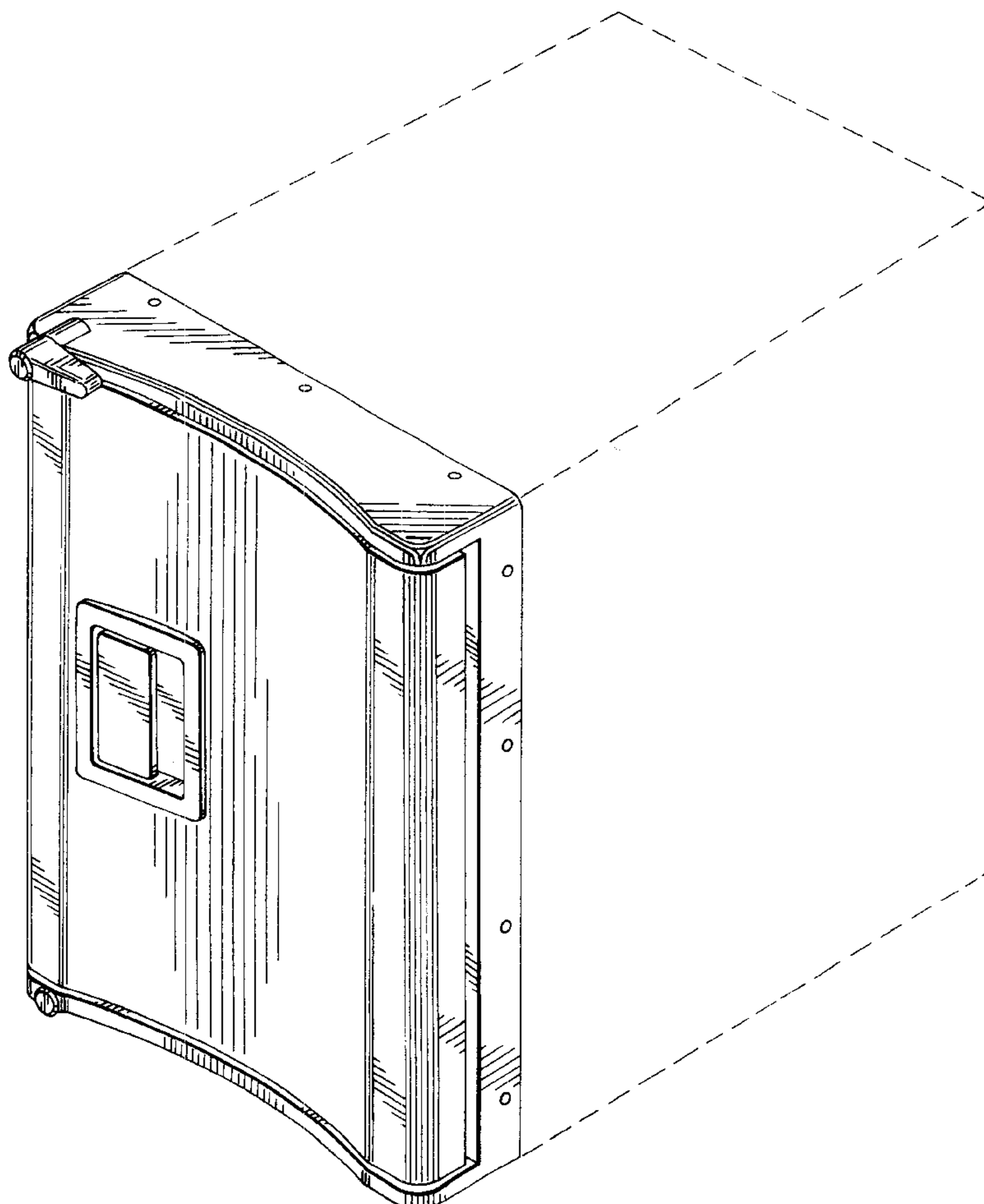


FIG. 1

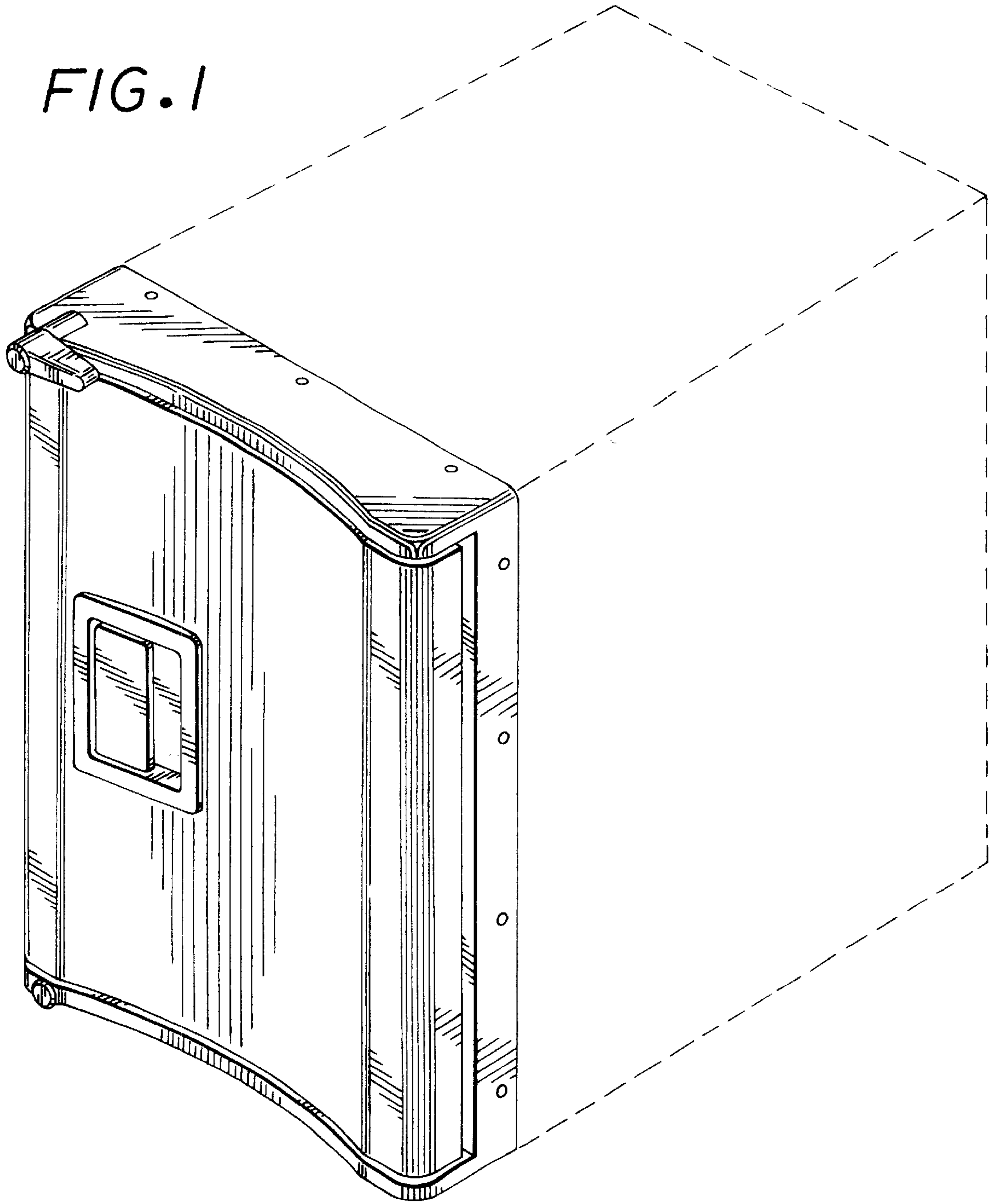


FIG. 2

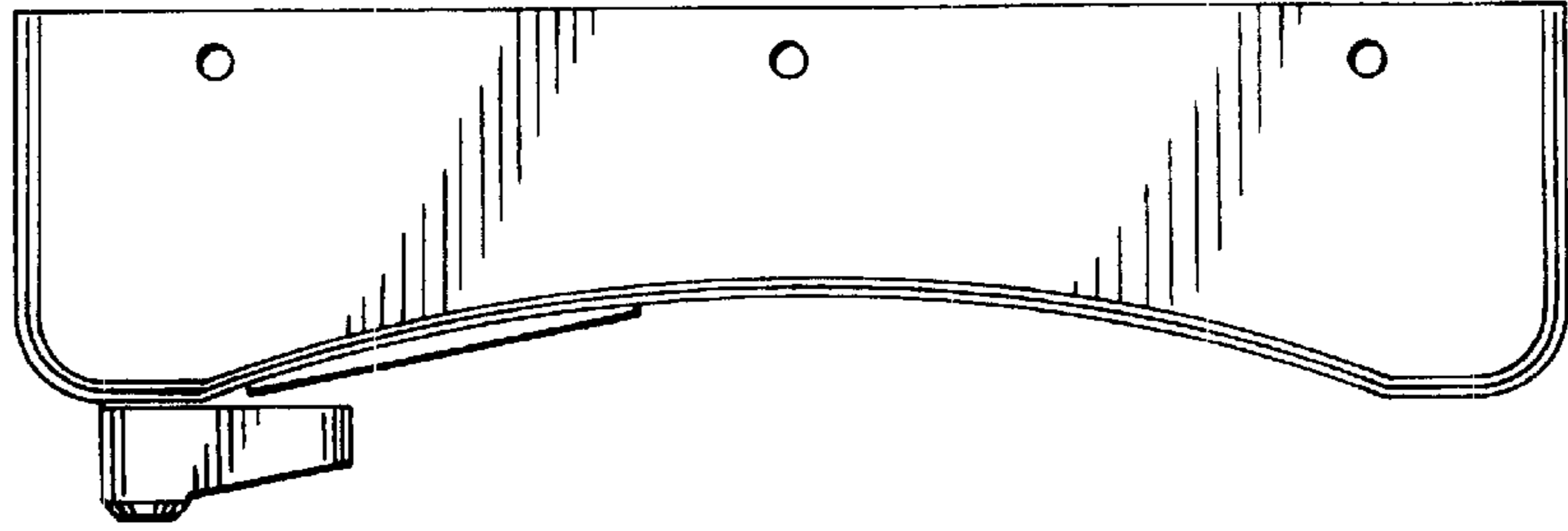


FIG. 3

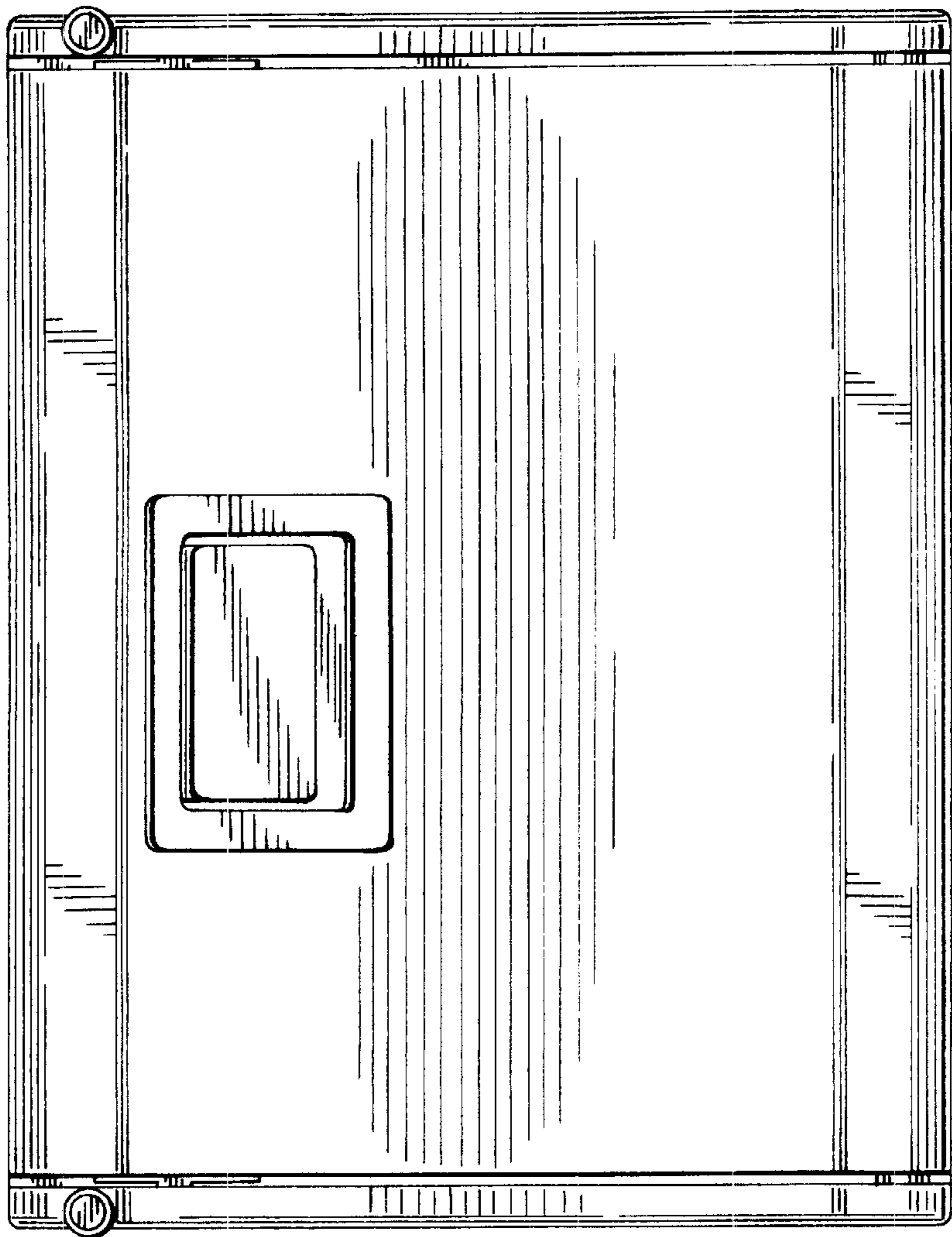


FIG. 4

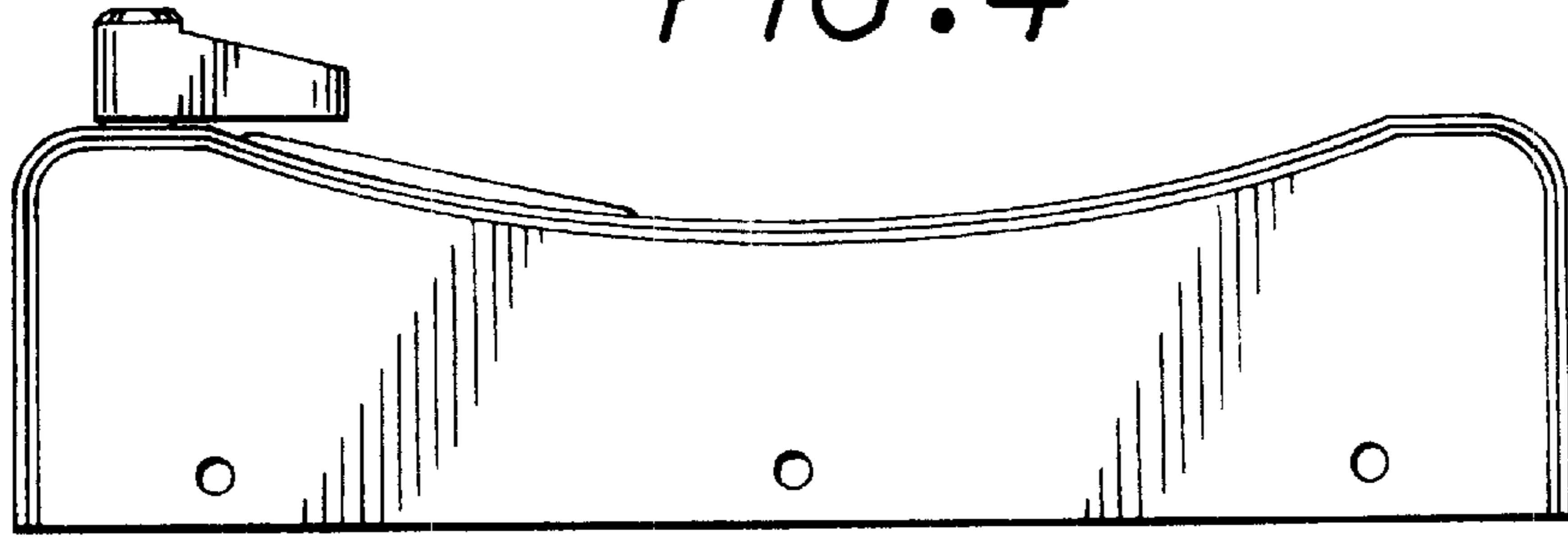


FIG. 5

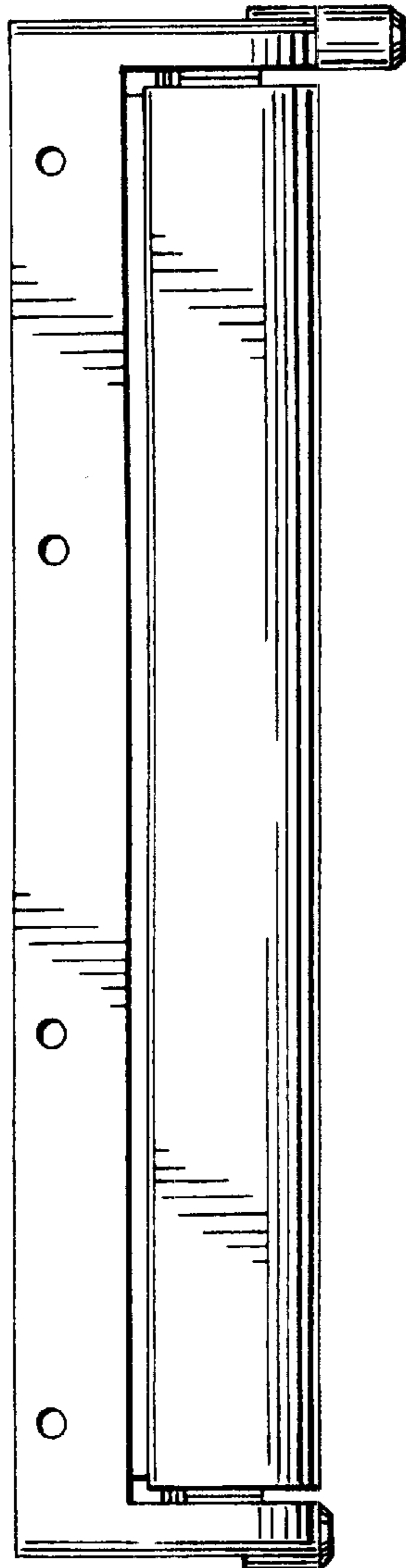
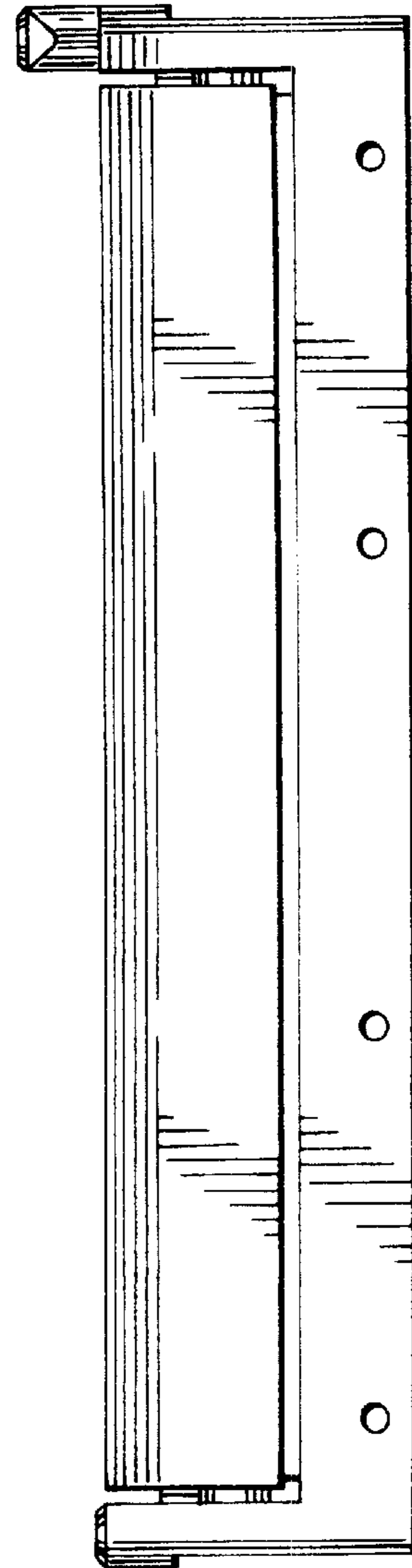


FIG. 6



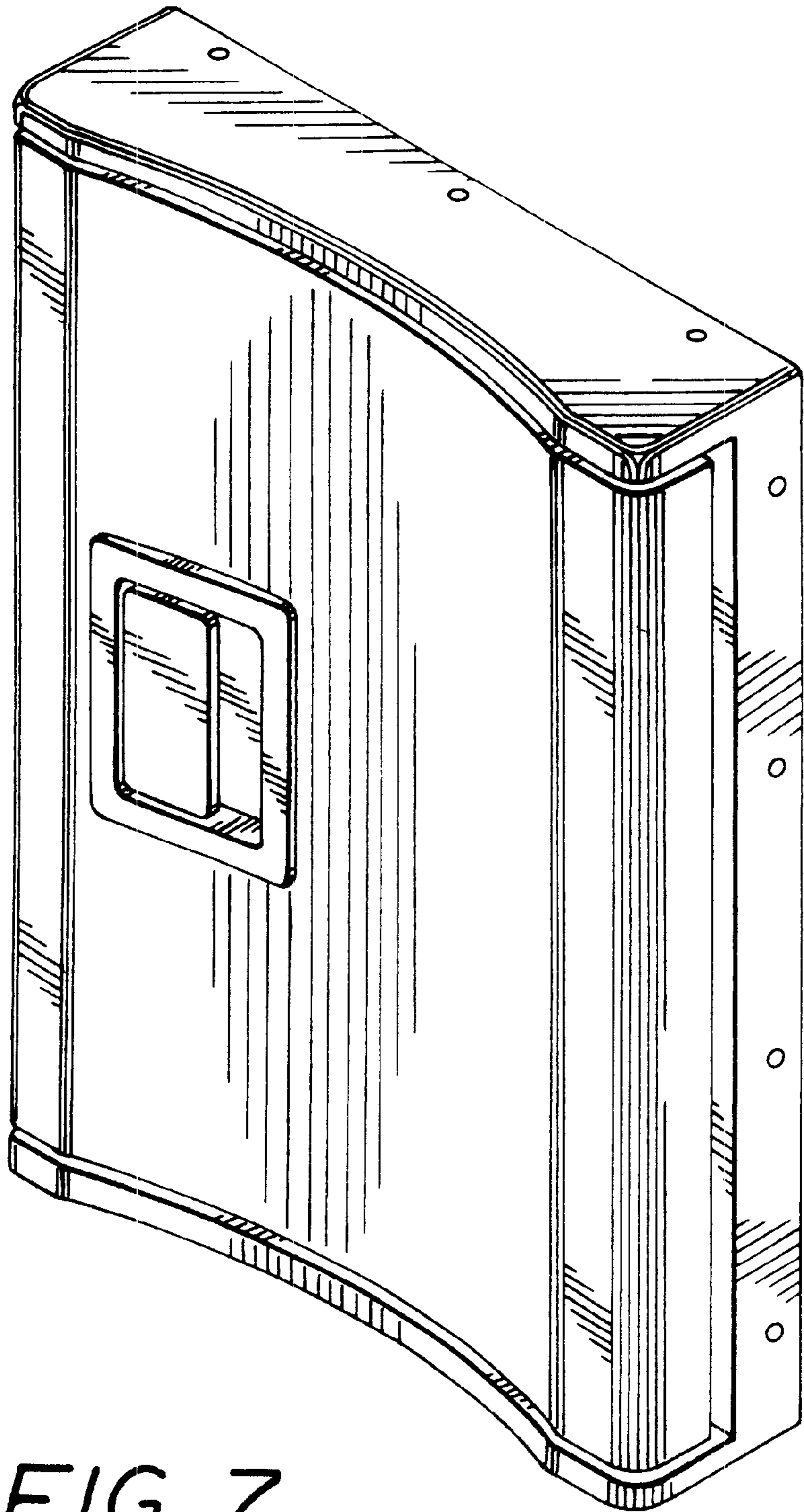


FIG. 7