



US00D463209S

(12) **United States Design Patent**
Wagner

(10) **Patent No.:** **US D463,209 S**

(45) **Date of Patent:** **** Sep. 24, 2002**

(54) **GRIP FOR A PRESSURE COOKER**

(75) **Inventor:** **Wolf Udo Wagner, Frankfurt (DE)**

(73) **Assignee:** **WMF Wuerttembergische Metallwarenfabrik AG, Geislingen/Steige (DE)**

(**) **Term:** **14 Years**

(21) **Appl. No.:** **29/146,612**

(22) **Filed:** **Aug. 13, 2001**

(30) **Foreign Application Priority Data**

Feb. 14, 2001 (WO) DM/055 671

(51) **LOC (7) Cl.** **07-02**

(52) **U.S. Cl.** **D7/393**

(58) **Field of Search** D7/393, 395, 323, D7/354-361, 365, 366; 99/324, 325, 330-339, 403; 220/912

(56) **References Cited**

U.S. PATENT DOCUMENTS

4,257,394 A * 3/1981 Zabel D7/358 X
D312,751 S * 12/1990 Moreno D7/358

D315,847 S * 4/1991 Sebillotte D7/393
D365,494 S * 12/1995 Roussard D7/358
D433,273 S * 11/2000 Roussard D7/358

OTHER PUBLICATIONS

WMF—WMF Schnelltopfe—Catalog p. 52—date unknown.

* cited by examiner

Primary Examiner—Terry A. Wallace

(74) *Attorney, Agent, or Firm*—Flynn, Thiel, Boutell & Tanis, P.C.

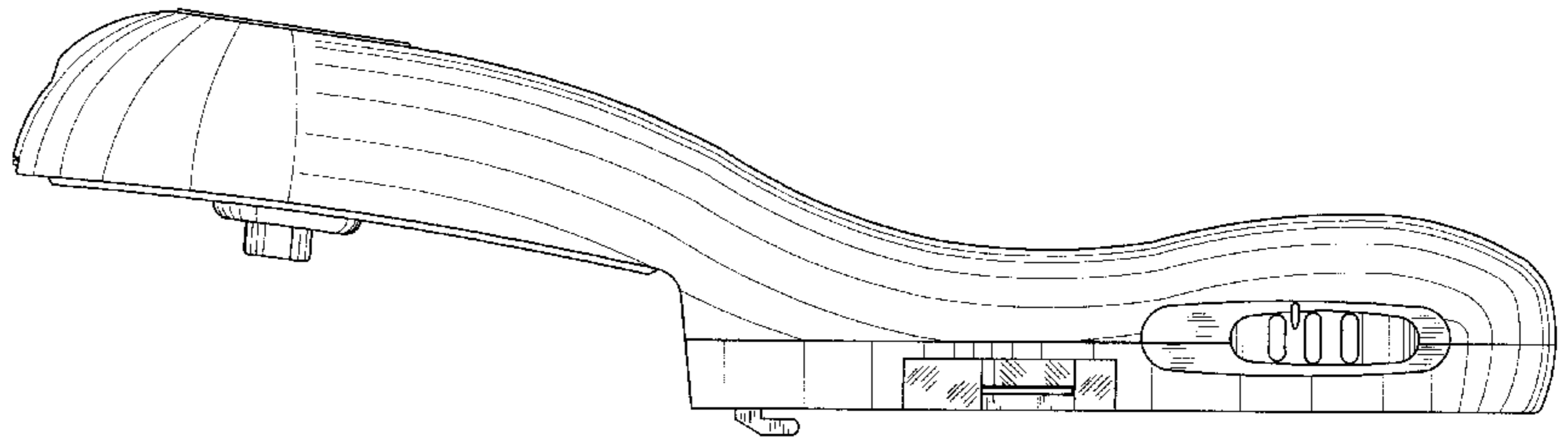
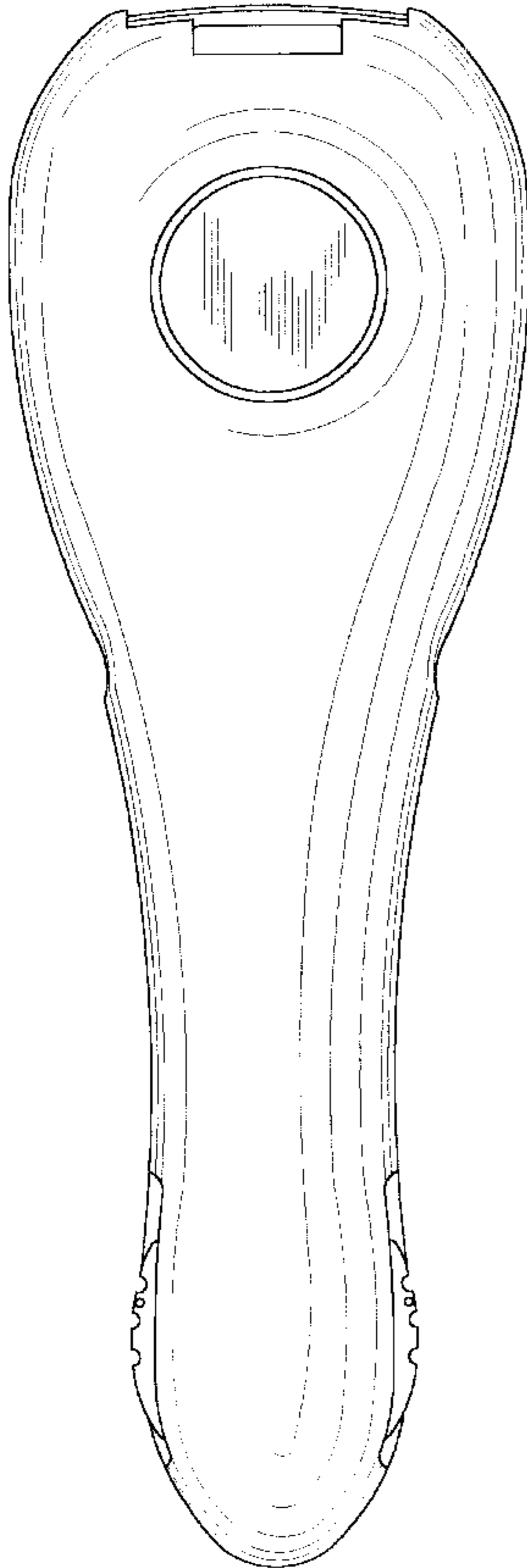
(57) **CLAIM**

The ornamental design in a grip for a pressure cooker, as shown and described.

DESCRIPTION

FIG. 1 is a top view of a grip for a pressure cooker embodying my new design;
FIG. 2 is a left side view thereof;
FIG. 3 is a right side view thereof;
FIG. 4 is a front view thereof;
FIG. 5 is a rear view thereof; and,
FIG. 6 is a bottom view thereof.

1 Claim, 5 Drawing Sheets



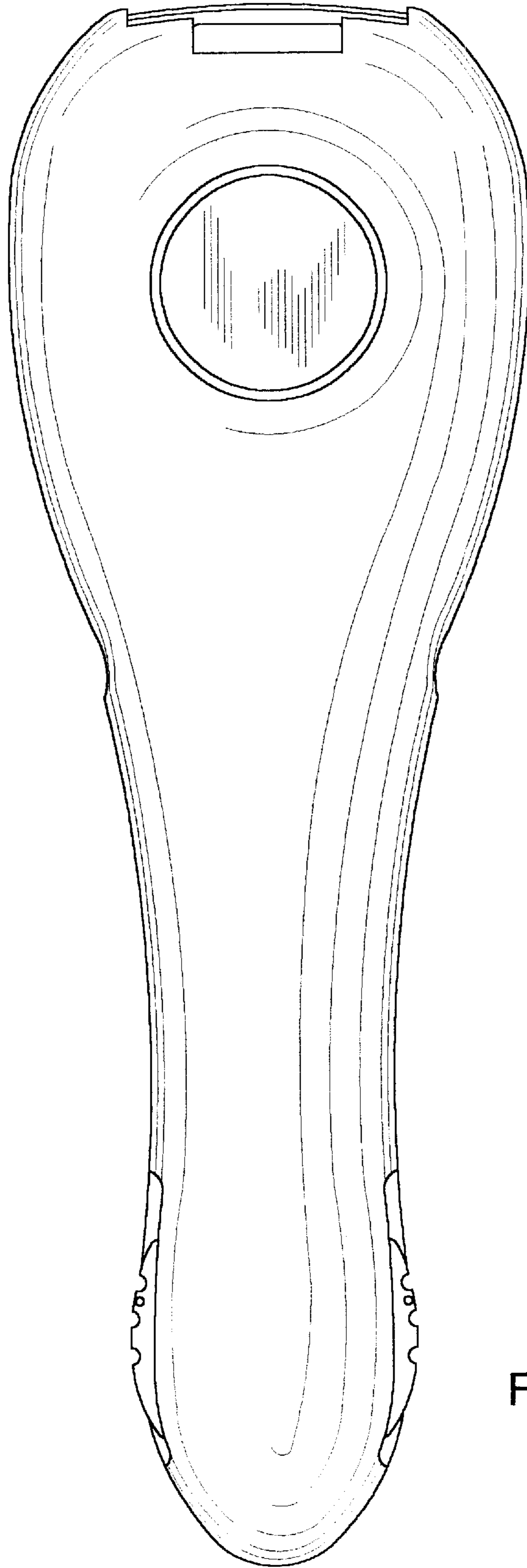


FIG. 1

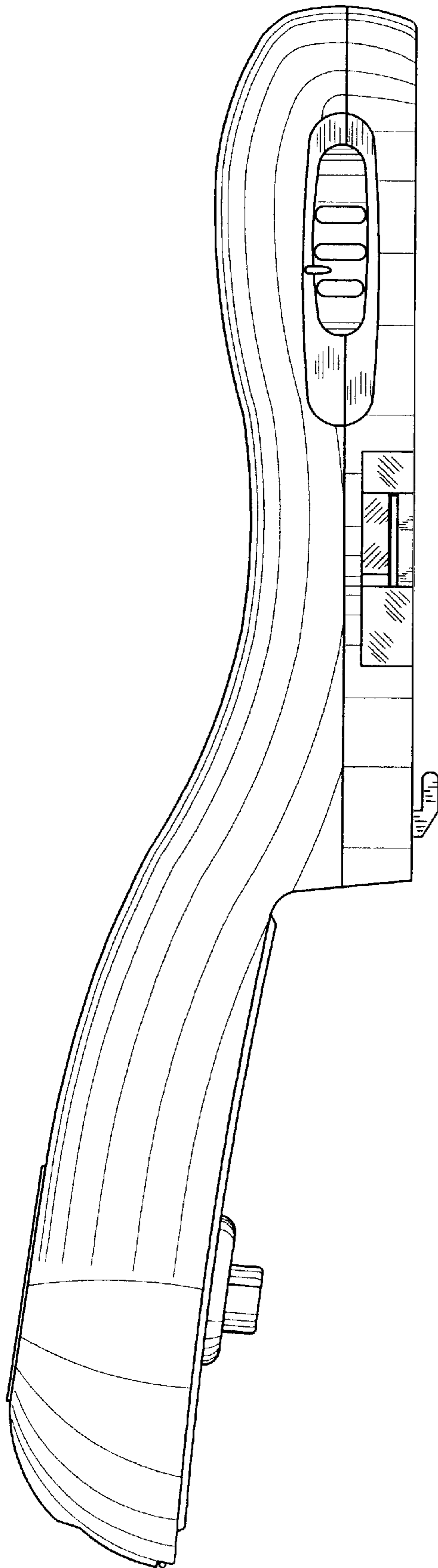


FIG. 2

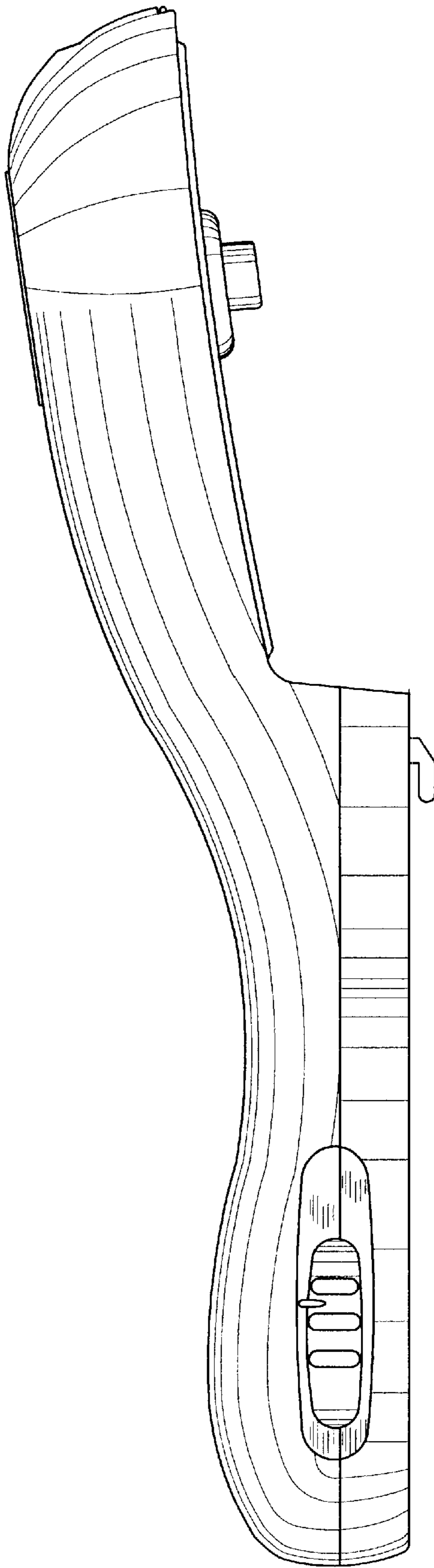


FIG. 3

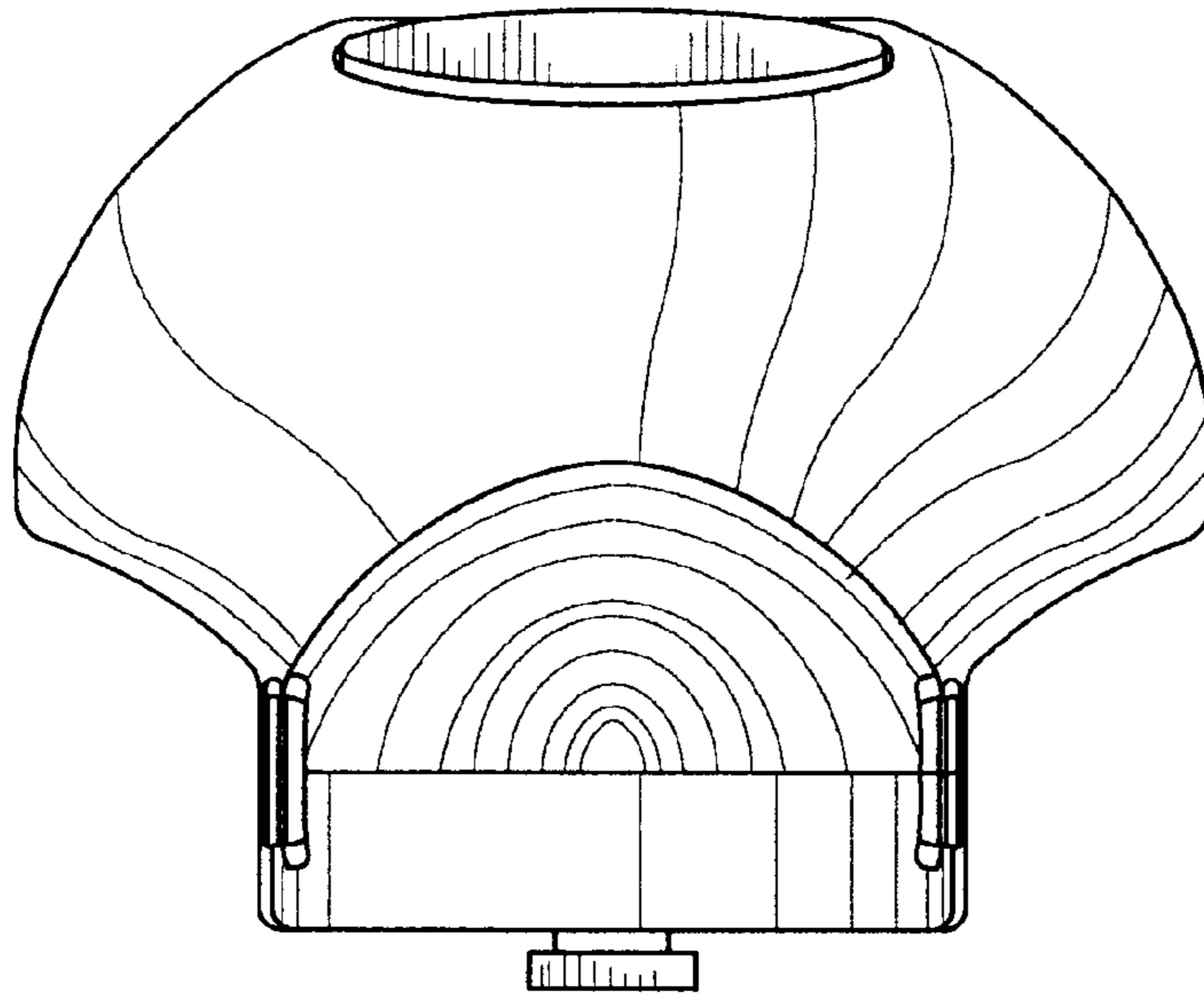


FIG. 4

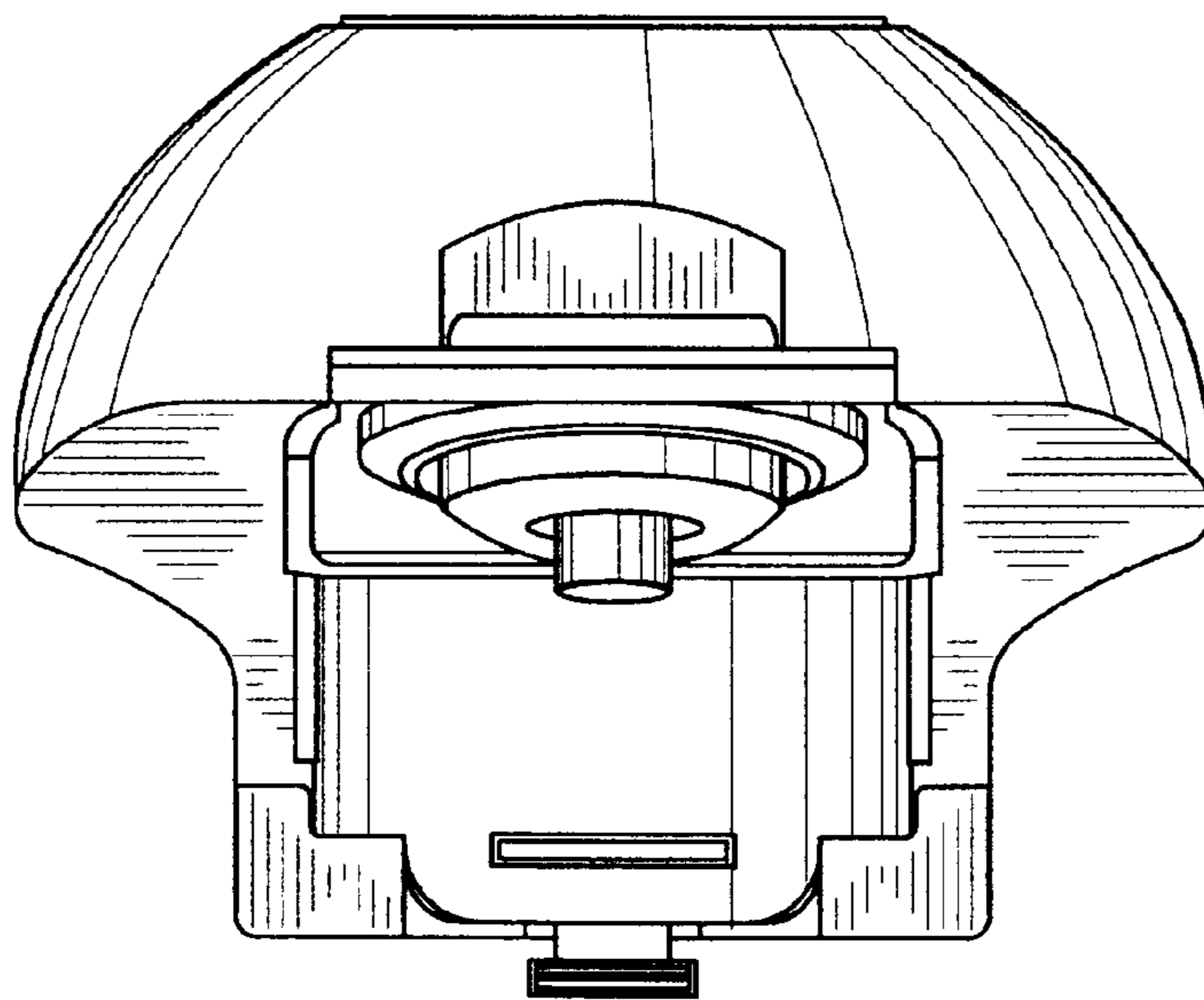


FIG. 5

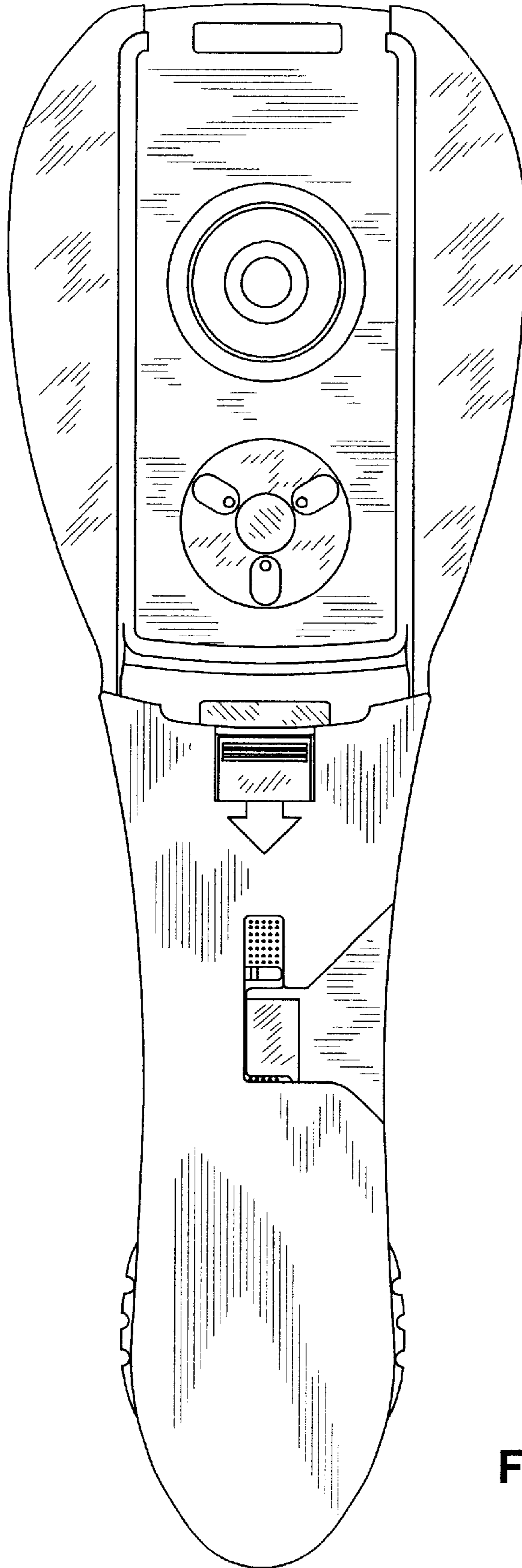


FIG. 6