



US00D463208S

(12) **United States Design Patent**
Copeland

(10) **Patent No.:** **US D463,208 S**

(45) **Date of Patent:** **** Sep. 24, 2002**

(54) **LID FOR A CUP**

(75) Inventor: **Bruce William Copeland**, Stone Mountain, GA (US)

(73) Assignee: **Williams Industries, Inc.**, Shelbyville, IN (US)

(**) Term: **14 Years**

(21) Appl. No.: **29/154,827**

(22) Filed: **Jan. 30, 2002**

(51) **LOC (7) Cl.** **07-01**

(52) **U.S. Cl.** **D7/392.1; D7/396.2**

(58) **Field of Search** D7/510, 511, 392.1, D7/396.2, 536; D9/443, 447, 450, 454, 449; 220/254.5, 715, 293, 73.86, 729, 264, 254.4, 711, 274

(56) **References Cited**

U.S. PATENT DOCUMENTS

4,099,642	A	*	7/1978	Nergard	220/715
4,276,992	A	*	7/1981	Susich	220/254
4,303,173	A	*	12/1981	Nergard	220/254
5,082,134	A	*	1/1992	Ramsey	220/711
5,186,353	A	*	2/1993	Ramsey	220/711
D351,314	S	*	10/1994	Sokolski et al	D7/536
D355,846	S	*	2/1995	Denney et al.	D9/449
D365,247	S	*	12/1995	Sokolski et al.	D7/511

D366,597	S	*	1/1996	Smith et al.	D7/536
D370,156	S	*	5/1996	Feltman, III et al.	D7/536
D382,174	S	*	8/1997	Grimm	D7/510
D387,619	S	*	12/1997	Gross et al.	D7/510
D411,713	S	*	6/1999	Bridges	D7/536
D416,755	S	*	11/1999	Trombly	D7/392.1
D417,360	S	*	12/1999	Bickert et al.	D7/392.1
D420,550	S	*	2/2000	Elshof	D7/510
D431,412	S	*	10/2000	Trombly	D7/392.1
D436,294	S	*	1/2001	Marck	D7/511
D444,032	S	*	6/2001	Isaacs	D7/510

* cited by examiner

Primary Examiner—M. N. Pandozzi

(74) *Attorney, Agent, or Firm*—Barnes & Thornburg

(57) **CLAIM**

The ornamental design for a lid for a cup, as shown and described.

DESCRIPTION

FIG. 1 is a perspective view of a lid for a cup in accordance with my design;

FIG. 2 is a top view thereof;

FIG. 3 is a bottom view thereof;

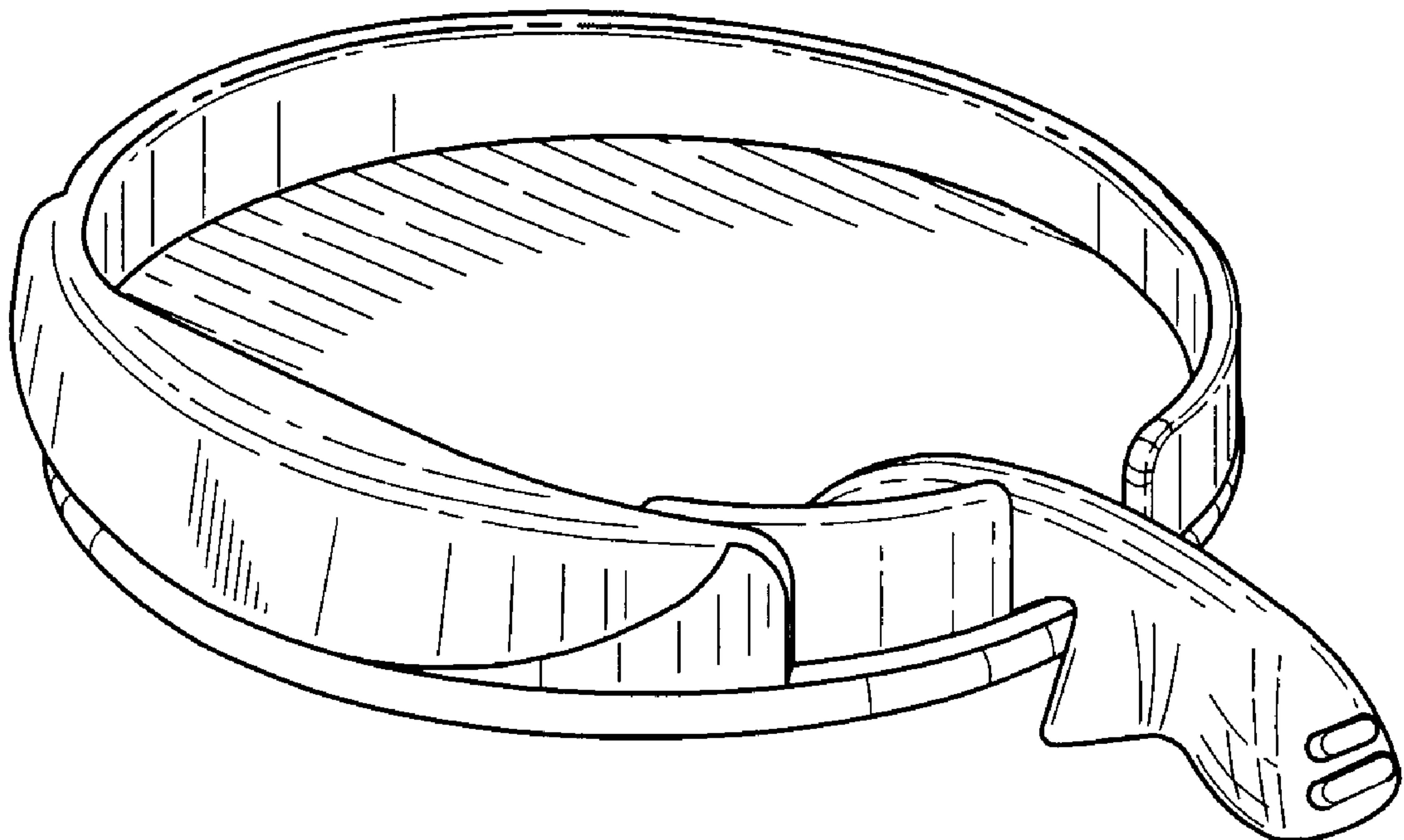
FIG. 4 is a left view thereof;

FIG. 5 is a right view thereof;

FIG. 6 is a front view thereof; and,

FIG. 7 is a rear view thereof.

1 Claim, 4 Drawing Sheets



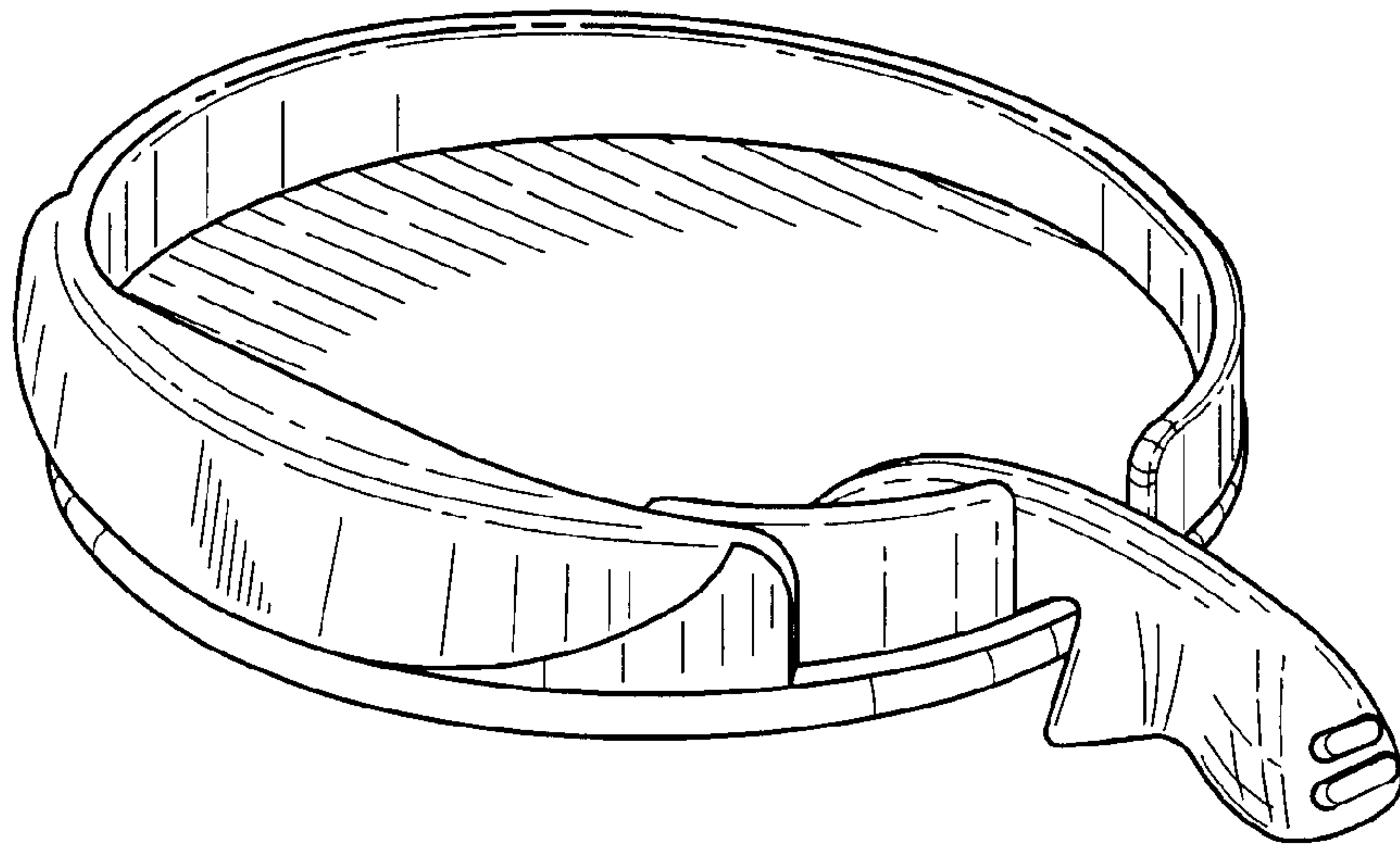


Fig. 1

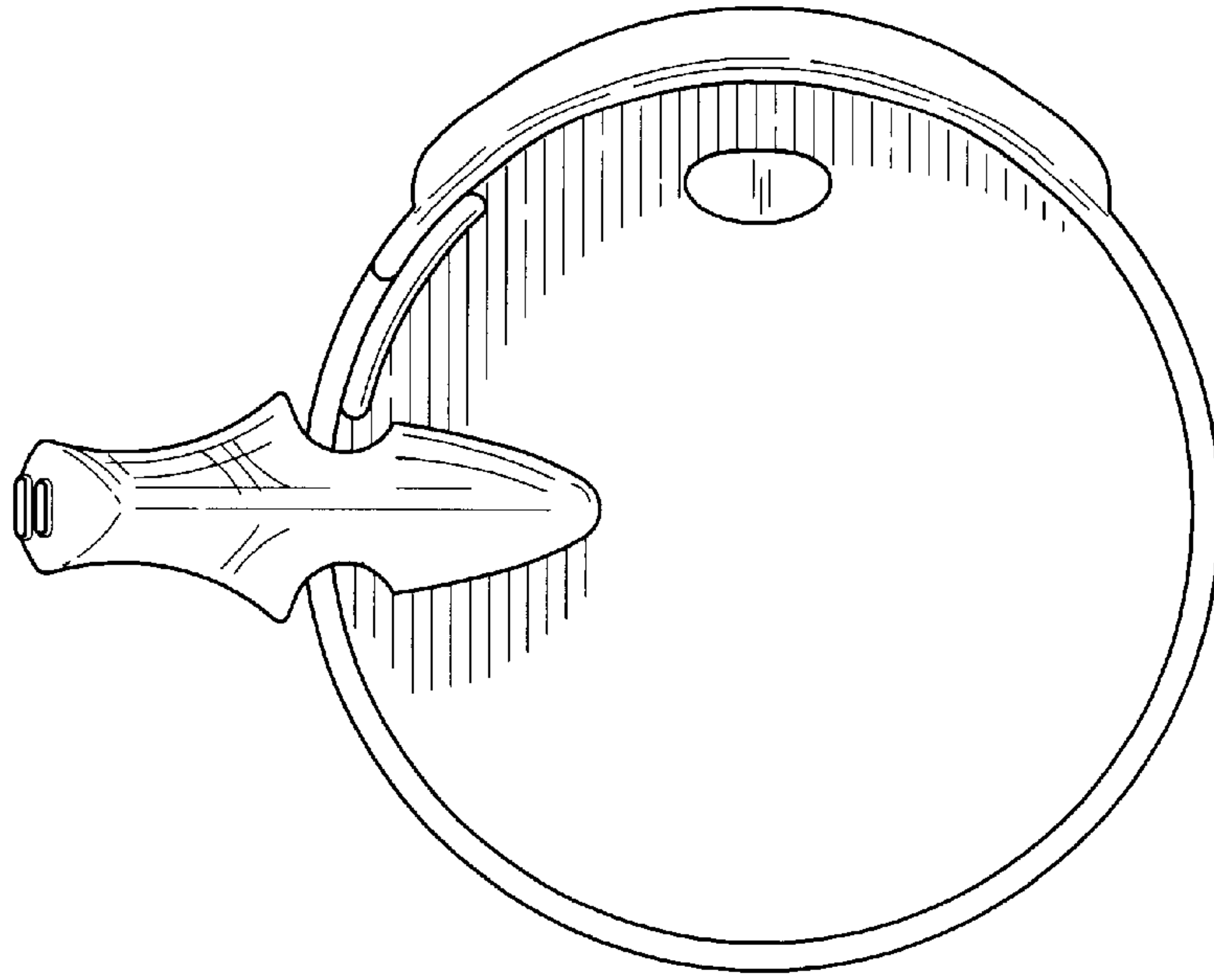


Fig. 2

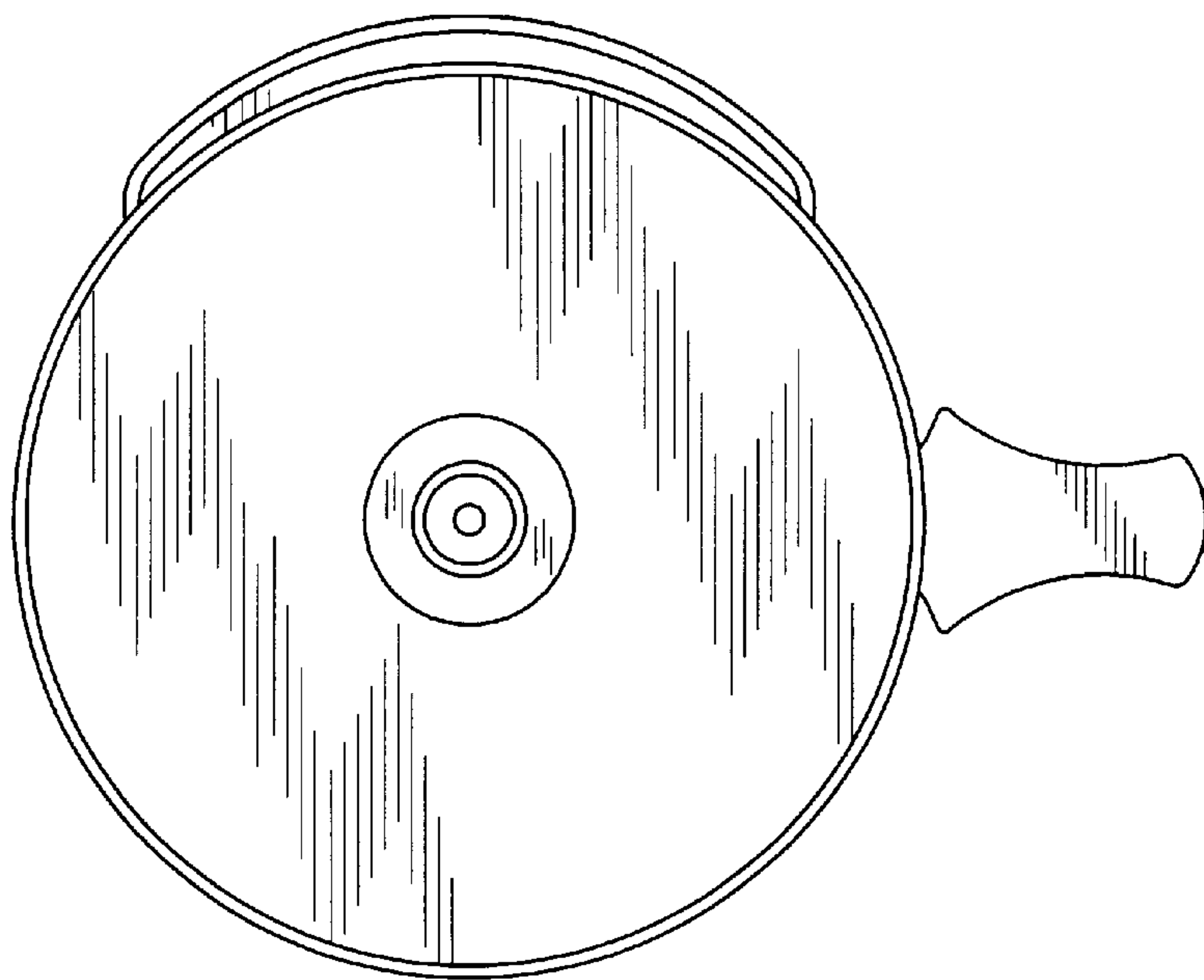


Fig. 3

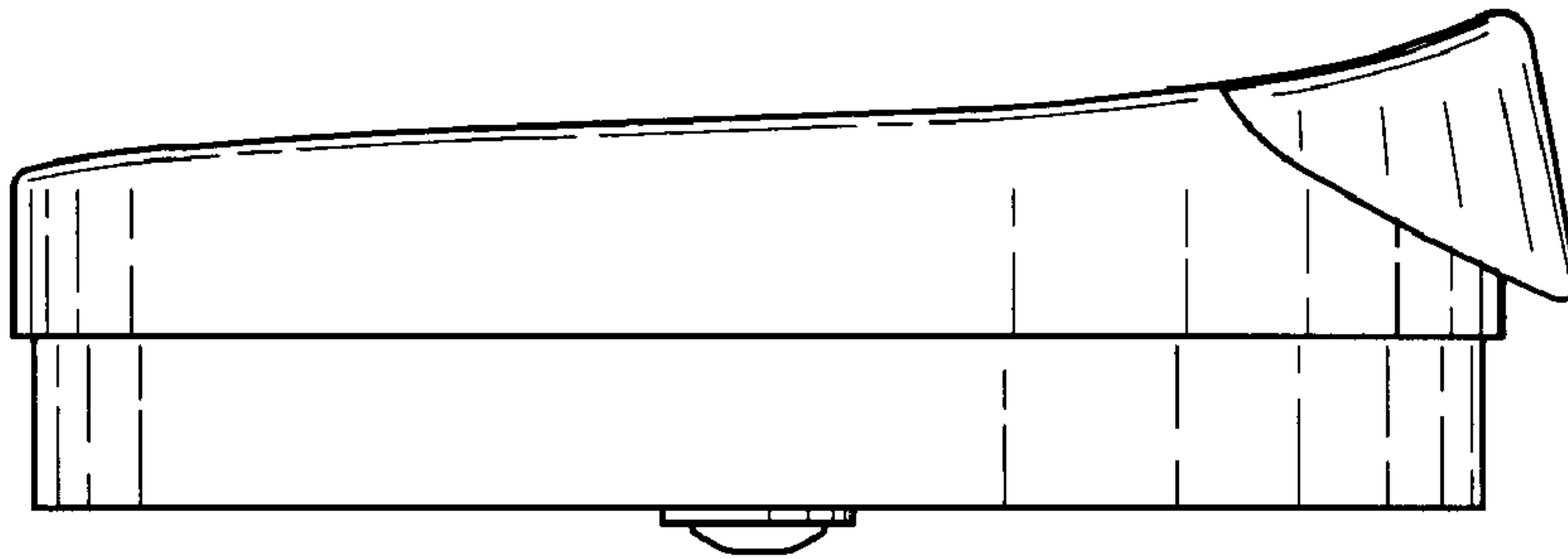


Fig. 4

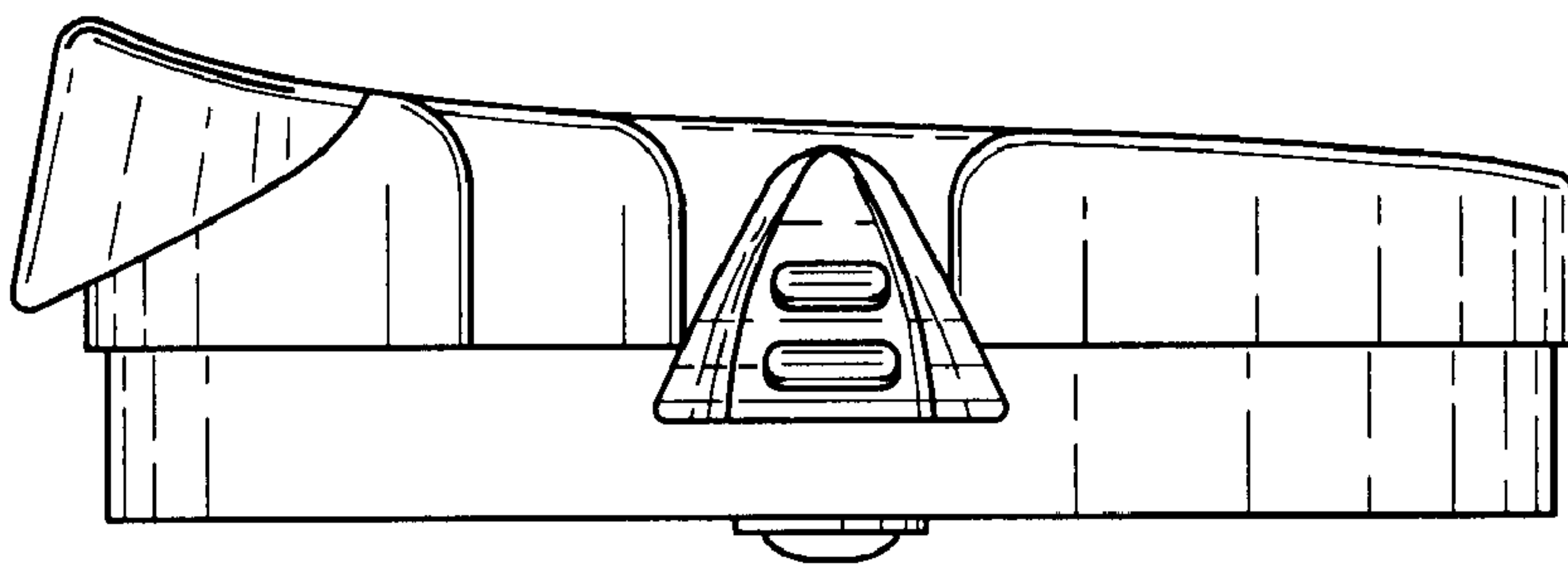


Fig. 5

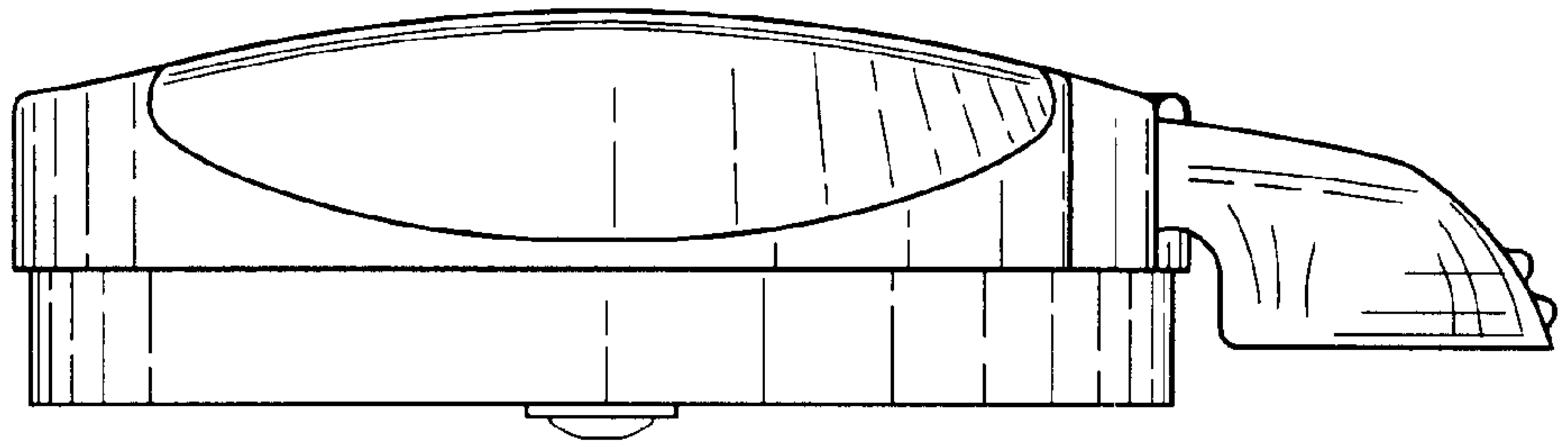


Fig. 6

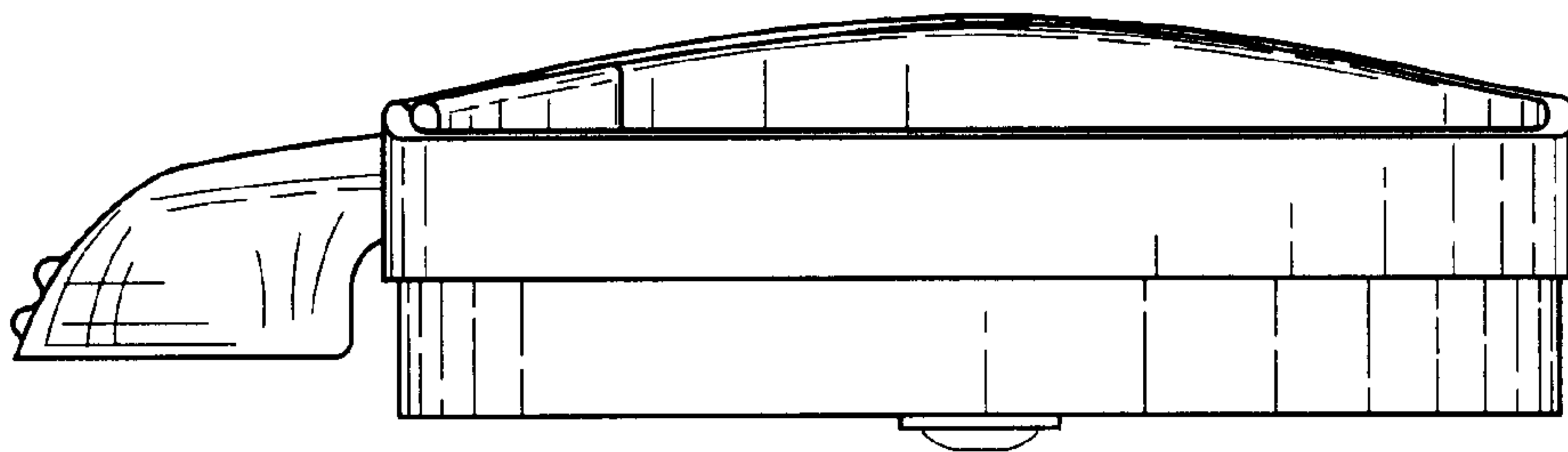


Fig. 7