



US00D463206S

(12) **United States Design Patent** (10) **Patent No.:** **US D463,206 S**  
**Rae** (45) **Date of Patent:** **\*\* Sep. 24, 2002**

(54) **LID**

(76) **Inventor:** **Bob Rae**, 382 Kwun Tong Road, Kwun Tong, Kowloon (HK)

(\*\*) **Term:** **14 Years**

(21) **Appl. No.:** **29/147,500**

(22) **Filed:** **Aug. 30, 2001**

(51) **LOC (7) Cl.** ..... **07-02**

(52) **U.S. Cl.** ..... **D7/391**

(58) **Field of Search** ..... D7/323, 354-361, D7/391; 220/573.1, 200, 203.04, 376, 912

(56) **References Cited**

**U.S. PATENT DOCUMENTS**

D181,798 S	12/1957	Krause	.....	D7/391
D183,302 S	8/1958	Dumbeck	.....	D7/391
D228,864 S	* 10/1973	Beckman	.....	D7/391
D256,085 S	7/1980	Tuggy	.....	D7/391
D305,493 S	1/1990	Ryser	.....	D7/391
D370,826 S	6/1996	Thurlow	.....	D7/360
D384,241 S	* 9/1997	Brasset	.....	D7/391
D385,152 S	* 10/1997	Rae	.....	D7/391
D398,811 S	* 9/1998	Montgelard	.....	D7/391
D414,651 S	* 10/1999	Brunianyn	.....	D7/391

\* cited by examiner

*Primary Examiner*—Caron D. Veynar  
(74) *Attorney, Agent, or Firm*—Wood, Herron & Evans, L.L.P.

(57) **CLAIM**

The ornamental design for a “lid”, as shown and described.

**DESCRIPTION**

FIG. 1 is a front elevational view of a lid incorporating the design of my new invention, the rear elevational view being a mirror image thereof;

FIG. 2 is a left side elevational view thereof, with the right side being a mirror image thereof;

FIG. 3 is a top plan view thereof;

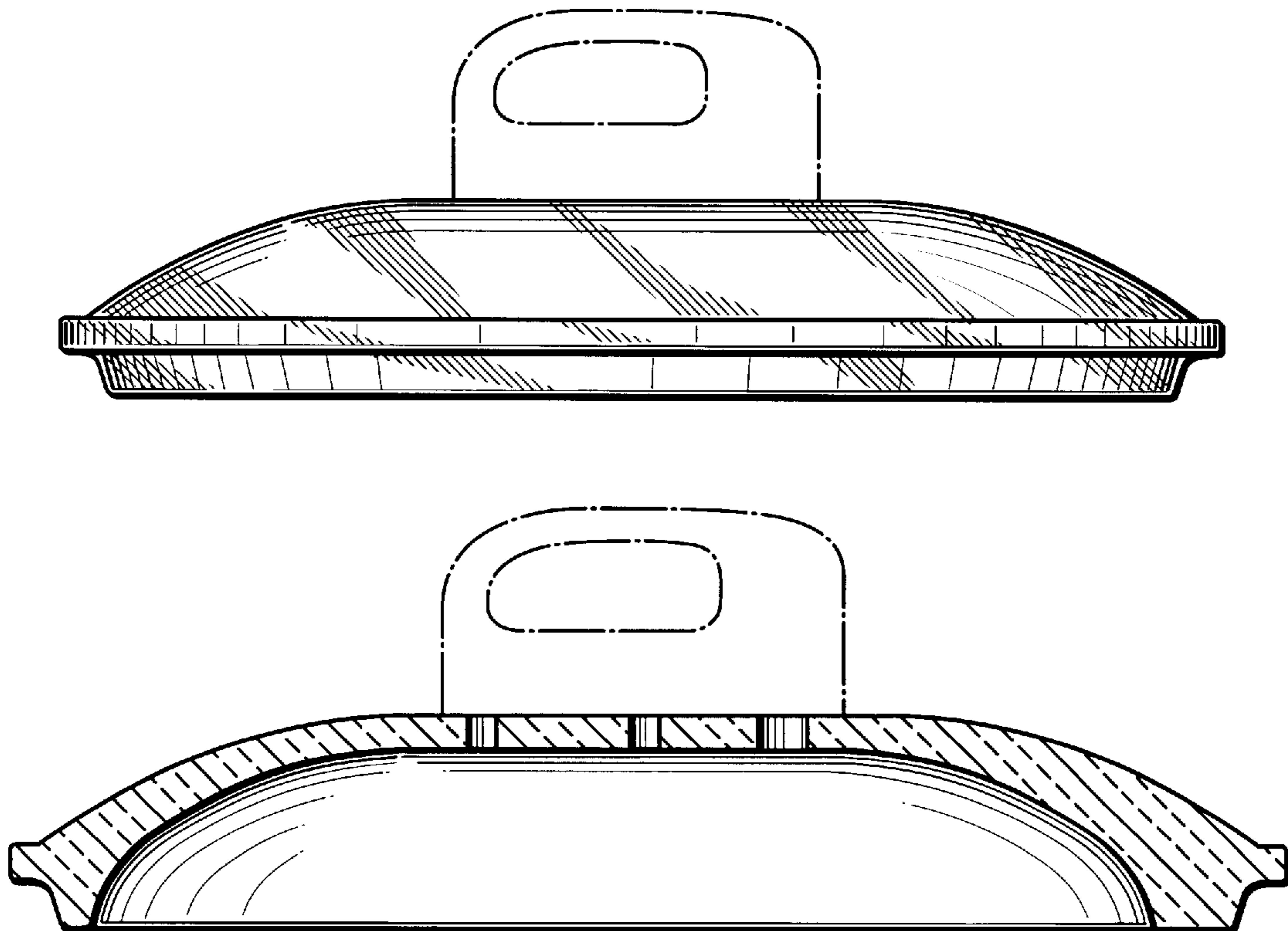
FIG. 4 is a bottom plan view thereof;

FIG. 5 is a perspective view of the bottom and front of the lid; and,

FIG. 6 is a cross-sectional view thereof taken along line 6—6 of FIG. 3.

The handle attached to the lid, shown in broken lines, is for illustrative purposes only and forms no part of the claimed design.

**1 Claim, 3 Drawing Sheets**



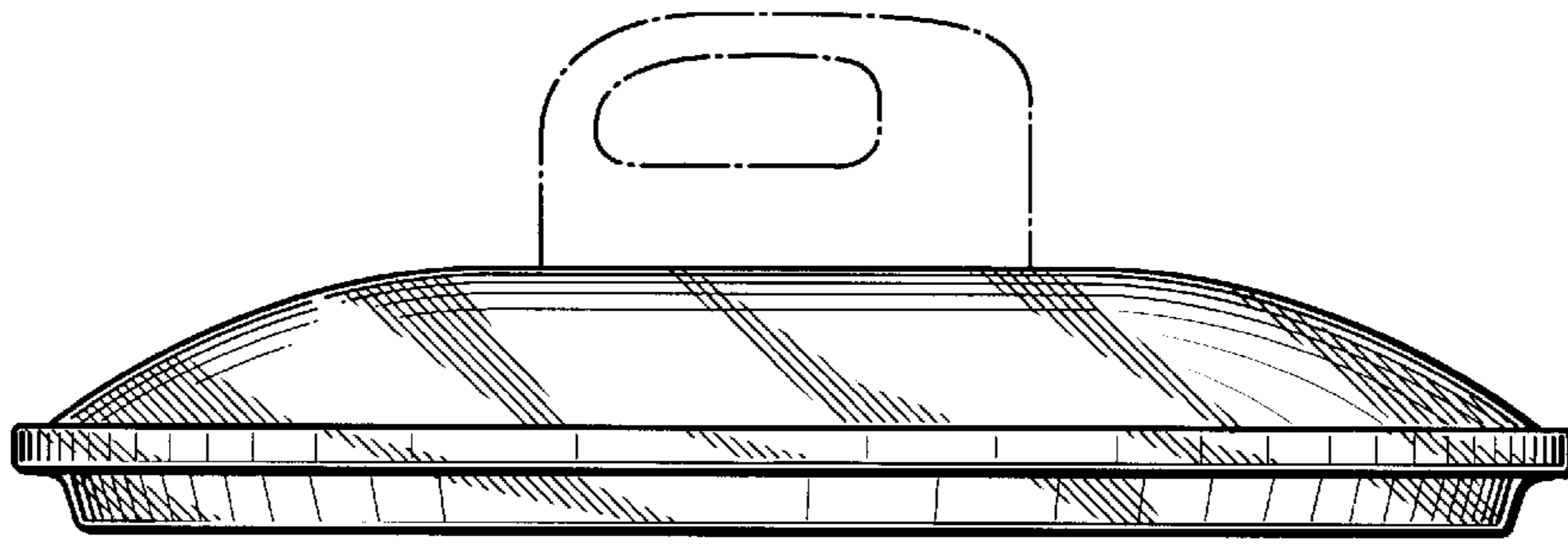


FIG. 1

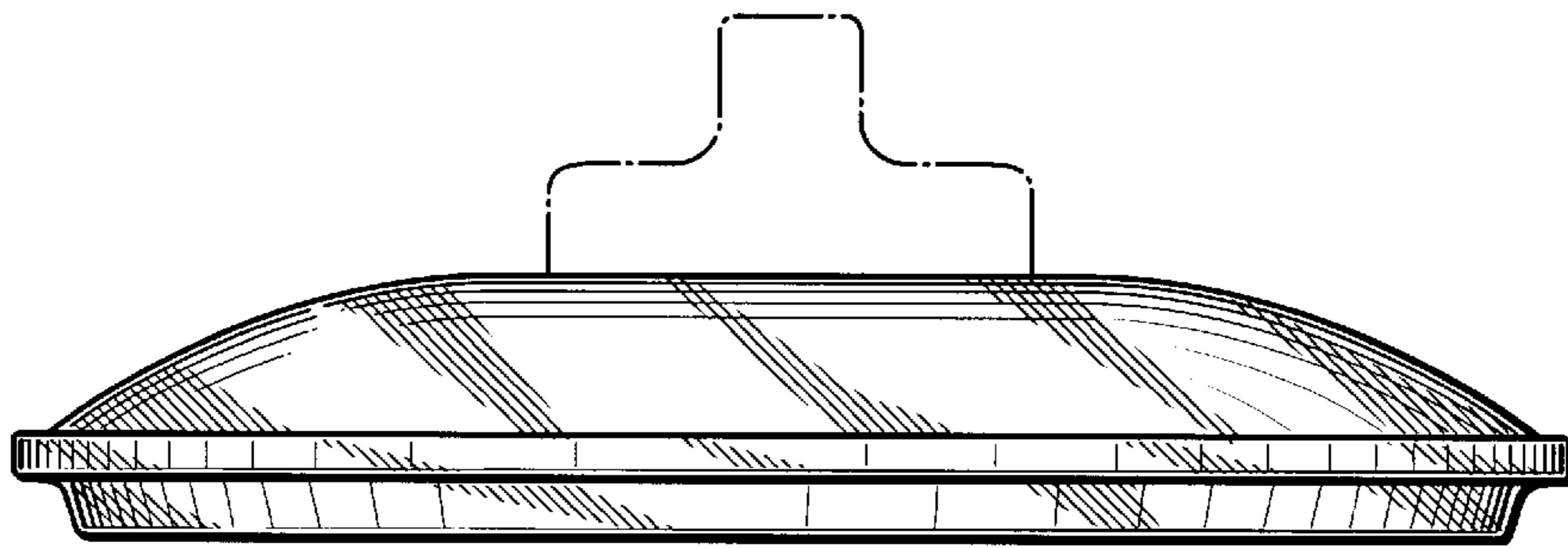


FIG. 2

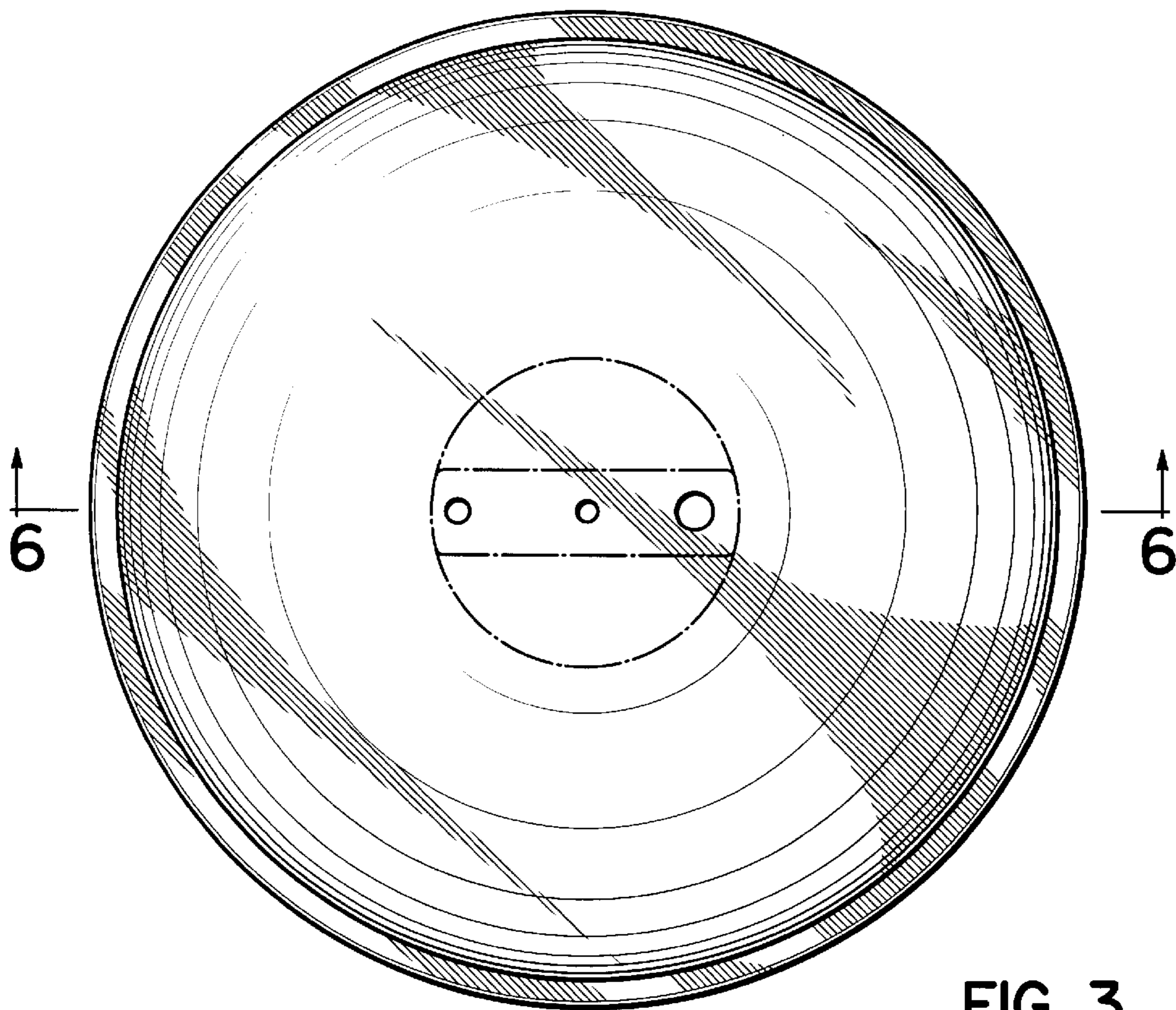


FIG. 3

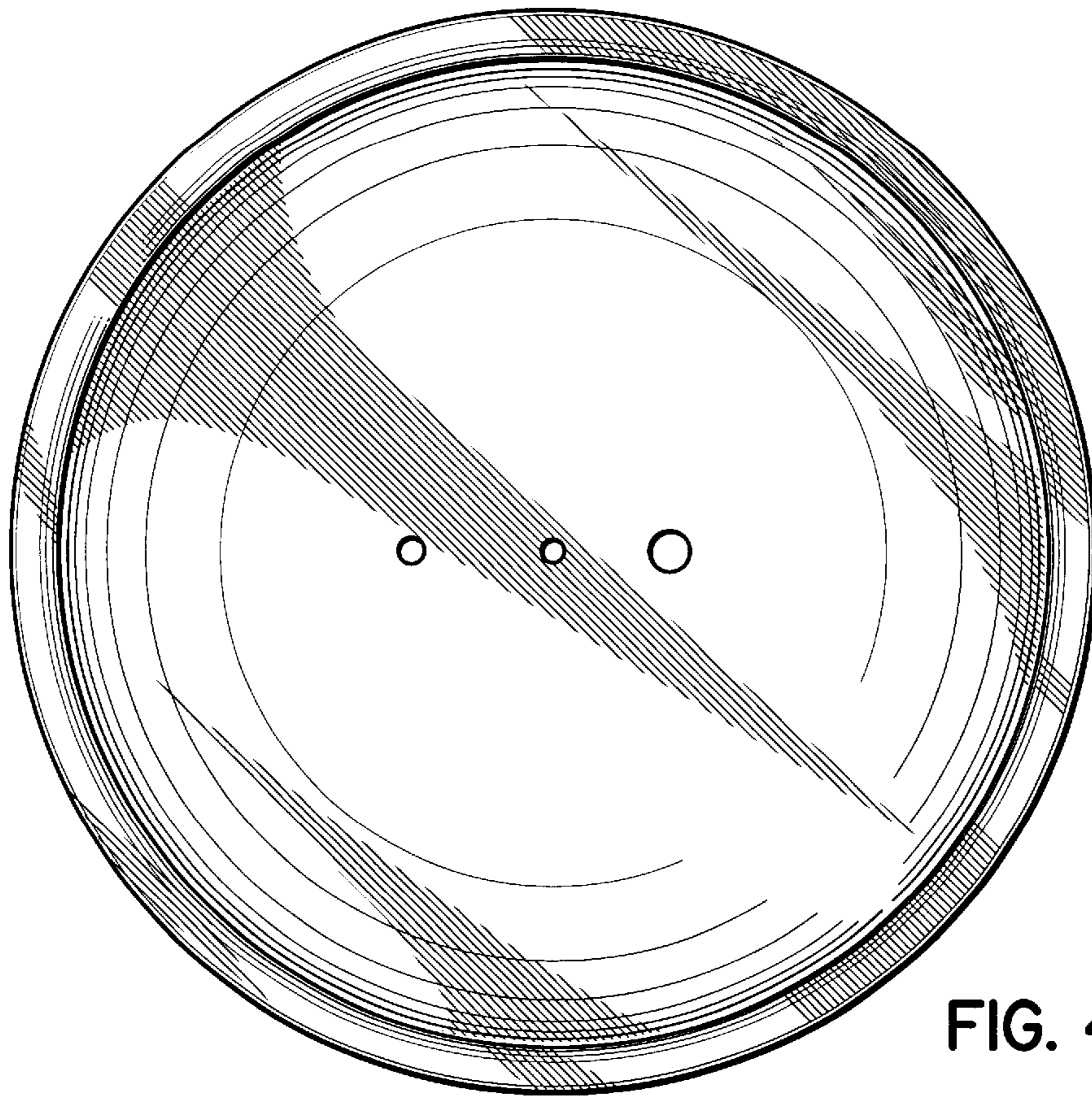


FIG. 4

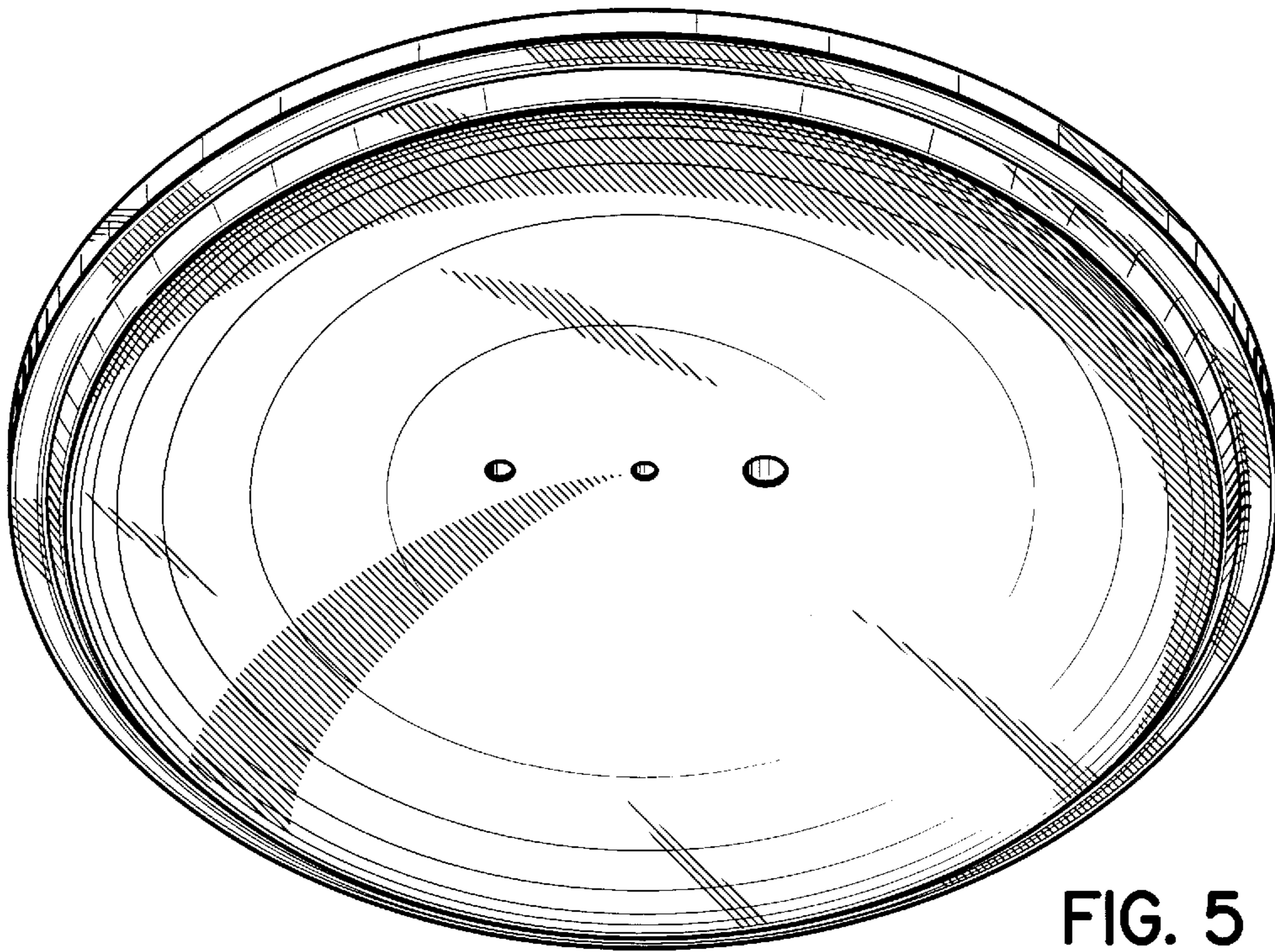


FIG. 5

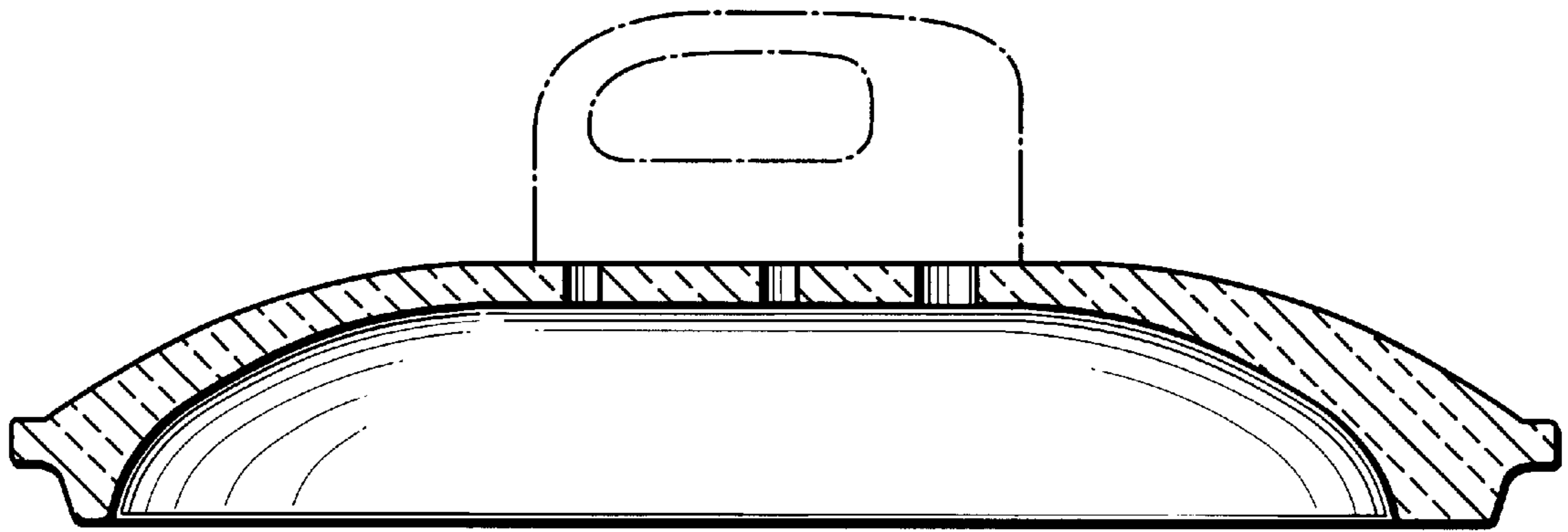


FIG. 6