

US00D463205S

(12) **United States Design Patent**
Schlichting

(10) **Patent No.:** **US D463,205 S**

(45) **Date of Patent:** **** Sep. 24, 2002**

(54) **COMBINED MEAT MIXER AND GRINDER**

D209,922 S * 1/1968 Golding
4,736,896 A * 4/1988 Wagner

(76) Inventor: **Dean A. Schlichting**, 433 Cove Harbor
East, Holland, OH (US) 43528

* cited by examiner

(**) Term: **14 Years**

Primary Examiner—B. J. Bullock
(74) *Attorney, Agent, or Firm*—Gifford, Krass, Groh,
Sprinkle, Anderson & Citkowski, P.C.

(21) Appl. No.: **29/133,587**

(22) Filed: **Nov. 30, 2000**

(57) **CLAIM**

(51) **LOC (7) Cl.** **31-00**

The ornamental design for a combined meat mixer and
grinder, as shown and described.

(52) **U.S. Cl.** **D7/376; D7/372**

(58) **Field of Search** 87/372, 373, 384,
87/376, 665; 241/37.5, 82.1, 101.2

DESCRIPTION

(56) **References Cited**

U.S. PATENT DOCUMENTS

- 1,951,826 A * 3/1934 Foster
- D165,059 S * 11/1951 Doering et al.
- D196,811 S * 11/1963 Lasar
- 3,266,542 A * 8/1966 Paoli
- 3,310,086 A * 3/1967 Lasar

FIG. 1 is a perspective view from the front and left end of
the embodying the new design;
FIG. 2 is a plan view of the top of the machine;
FIG. 3 is an elevational view of the front of the machine;
FIG. 4 is an elevational view of the left end of the machine;
and,
FIG. 5 is an elevation of the right end of the machine.

1 Claim, 3 Drawing Sheets

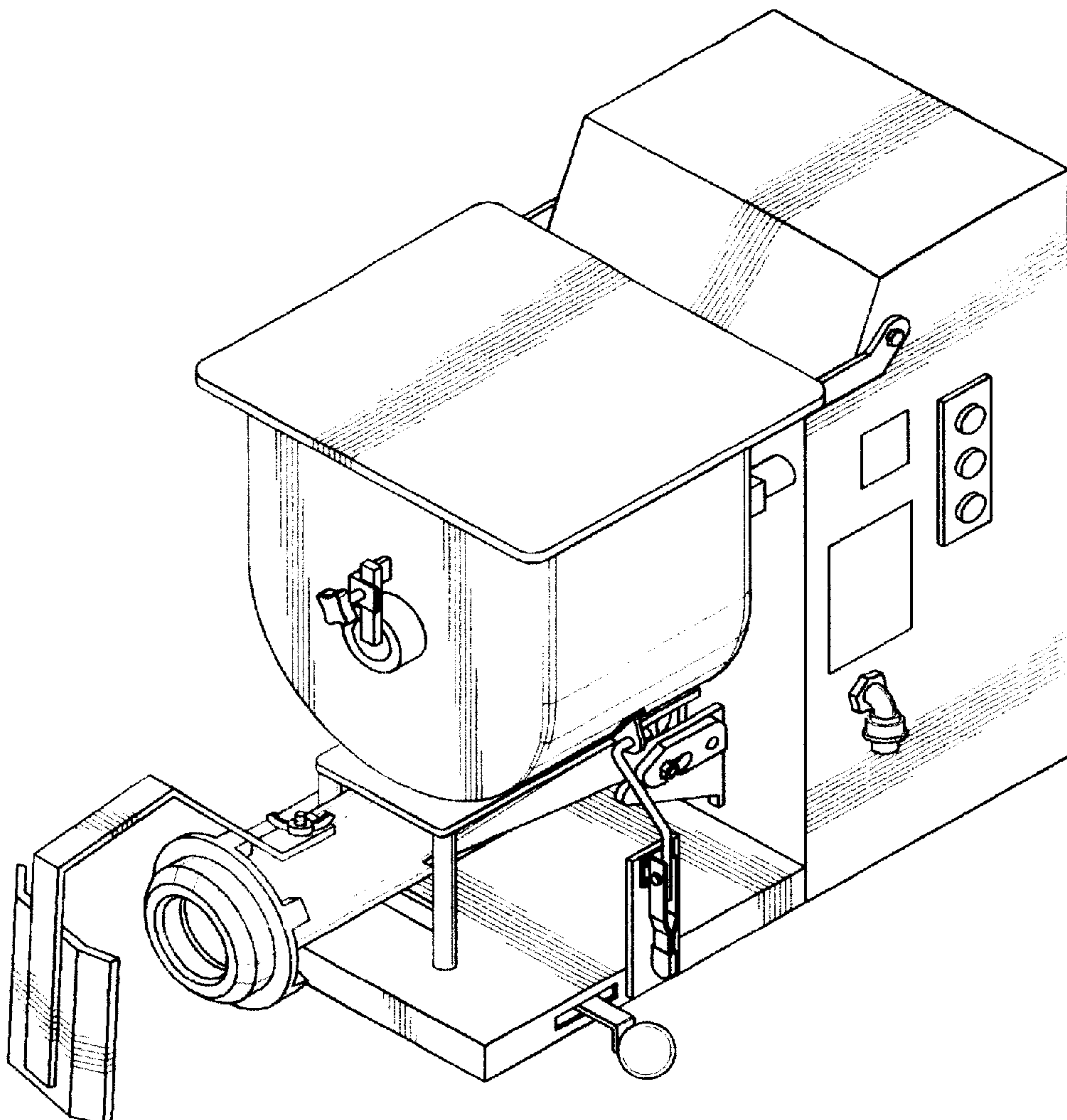


Fig-1

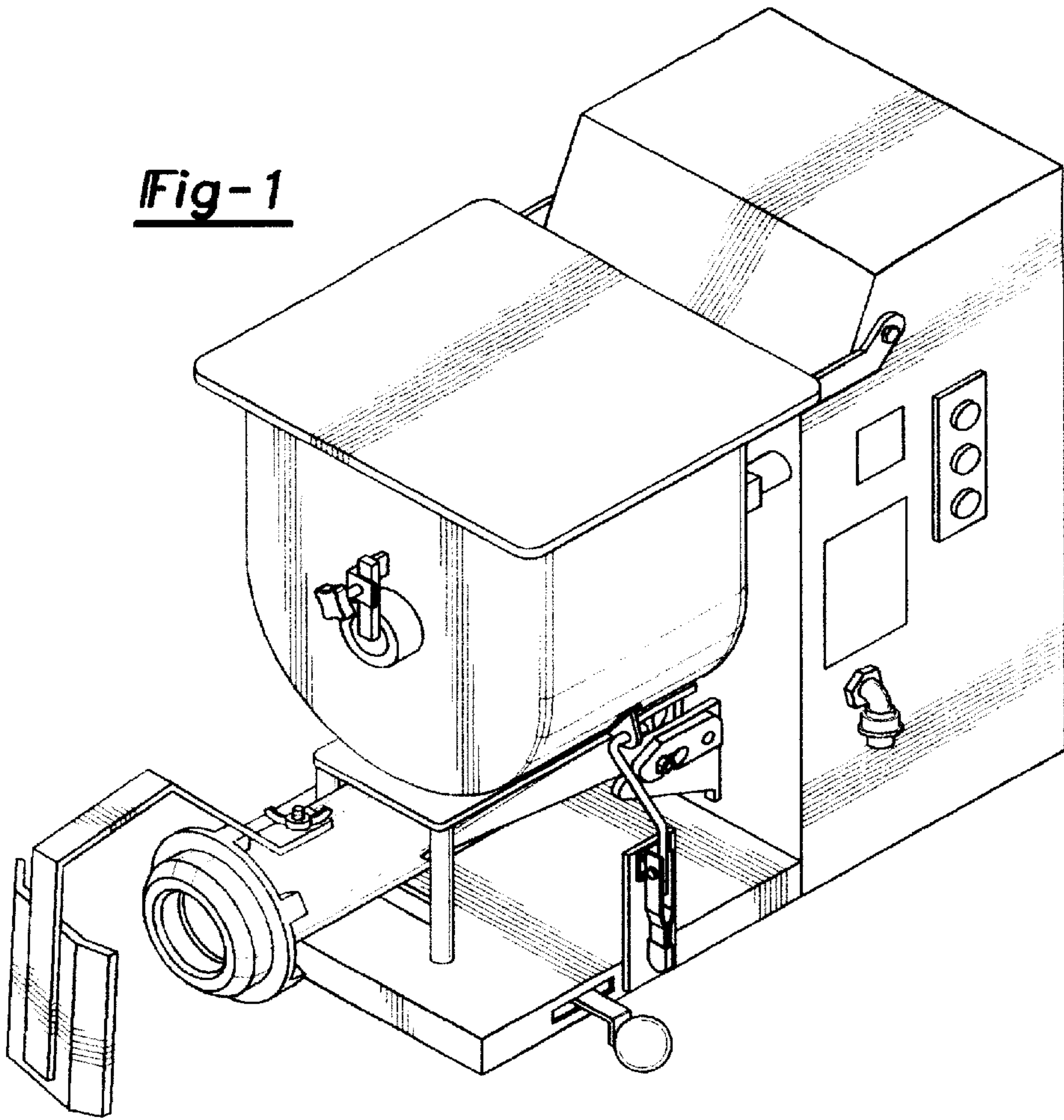
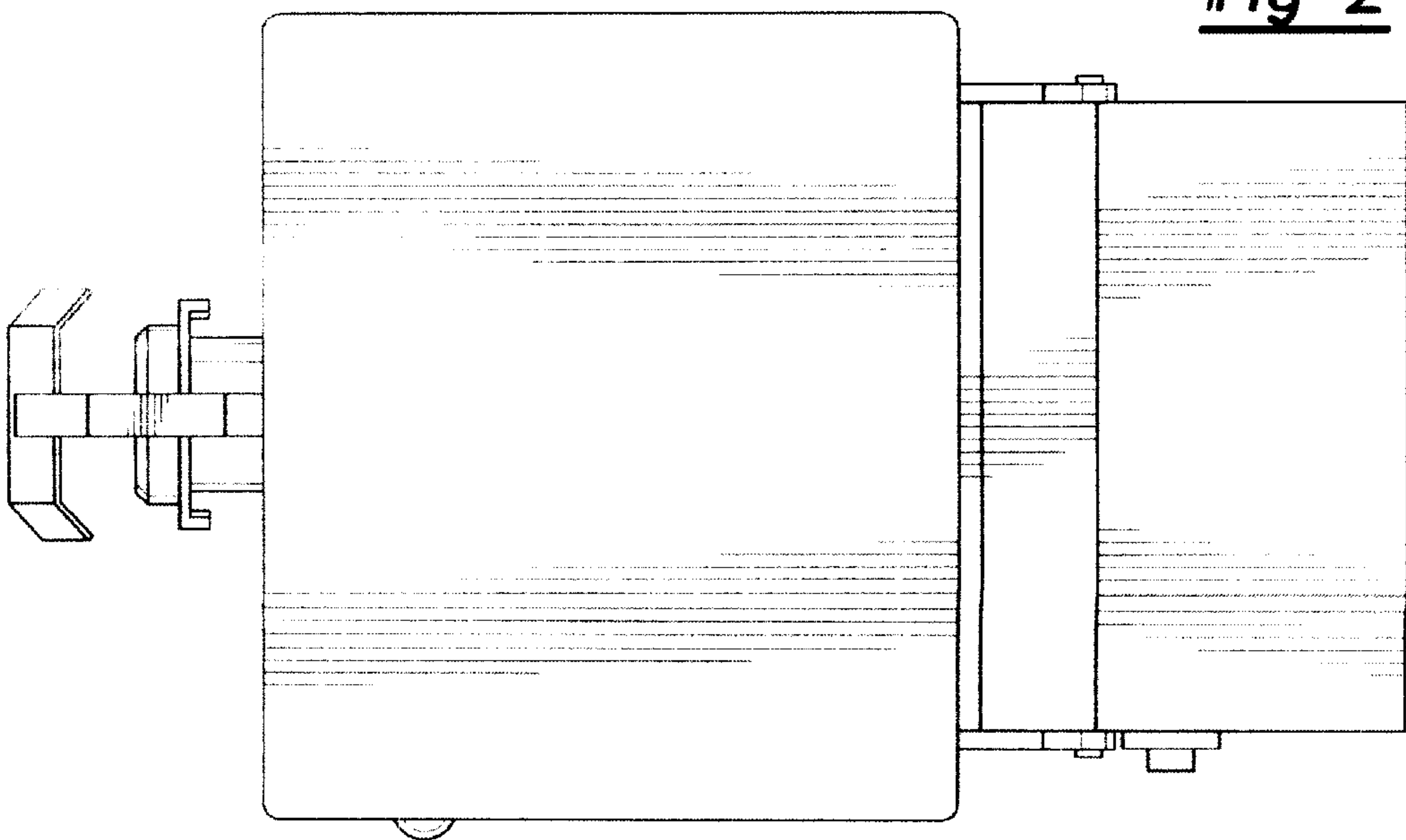


Fig-2



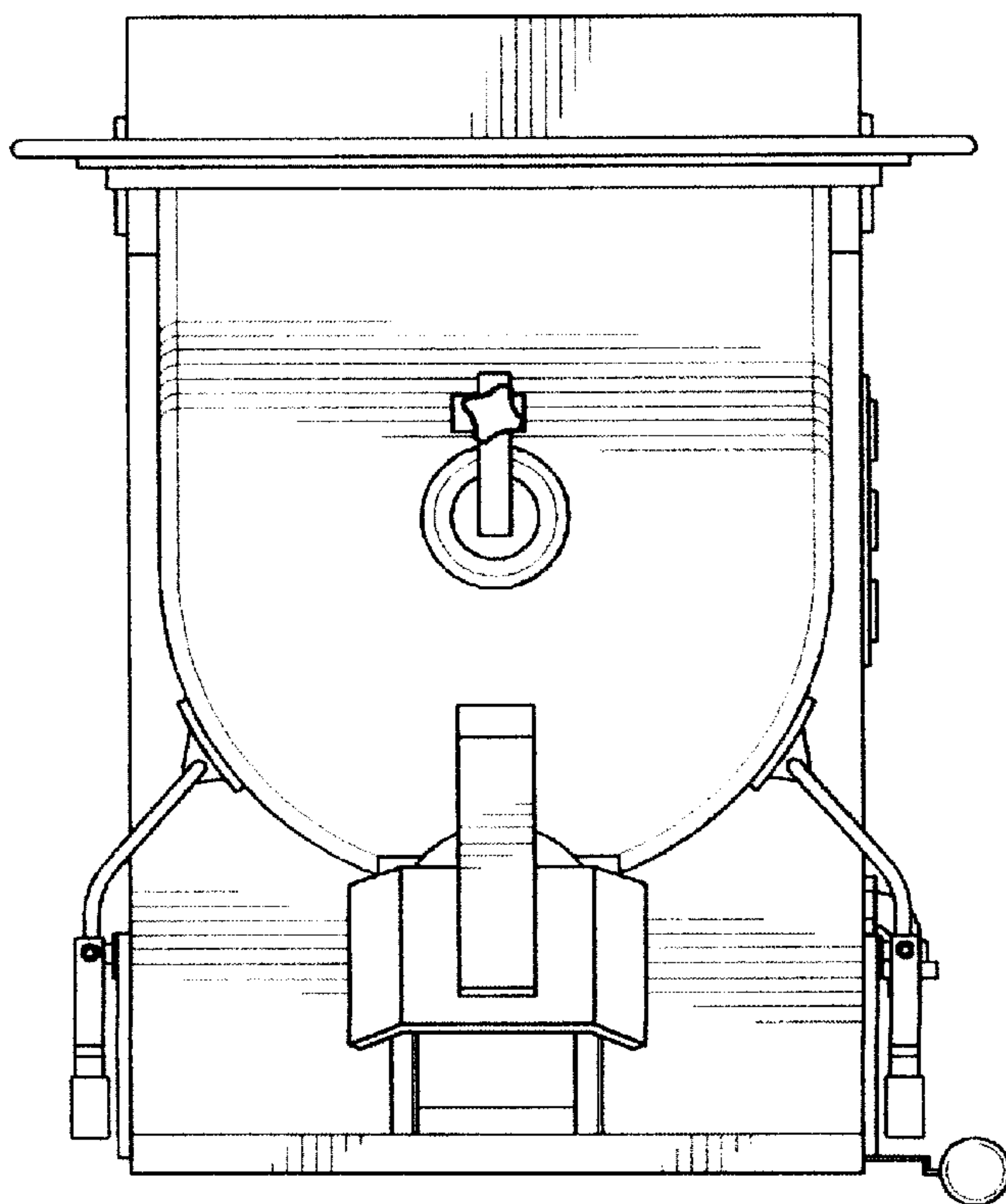
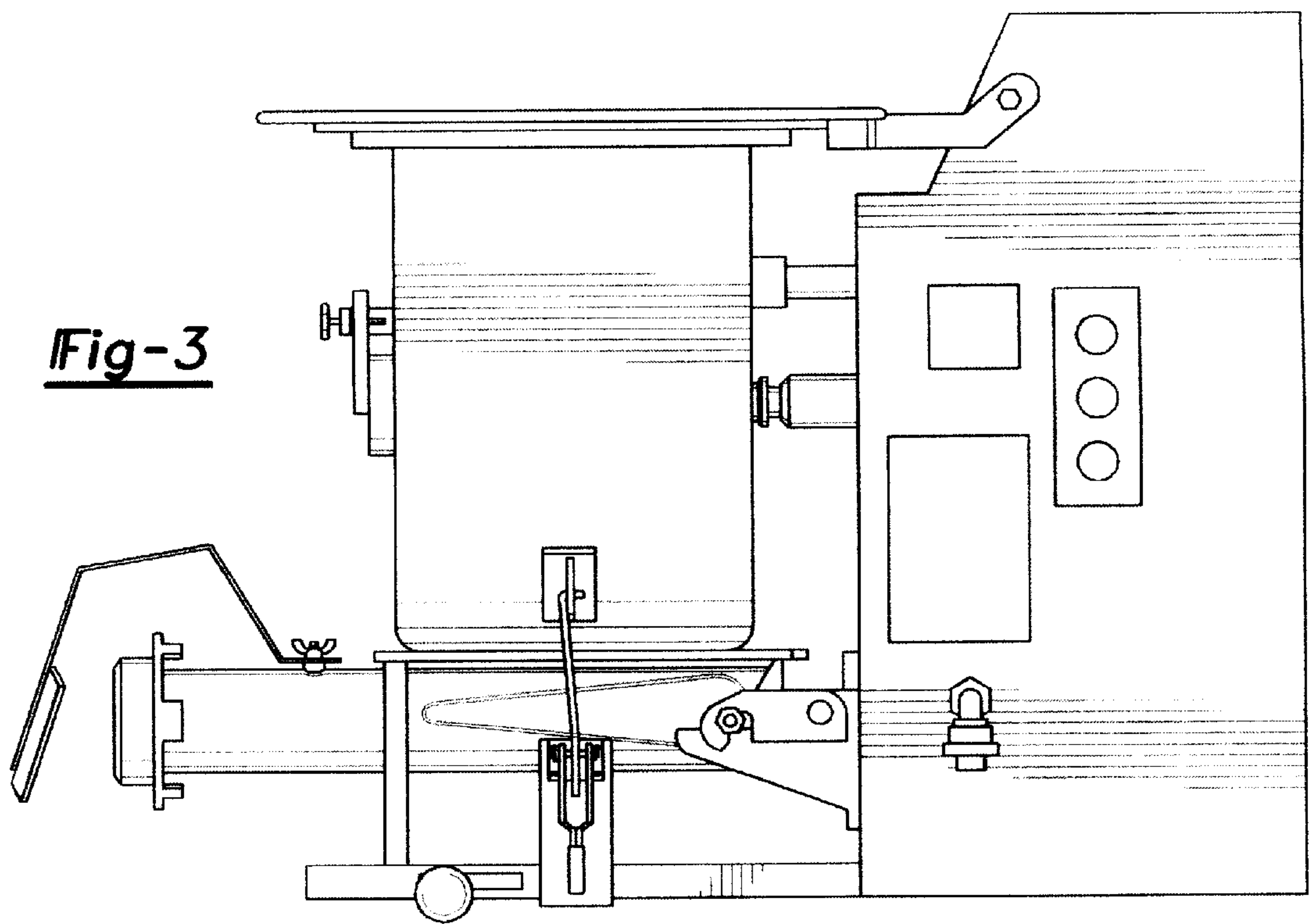


Fig-4

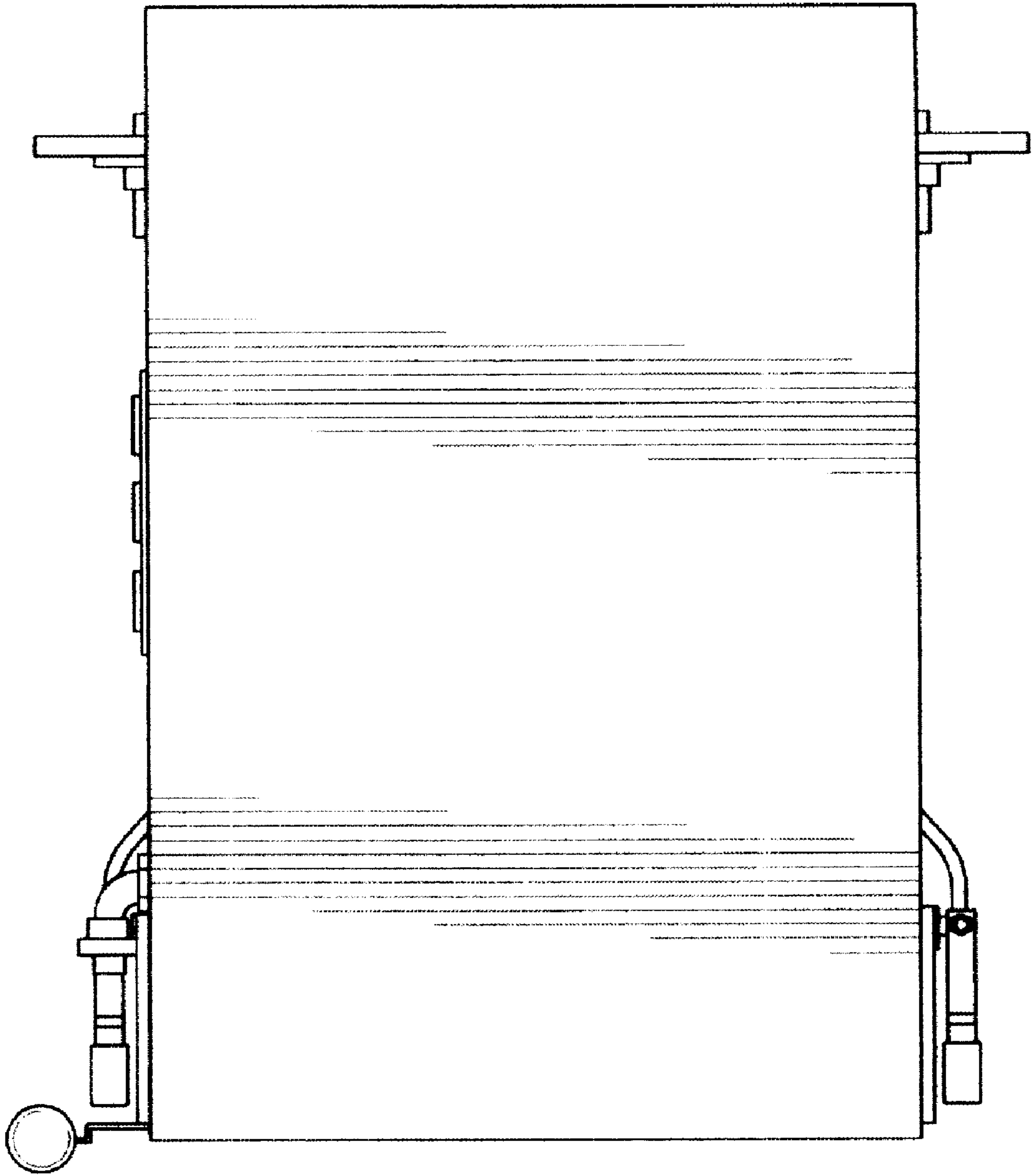


Fig-5