



US00D463203S

(12) **United States Design Patent**  
**Commodore**

(10) **Patent No.:** **US D463,203 S**

(45) **Date of Patent:** **\*\* Sep. 24, 2002**

(54) **BATTERY OPERATED FRY PAN**

(76) **Inventor:** **Mary J Commodore**, 6417 Hil Mar Dr.  
#302, Forestville, MD (US) 20747

(\*\*) **Term:** **14 Years**

(21) **Appl. No.:** **29/151,418**

(22) **Filed:** **Dec. 7, 2001**

(51) **LOC (7) Cl.** ..... **07-02**

(52) **U.S. Cl.** ..... **D7/361**

(58) **Field of Search** ..... D7/354-361; 219/429,  
219/441-445.1, 620-624; 99/324-328,  
339

(56) **References Cited**

**U.S. PATENT DOCUMENTS**

|           |   |   |         |               |       |         |
|-----------|---|---|---------|---------------|-------|---------|
| 2,830,166 | A | * | 4/1958  | Loomis        | ..... | 219/441 |
| 2,872,561 | A | * | 2/1959  | Humphrey      | ..... | 219/441 |
| D194,336  | S | * | 1/1963  | Cornwell      | ..... | D7/352  |
| 3,931,494 | A |   | 1/1976  | Fisher et al. |       |         |
| D247,539  | S | * | 3/1978  | Mizoguchi     | ..... | D7/352  |
| D249,446  | S | * | 9/1978  | Madl et al.   | ..... | D7/352  |
| D271,556  | S | * | 11/1983 | Bowen et al.  | ..... | D7/352  |
| 4,617,441 | A |   | 10/1986 | Koide et al.  |       |         |

|           |   |   |         |                |       |        |
|-----------|---|---|---------|----------------|-------|--------|
| 4,827,107 | A |   | 5/1989  | Peery          |       |        |
| D324,467  | S | * | 3/1992  | Todd, Jr.      | ..... | D7/361 |
| 5,250,775 | A |   | 10/1993 | Maehara et al. |       |        |
| 5,477,777 | A |   | 12/1995 | Oppermann      |       |        |
| D391,803  | S |   | 3/1998  | Hicks          |       |        |

\* cited by examiner

*Primary Examiner*—Caron D. Veynar

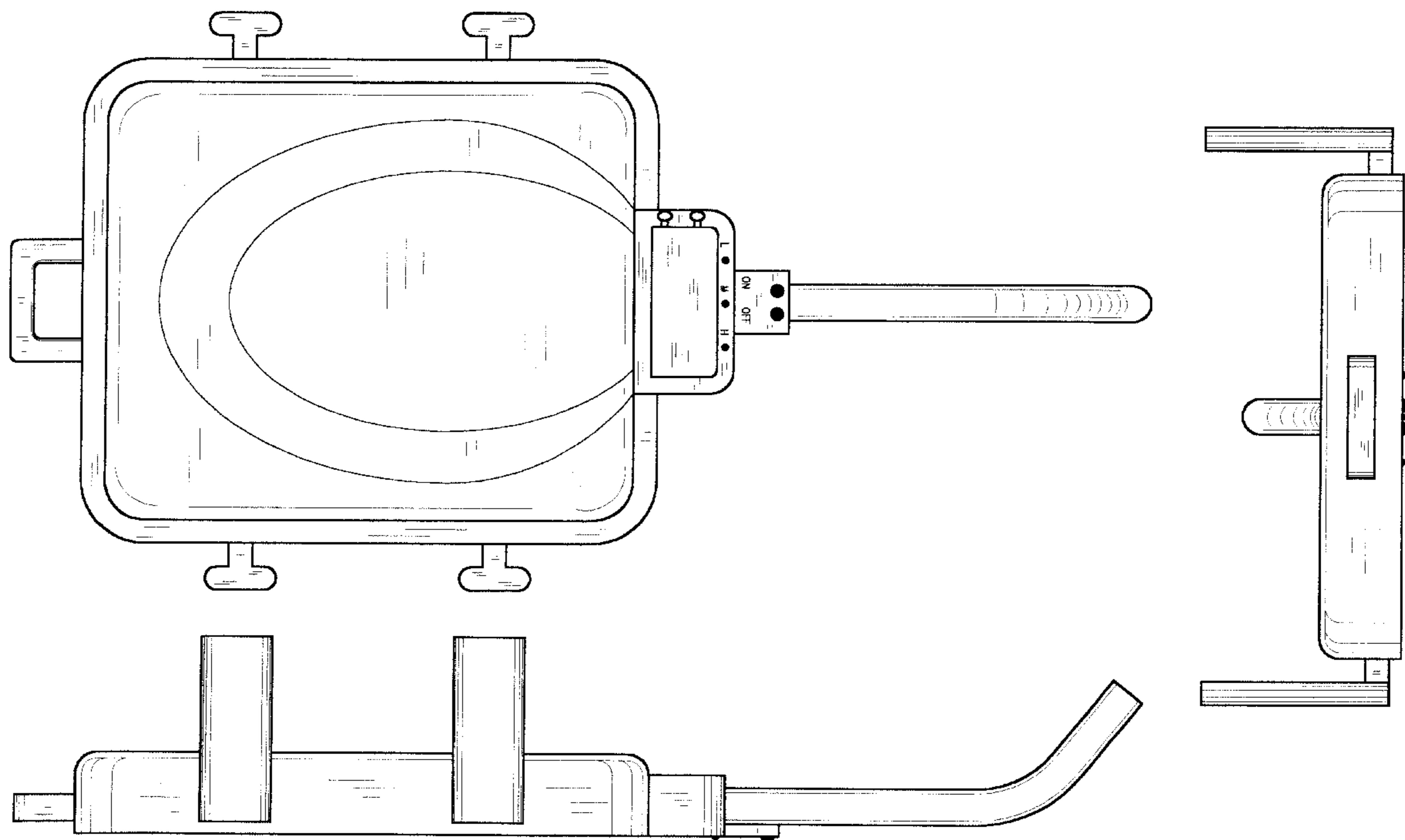
(57) **CLAIM**

The ornamental design for a battery operated fry pan, as shown and described.

**DESCRIPTION**

FIG. 1 is a front elevational view of the battery operated fry pan of the present invention;  
 FIG. 2 is a rear elevational view of the battery operated fry pan of FIG. 1;  
 FIG. 3 is a left side elevational view of the battery operated fry pan of FIG. 1;  
 FIG. 4 is a right side elevational view of the battery operated fry pan of FIG. 1; and,  
 FIG. 5 is a top plan view of the battery operated fry pan of FIG. 1, the bottom view being a mirror image thereof.

**1 Claim, 4 Drawing Sheets**



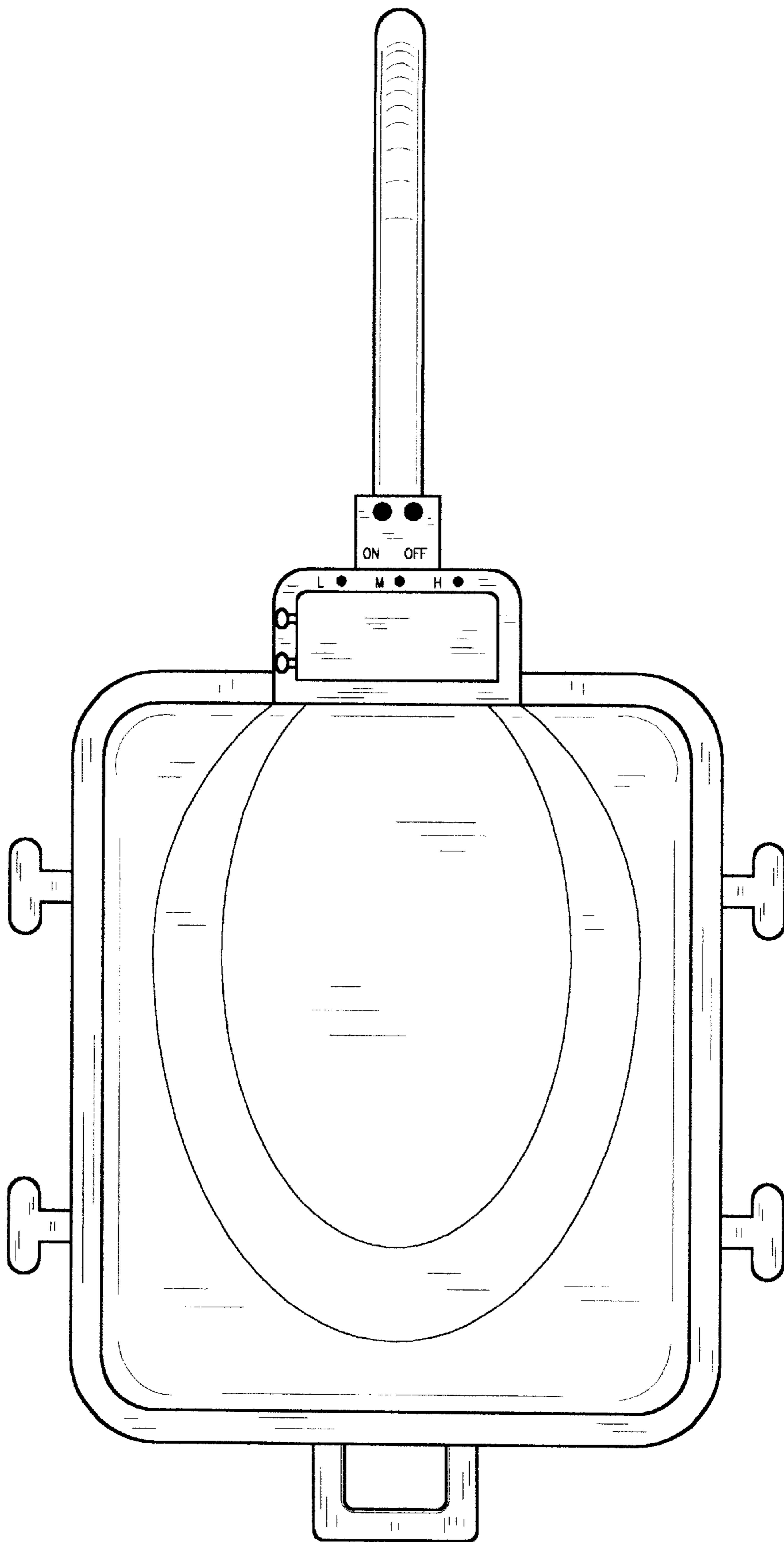


FIG. 1

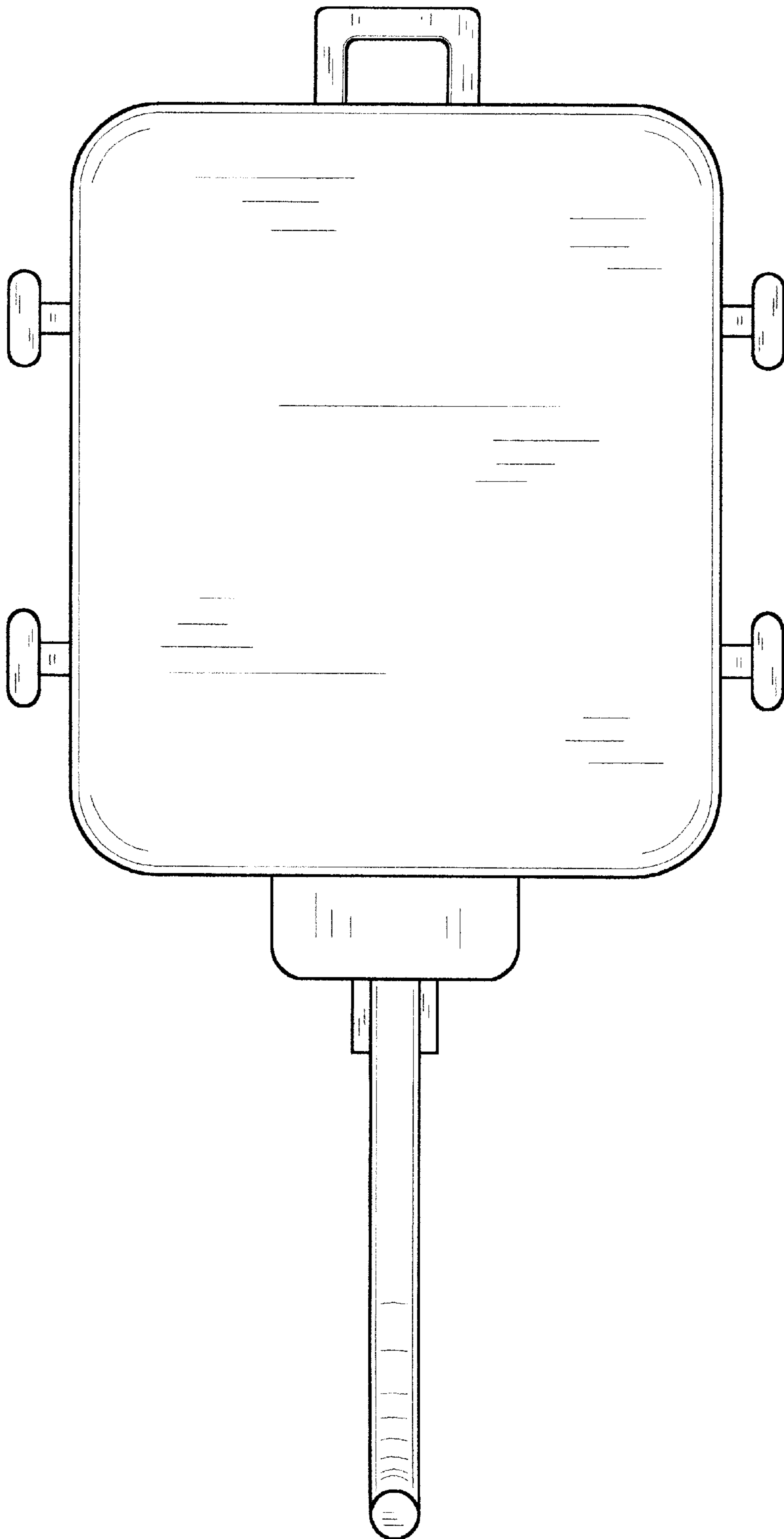


FIG. 2

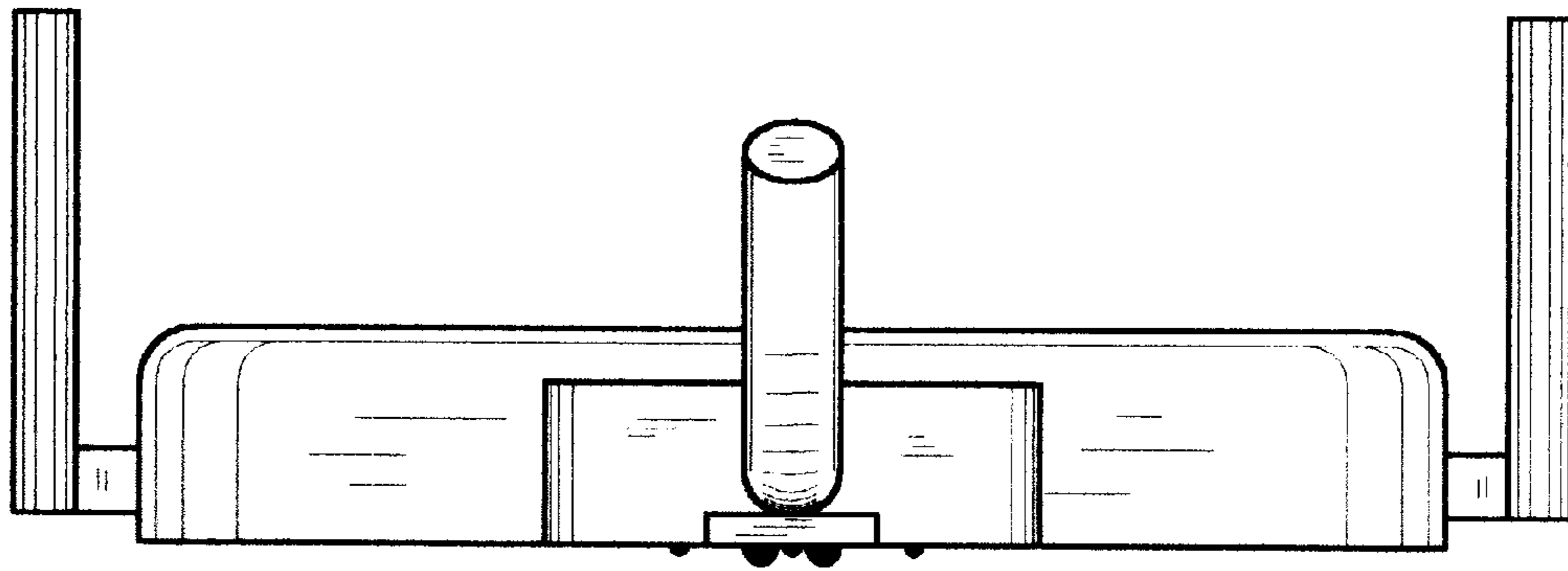


FIG. 3

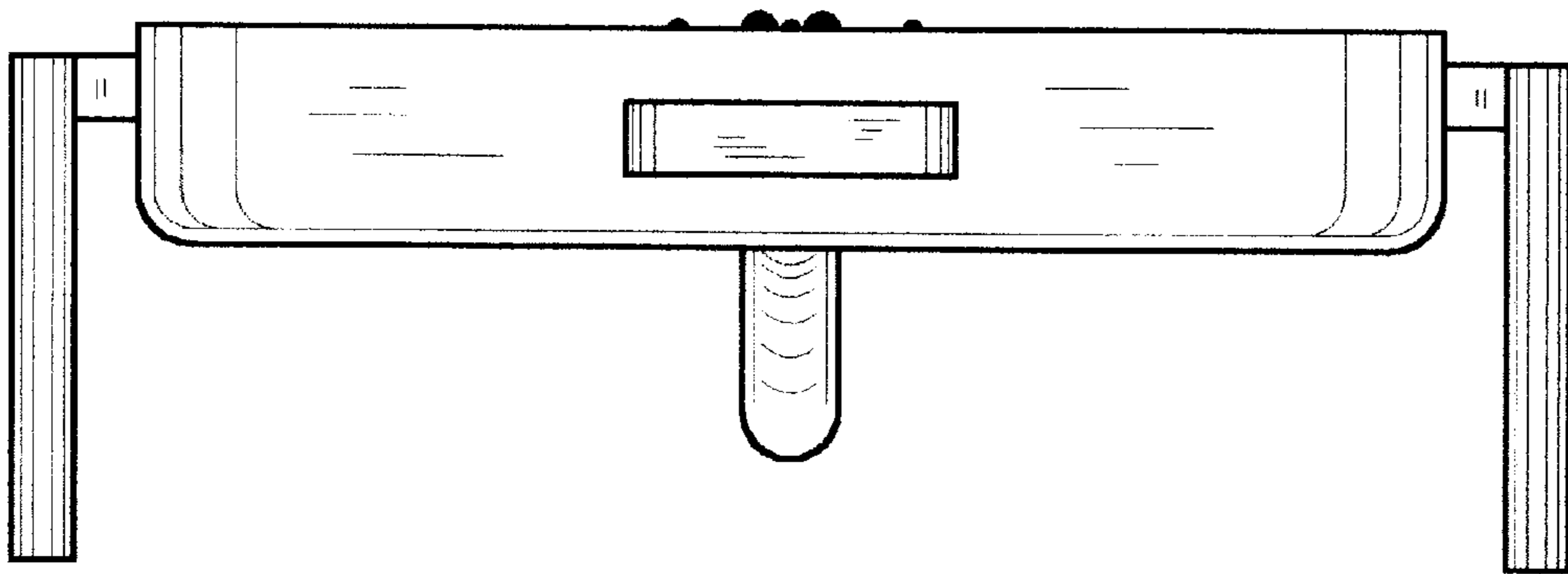


FIG. 4

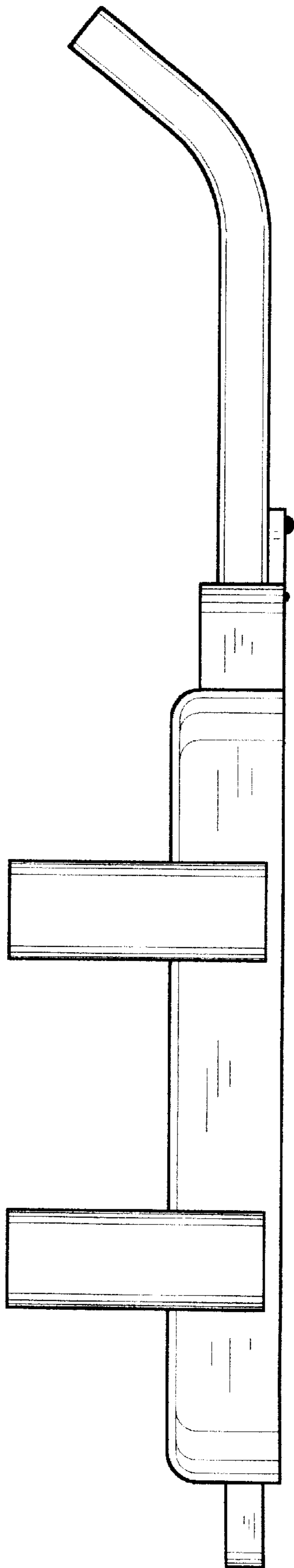


FIG. 5