



US00D463202S

(12) **United States Design Patent**
Smith

(10) **Patent No.:** **US D463,202 S**

(45) **Date of Patent:** **** Sep. 24, 2002**

(54) **GRILLING PAN FOR BARBECUE**

(76) **Inventor:** **Michael A. Smith**, 4684 County Rd. E.,
Orland, CA (US) 95963

(**) **Term:** **14 Years**

(21) **Appl. No.:** **29/147,066**

(22) **Filed:** **Aug. 21, 2001**

(51) **LOC (7) Cl.** **07-02**

(52) **U.S. Cl.** **D7/359**

(58) **Field of Search** D7/323, 354-361,
D7/549, 409; 99/425, 426, 444-447; 126/1 R-29;
220/573.1-573.3

(56) **References Cited**

U.S. PATENT DOCUMENTS

D187,237 S	*	2/1960	Kindelberger	D7/549
D188,501 S	*	8/1960	Wood	D7/359
D257,115 S	*	9/1980	Anderson	D7/359
D268,981 S	*	5/1983	Monson	D7/359
D297,393 S	*	8/1988	Picozza et al.	D7/359
D362,154 S	*	9/1995	Pusateri	D7/359

D363,410 S	*	10/1995	Hazen	D7/359
D365,495 S	*	12/1995	O'Higgins	D7/359
D373,285 S	*	9/1996	Coroama et al.	D7/359
5,884,555 A	*	3/1999	Chang	99/425
D427,009 S	*	6/2000	Iyengar et al.	D7/360

* cited by examiner

Primary Examiner—Caron D. Veynar

(74) *Attorney, Agent, or Firm*—Heisler & Associates

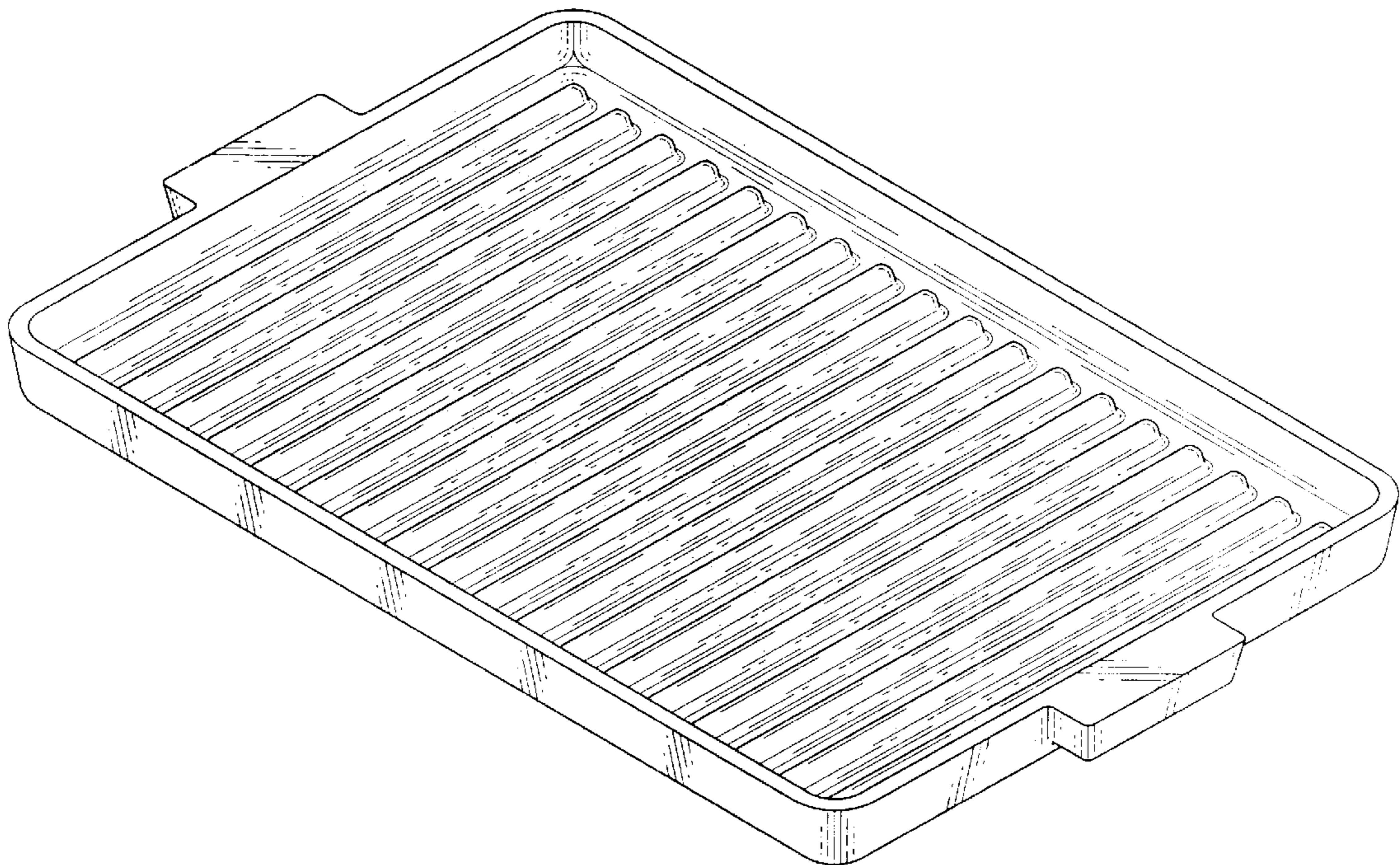
(57) **CLAIM**

The ornamental design for a grilling pan for barbecue, as shown and described.

DESCRIPTION

FIG. 1 is a perspective view of the invention;
FIG. 2 is a top plan view of the invention;
FIG. 3 is a front elevation view of the invention, the rear elevation view being a mirror image;
FIG. 4 is a right side view of the invention, the left side view being a mirror image; and,
FIG. 5 is a bottom plan view of the invention.

1 Claim, 2 Drawing Sheets



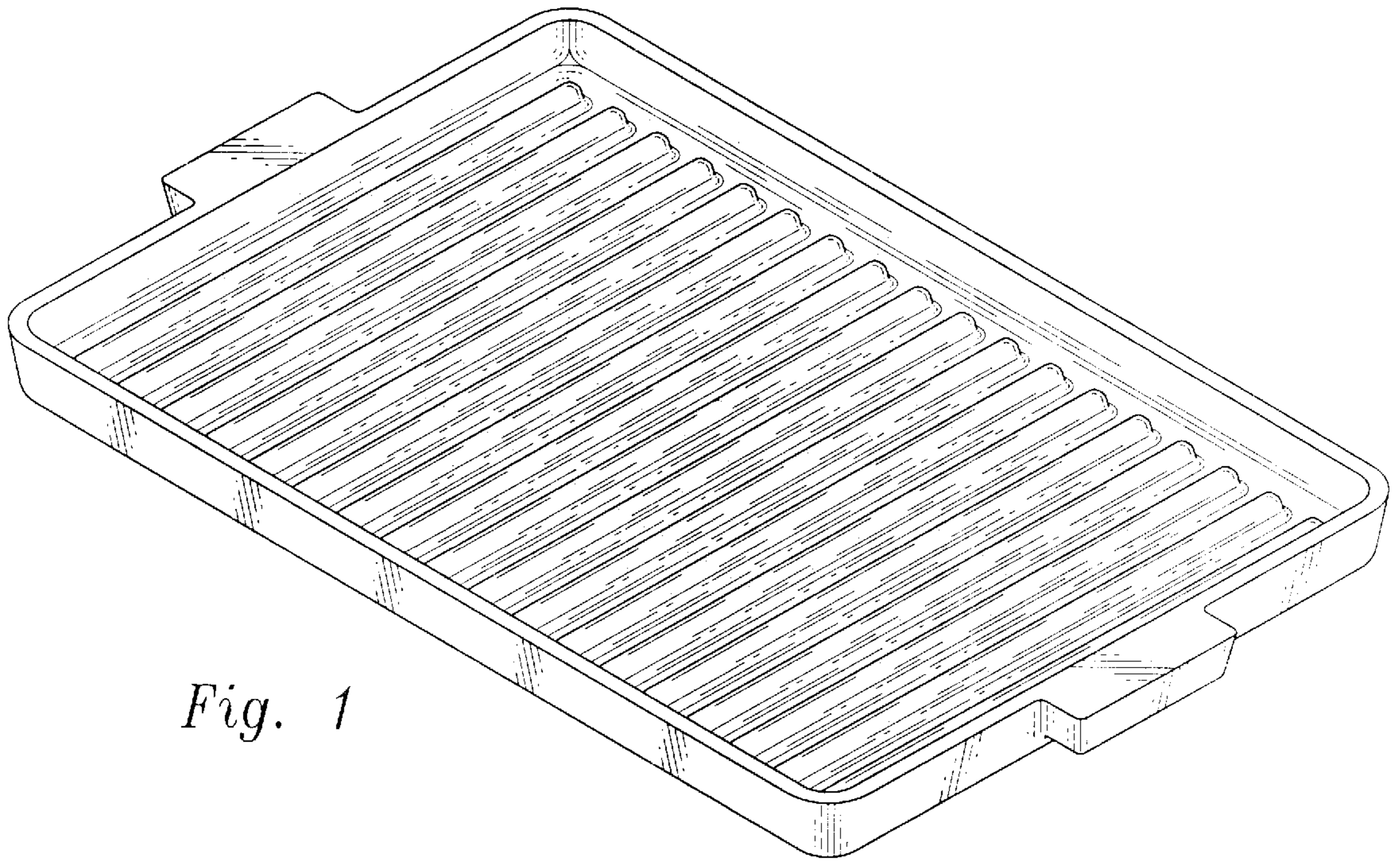


Fig. 1

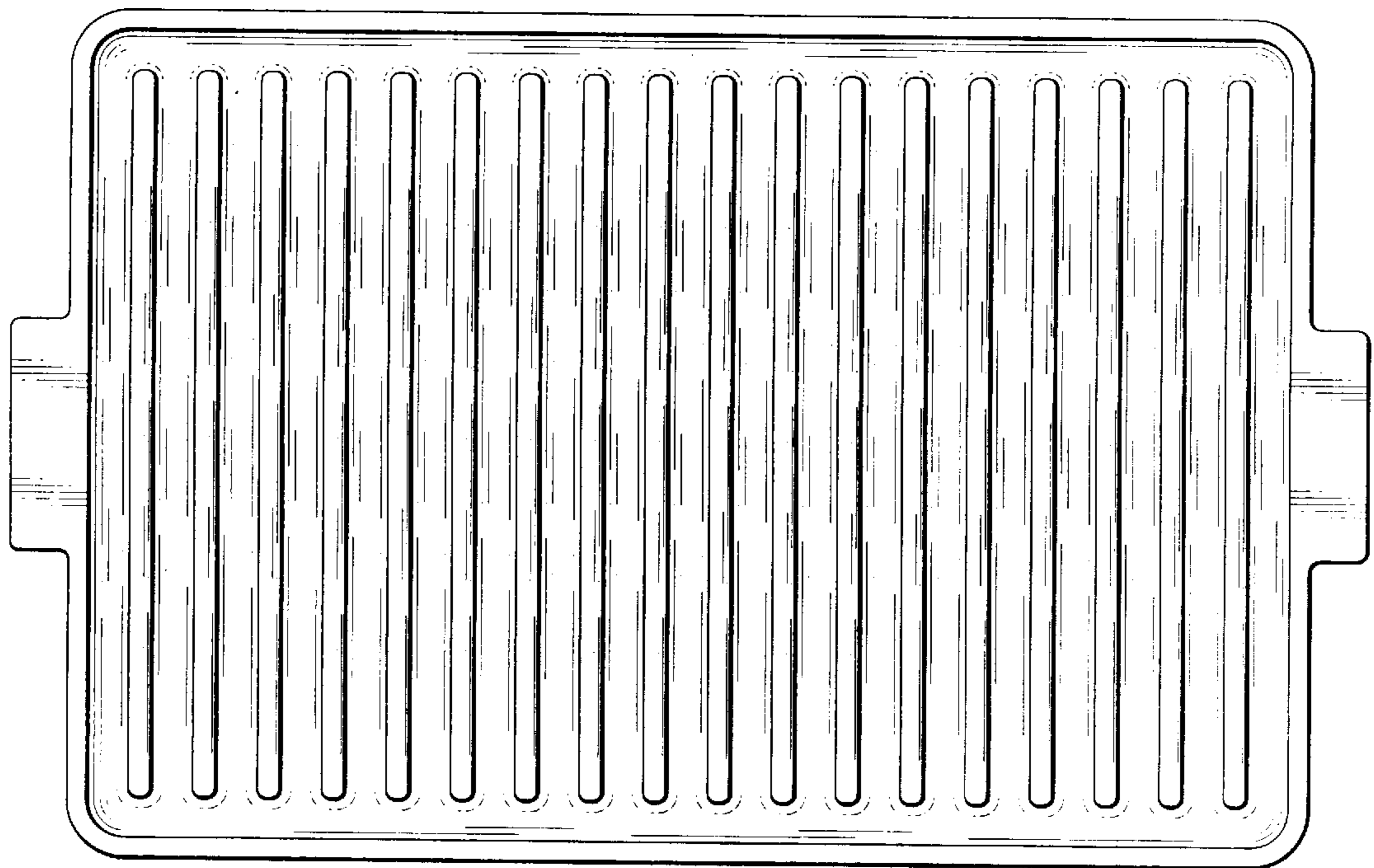


Fig. 2

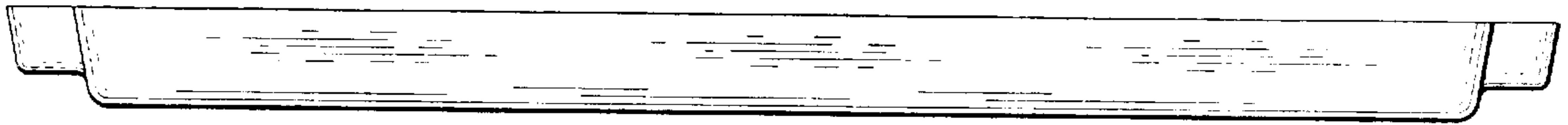


Fig. 3

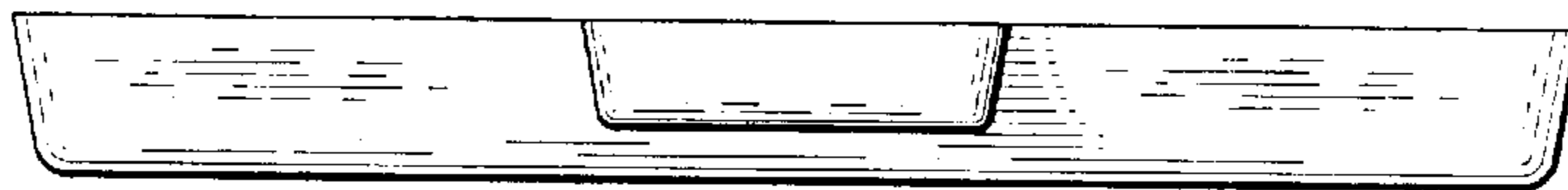


Fig. 4

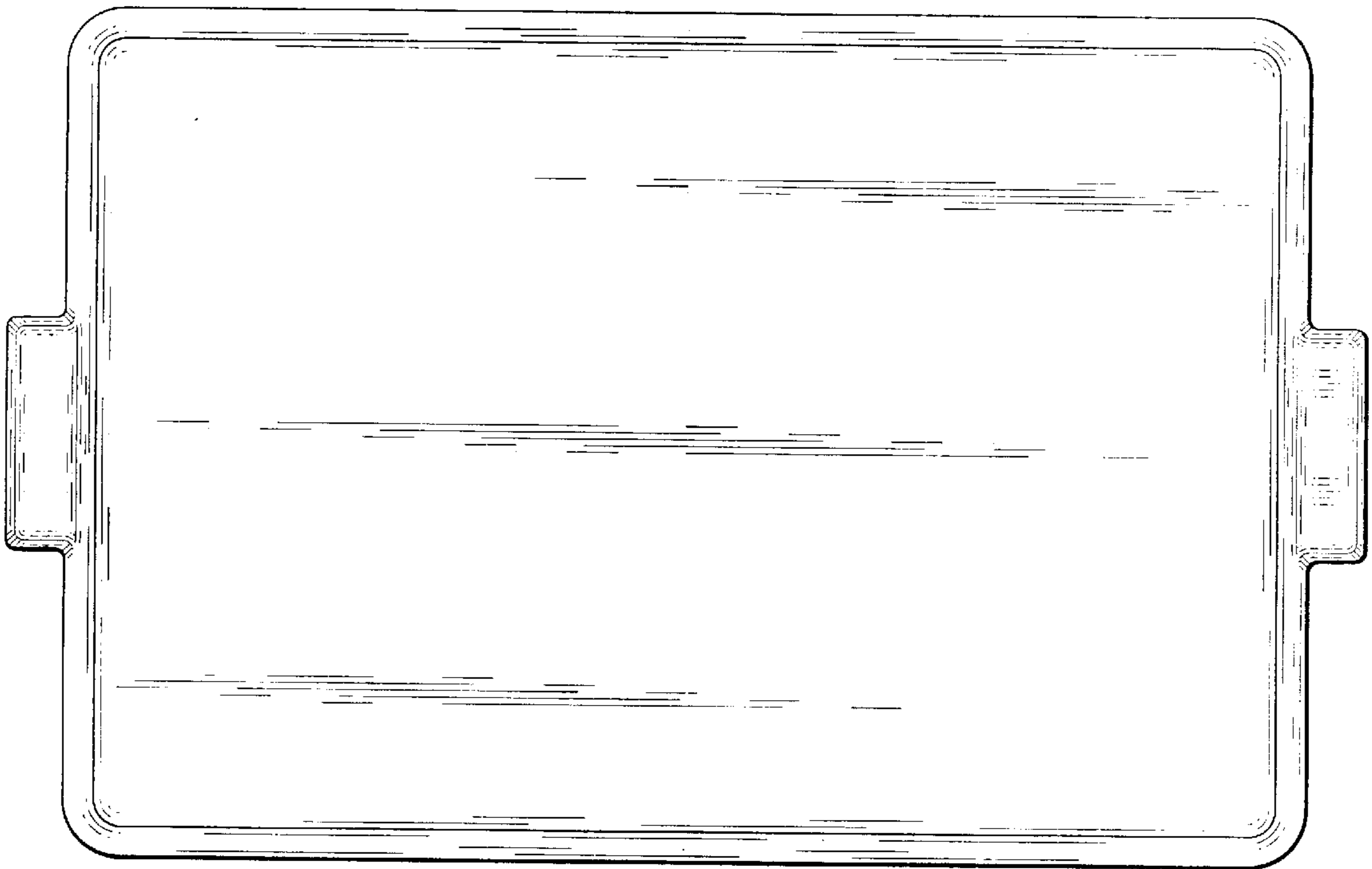


Fig. 5