



US00D463201S

(12) **United States Design Patent**  
**Mendelson et al.**

(10) **Patent No.:** **US D463,201 S**  
(45) **Date of Patent:** **\*\* Sep. 24, 2002**

(54) **PRESSURE COOKER**

(76) Inventors: **Lewis A. Mendelson**, 9830 Briar,  
Overland Park, KS (US) 66207; **Blaise**  
**M. Wooderson**, 15820 W. 131st St.,  
Olathe, KS (US) 66062

(\*\*) Term: **14 Years**

(21) Appl. No.: **29/135,244**

(22) Filed: **Jan. 8, 2001**

(51) **LOC (7) Cl.** ..... **07-02**

(52) **U.S. Cl.** ..... **D7/358**

(58) **Field of Search** ..... D7/323-361; 99/324-328,  
99/339, 342, 357; 220/573.1-573.5

(56) **References Cited**

**U.S. PATENT DOCUMENTS**

1,834,837 A	*	12/1931	Hashimoto	.....	220/203.29
3,438,082 A	*	4/1969	Jones et al.	.....	220/759
D232,412 S	*	8/1974	Schmitt	.....	D7/360
D246,819 S	*	1/1978	Breger	.....	D7/542
D253,388 S		11/1979	Boldt et al.	.....	D7/358
D256,759 S		9/1980	Johnson	.....	D7/358
D258,038 S		1/1981	Johnson	.....	D7/358
D263,270 S		3/1982	Panty	.....	D7/358
D266,823 S	*	11/1982	Martens	.....	D7/356
D268,471 S	*	4/1983	Gremonprez	.....	D7/355
D305,493 S		1/1990	Ryser	.....	D7/391

5,048,400 A		9/1991	Ueda et al.	.....	99/332
D338,132 S	*	8/1993	Chang	.....	D7/356
D338,370 S	*	8/1993	Takdeda	.....	D7/356
5,317,959 A		6/1994	Beluzzi	.....	99/337
D353,969 S		1/1995	Savinel	.....	D7/358
5,442,998 A		8/1995	Niese	.....	99/337
D370,381 S		6/1996	Roussard	.....	D7/358
D370,826 S	*	6/1996	Thurlow	.....	D7/360
D413,483 S		9/1999	Roussard	.....	D7/358
D418,007 S		12/1999	Bouhey et al.	.....	D7/358
D448,965 S	*	10/2001	Jang-Won	.....	D7/360

\* cited by examiner

*Primary Examiner*—Caron D. Veynar

(74) *Attorney, Agent, or Firm*—Shughart Thomson &  
Kilroy, P.C.; Gerald M. Kraai

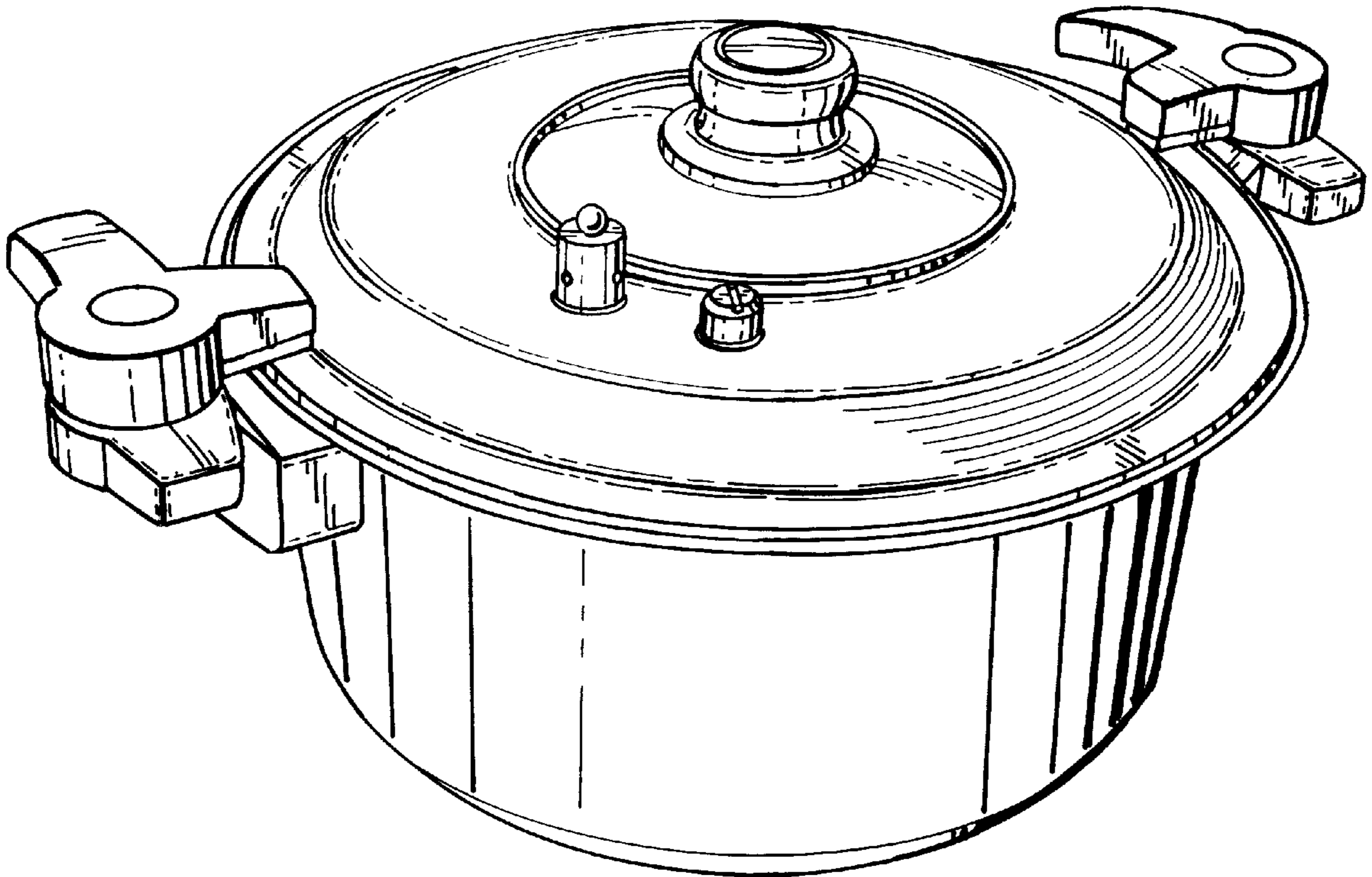
(57) **CLAIM**

The ornamental design for a pressure cooker, as shown and described.

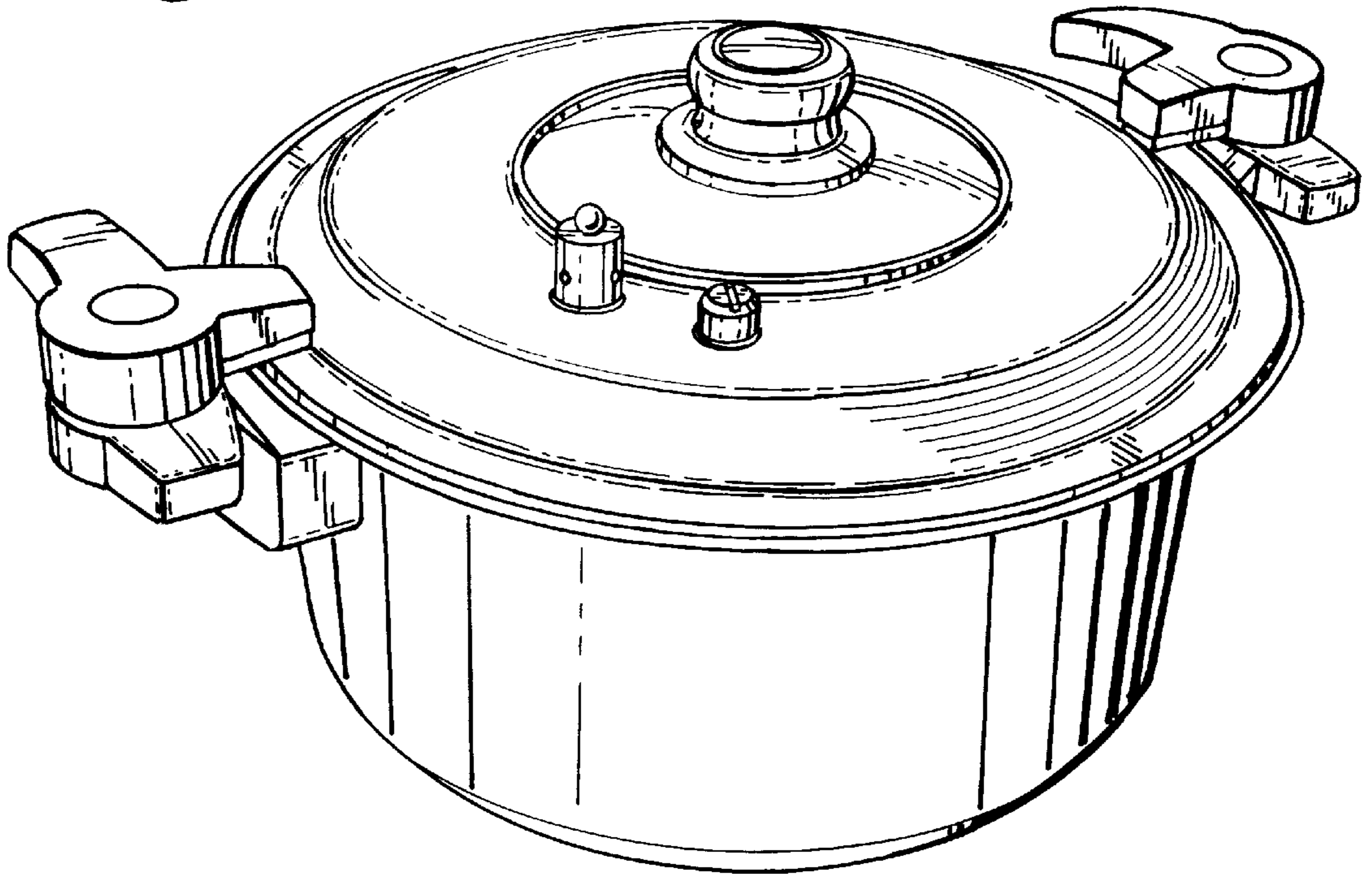
**DESCRIPTION**

FIG. 1 is a perspective view of a pressure cooker.  
FIG. 2 is a front view of the pressure cooker.  
FIG. 3 is a top plan view of the pressure cooker.  
FIG. 4 is a right side view of the pressure cooker.  
FIG. 5 is a bottom plan view of the pressure cooker.  
FIG. 6 is a rear view of the pressure cooker; and,  
FIG. 7 is a left side view of the pressure cooker.

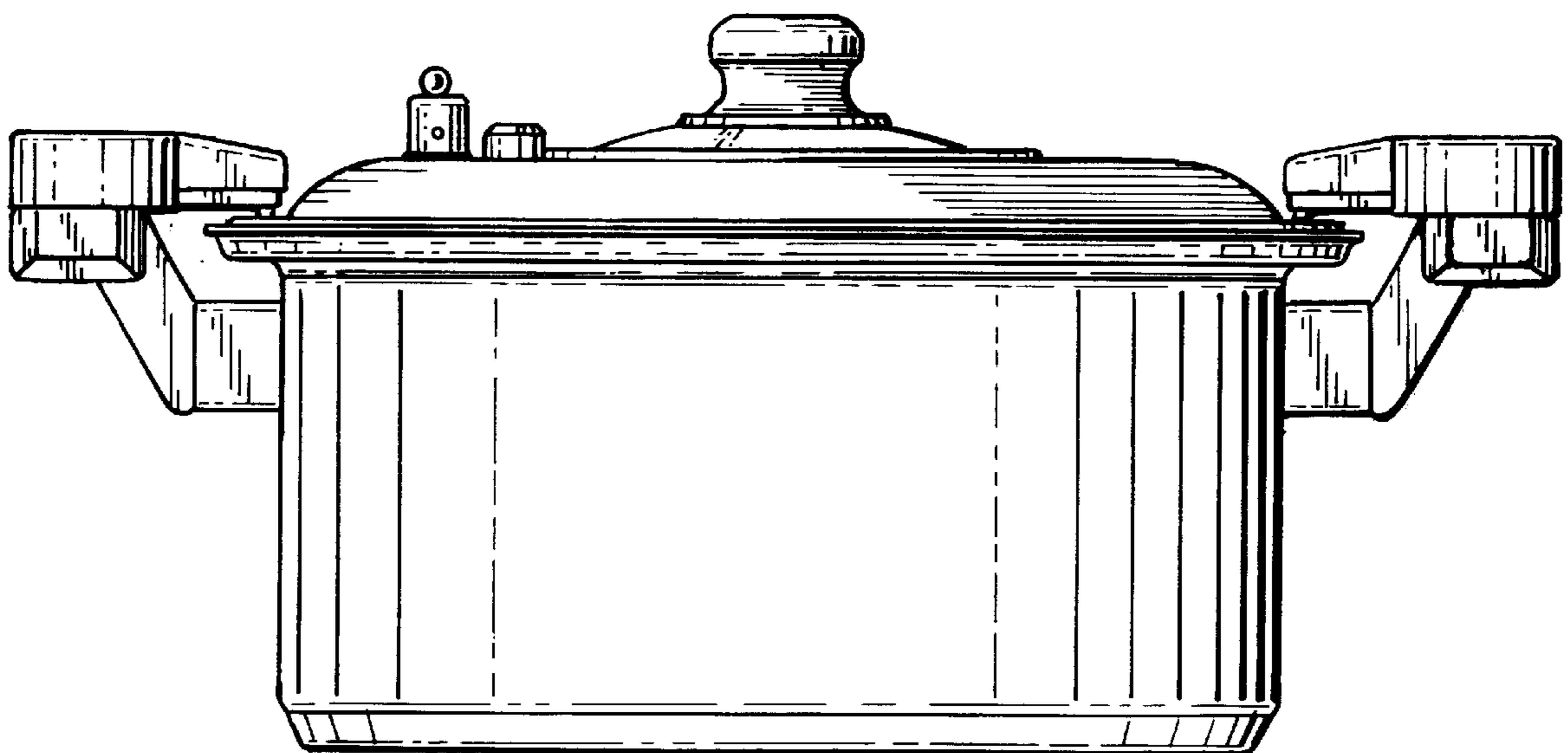
**1 Claim, 4 Drawing Sheets**

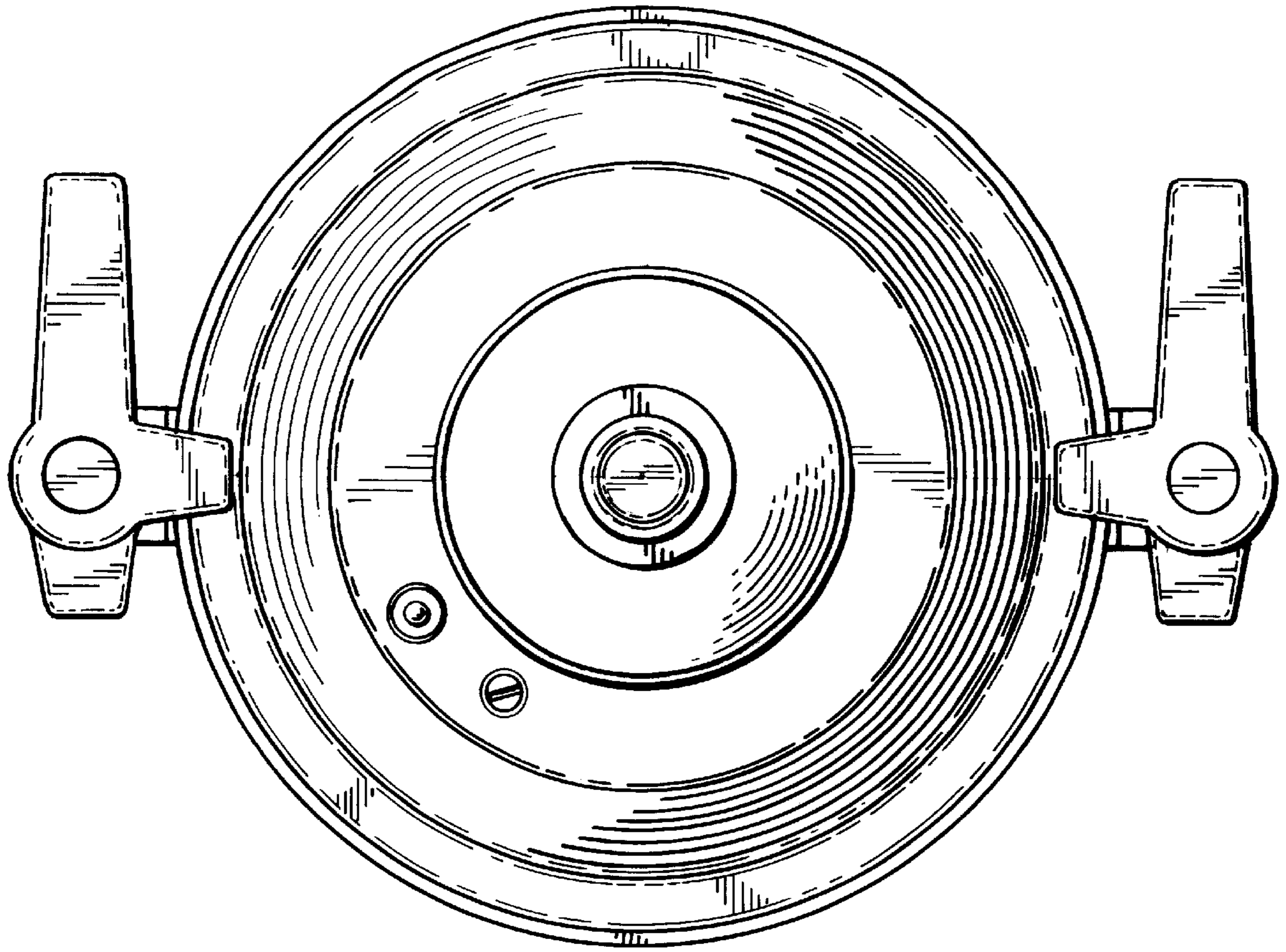


*Fig. 1.*



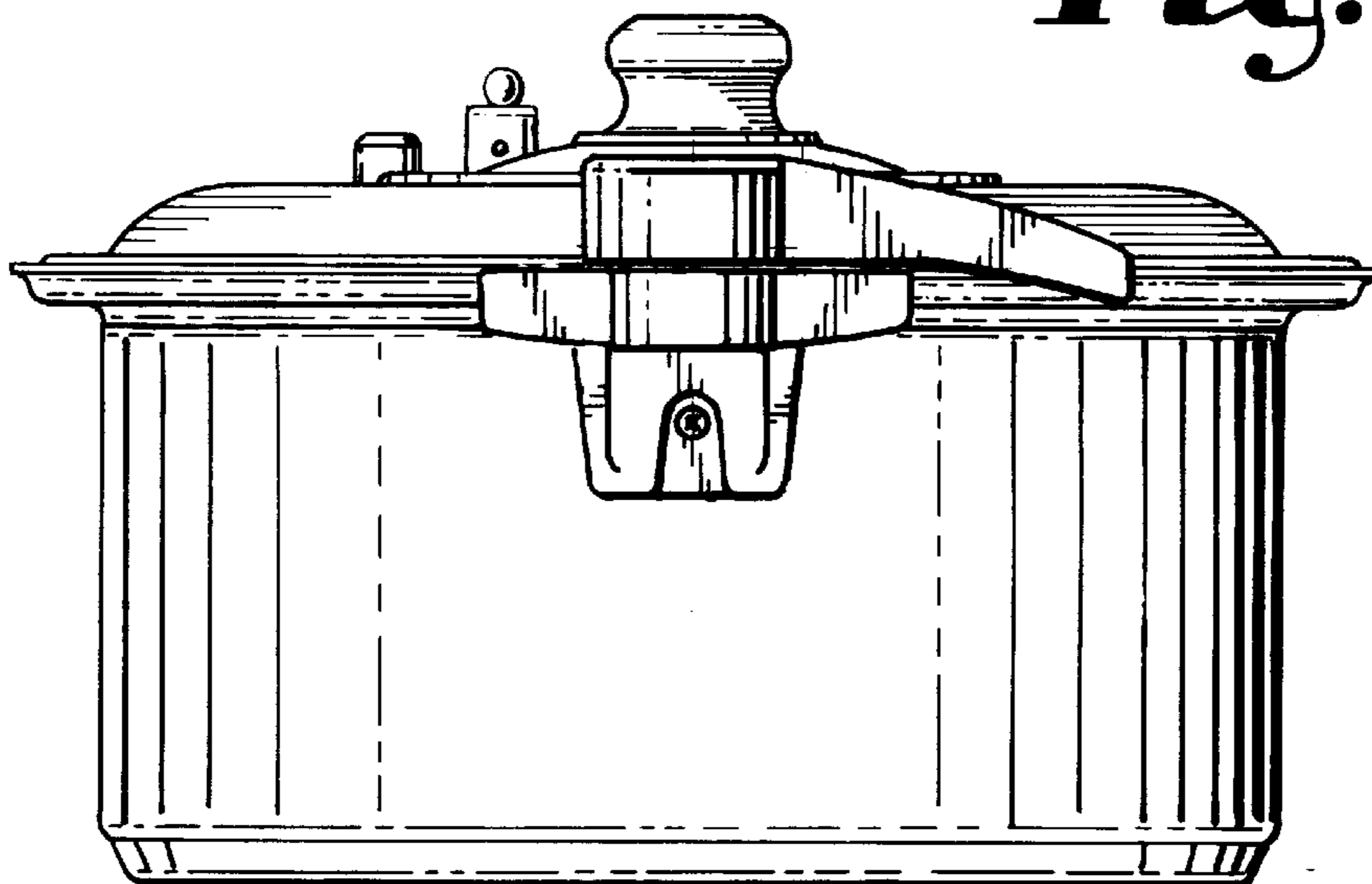
*Fig. 2.*

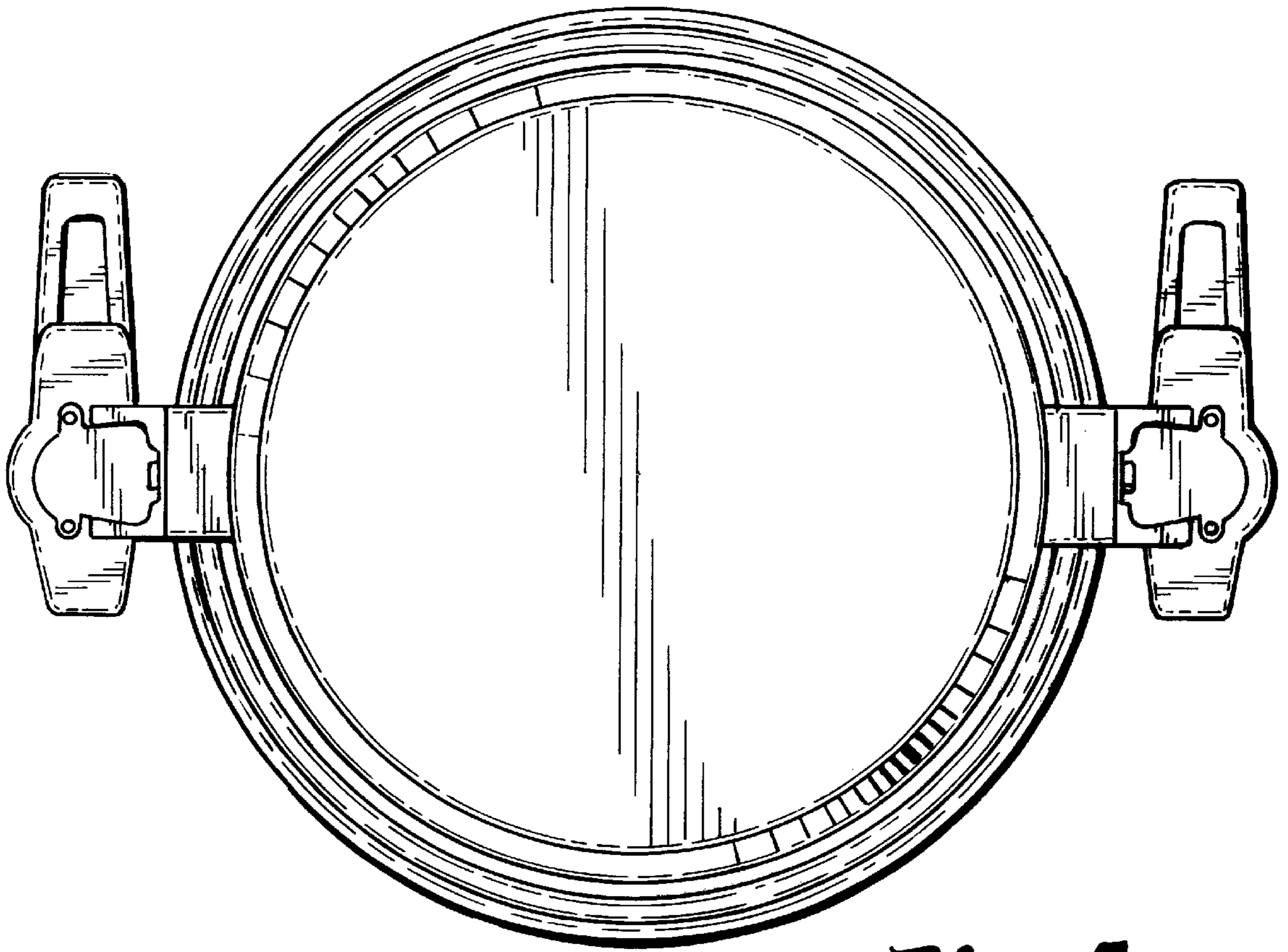




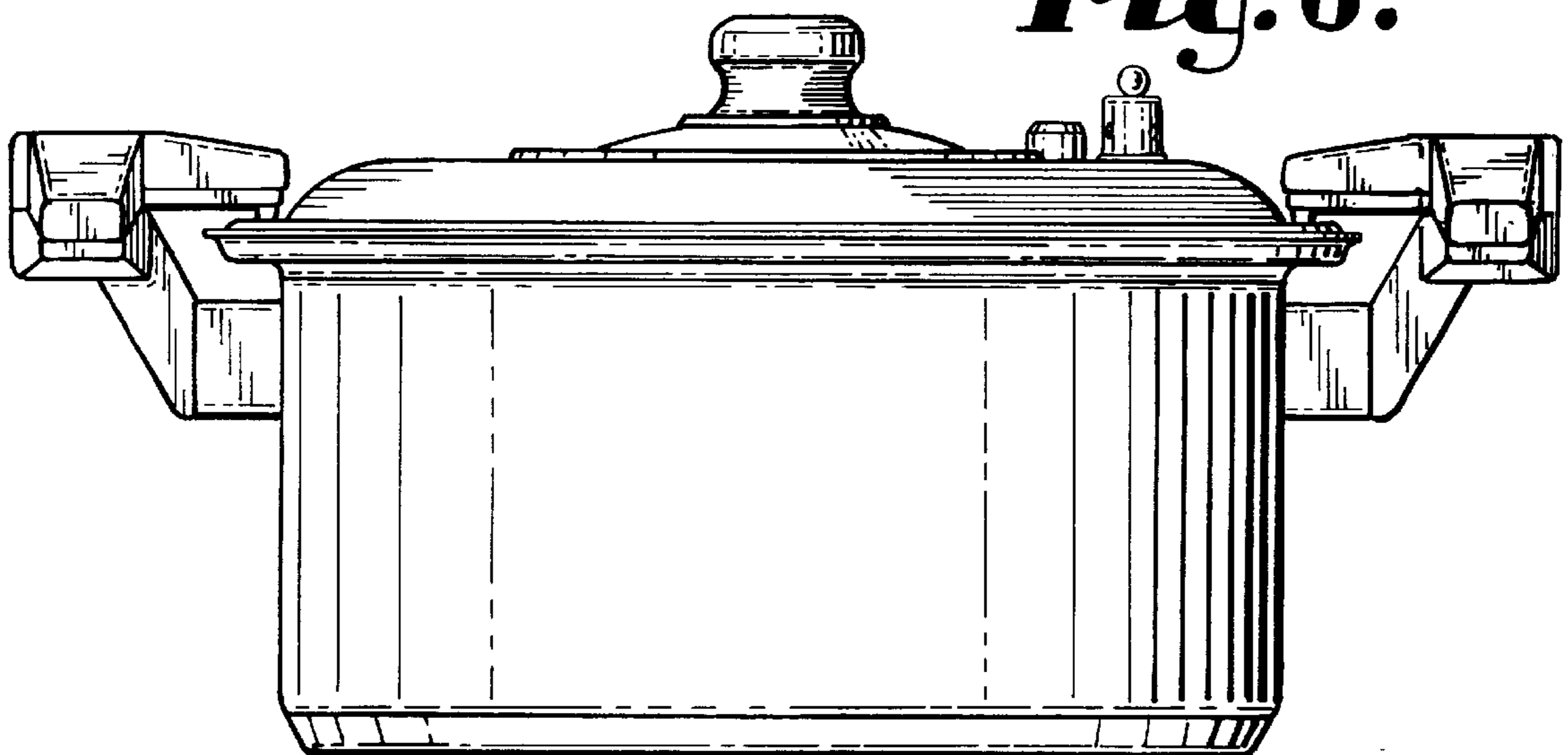
*Fig. 3.*

*Fig. 4.*

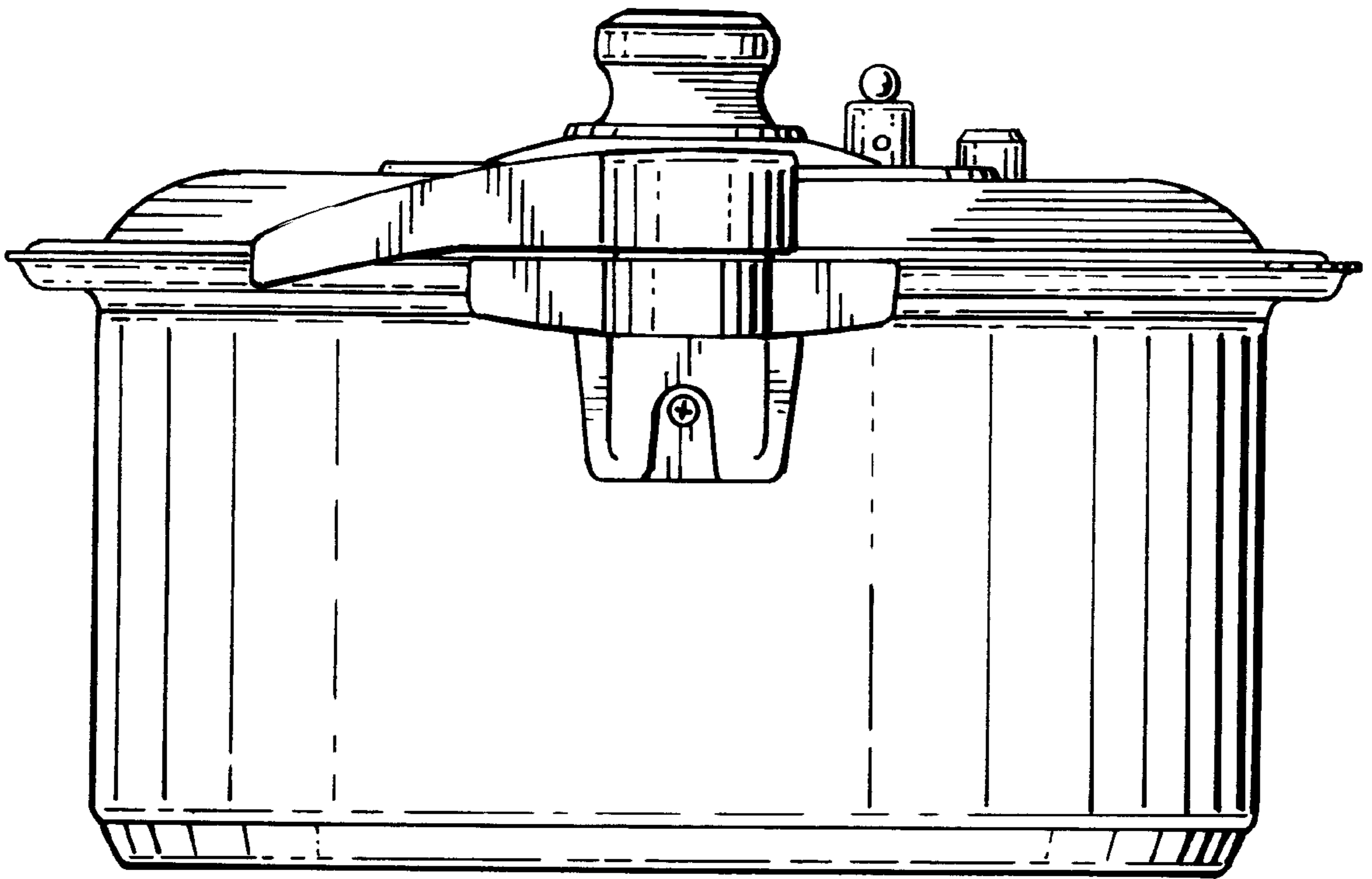




*Fig. 5.*



*Fig. 6.*



*Fig. 7.*