



US00D463198S

(12) **United States Design Patent**  
**Nishikawa**

(10) **Patent No.:** **US D463,198 S**

(45) **Date of Patent:** **\*\* Sep. 24, 2002**

(54) **MICROWAVE OVEN**

(75) Inventor: **Hideo Nishikawa, Higashi-Osaka (JP)**

(73) Assignee: **Nisshin Industry Co., Ltd., Osaka (JP)**

(\*\*) Term: **14 Years**

(21) Appl. No.: **29/146,460**

(22) Filed: **Aug. 10, 2001**

(51) **LOC (7) Cl.** ..... **07-02**

(52) **U.S. Cl.** ..... **D7/351**

(58) **Field of Search** ..... D7/350.1, 350.3,  
D7/350.4, 351, 402, 405-406; 126/273 A,  
275 R, 275 E, 19 M, 21 R; 219/678, 756-758;  
99/DIG. 12, 421 R, 341, 350

(56) **References Cited**

**U.S. PATENT DOCUMENTS**

D305,492 S	*	1/1990	Kawaishi et al.	.....	D7/351
D310,616 S	*	9/1990	Murai et al.	.....	D7/351
D335,064 S	*	4/1993	Sugiyama et al.	.....	D7/351
D336,814 S	*	6/1993	Brookshire	.....	D7/350
D412,637 S	*	8/1999	Piret	.....	D7/350
D436,285 S	*	1/2001	Taira	.....	D7/351
D436,793 S		1/2001	Taira	.....	D7/351
D439,468 S		3/2001	Kim	.....	D7/351
D439,794 S	*	4/2001	Paul	.....	D7/351
D422,018 S		5/2001	Kusachi et al.	.....	D7/351
D442,017 S		5/2001	Noda et al.	.....	D7/351

\* cited by examiner

*Primary Examiner*—Ruth McInroy

(74) *Attorney, Agent, or Firm*—Michael D. Bednarek;  
Shaw Pittman LLP

(57) **CLAIM**

I claim the ornamental design for a microwave oven, as shown.

**DESCRIPTION**

FIG. 1 is a front view of a microwave oven showing my new design;  
 FIG. 2 is a top plan view thereof;  
 FIG. 3 is a right side view thereof;  
 FIG. 4 is a front perspective view thereof;  
 FIG. 5 is a rear perspective view thereof;  
 FIG. 6 is a front perspective view thereof, with the door open;  
 FIG. 7 is a front view thereof, with the door open;  
 FIG. 8 is a front perspective view of a second embodiment thereof;  
 FIG. 9 is a front perspective view thereof, with the door open;  
 FIG. 10 is a front perspective view of a third embodiment thereof;  
 FIG. 11 is a front perspective view thereof, with the door open;  
 FIG. 12 is a front perspective view of a fourth embodiment thereof; and,  
 FIG. 13 is a front perspective view thereof, with the door open.  
 The portions of the microwave oven not shown in the drawings or described in the specification form no part of the claimed invention.

**1 Claim, 9 Drawing Sheets**

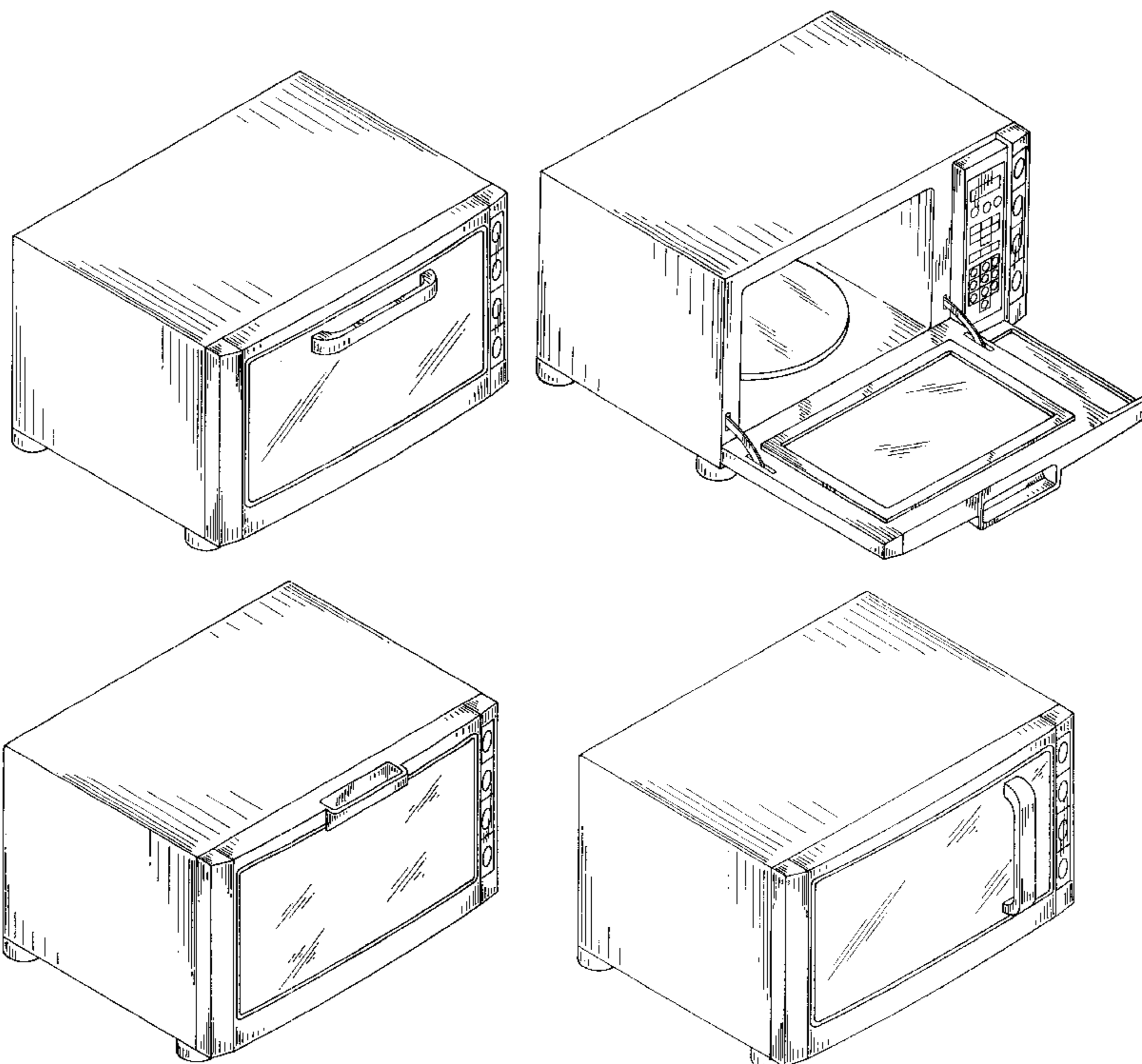


FIG. 1

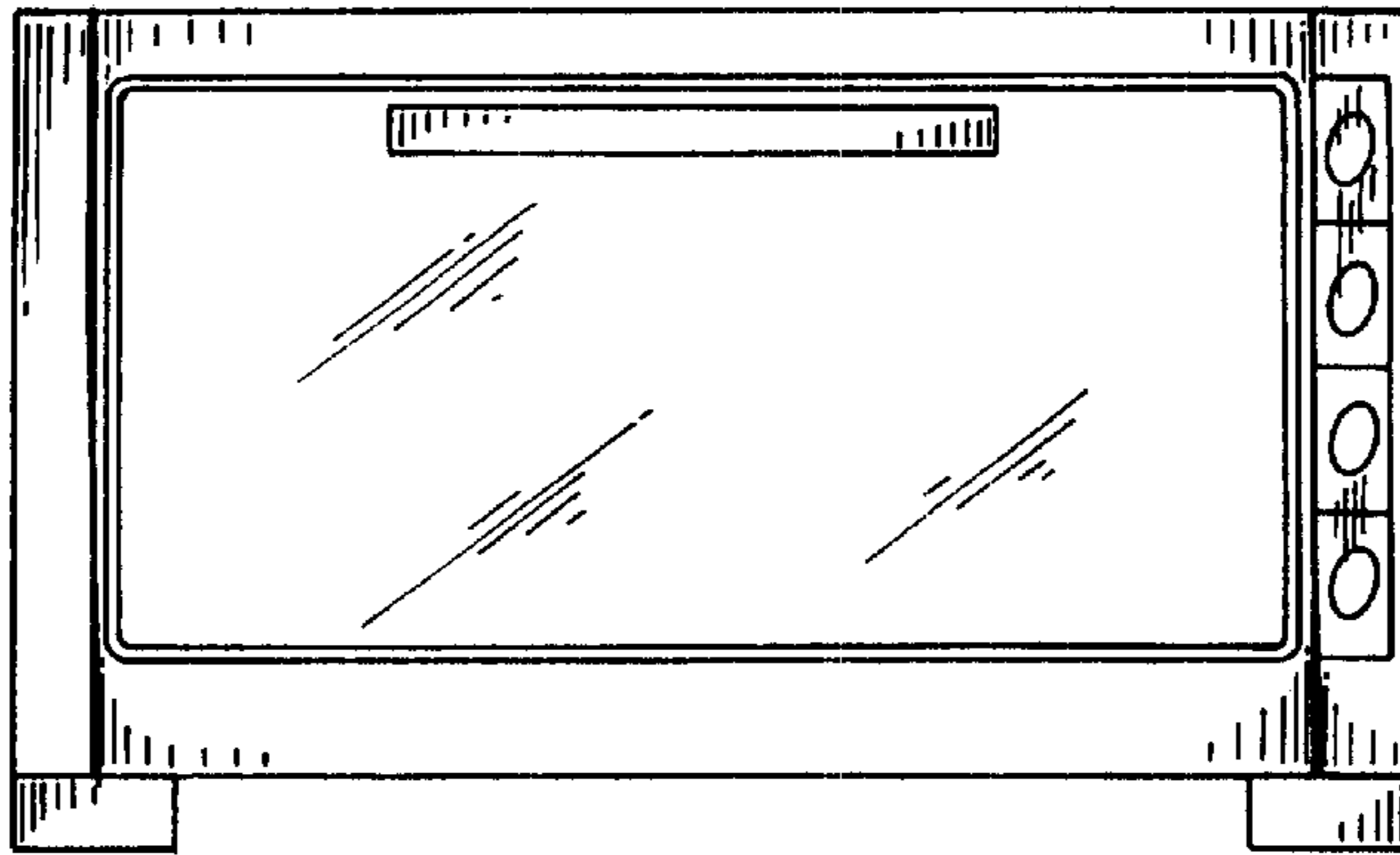


FIG. 2

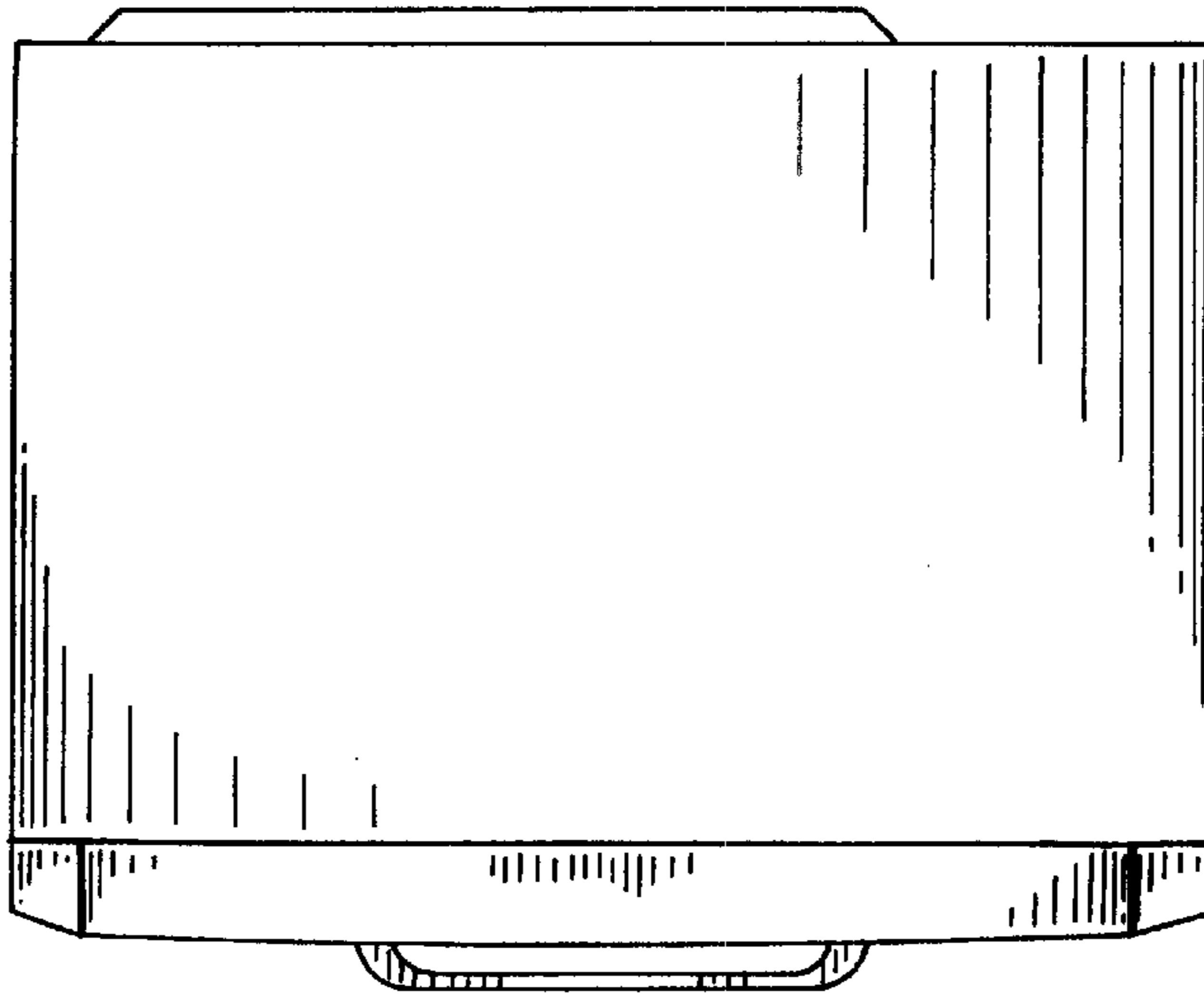


FIG. 3

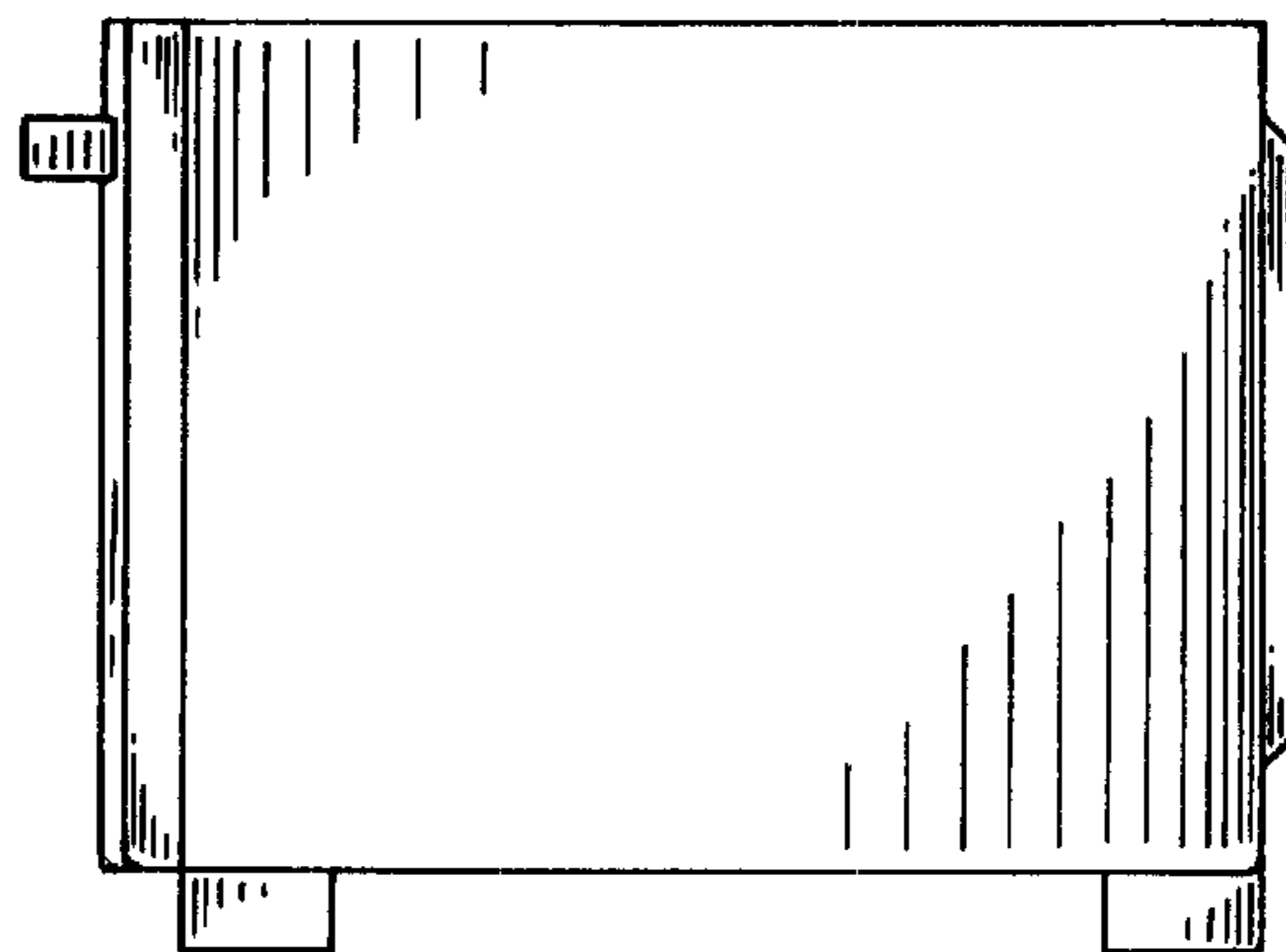


FIG. 4

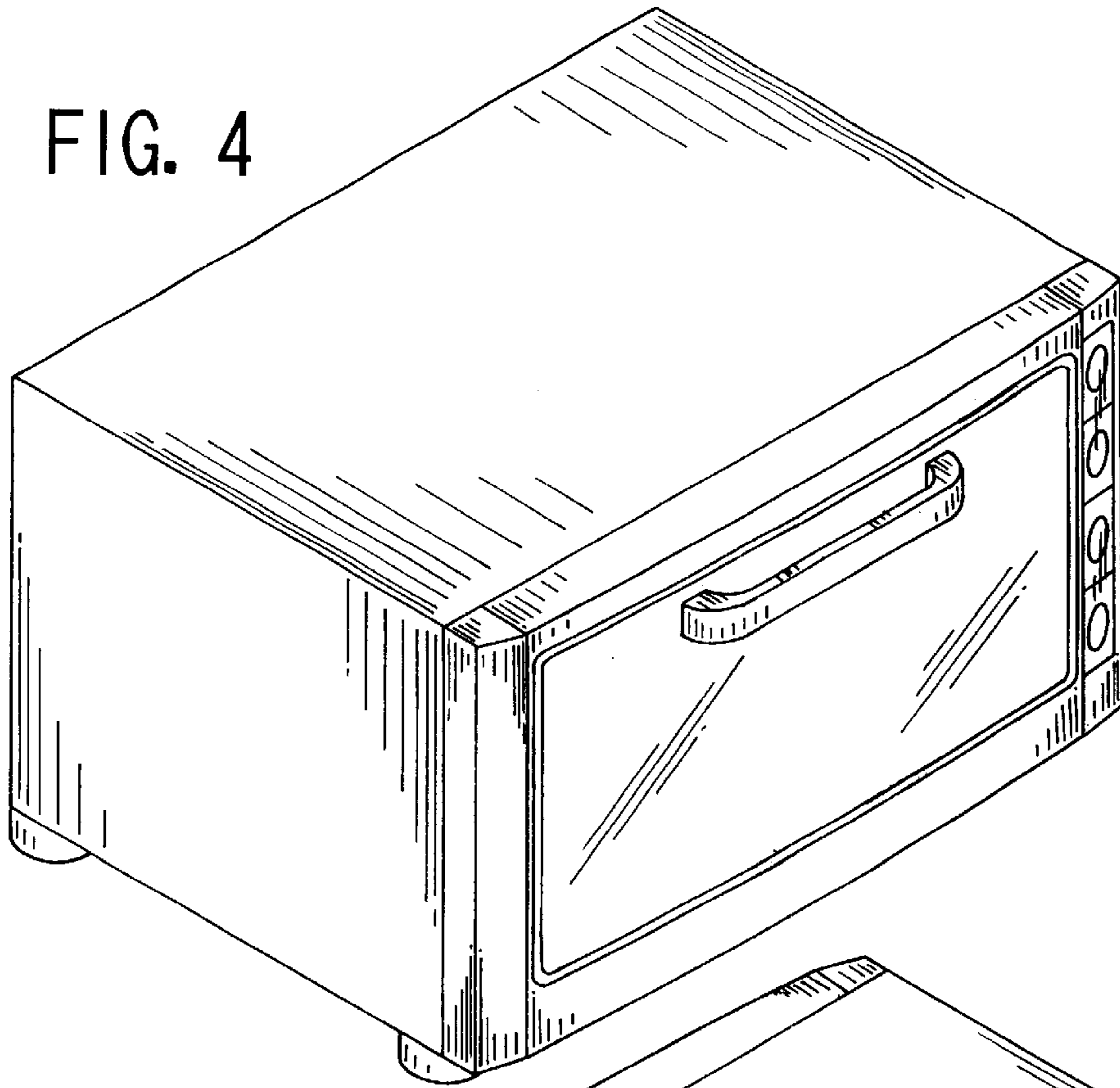


FIG. 5

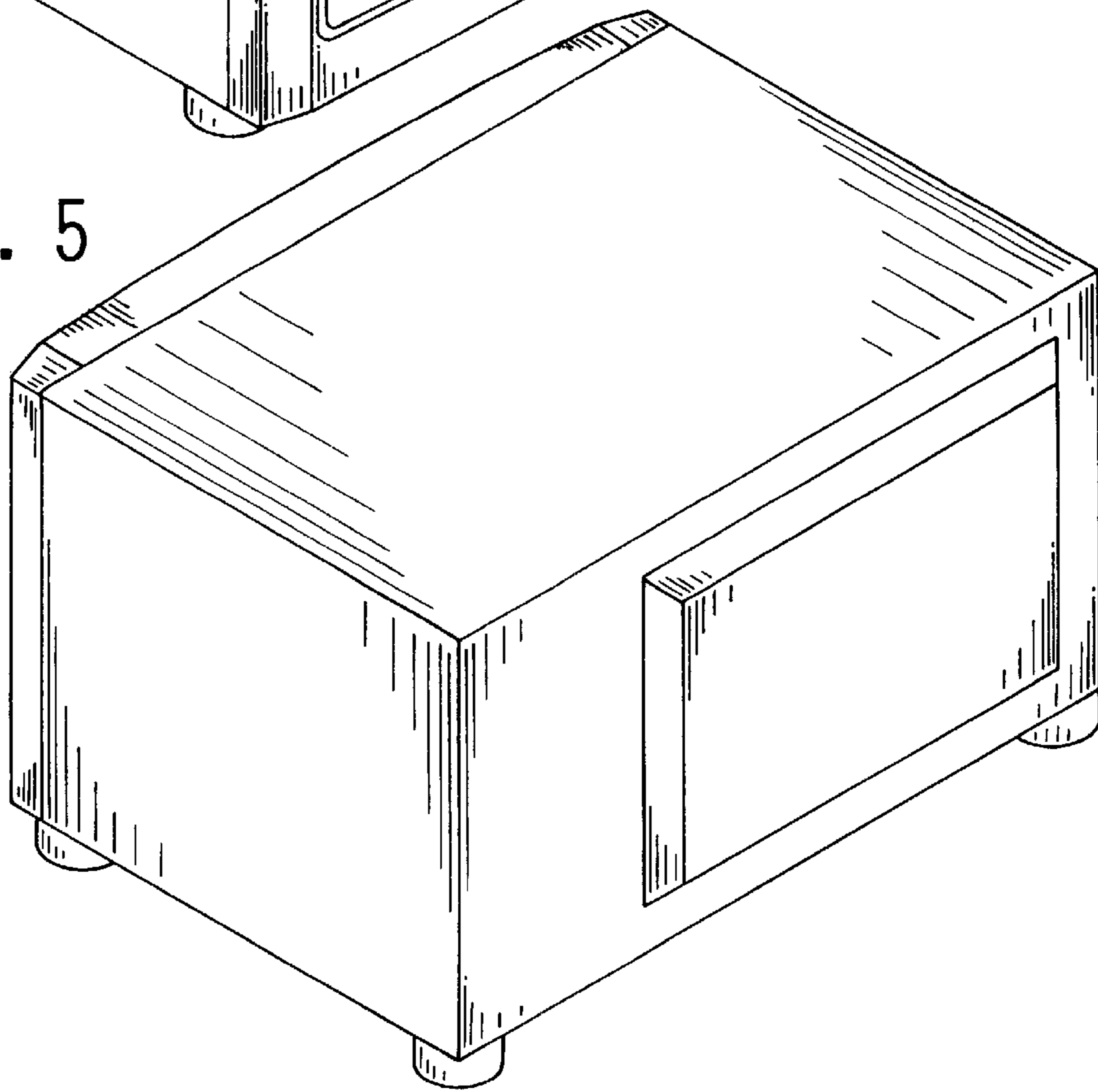


FIG. 6

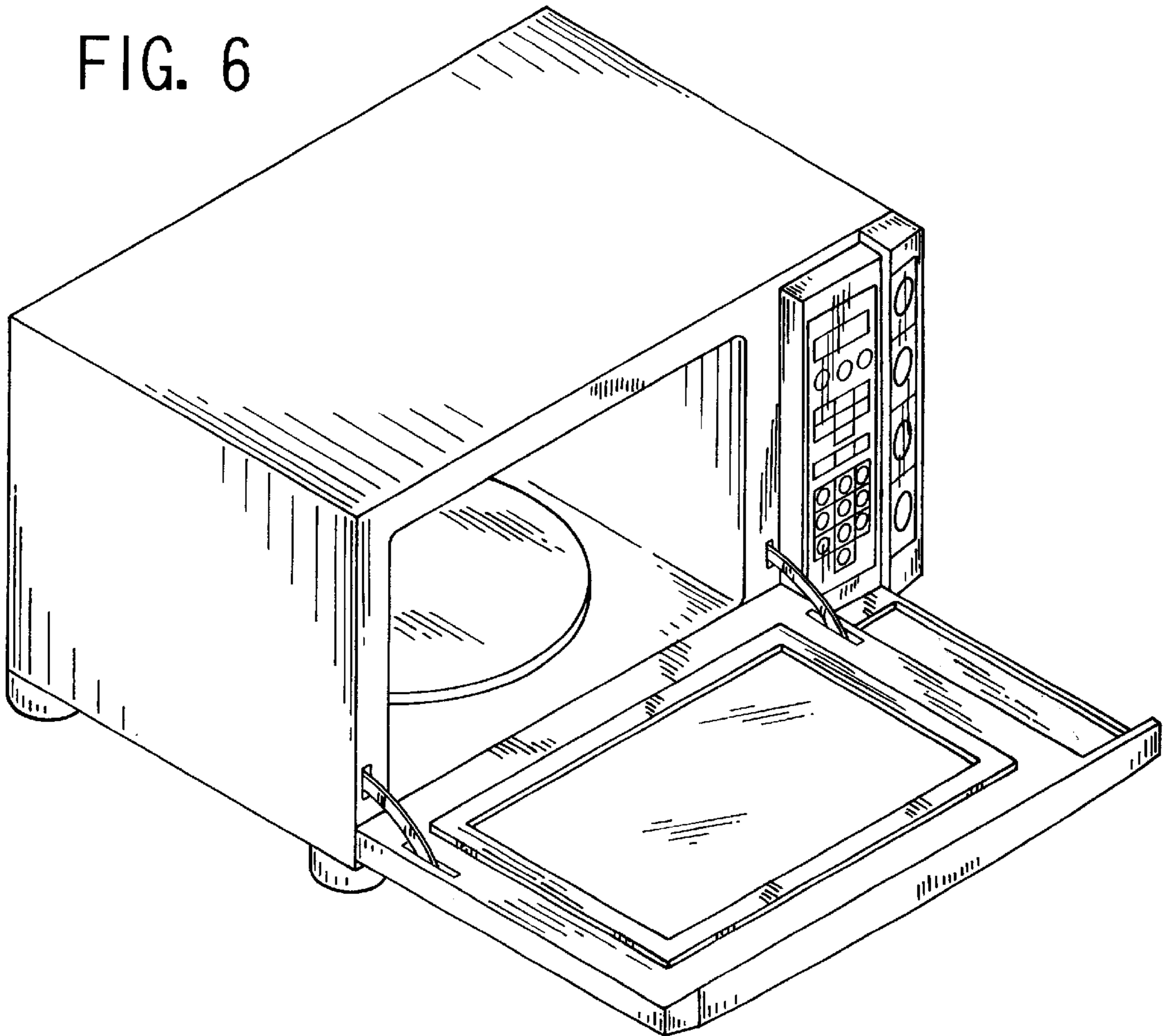


FIG. 7

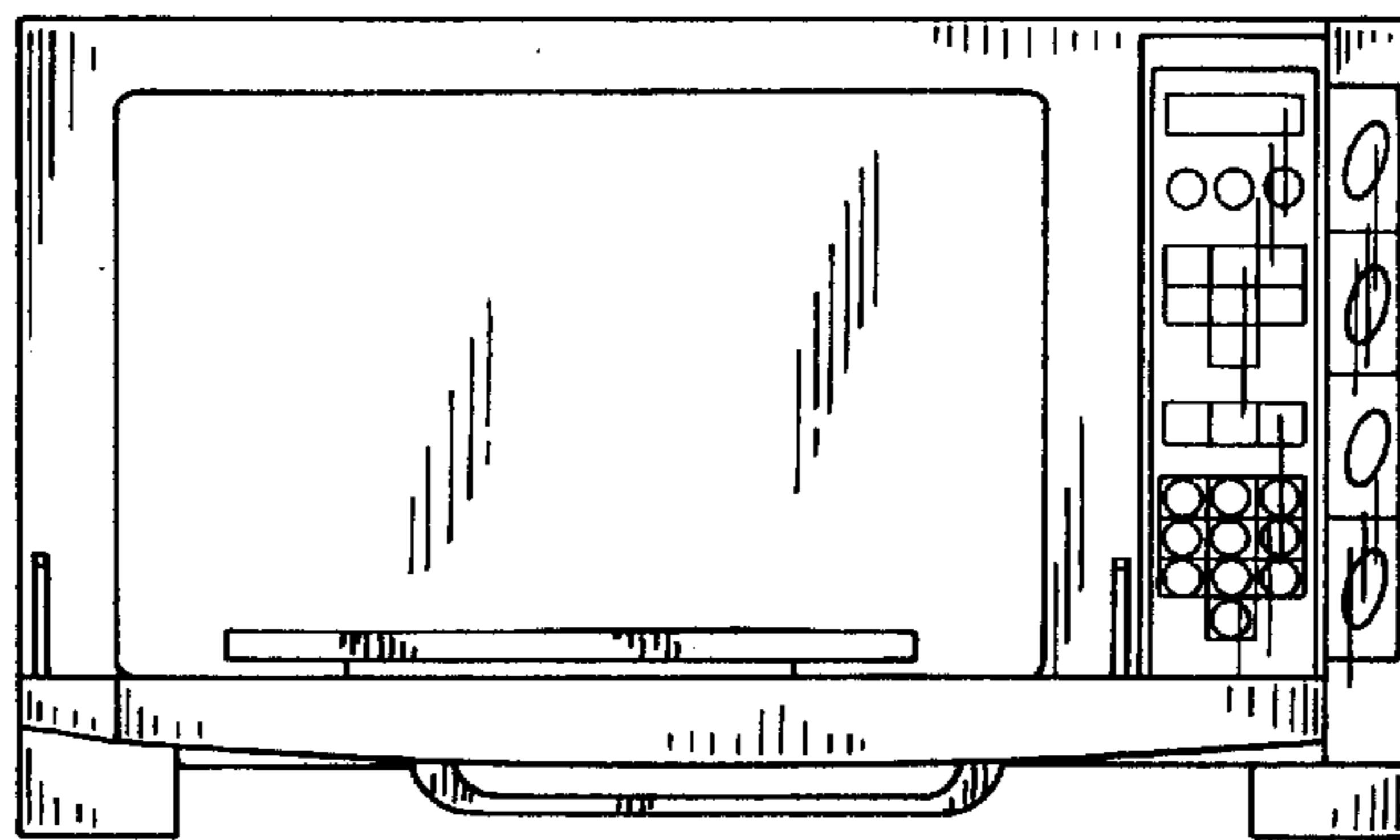


FIG. 8

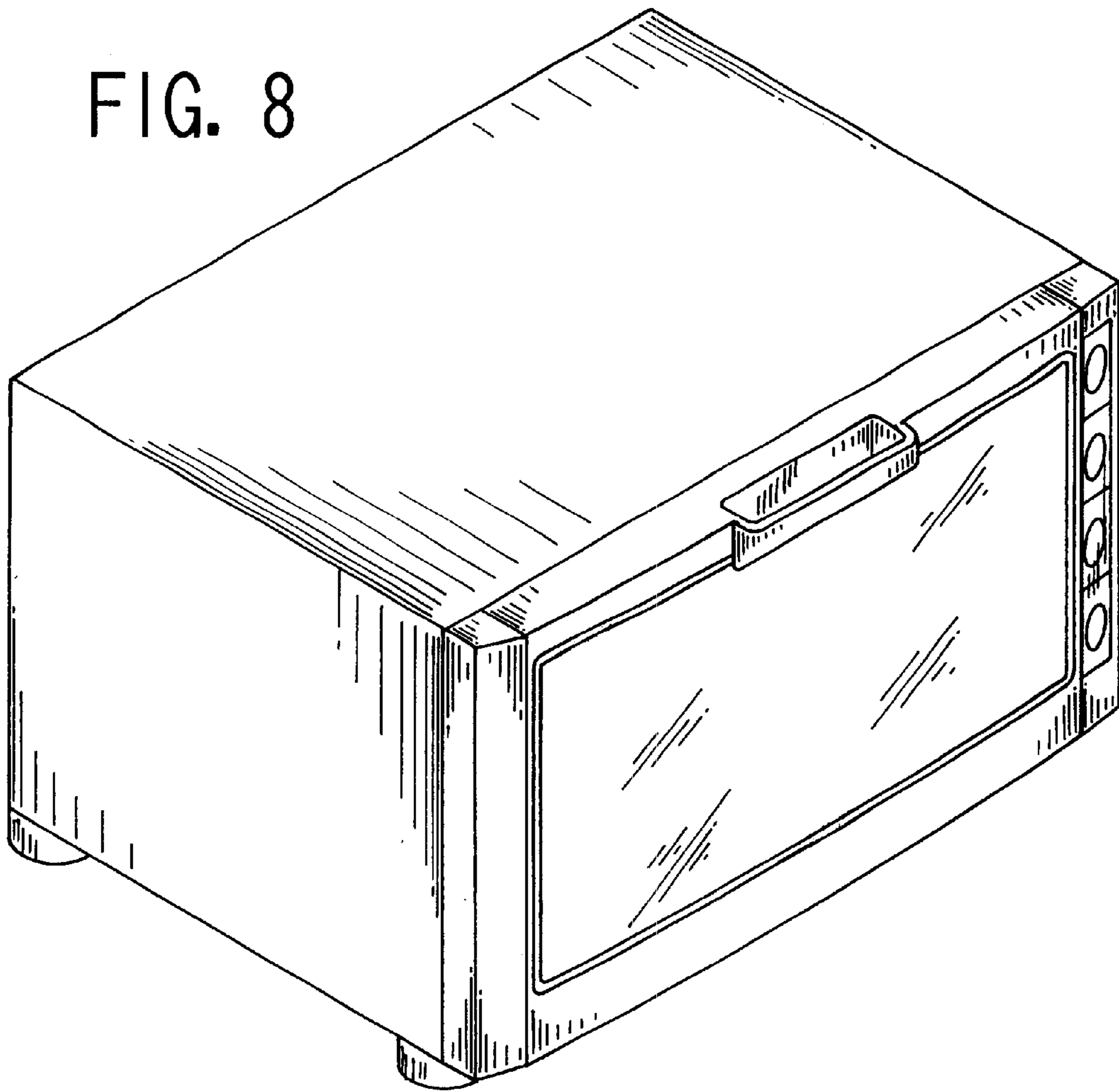


FIG. 9

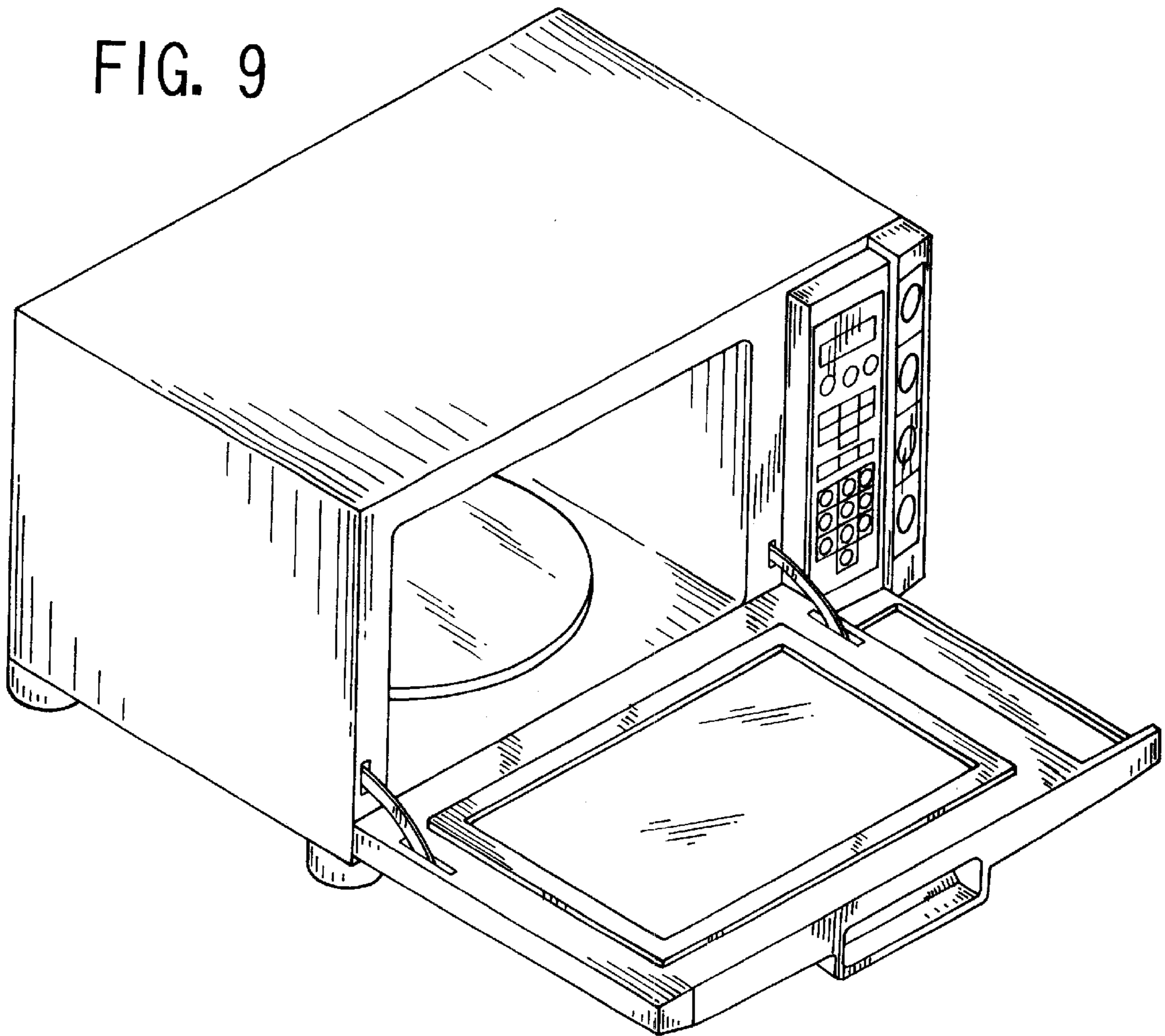


FIG. 10

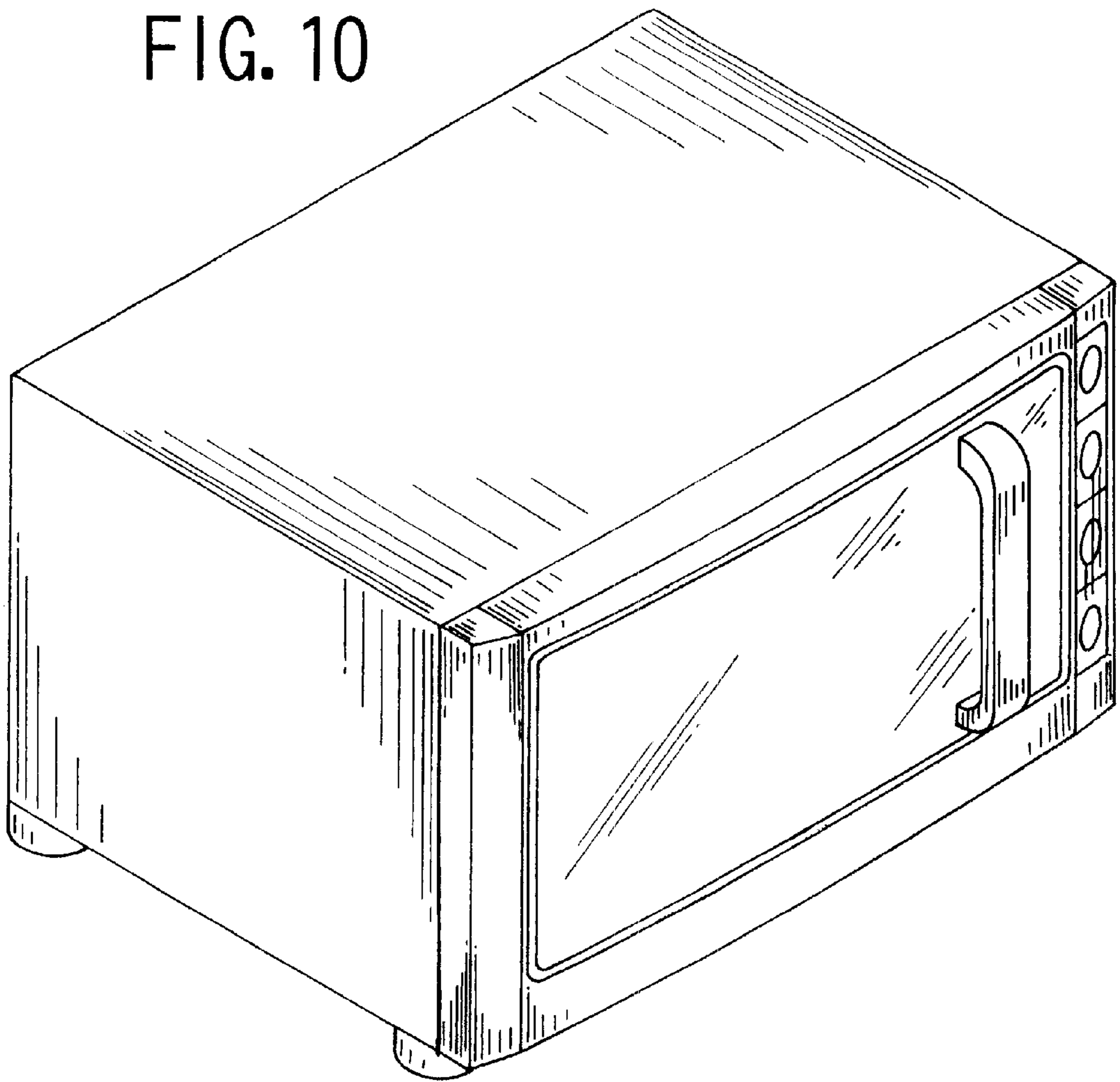


FIG. 11

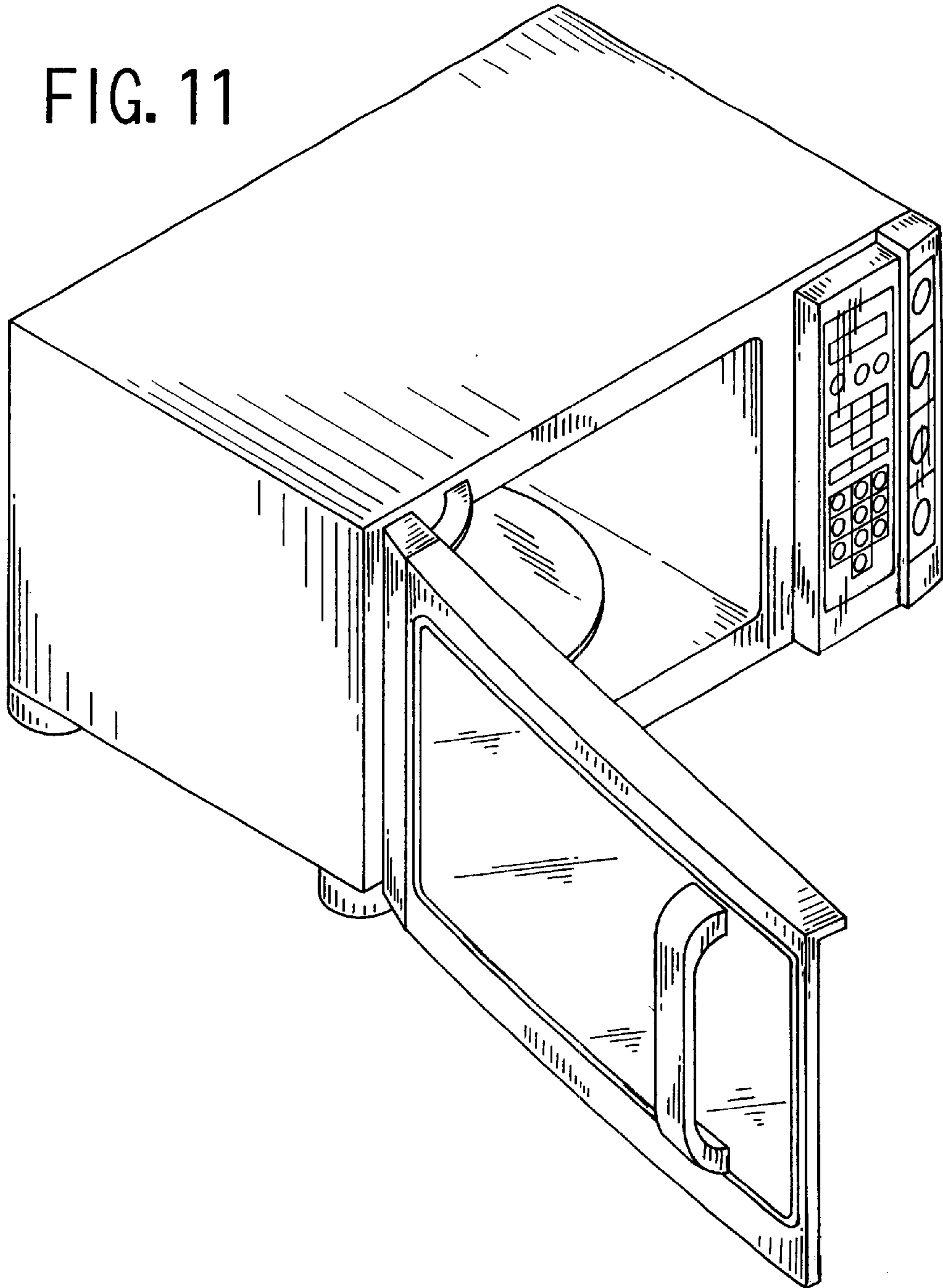




FIG. 12

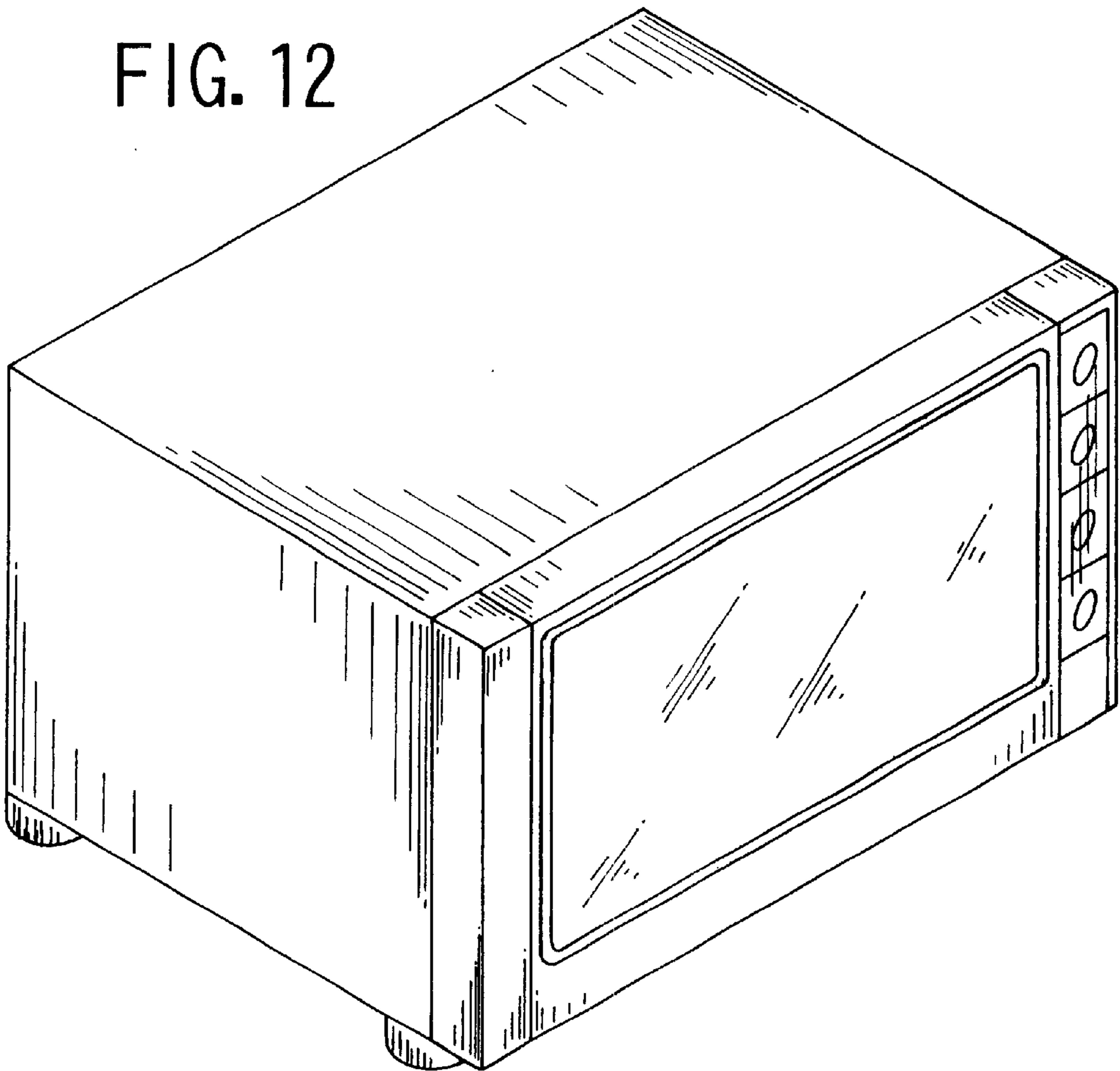


FIG. 13

