



US00D463196S

(12) **United States Design Patent**  
**Hsu**

(10) **Patent No.:** **US D463,196 S**

(45) **Date of Patent:** **\*\* Sep. 24, 2002**

(54) **EGG-SHAPED GRILL**

(75) Inventor: **Ching-Hui Hsu, Taipei (TW)**

(73) Assignee: **Test-Rite Products Corporation,**  
**Buena Park, CA (US)**

(\*\*) Term: **14 Years**

(21) Appl. No.: **29/142,596**

(22) Filed: **May 31, 2001**

(51) **LOC (7) Cl.** ..... **07-02**

(52) **U.S. Cl.** ..... **D7/332**

(58) **Field of Search** ..... D7/402-404, 332-337;  
126/25 R, 25 A, 25 AA, 29-30, 39 R, 41 R;  
99/419, 421 R

(56) **References Cited**

**U.S. PATENT DOCUMENTS**

D209,491 S	*	12/1967	Kostial	.....	D7/332
D220,073 S	*	3/1971	Ehrlichmann	.....	D7/332
D244,249 S	*	5/1977	Boswell et al.	.....	D7/332
5,222,475 A	*	6/1993	Greener	.....	126/41 R
5,467,692 A	*	11/1995	Perez, III	.....	99/340
D374,371 S	*	10/1996	McDonald	.....	D7/332
5,752,497 A	*	5/1998	Combs et al.	.....	126/25 R

5,755,151 A	*	5/1998	Nowicke, Sr.	.....	99/340
5,768,977 A	*	6/1998	Parris et al.	.....	99/340

\* cited by examiner

*Primary Examiner*—Ruth McInroy

(74) *Attorney, Agent, or Firm*—Bacon & Thomas

(57) **CLAIM**

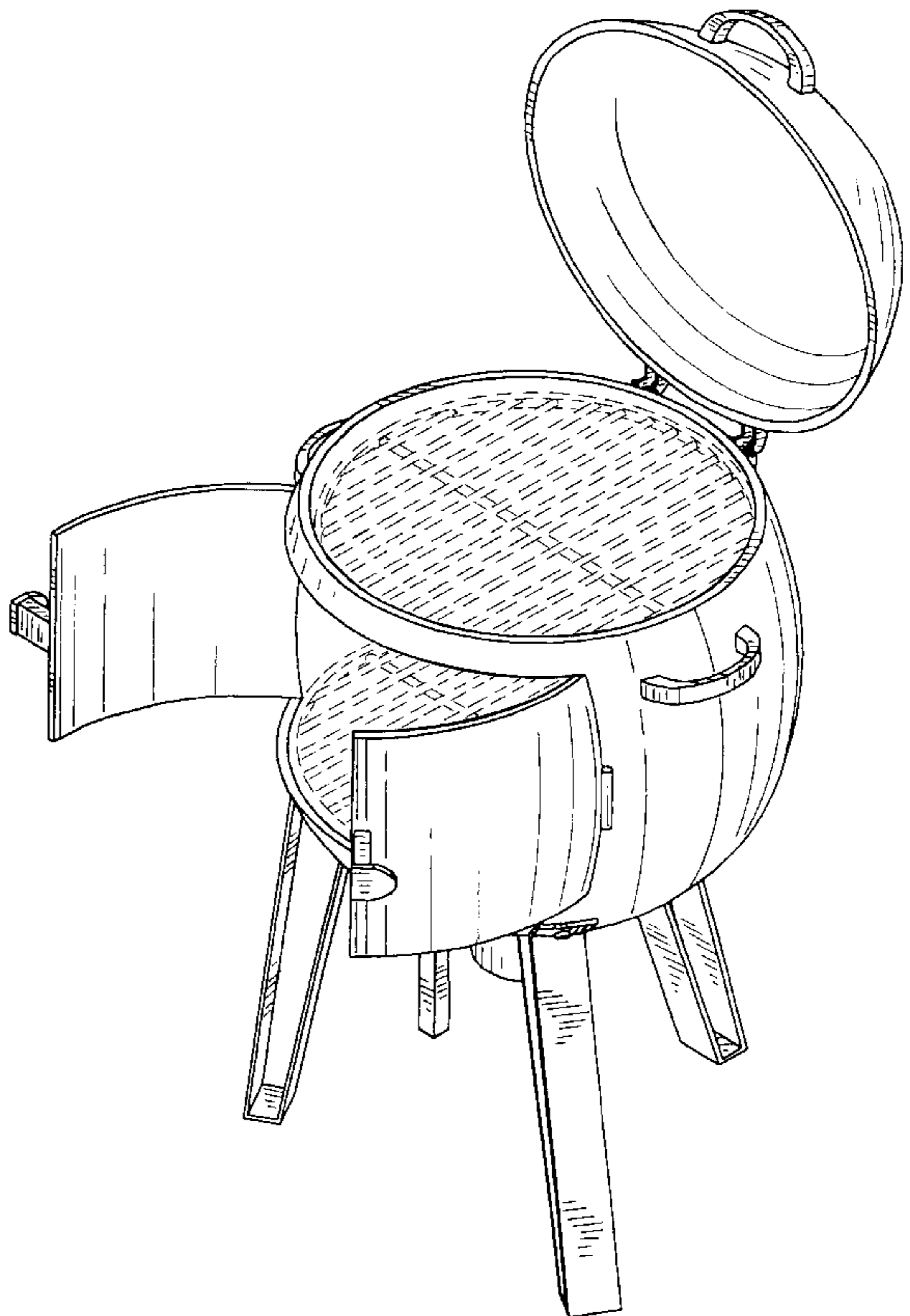
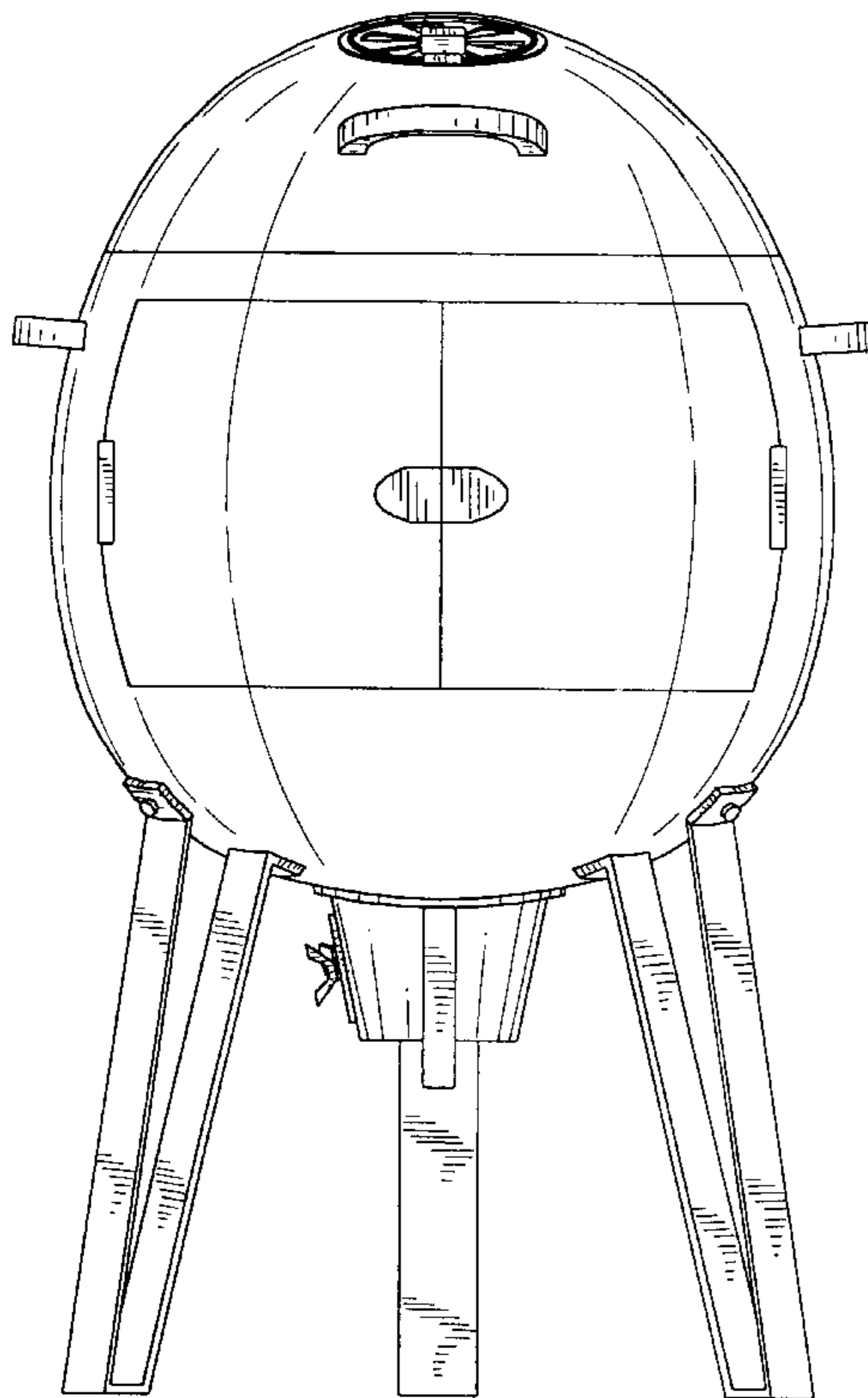
I claim the ornamental design for an egg-shaped grill, as shown and described.

**DESCRIPTION**

FIG. 1 is a front elevational view of an egg-shaped grill showing my new design;  
FIG. 2 is a rear elevational view thereof;  
FIG. 3 is a left side elevational view thereof;  
FIG. 4 is a right side elevational view thereof;  
FIG. 5 is a top plan view thereof;  
FIG. 6 is a bottom plan view thereof;  
FIG. 7 is a perspective view thereof; and,  
FIG. 8 is a perspective view thereof with the lid in an open position.

The details shown in broken lines in FIG. 8 are for illustrative purposes only and form no part of the claimed design.

**1 Claim, 8 Drawing Sheets**



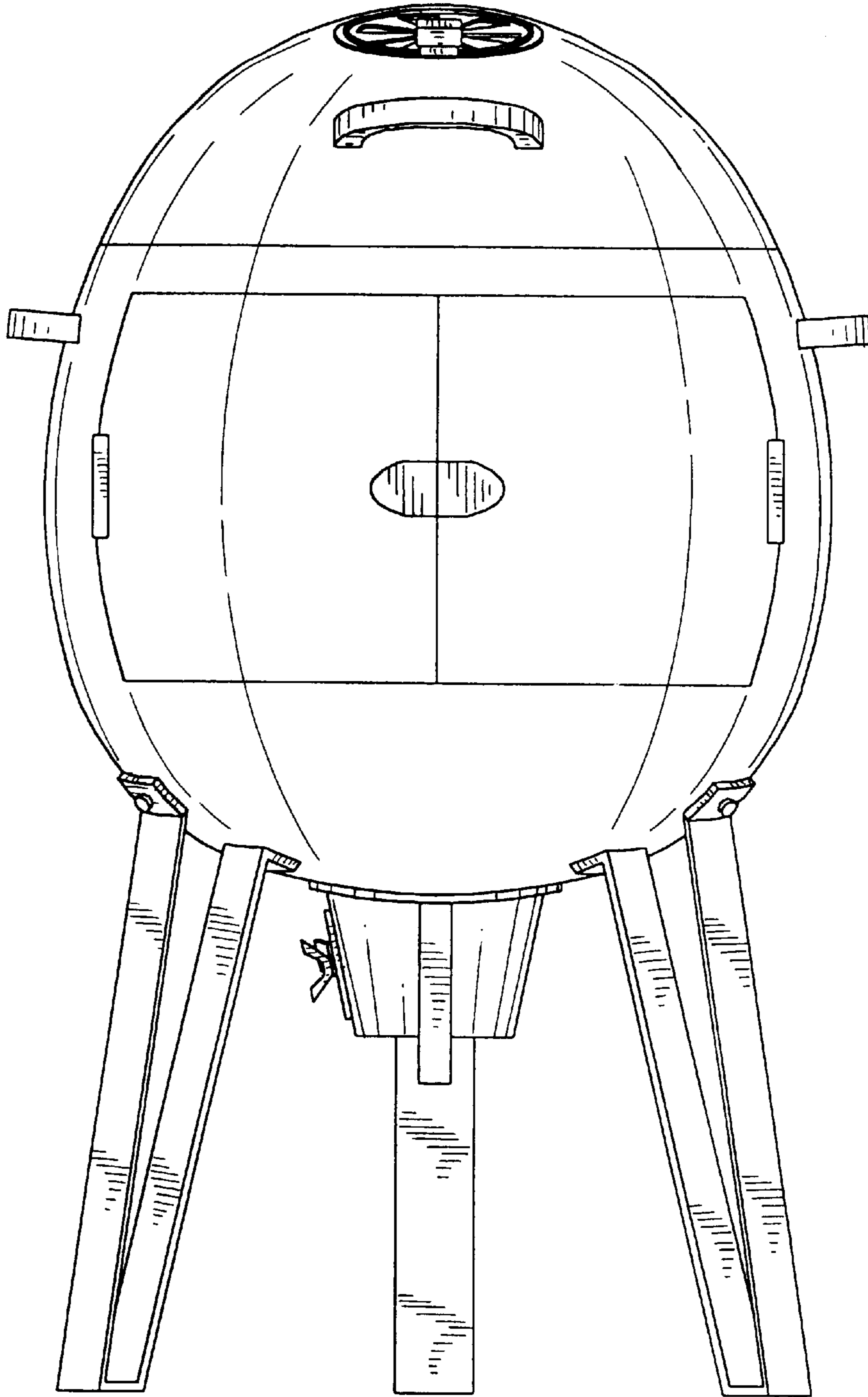


FIG. 1

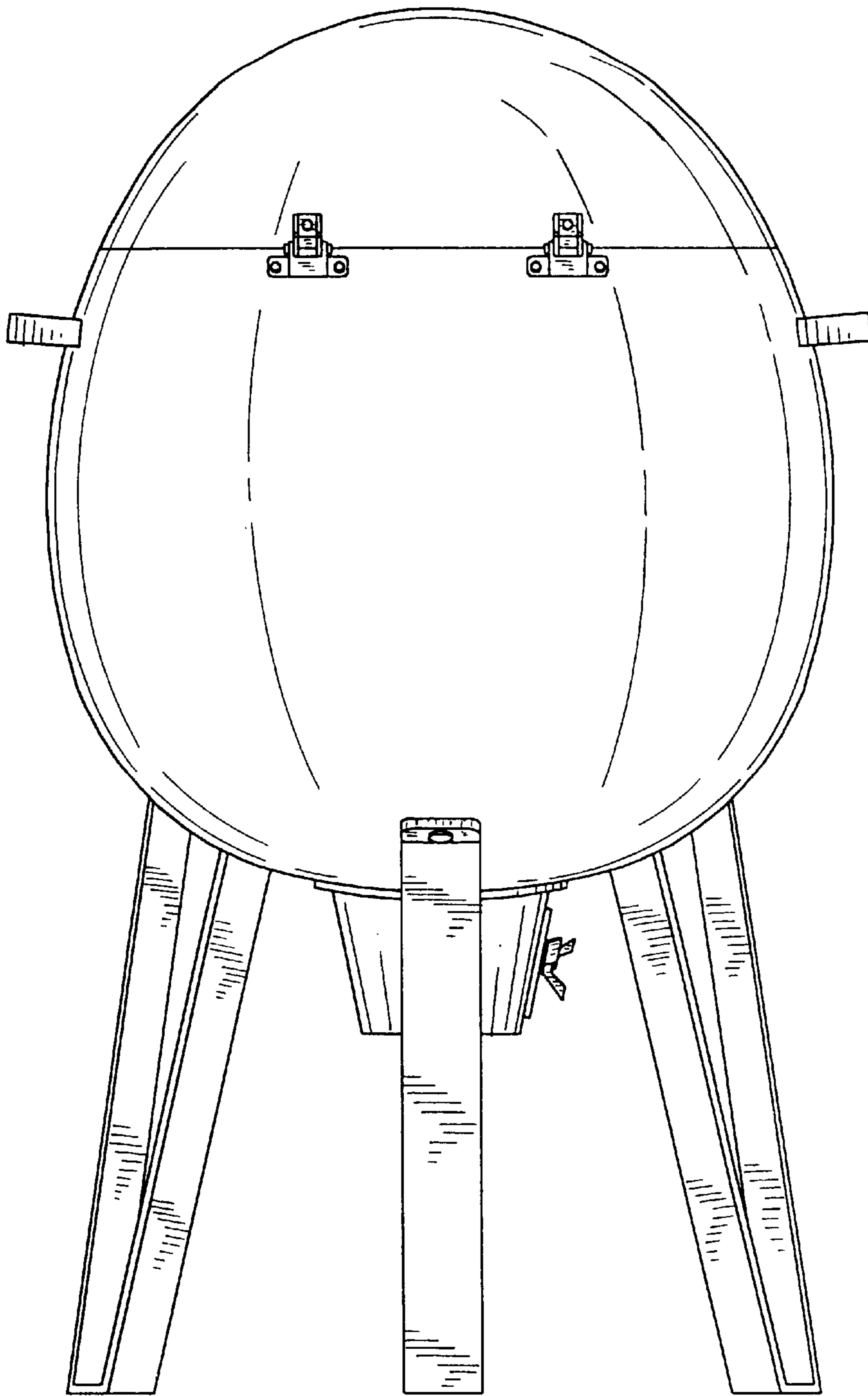


FIG. 2

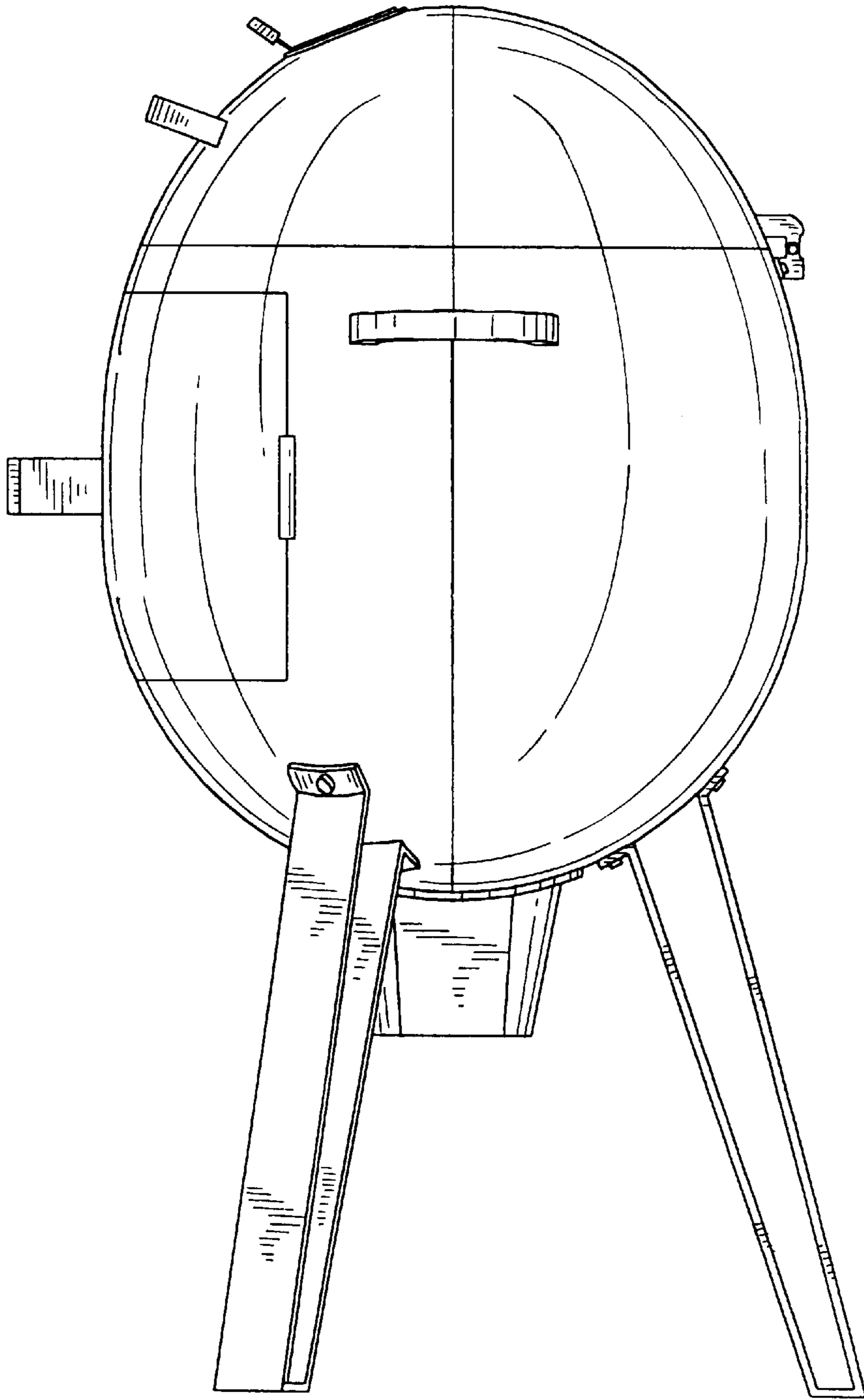


FIG. 3

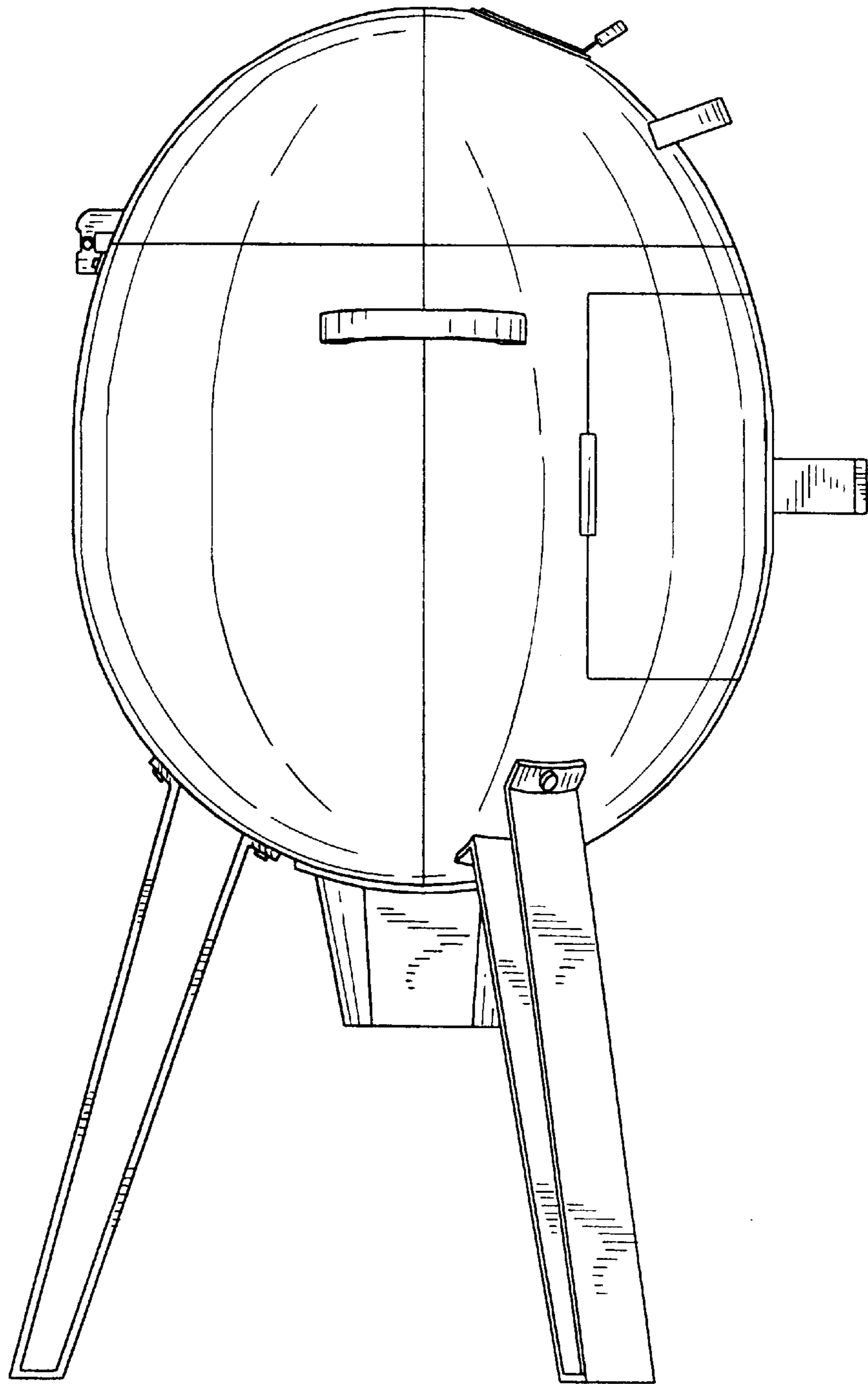


FIG.4

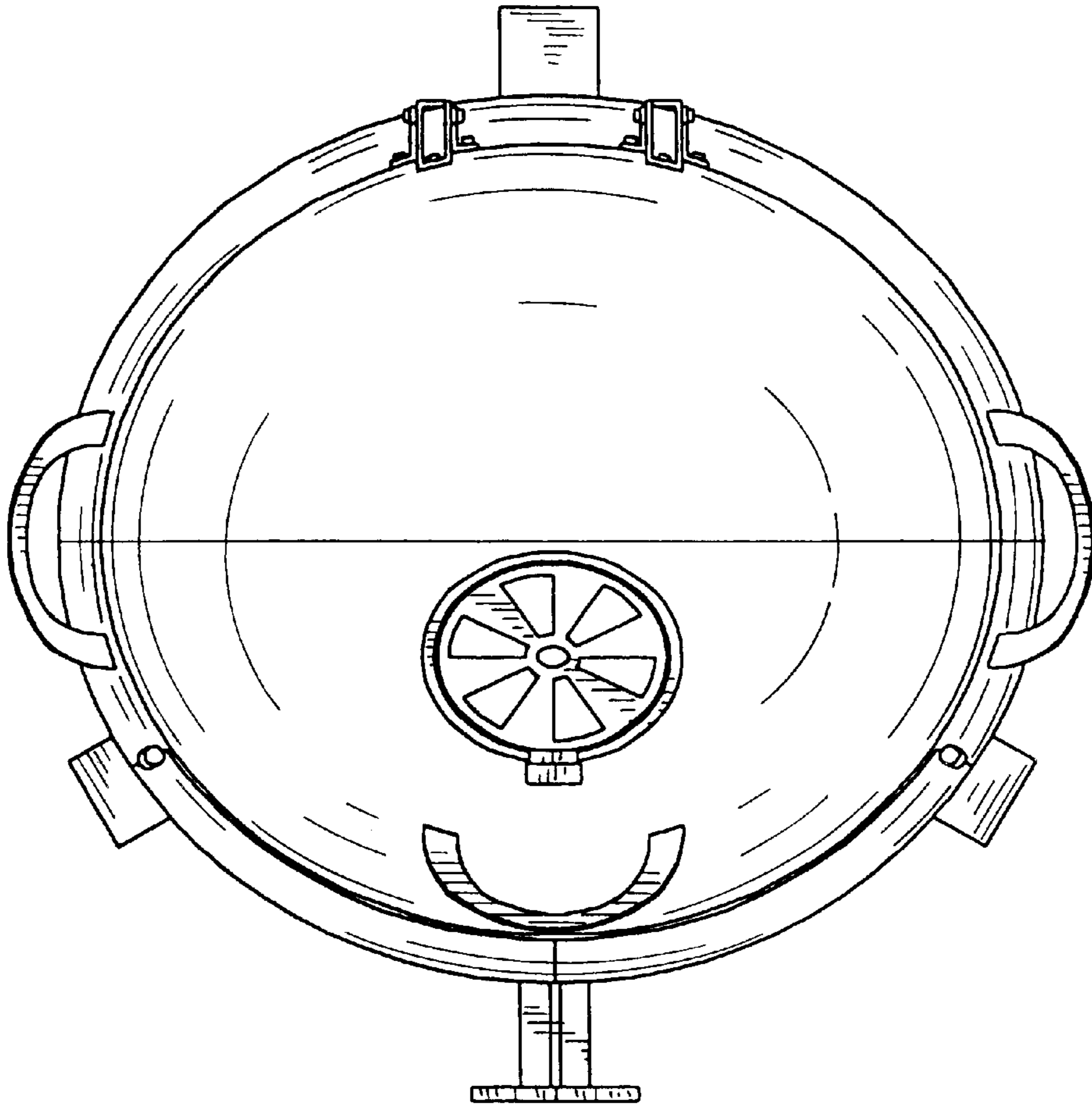


FIG. 5

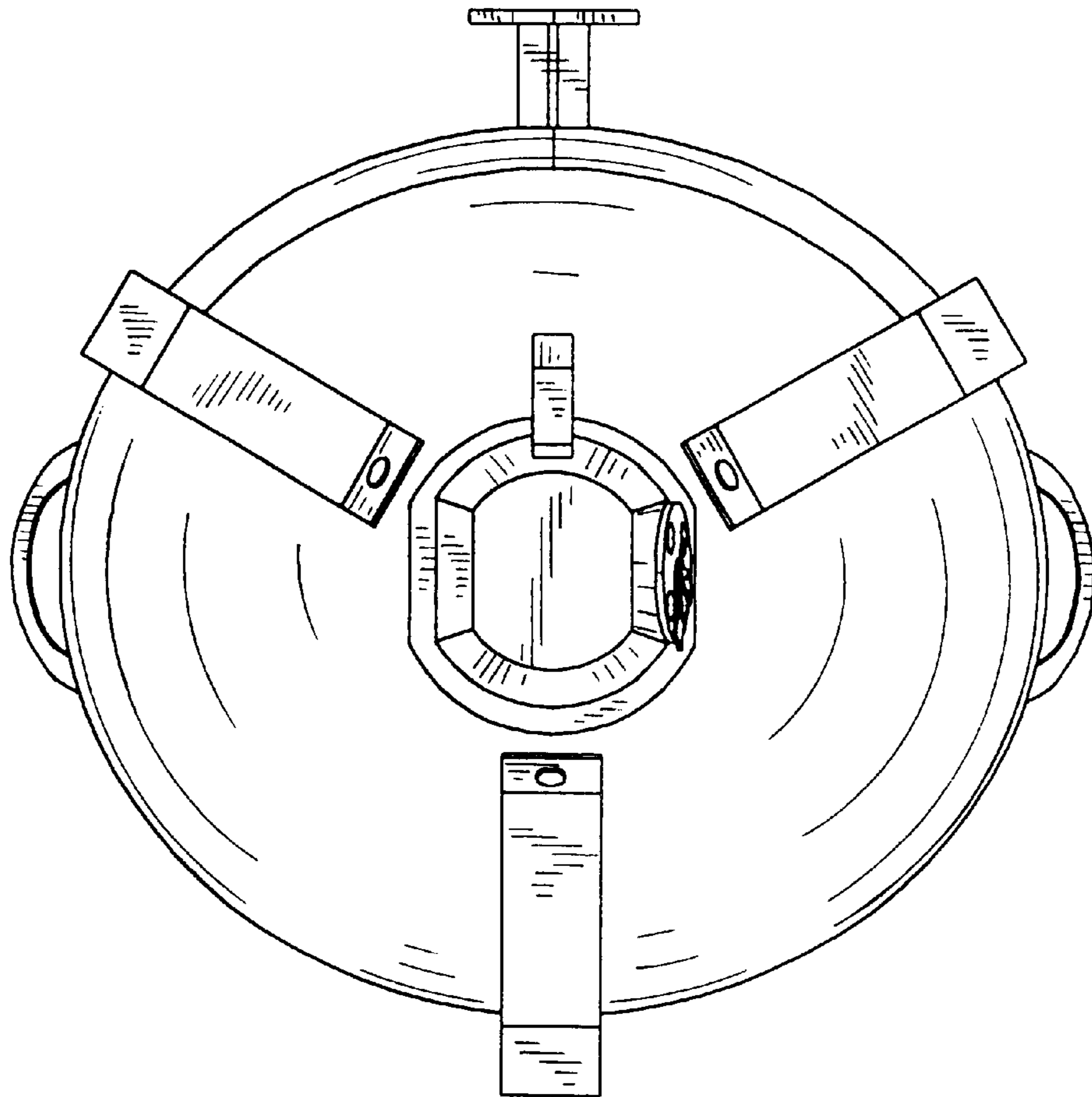


FIG.6

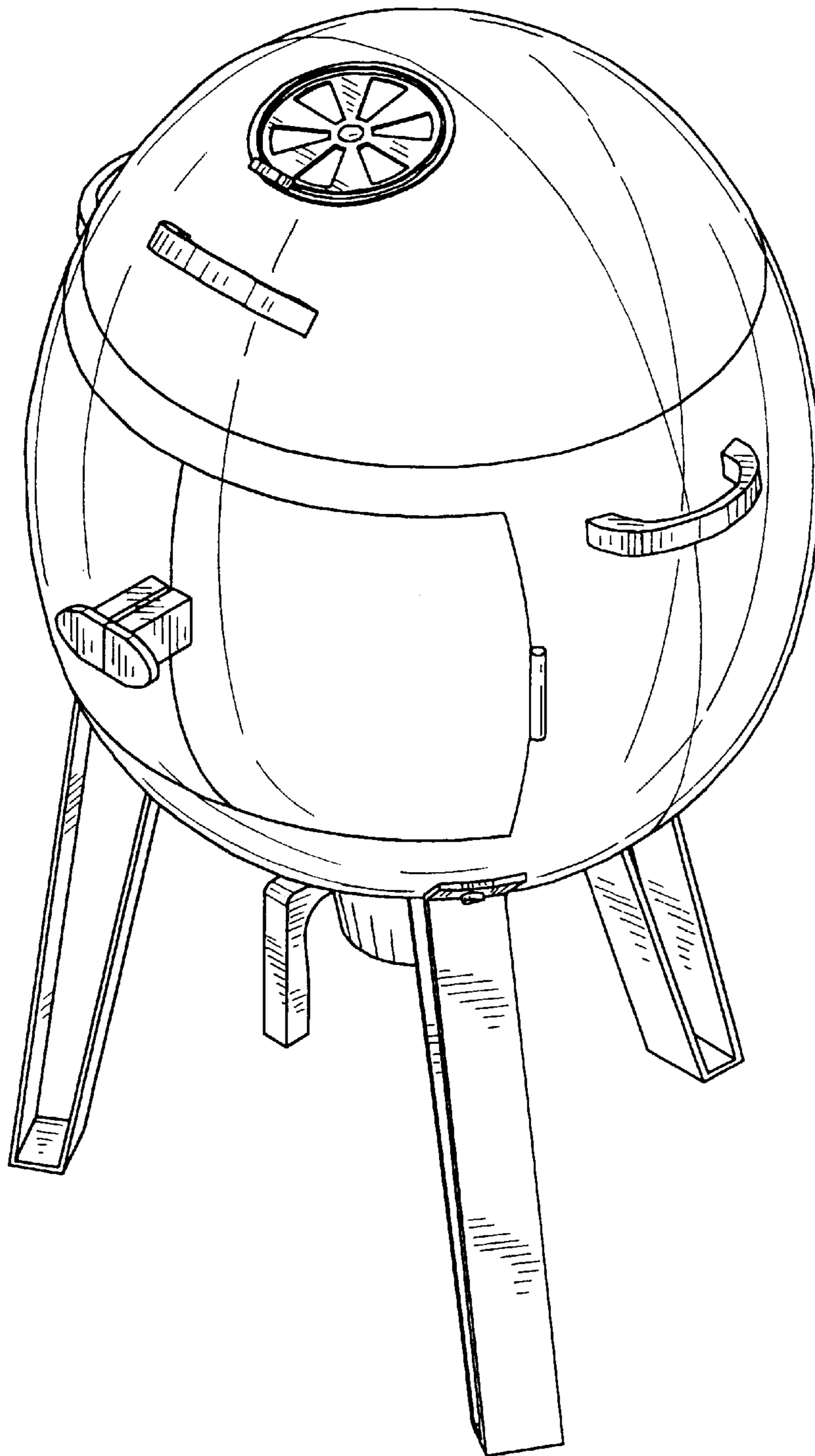


FIG. 7



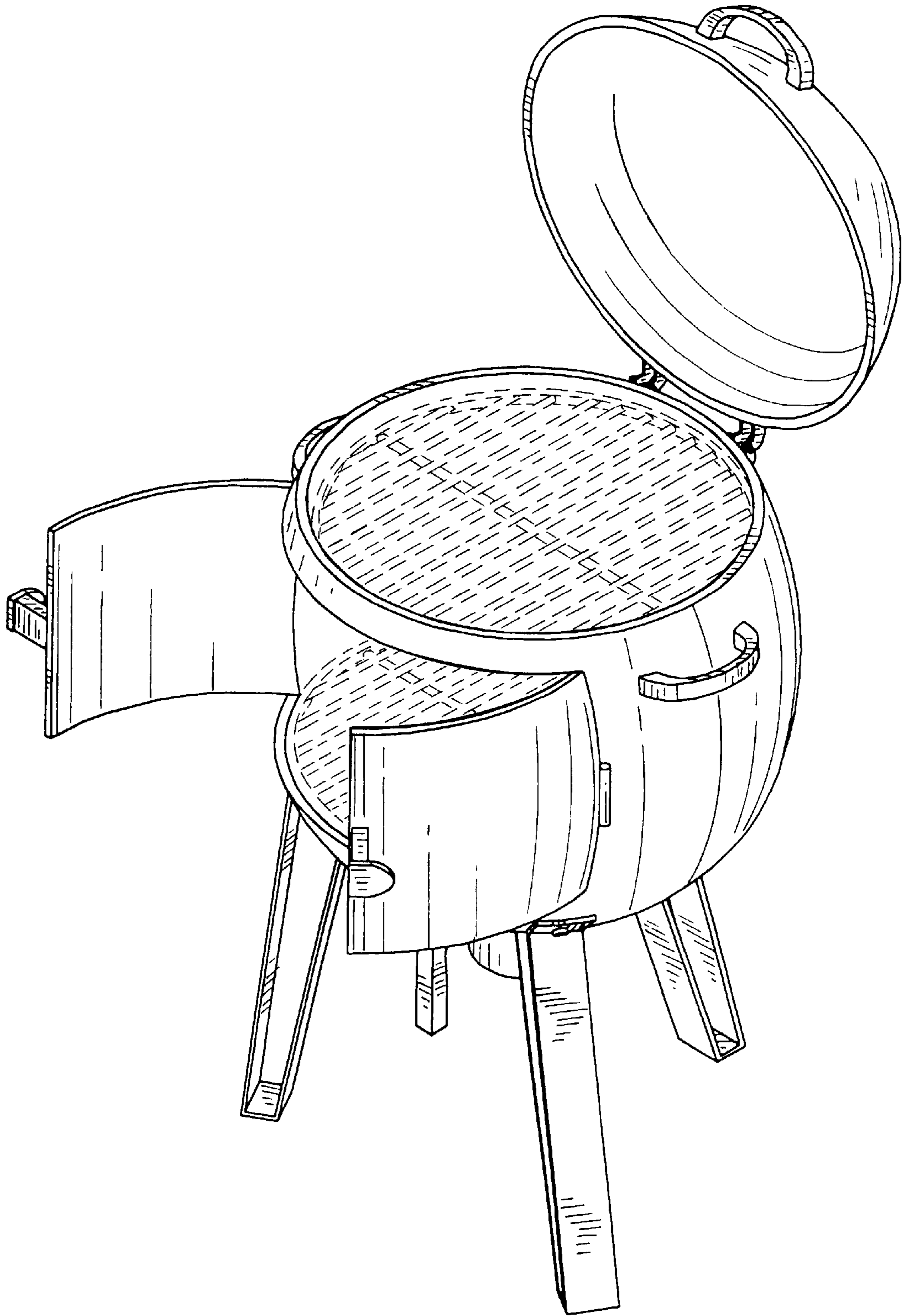


FIG. 8