



US00D463190S

(12) **United States Design Patent**
Kollegian

(10) **Patent No.:** **US D463,190 S**

(45) **Date of Patent:** **** Sep. 24, 2002**

(54) **HOLDER FOR COMPACT DISCS**

D445,287 S * 7/2001 Kujala D6/629

(75) Inventor: **Les Kollegian**, 8203 Via Mallorca, La Jolla, CA (US) 92037

* cited by examiner

Primary Examiner—Cathron C. Brooks

(73) Assignee: **Les Kollegian**, La Jolla, CA (US)

(57) **CLAIM**

(**) Term: **14 Years**

The ornamental design for a holder for compact discs, as shown and described.

(21) Appl. No.: **29/144,784**

DESCRIPTION

(22) Filed: **Jul. 10, 2001**

(51) **LOC (7) Cl.** **06-04**

(52) **U.S. Cl.** **D6/630**

(58) **Field of Search** D6/407, 629, 630, D6/467, 468, 450, 453, 474, 462, 465, 466; 206/307, 307.1, 308.1; 211/40, 41.1, 41.2, 41.12; 312/9.1, 9.55, 9.64, 348.3

FIG. 1 is a front left side perspective view of a disk holder illustrating my new design;

FIG. 2 is a front right side perspective view thereof;

FIG. 3 is bottom left side perspective view thereof;

FIG. 4 is a bottom right side perspective view thereof;

FIG. 5 is a left side view thereof;

FIG. 6 is a right side view thereof;

FIG. 7 is a top view thereof;

FIG. 8 is a bottom view thereof;

FIG. 9 is a rear left side perspective view thereof; and,

FIG. 10 is a rear right side perspective view thereof.

(56) **References Cited**

U.S. PATENT DOCUMENTS

D443,790 S * 6/2001 Bennett D6/629

1 Claim, 5 Drawing Sheets

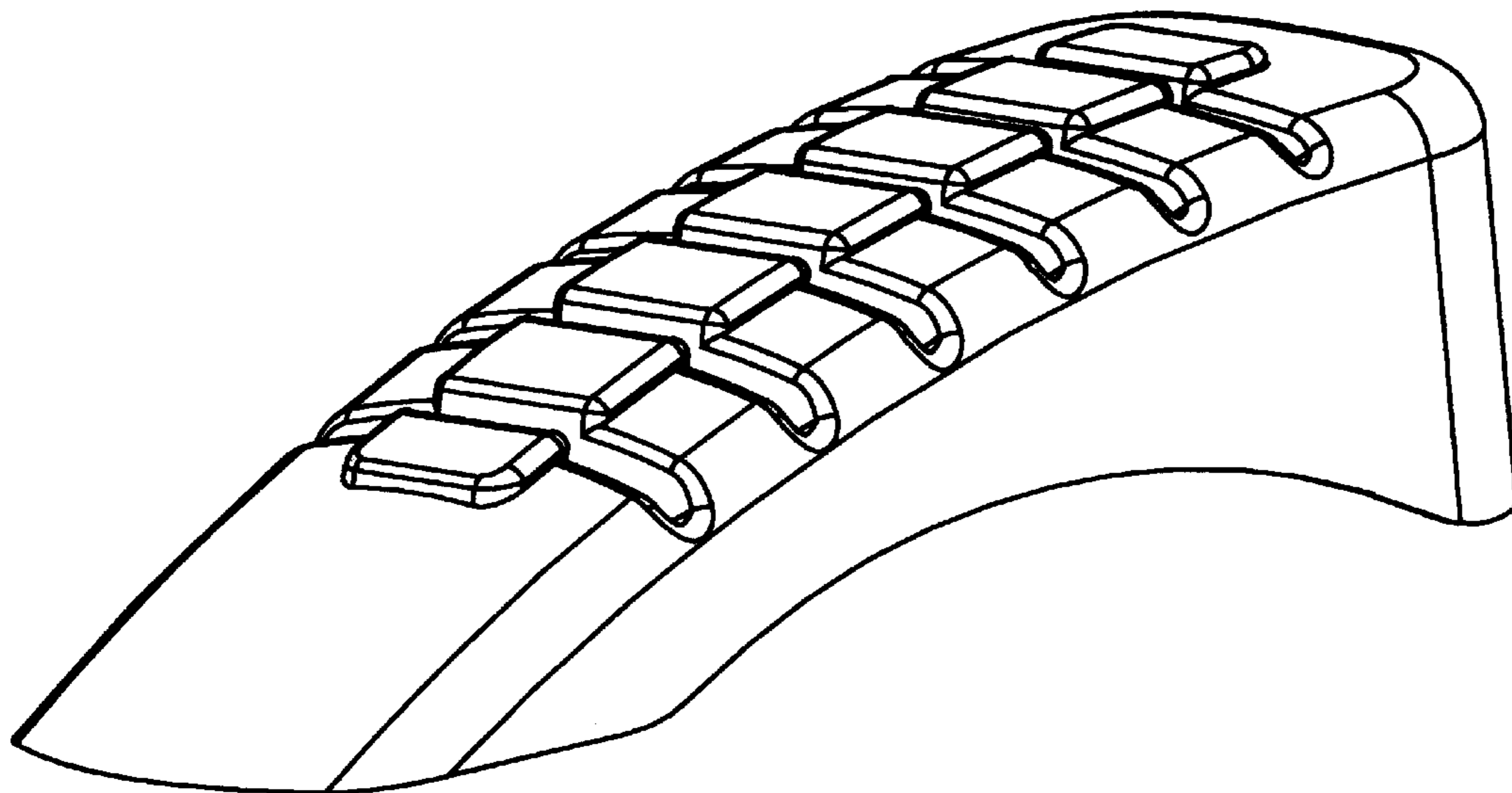


FIG. 1

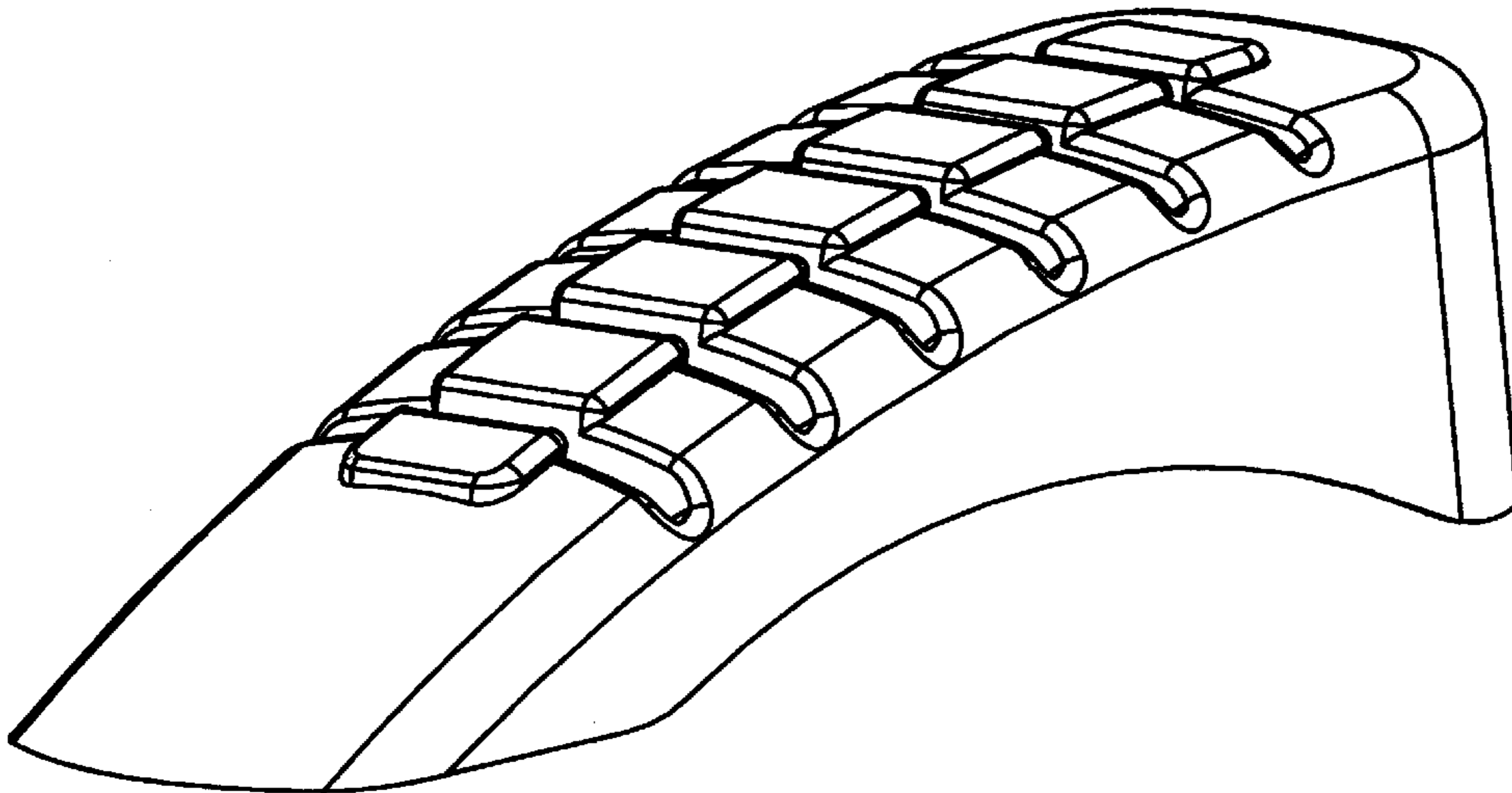


FIG. 2

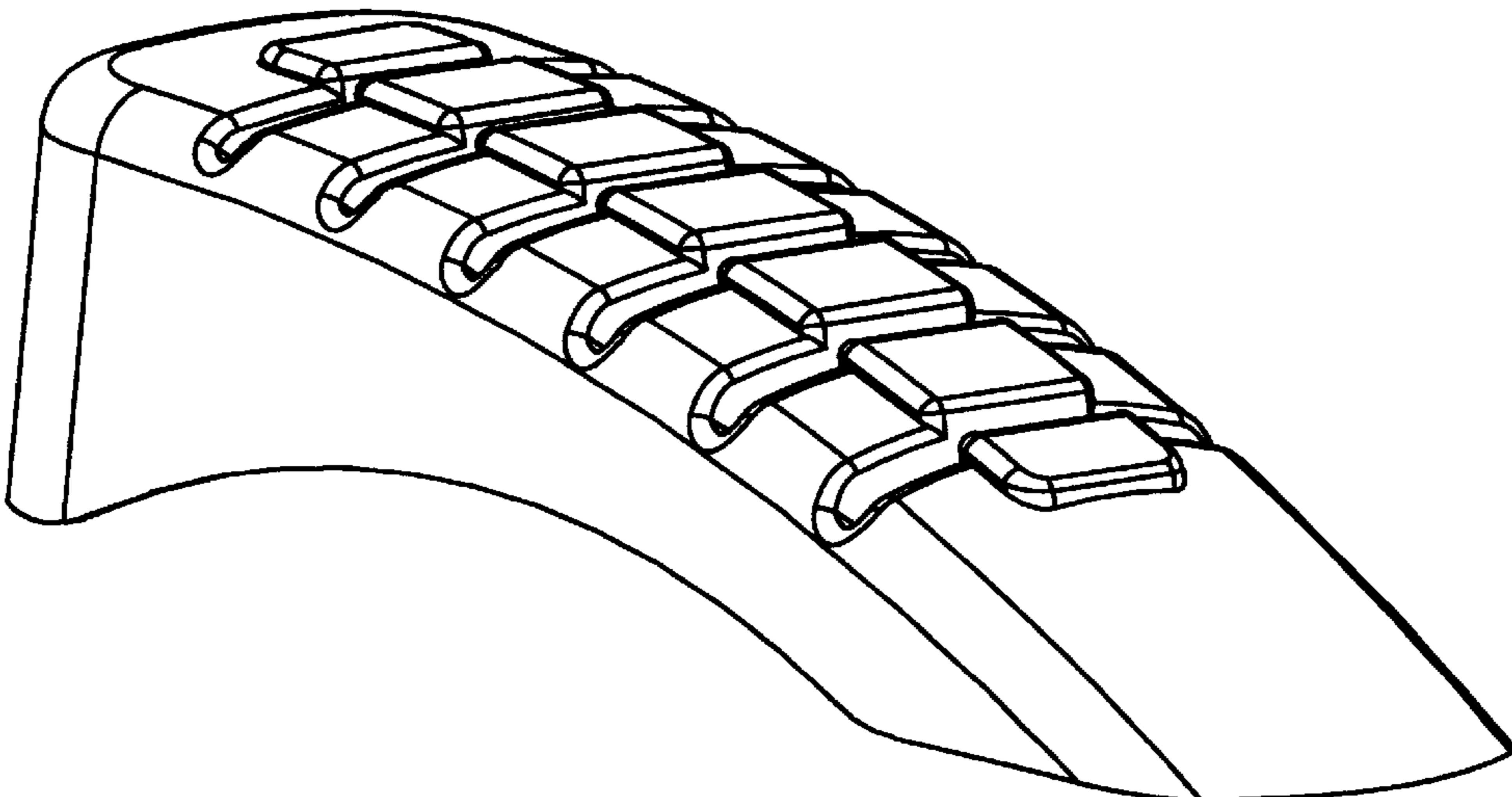


FIG. 3

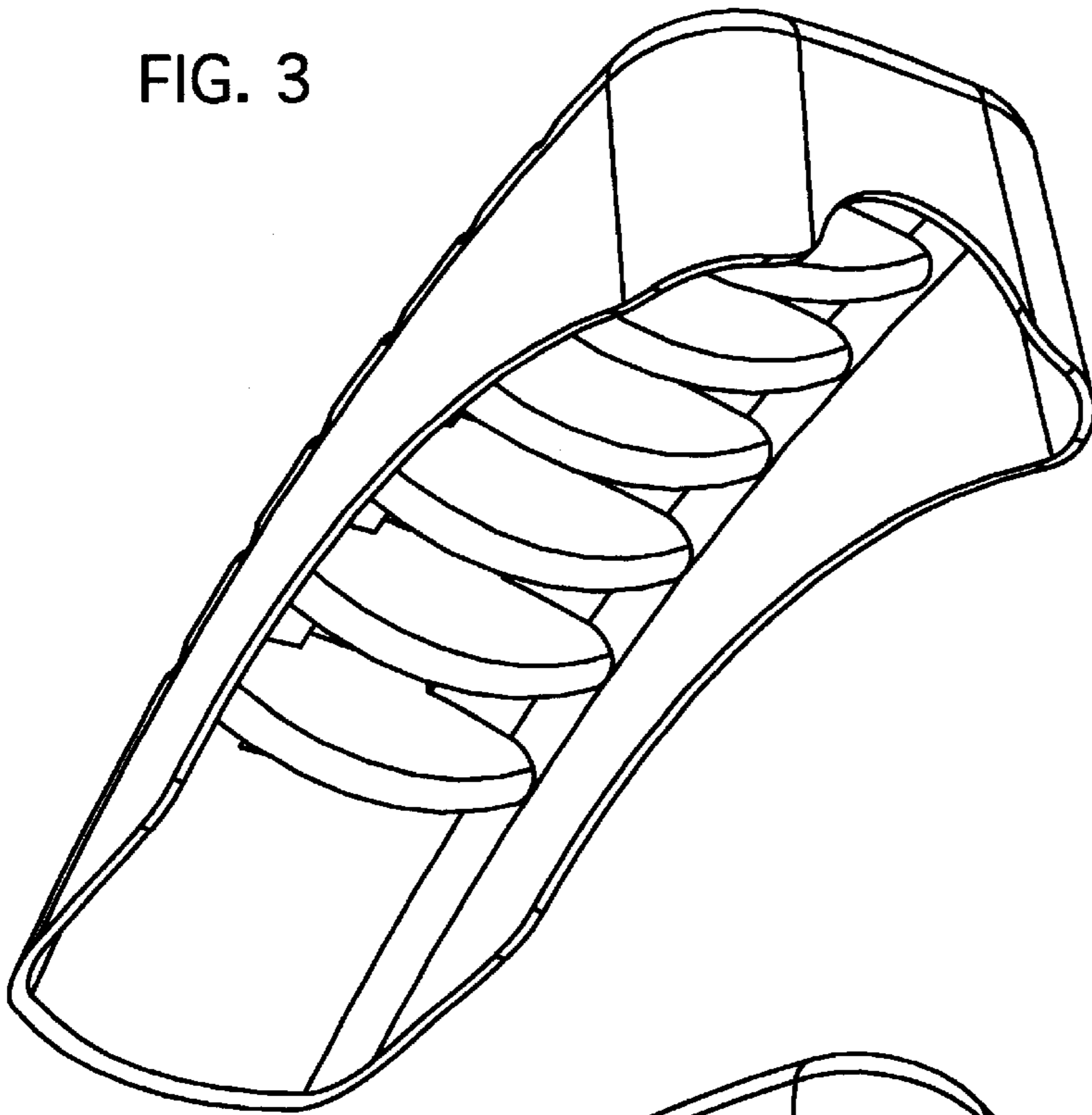


FIG. 4

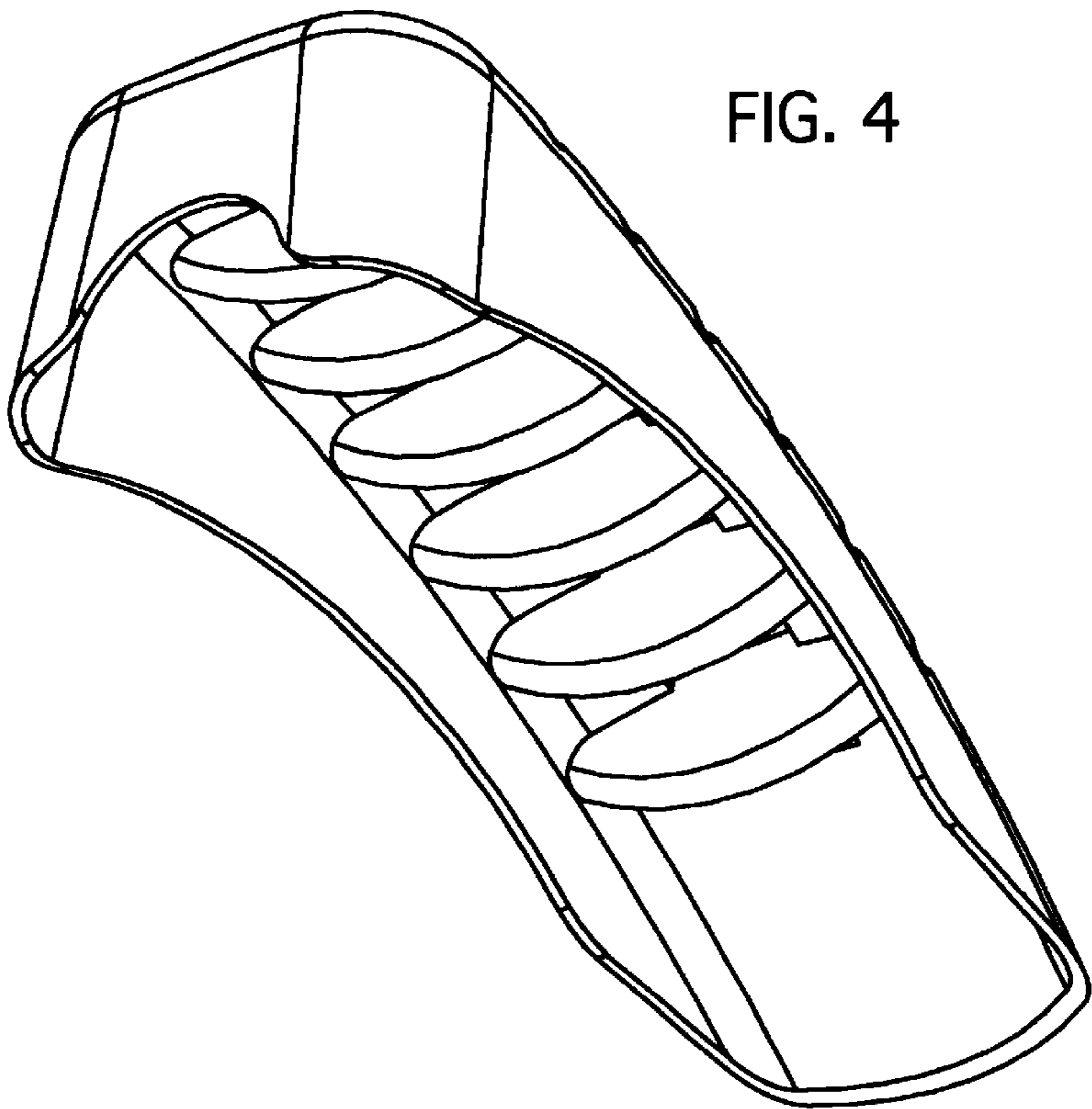


FIG. 5

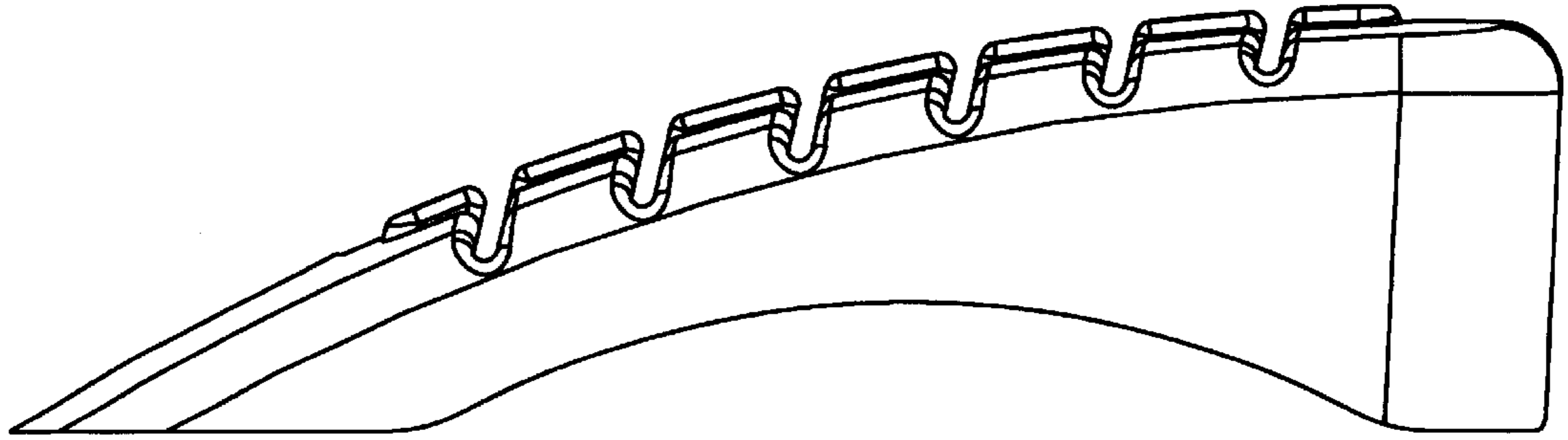


FIG. 6

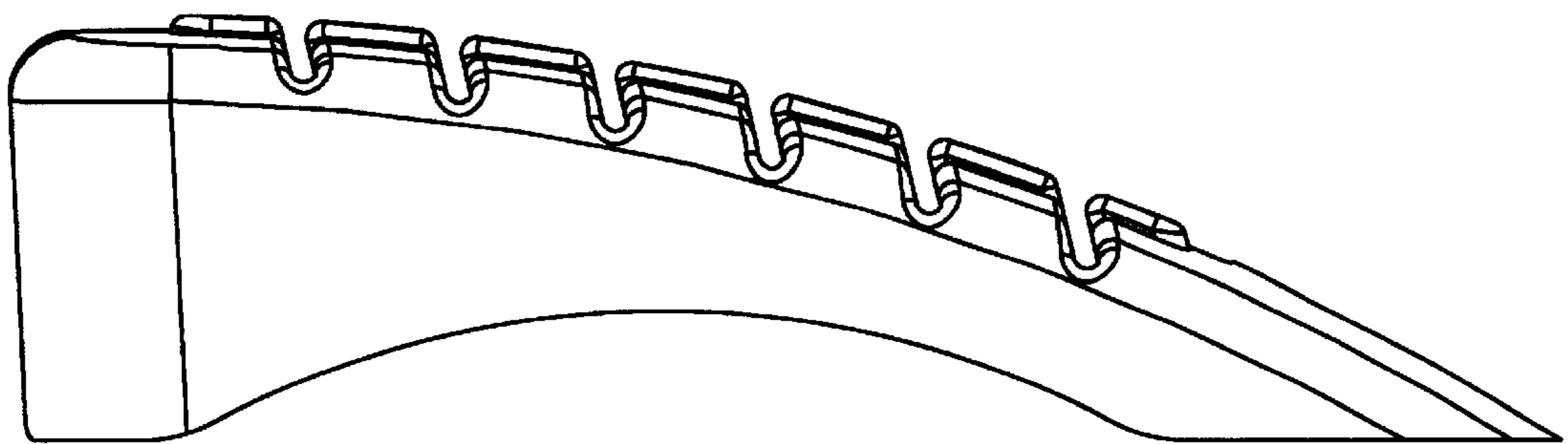


FIG. 7

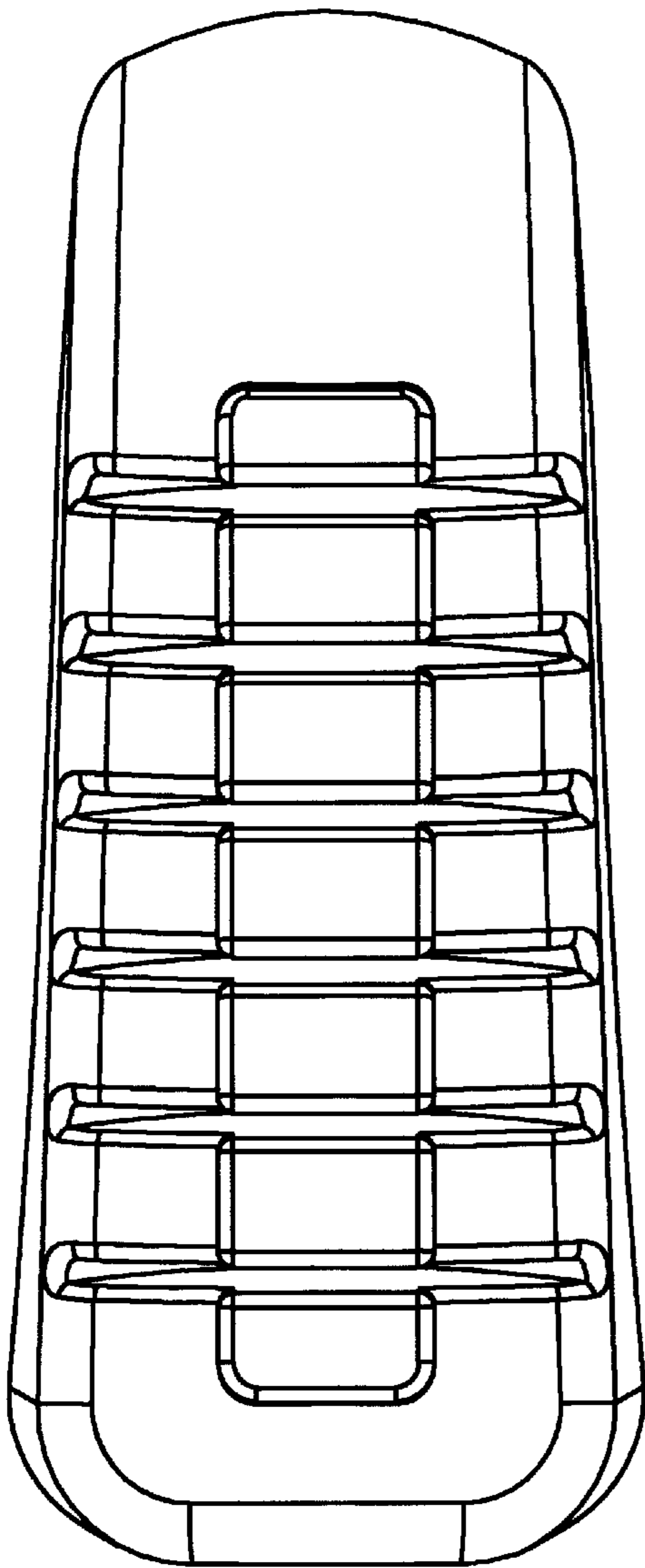


FIG. 8

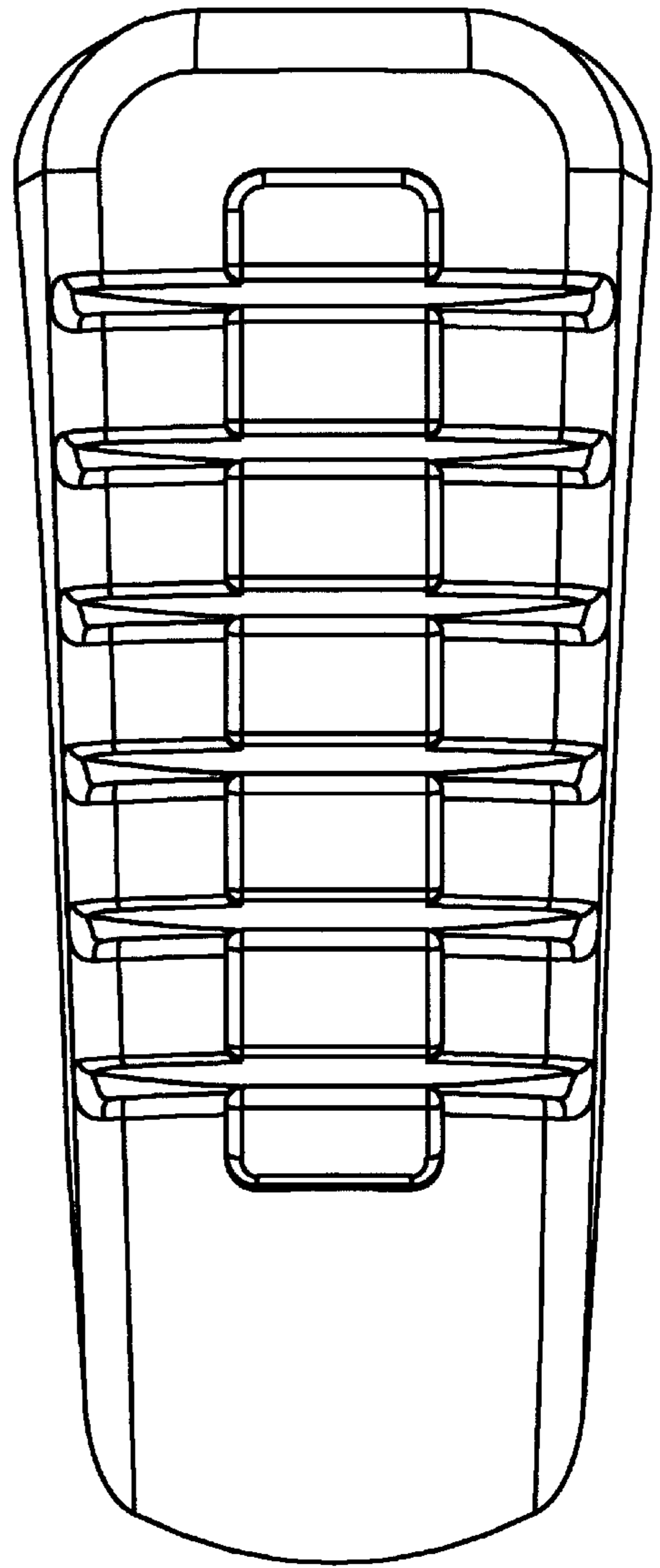


FIG. 9

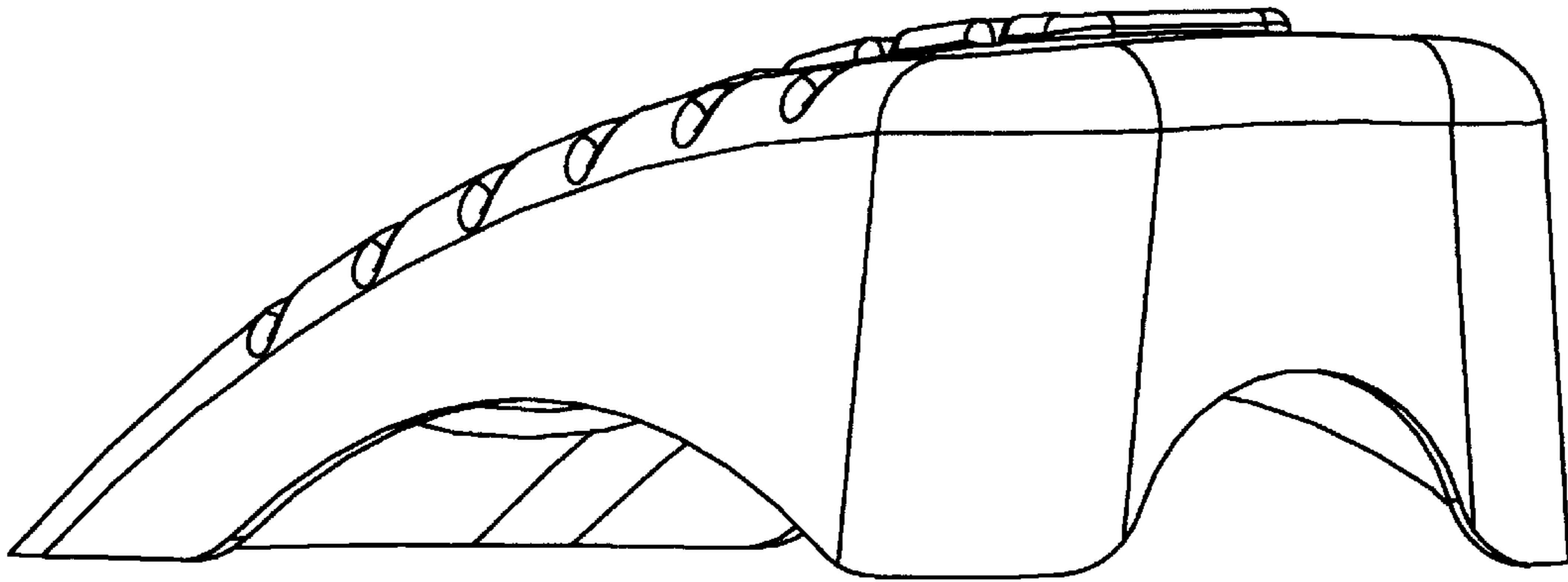


FIG. 10

