



US00D463189S

(12) **United States Design Patent**
Kwok

(10) **Patent No.:** **US D463,189 S**

(45) **Date of Patent:** **** Sep. 24, 2002**

(54) **RACK FOR COMPACT DISKS**

D436,490 S 1/2001 Kwok

D453,654 S * 2/2002 Kwok D6/630

(75) Inventor: **Tat Cheong Kwok**, Hong Kong (HK)

* cited by examiner

(73) Assignee: **Kwok's Brother Manufacturing Limited**, Chaiwan (HK)

Primary Examiner—Cathron C. Brooks

(74) *Attorney, Agent, or Firm*—Duane Morris LLP

(**) Term: **14 Years**

(57) **CLAIM**

(21) Appl. No.: **29/132,989**

The ornamental design for a rack for compact disks, as shown and described.

(22) Filed: **Nov. 20, 2000**

(30) **Foreign Application Priority Data**

May 18, 2000 (DE) 400 04 996

(51) **LOC (7) Cl.** **06-04**

(52) **U.S. Cl.** **D6/630**

(58) **Field of Search** D6/407, 629, 630,
D6/449, 465, 477, 478, 479, 552; 108/1,
3, 59, 60, 93, 94, 96, 147.11, 147.17, 150;
211/85.3, 34, 36, 42, 50, 70, 90.01, 90.04,
115, 144, 163; 312/9.1, 9.47, 9.48, 9.52,
9.53, 9.54

DESCRIPTION

FIG. 1 is a front perspective view of a rack for compact disks showing my new design;

FIG. 2 is a rear perspective view of the rack for compact disks of FIG. 1;

FIG. 3 is a front elevational view of the rack for compact disks of FIG. 1;

FIG. 4 is a rear elevational view of the rack for compact disks of FIG. 1;

FIG. 5 is a right side elevational view of the rack for compact disks of FIG. 1;

FIG. 6 is a left side elevational view of the rack for compact disks of FIG. 1;

FIG. 7 is a top plan view of the rack for compact disks of FIG. 1; and,

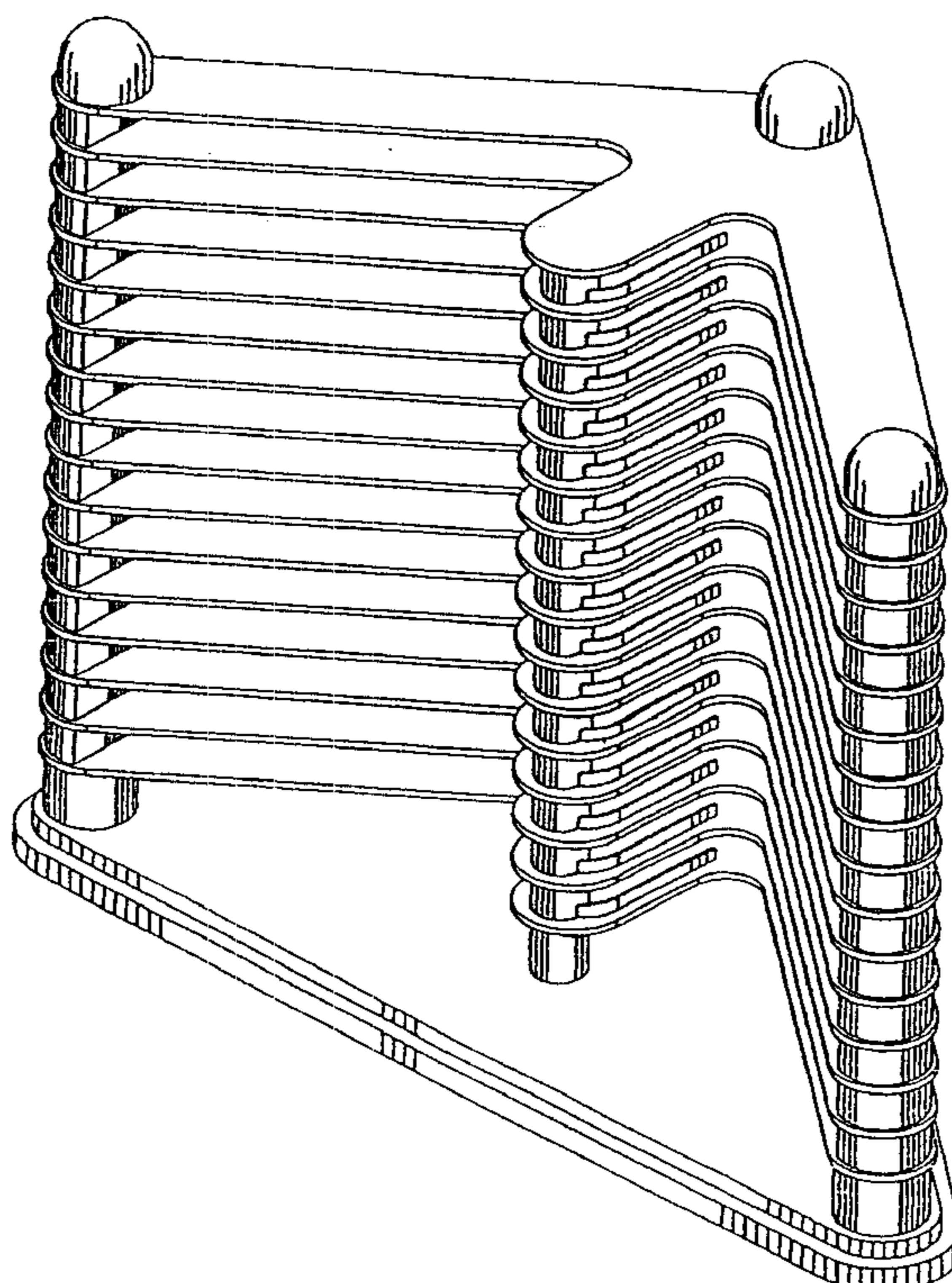
FIG. 8 is a top plan view of an individual layer of the rack for compact disks of FIG. 1 taken along line 8—8 of FIG. 3, it being understood that the design for each layer of the rack for compact disks is identical thereto.

(56) **References Cited**

U.S. PATENT DOCUMENTS

5,788,088 A	8/1998	Kao	
D405,310 S	2/1999	Cheris et al.	
D412,805 S	* 8/1999	Cheris et al. D6/630
D429,439 S	8/2000	Mok	
6,126,020 A	10/2000	Mok	
D435,189 S	12/2000	Mok	

1 Claim, 7 Drawing Sheets



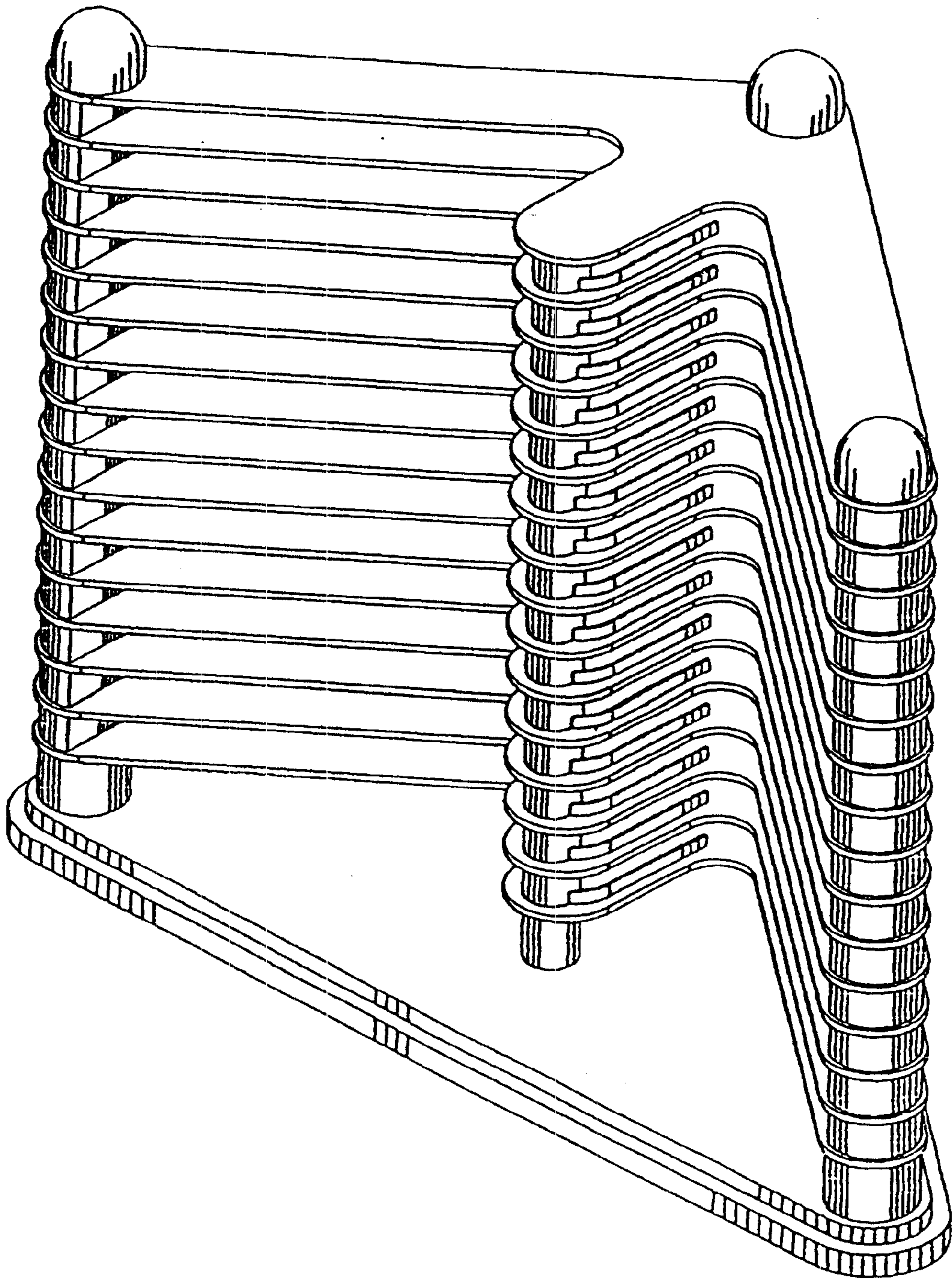


Figure 1

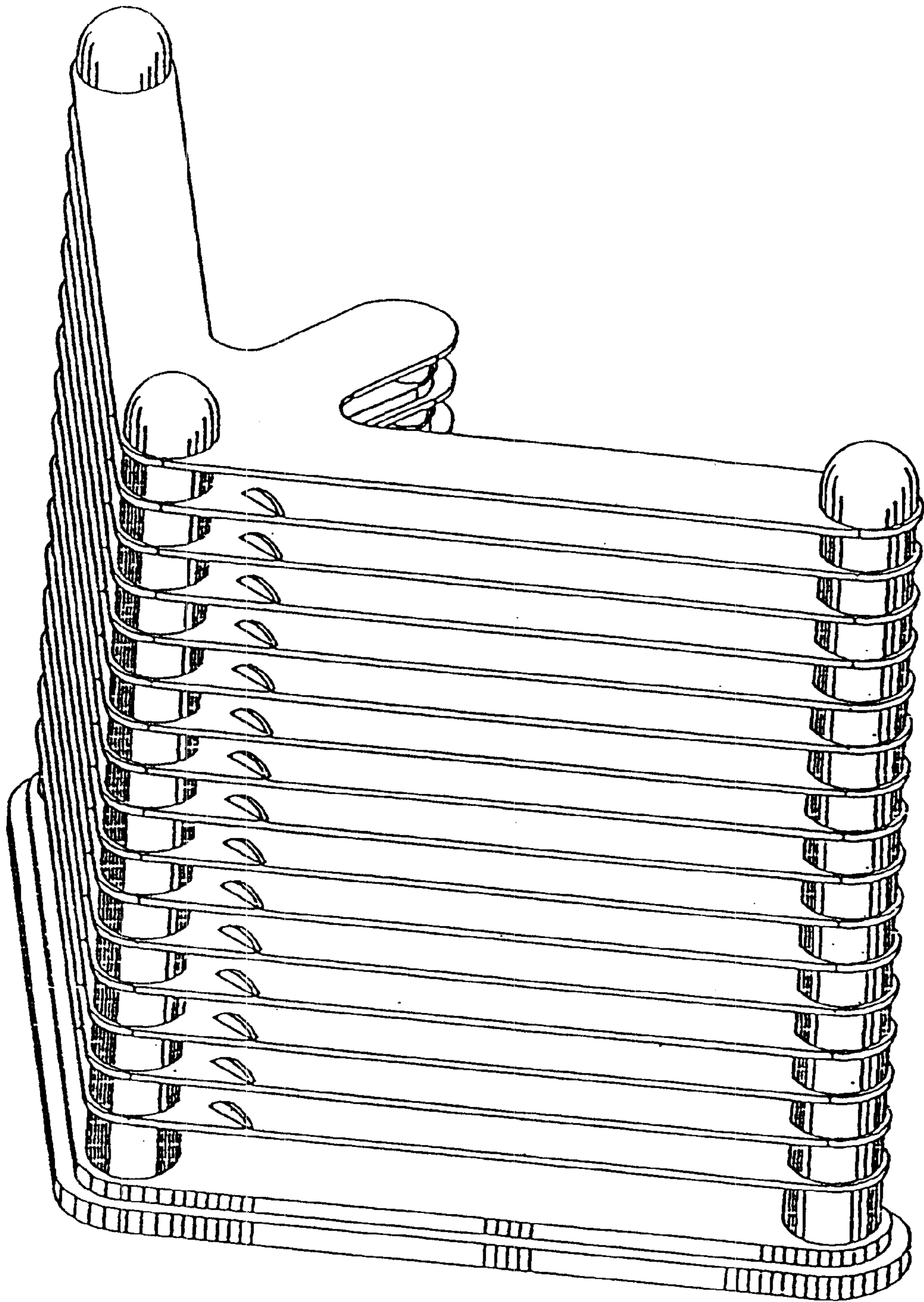


Figure 2

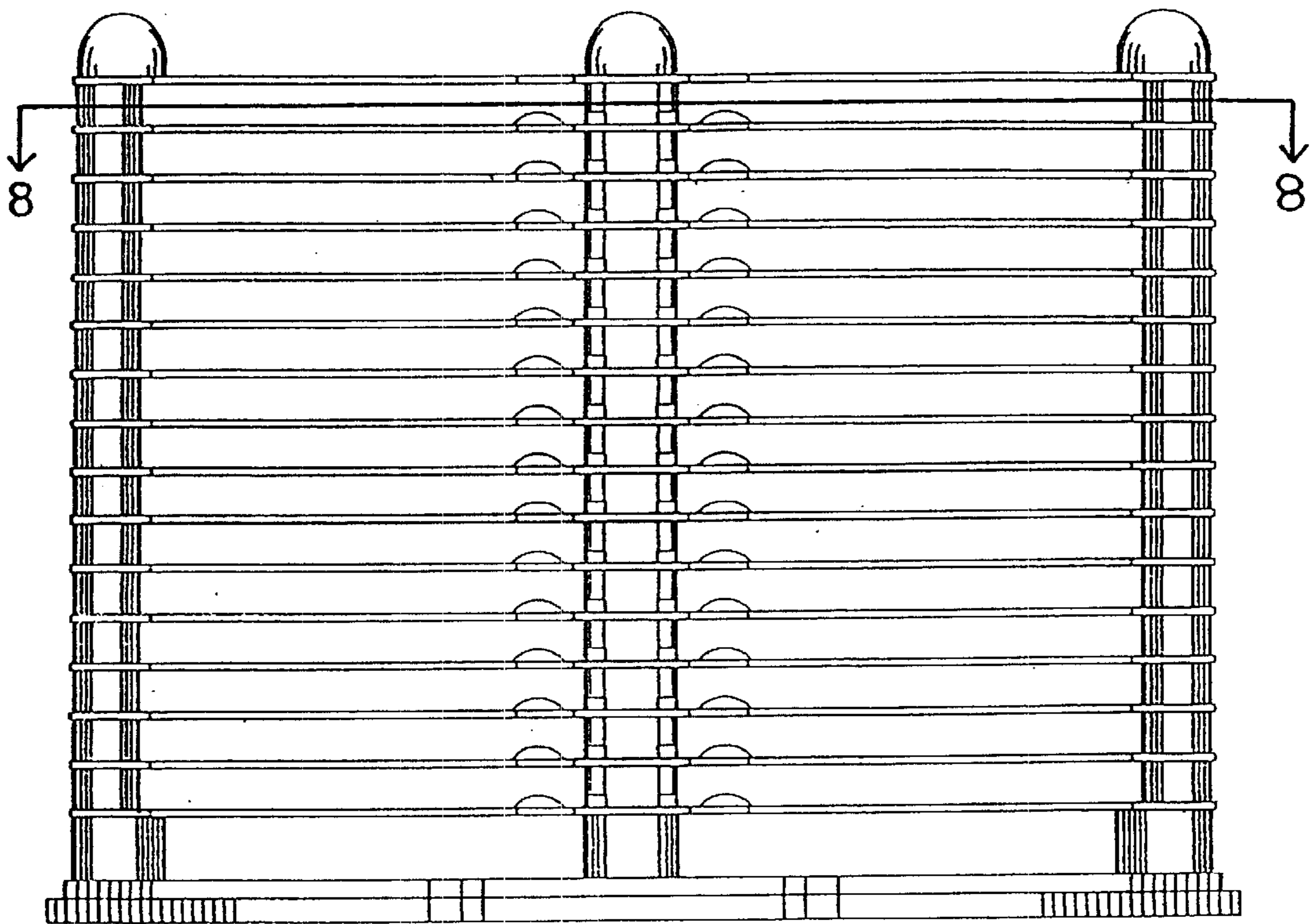


Figure 3

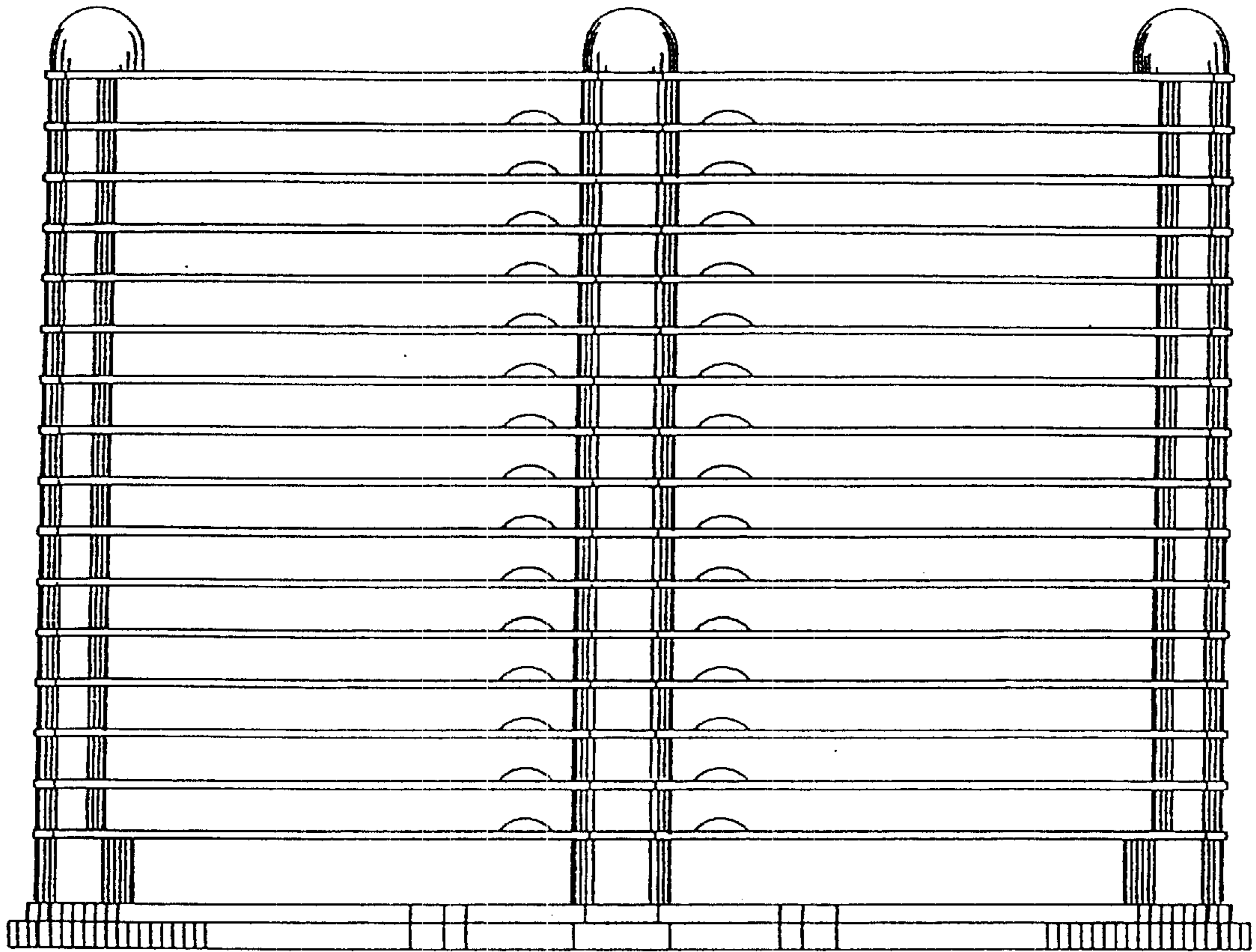


Figure 4

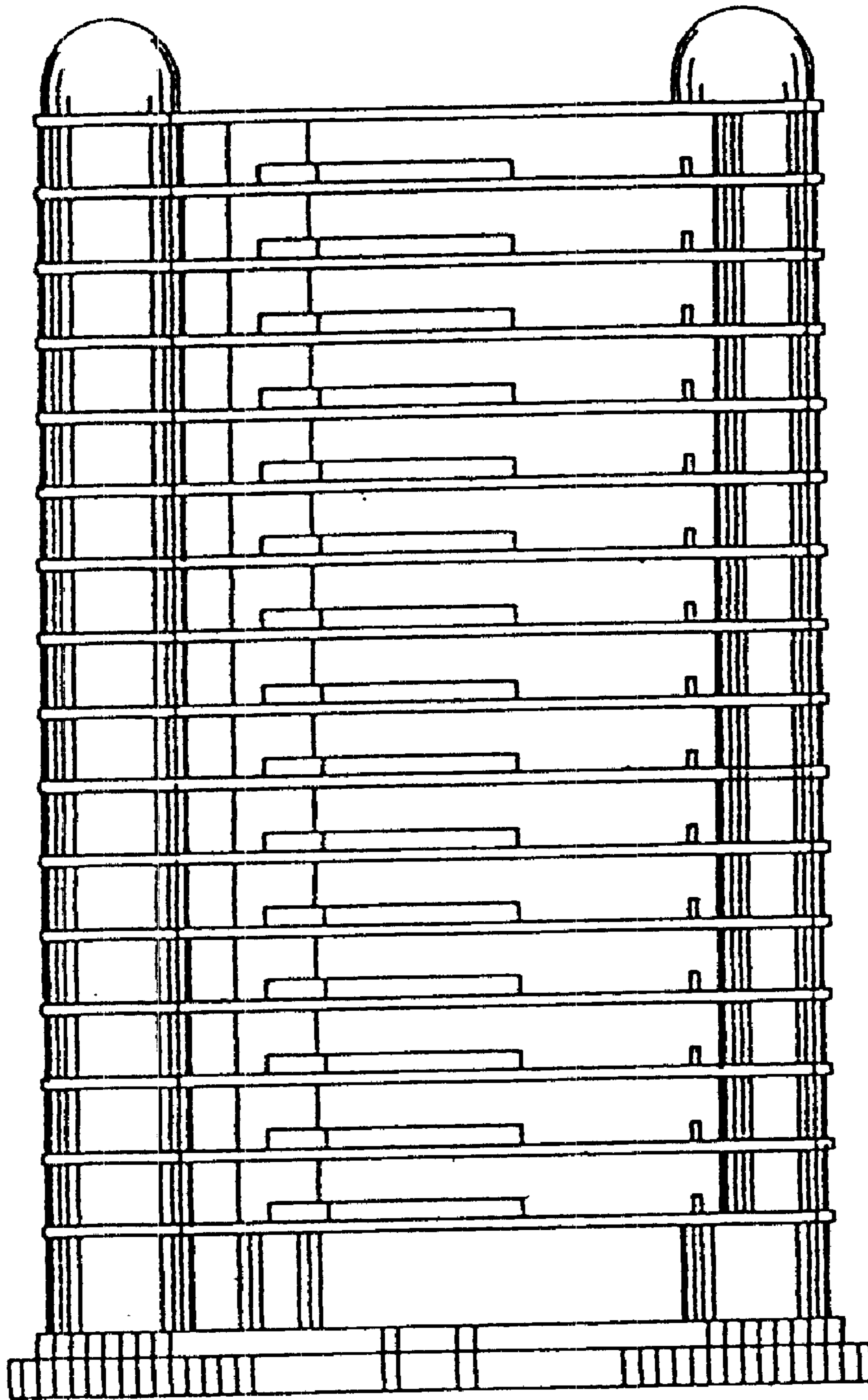


Figure 5

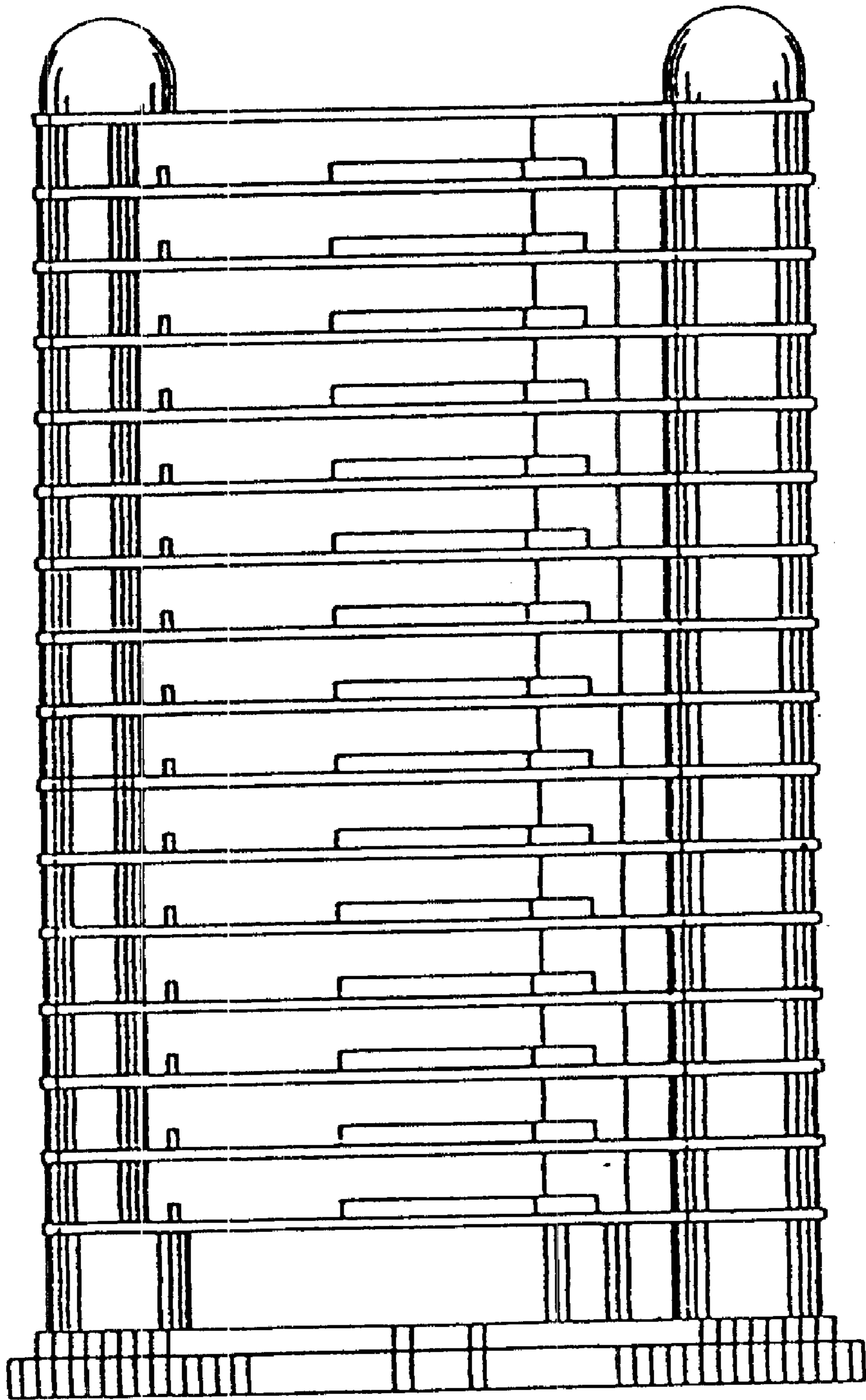


Figure 6

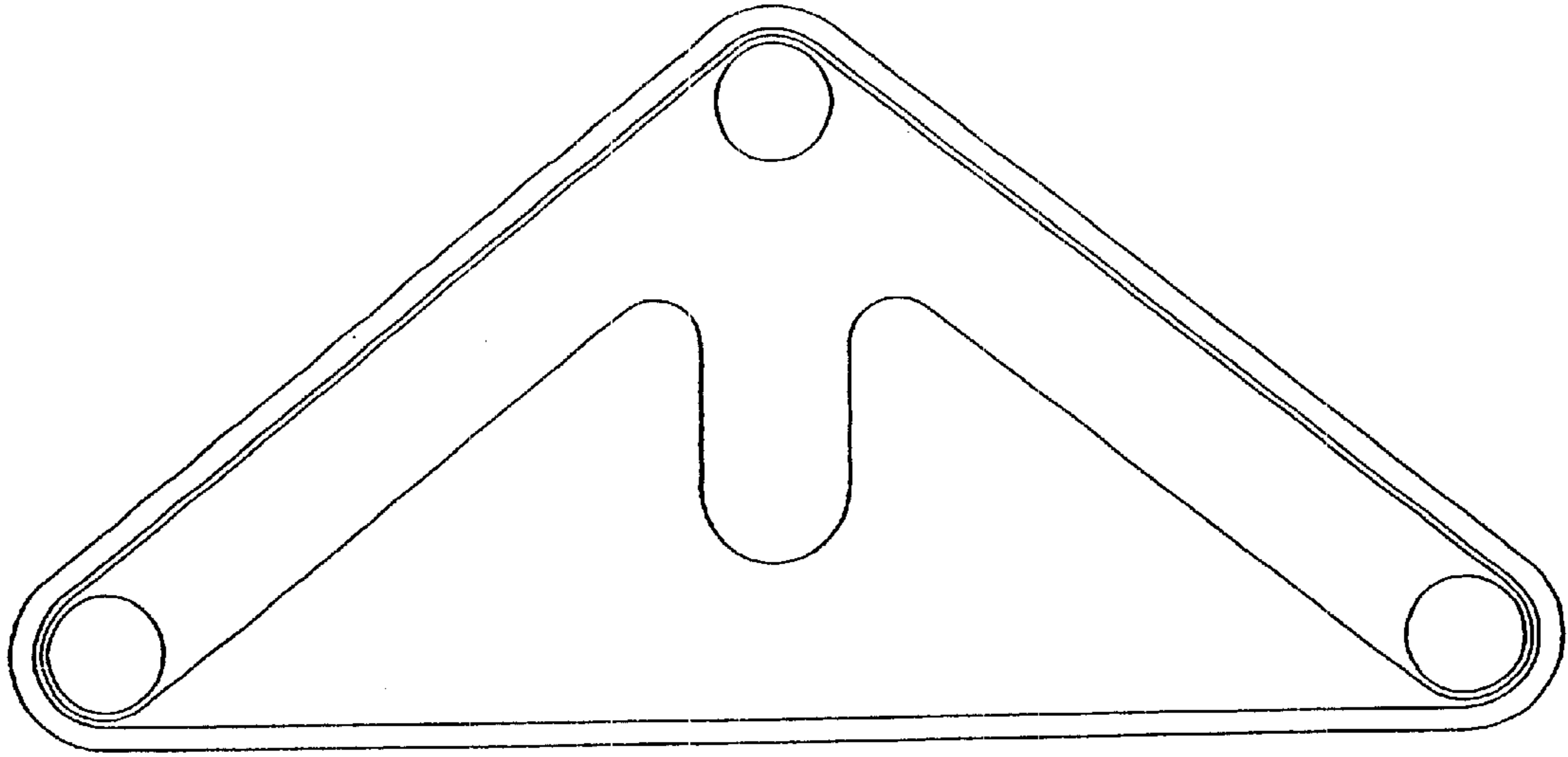


Figure 7

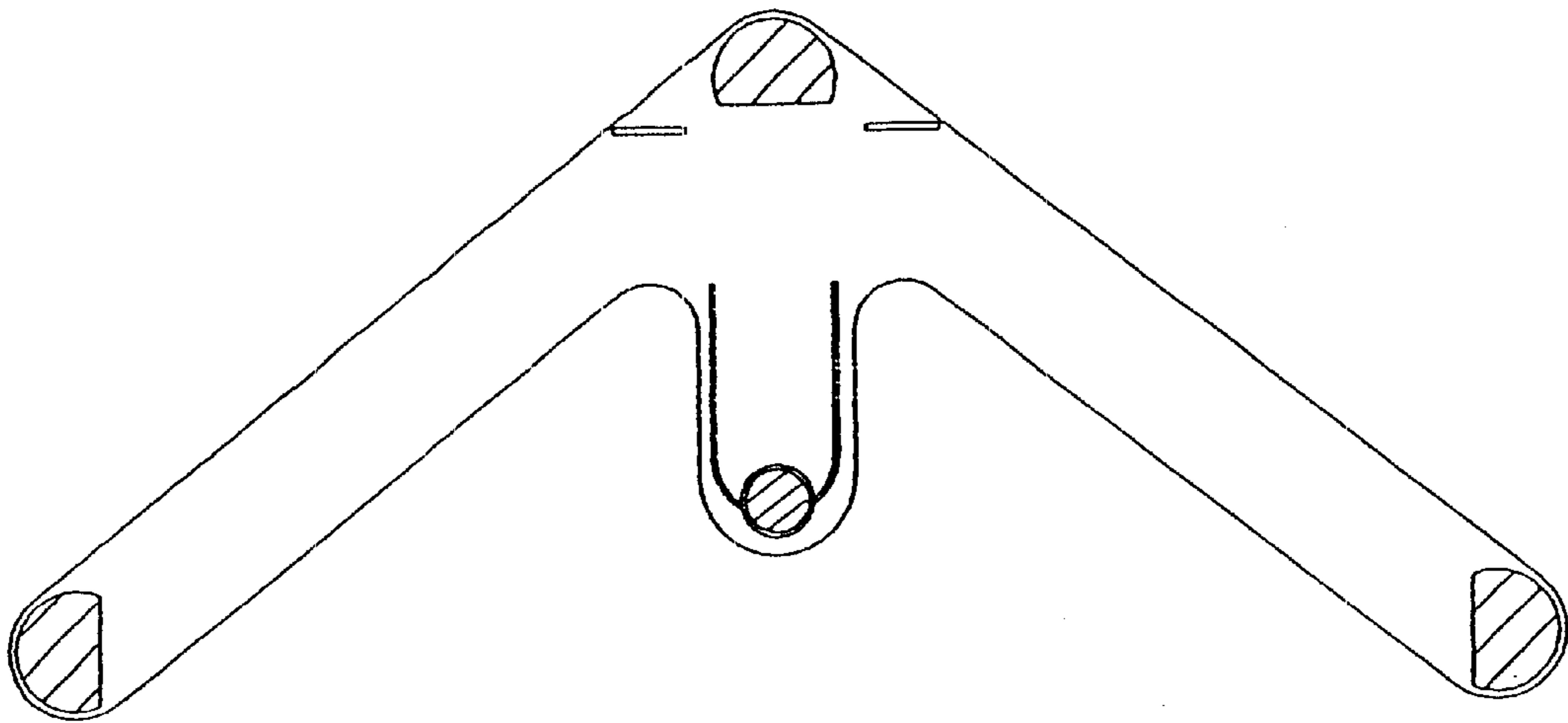


Figure 8