



US00D463188S

(12) **United States Design Patent**  
**Miller et al.**

(10) **Patent No.:** **US D463,188 S**

(45) **Date of Patent:** **\*\* Sep. 24, 2002**

(54) **BEVERAGE DOOR MERCHANDISER**

(75) Inventors: **Donald J. Miller**, Belleville, IL (US);  
**Maynard Johnson**, Ballwin, MO (US)

(73) Assignee: **Paul Flum Ideas, Inc.**, St. Louis, MO (US)

(\*\*) Term: **14 Years**

(21) Appl. No.: **29/140,214**

(22) Filed: **Apr. 13, 2001**

(51) **LOC (7) Cl.** ..... **06-04**

(52) **U.S. Cl.** ..... **D6/566**

(58) **Field of Search** ..... D6/512, 553, 566,  
D6/567, 569, 570; 206/389, 315.9; 211/13.1,  
10, 86.01, 87.01, 106, 181.1; 221/45, 282-286;  
222/173, 180, 181.1; 248/302

(56) **References Cited**

**U.S. PATENT DOCUMENTS**

D198,350 S	*	6/1964	Bomar, Jr.	.....	D6/566 X
D200,943 S	*	4/1965	Bleek	.....	D6/566
D236,050 S	*	7/1975	Folberth	.....	D6/566
D259,159 S	*	5/1981	Graybill	.....	D6/566
4,416,380 A		11/1983	Flum		
4,984,693 A		1/1991	Belokin, Jr. et al.		
5,351,841 A		10/1994	Belokin et al.		

5,358,128 A		10/1994	Belokin et al.	
5,381,990 A		1/1995	Belokin et al.	
D369,483 S	*	5/1996	Kandel	..... D6/465
5,547,088 A		8/1996	Belokin et al.	
D389,689 S	*	1/1998	Ballack	..... D6/566

**OTHER PUBLICATIONS**

Martin Paul, Inc., *Hi-Vis for Glass Cooler Doors & Windows*, Denton, Texas, U.S.A.

\* cited by examiner

*Primary Examiner*—Brian N. Vinson

(74) *Attorney, Agent, or Firm*—Blackwell Sanders Peper Martin LLP

(57) **CLAIM**

The ornamental design for a beverage door merchandiser, as shown and described.

**DESCRIPTION**

FIG. 1 is a right side elevational view of a beverage door merchandiser showing my new design.

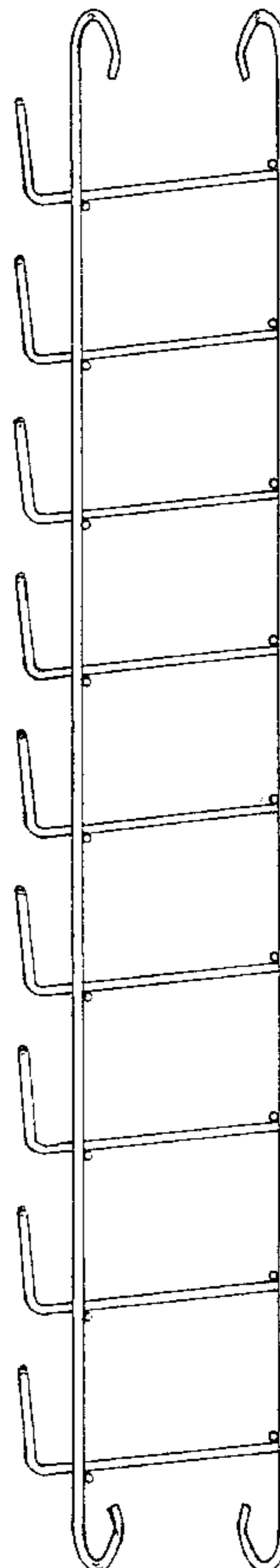
FIG. 2 is a front elevational view thereof, the rear elevational view being a mirror image thereof.

FIG. 3 is a left side elevational view thereof.

FIG. 4 is a top plan view thereof; and,

FIG. 5 is a bottom plan view thereof.

**1 Claim, 2 Drawing Sheets**



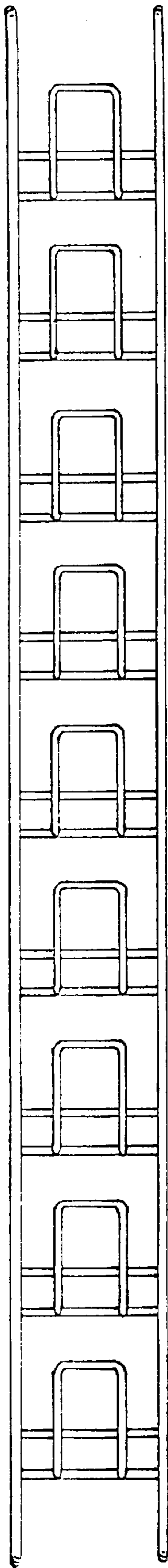


Fig. 3

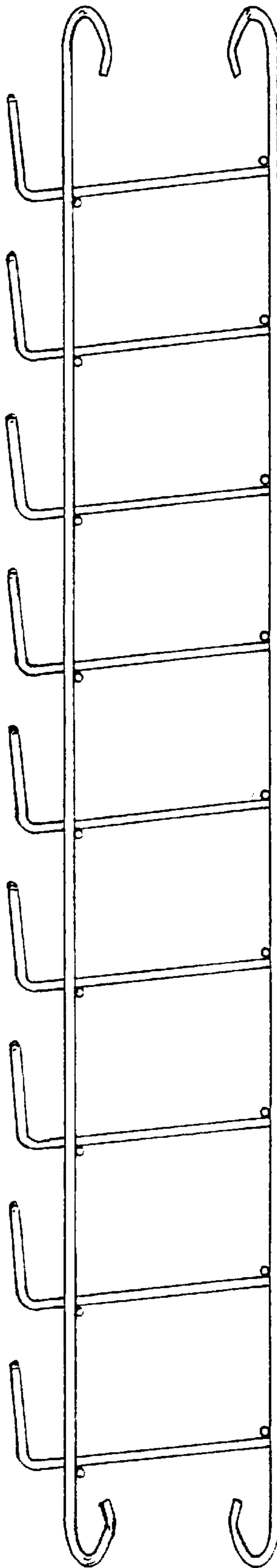


Fig. 2

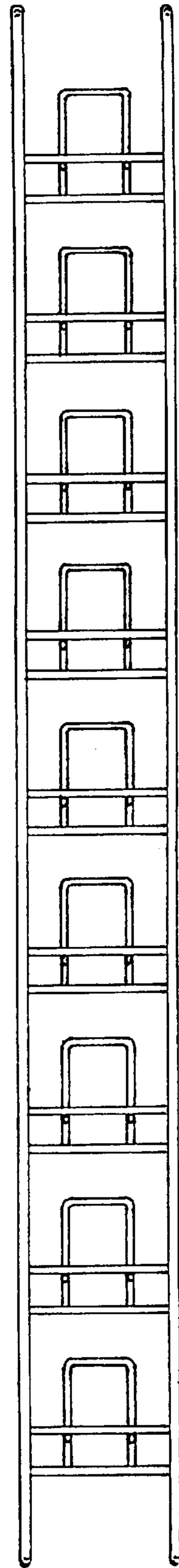
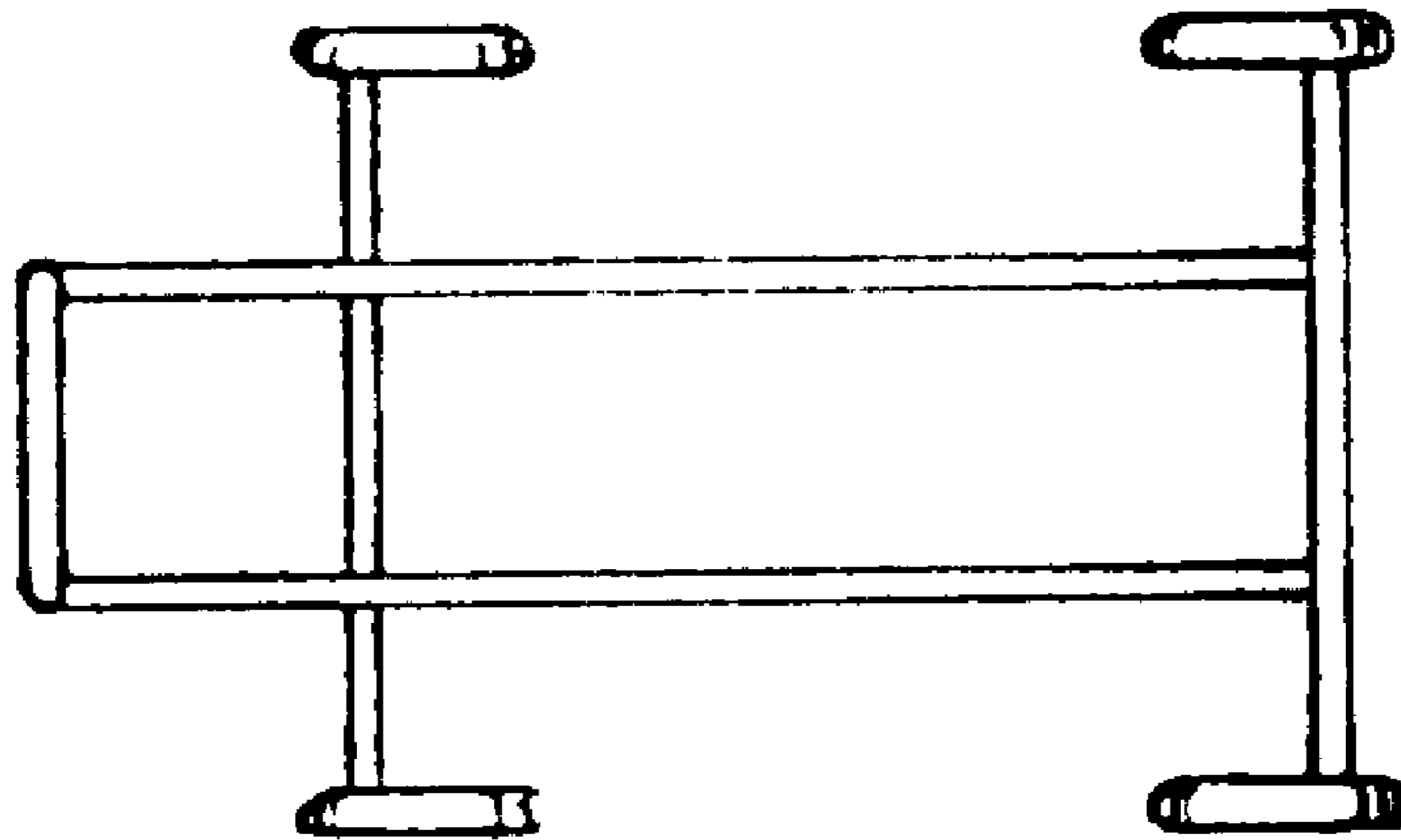
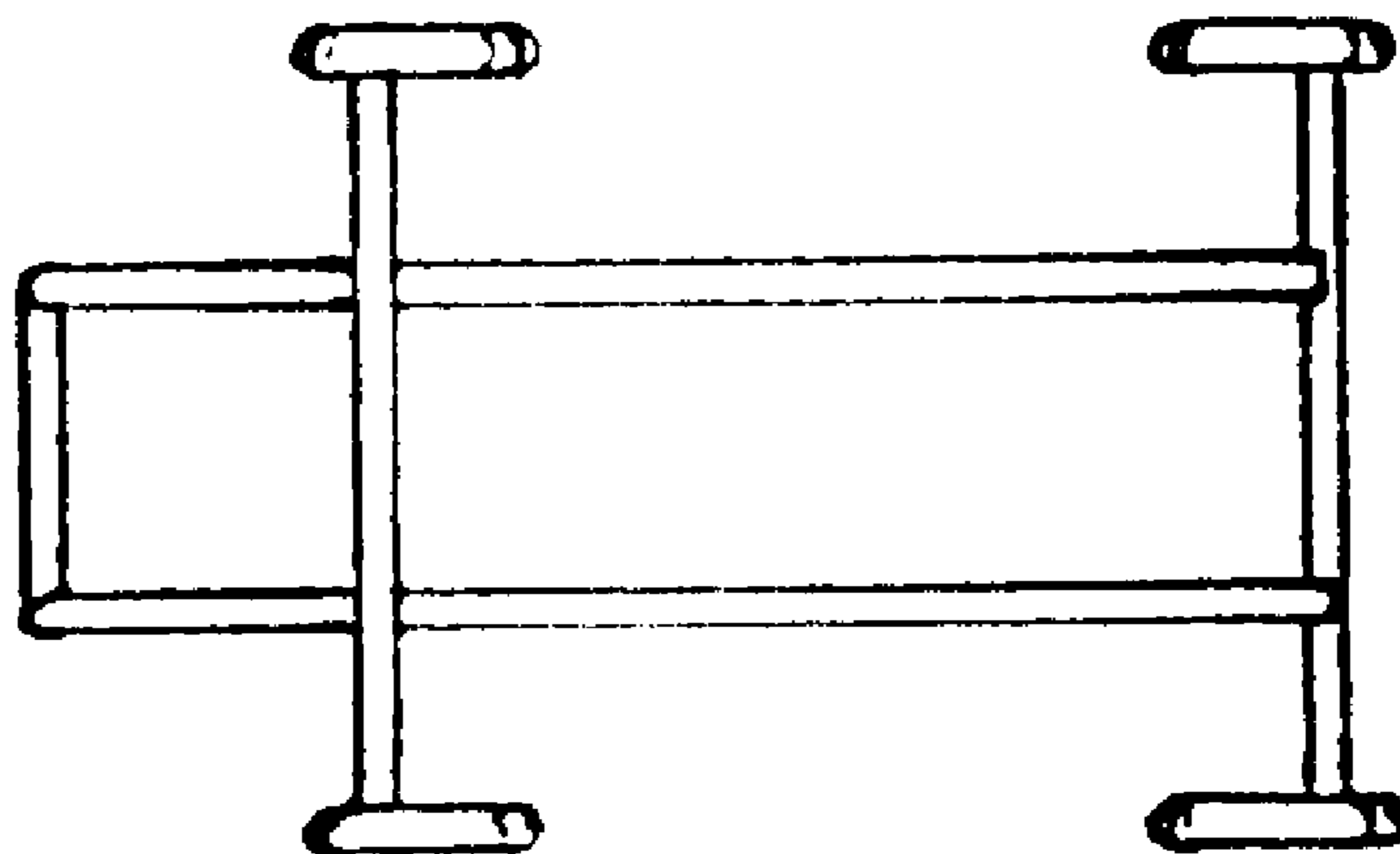


Fig. 1



*Fig. 4*



*Fig. 5*