



US00D463186S

(12) **United States Design Patent**  
**Sorensen**

(10) **Patent No.:** **US D463,186 S**

(45) **Date of Patent:** **\*\* Sep. 24, 2002**

(54) **DISPENSER AND A CONTAINER THEREFOR**

(76) Inventor: **Henrik Bonnelycke Sorensen**, St. St.  
Blichers vej 40, 8230 Abyhoj (DK)

(\*\*) Term: **14 Years**

(21) Appl. No.: **29/136,874**

(22) Filed: **Feb. 8, 2001**

(30) **Foreign Application Priority Data**

Aug. 8, 2000 (DK) ..... MA 2000 00829

(51) **LOC (7) Cl.** ..... **23-02**

(52) **U.S. Cl.** ..... **D6/545**

(58) **Field of Search** ..... D6/542, 545; 206/77.1;  
221/45, 92, 96, 123, 282, 283; 222/129,  
135, 173, 180, 181.1, 181.2, 630

(56) **References Cited**

**U.S. PATENT DOCUMENTS**

D273,062 S	*	3/1984	Richardson	.....	D6/545
D340,823 S	*	11/1993	Bunschoten et al.	.....	D6/545
D442,813 S	*	5/2001	Andersson	.....	D6/545
D448,958 S	*	10/2001	Gross	.....	D6/545
D449,753 S	*	10/2001	DeKoning et al.	.....	D6/545
D451,736 S	*	12/2001	Mast et al.	.....	D6/545
D453,886 S	*	2/2002	Pruijssers	.....	D6/545

\* cited by examiner

*Primary Examiner*—Brian N. Vinson

(74) *Attorney, Agent, or Firm*—McCormick, Paulding & Huber LLP

(57) **CLAIM**

The ornamental design for a dispenser and a container therefor, as shown and described.

**DESCRIPTION**

FIG. 1 is a perspective view of a dispenser and a container therefor in an open position.

FIG. 2 is a right-hand perspective view of FIG. 1 with the cover in a closed position.

FIG. 3 is a top rear perspective view thereof.

FIG. 4 is a bottom plan view thereof.

FIG. 5 is a left-hand side view thereof.

FIG. 6 is an exploded perspective view of the dispenser with the cover in the open position and of the container.

FIG. 7 is a front plan view of the container.

FIG. 8 is a rear view thereof.

FIG. 9 is a top plan view thereof.

FIG. 10 is a bottom plan view thereof.

FIG. 11 is a left-hand side view thereof.

FIG. 12 is a front plan view of the container of an alternate embodiment.

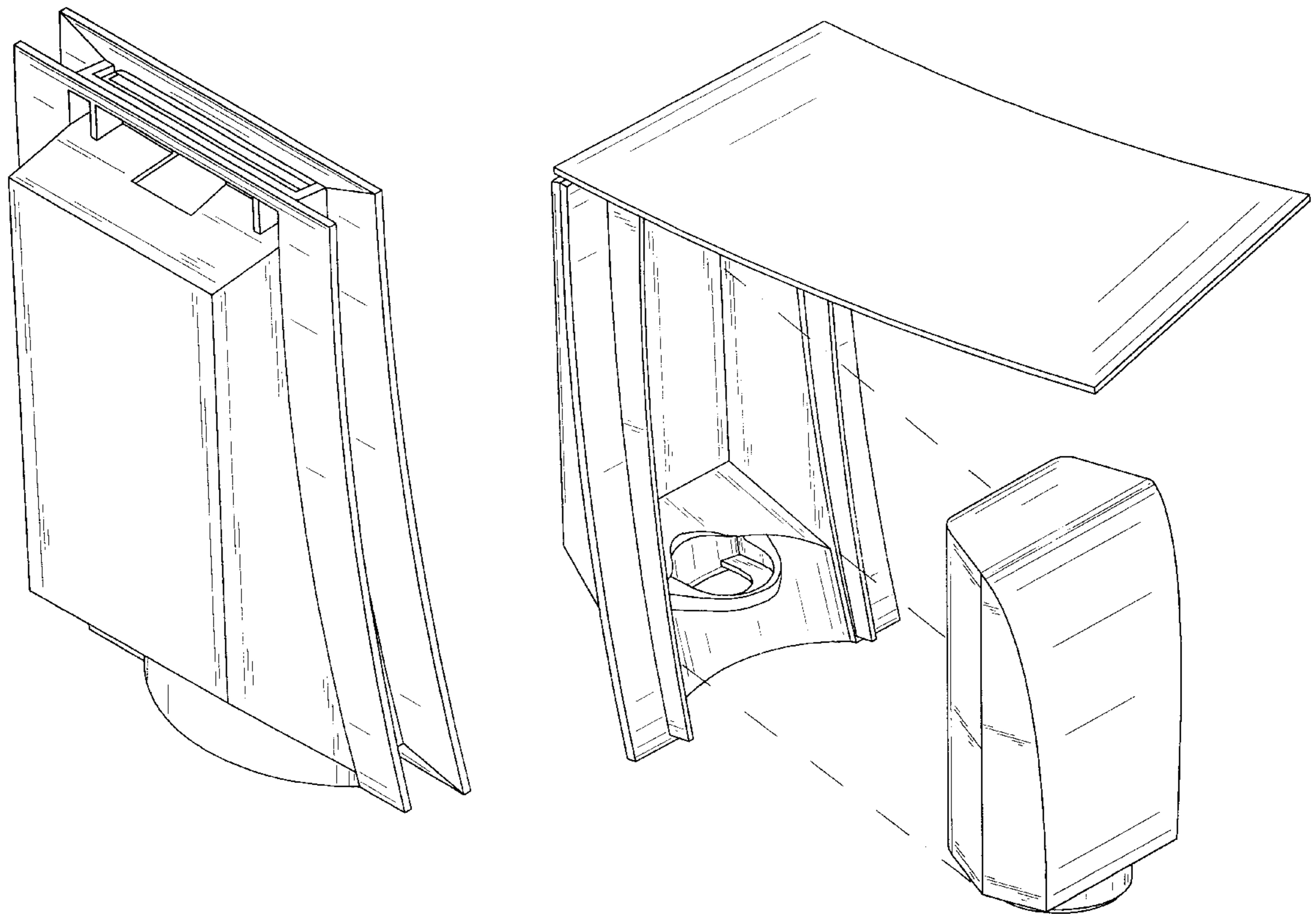
FIG. 13 is a rear view thereof.

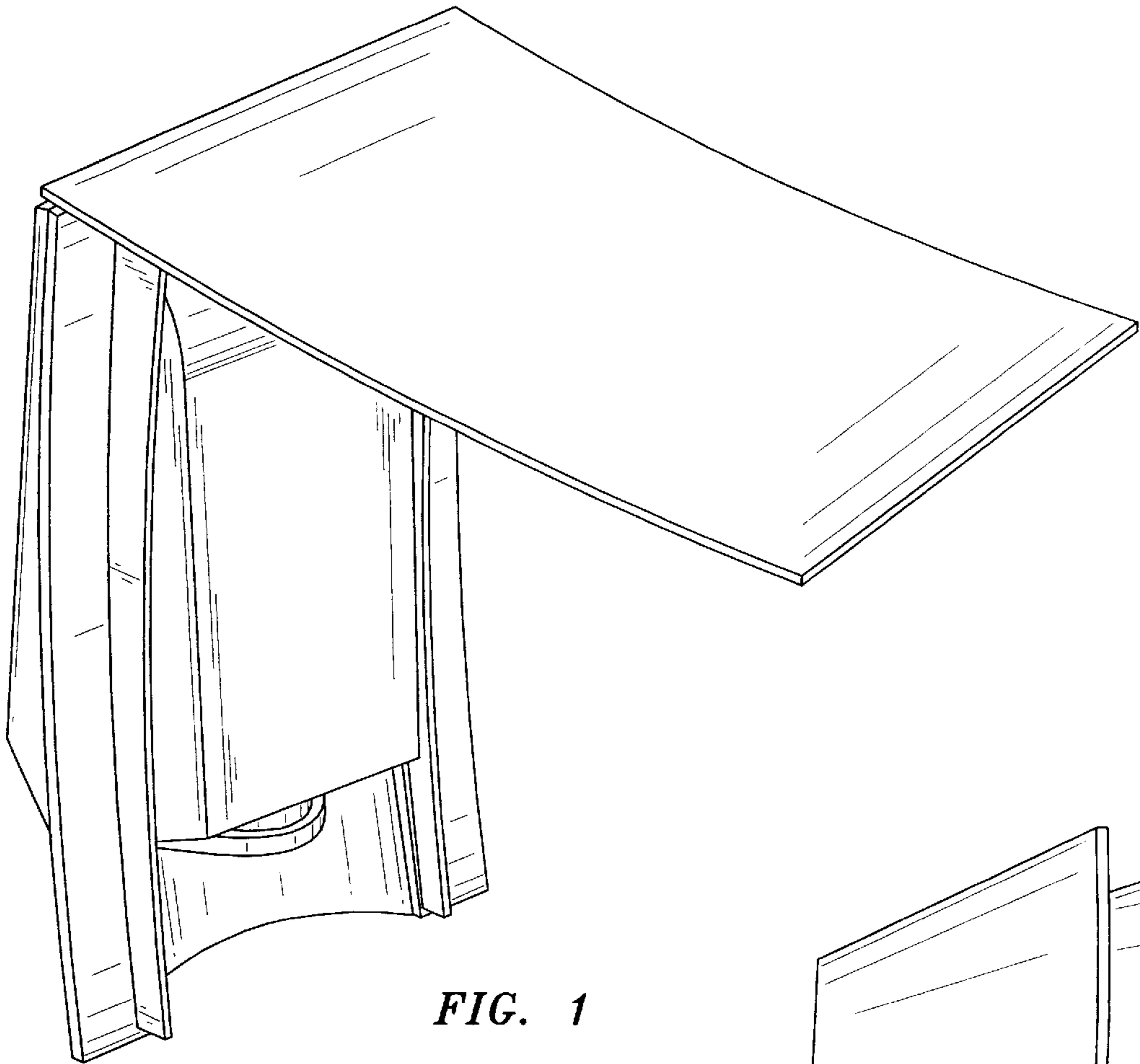
FIG. 14 is a top plan view thereof.

FIG. 15 is a bottom plan view thereof; and,

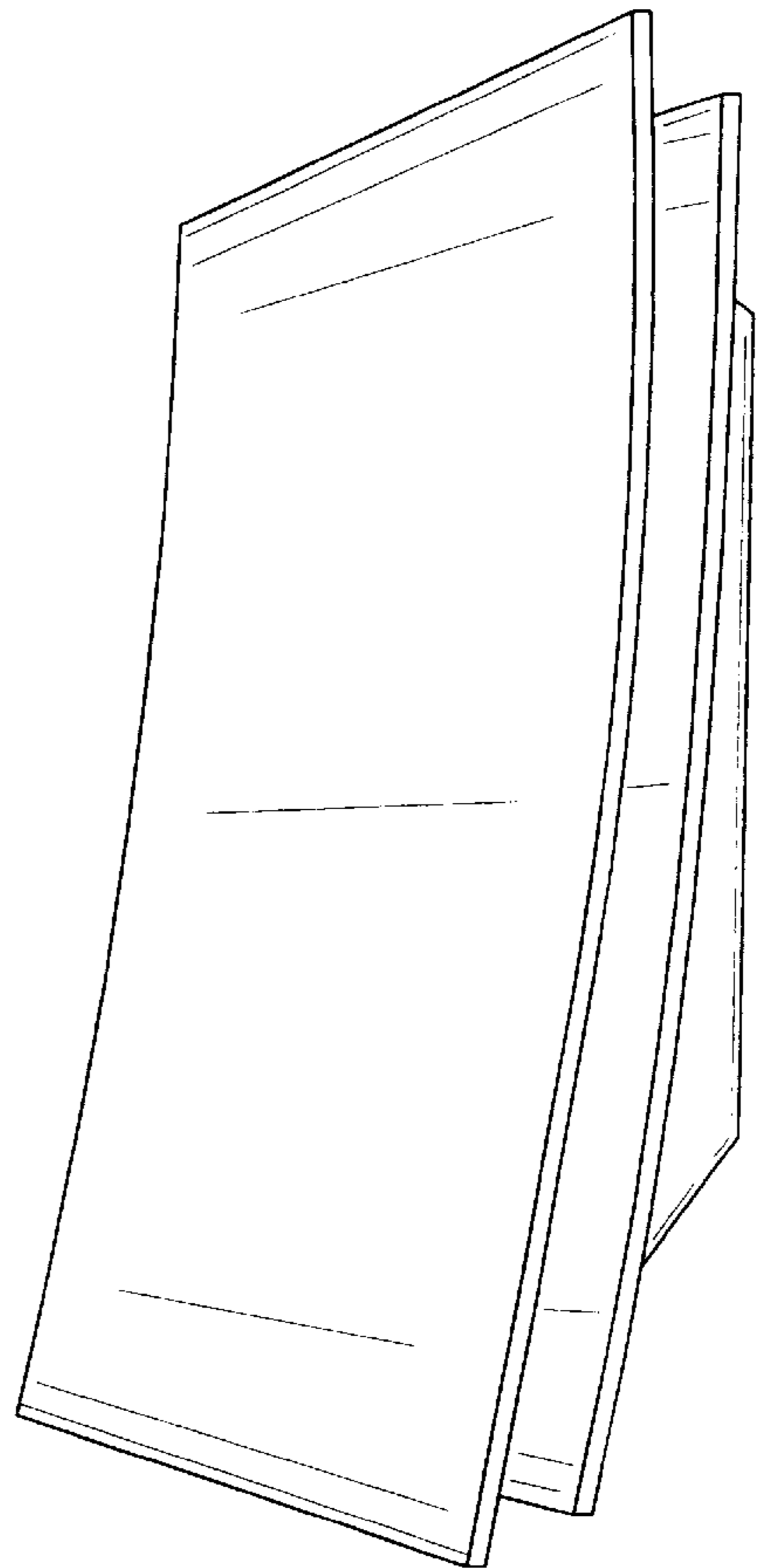
FIG. 16 is a left-hand side view thereof.

**1 Claim, 6 Drawing Sheets**

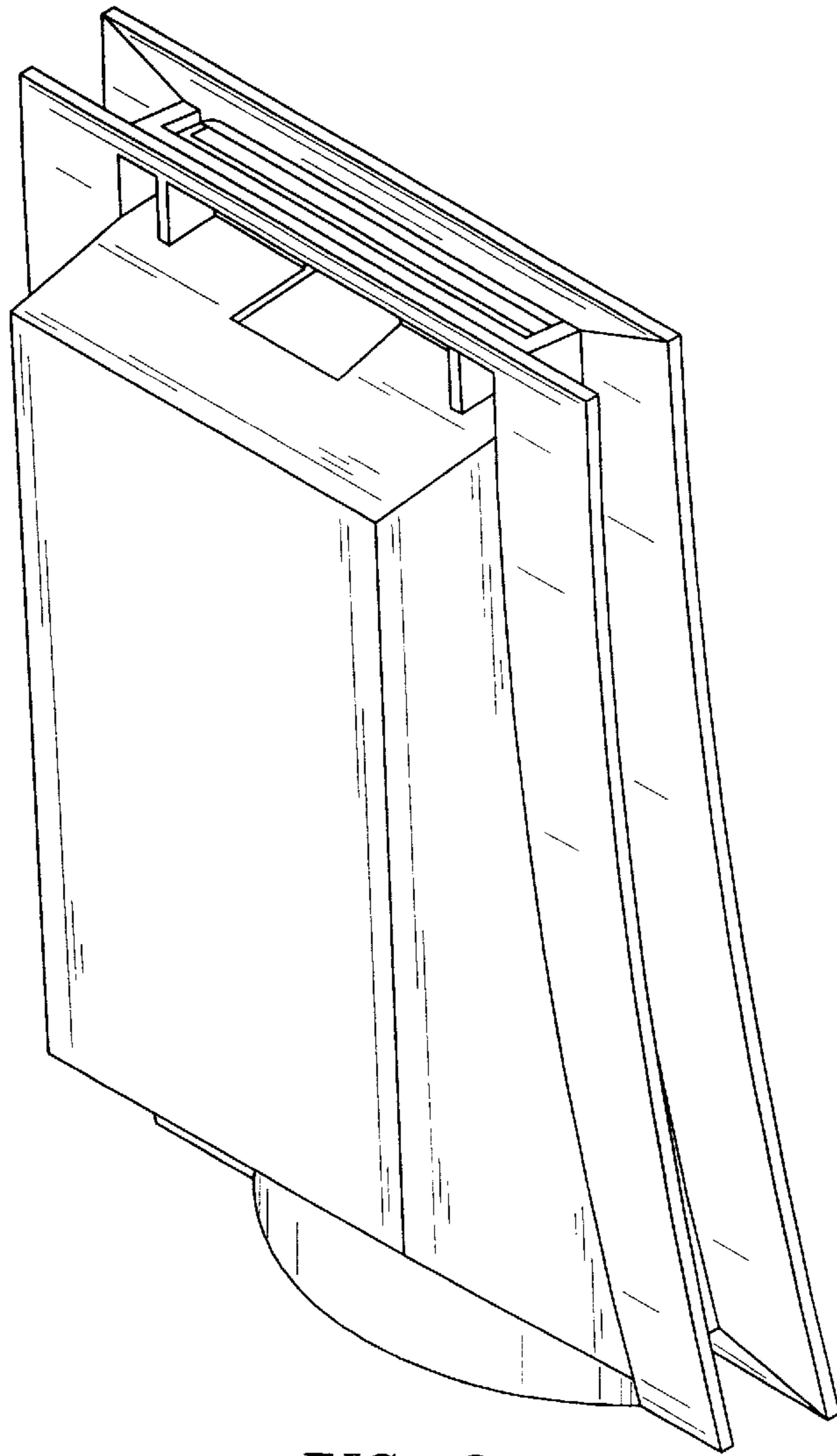




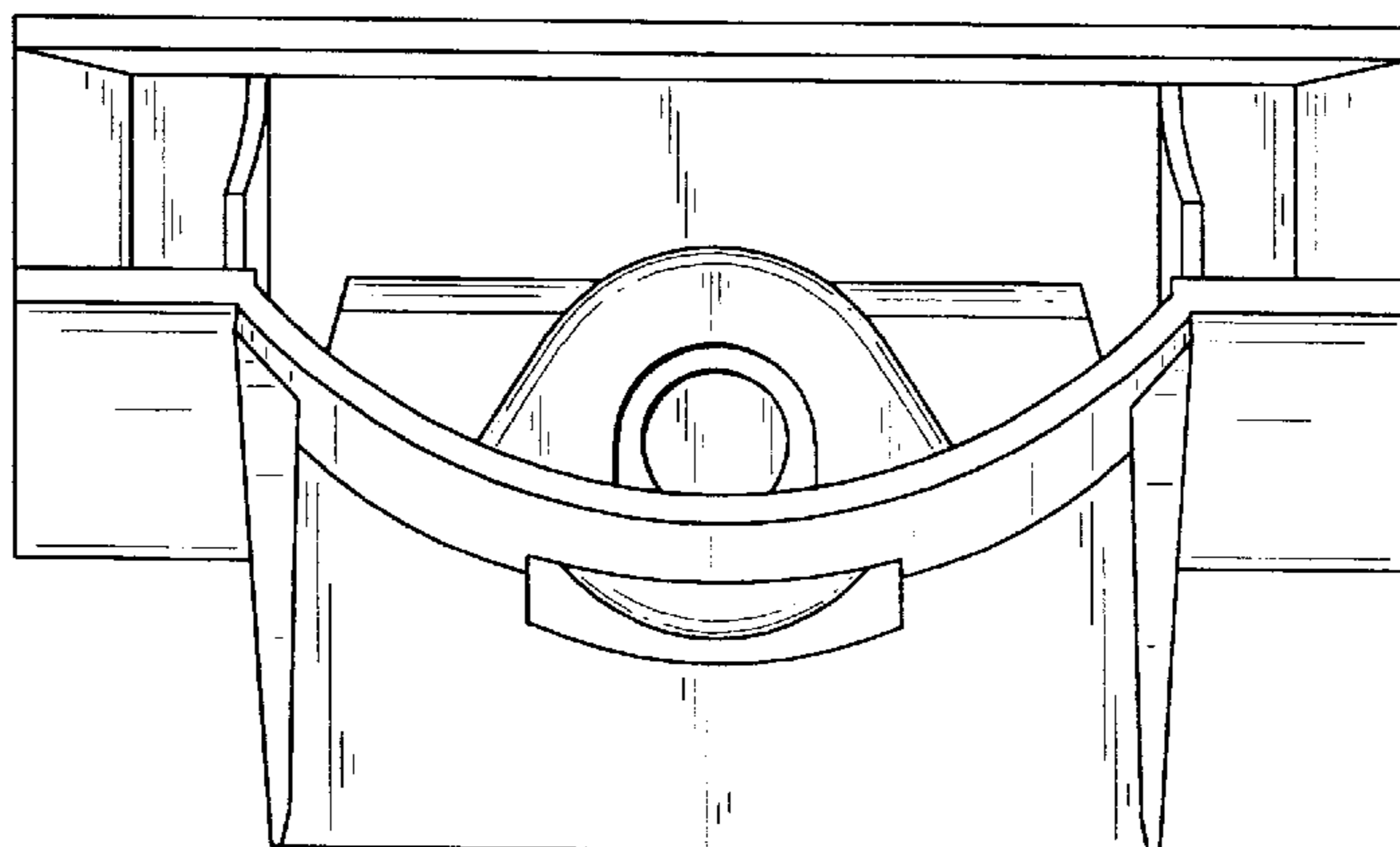
*FIG. 1*



*FIG. 2*



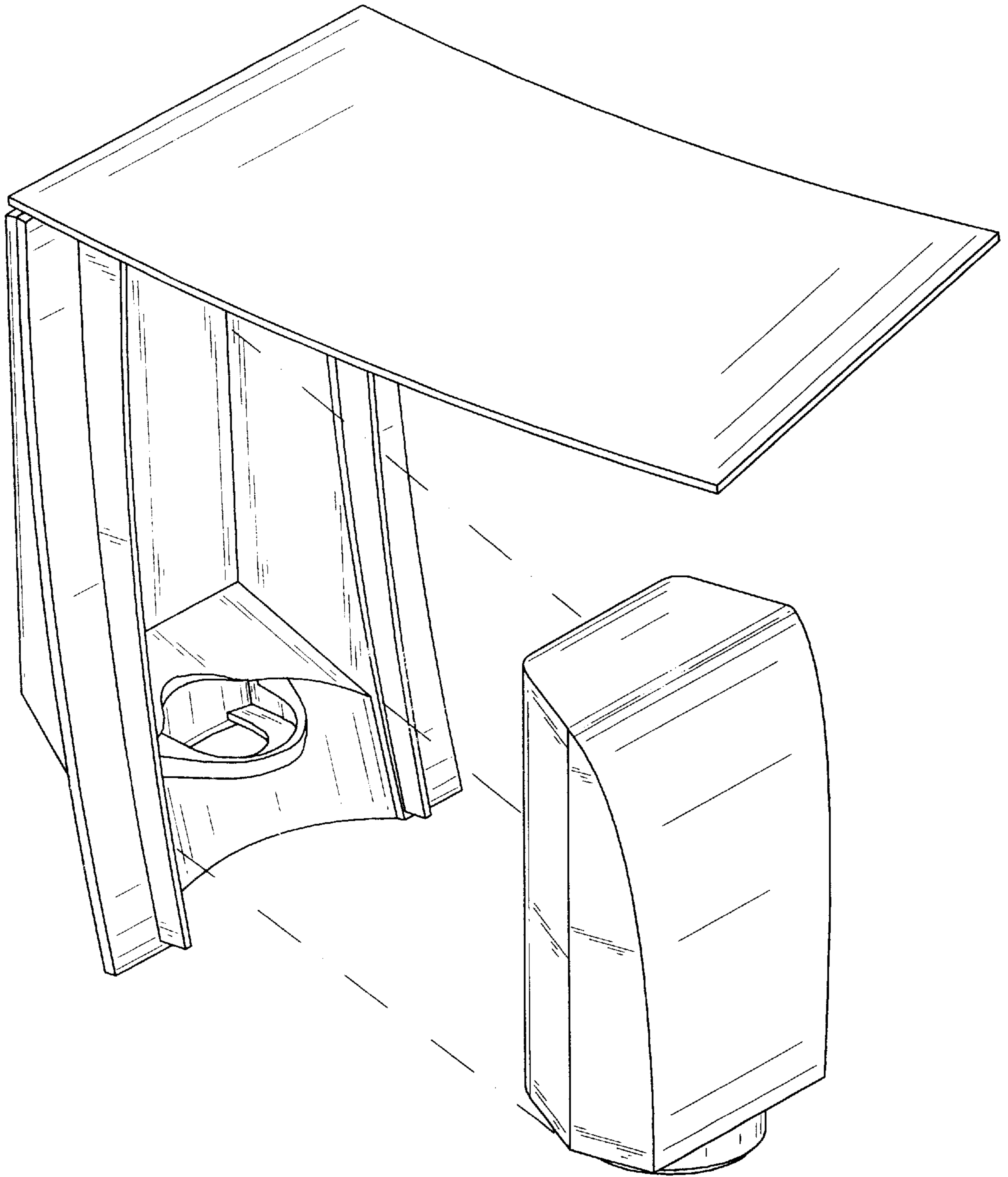
*FIG. 3*



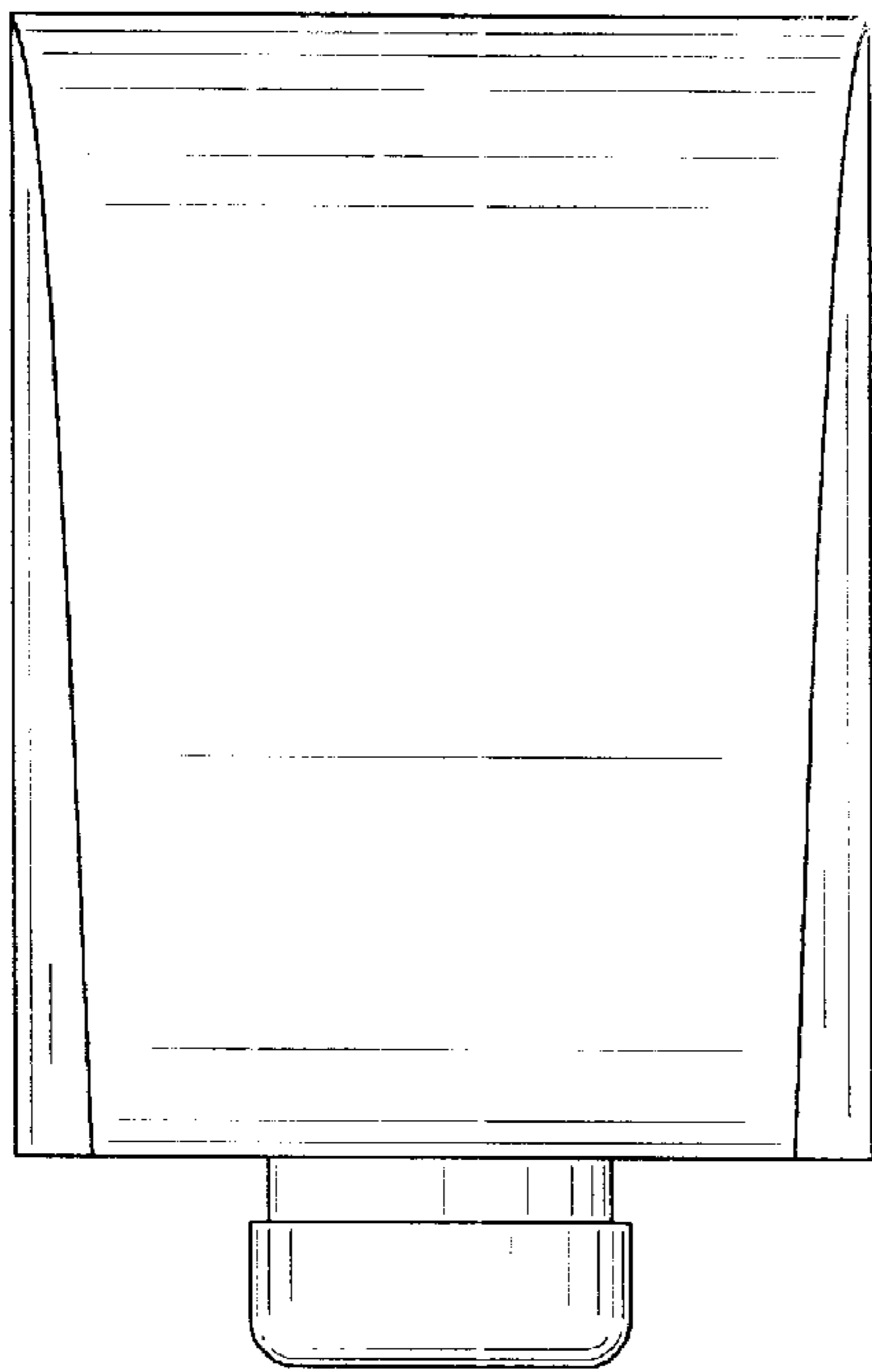
*FIG. 4*



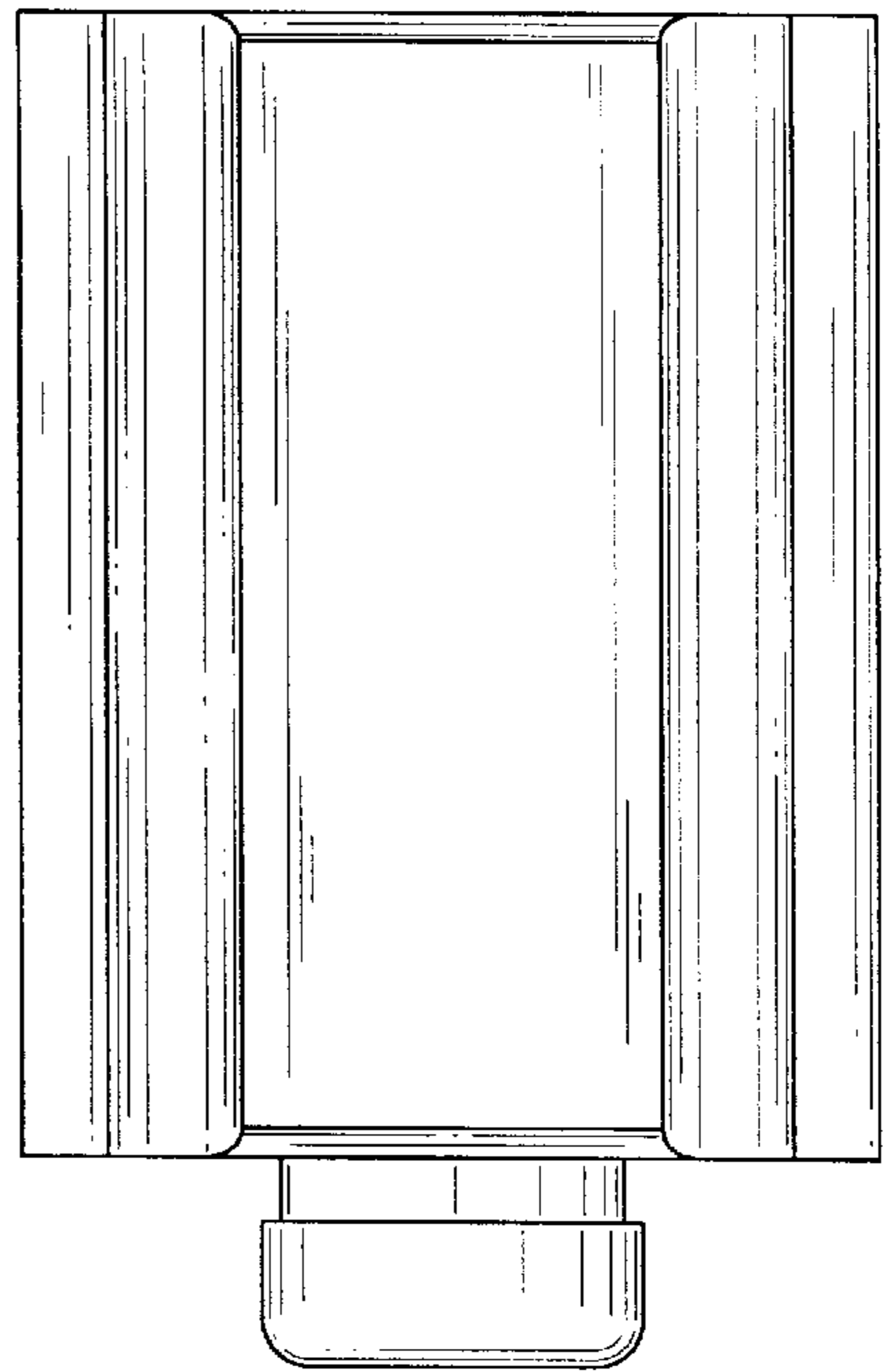
**FIG. 5**



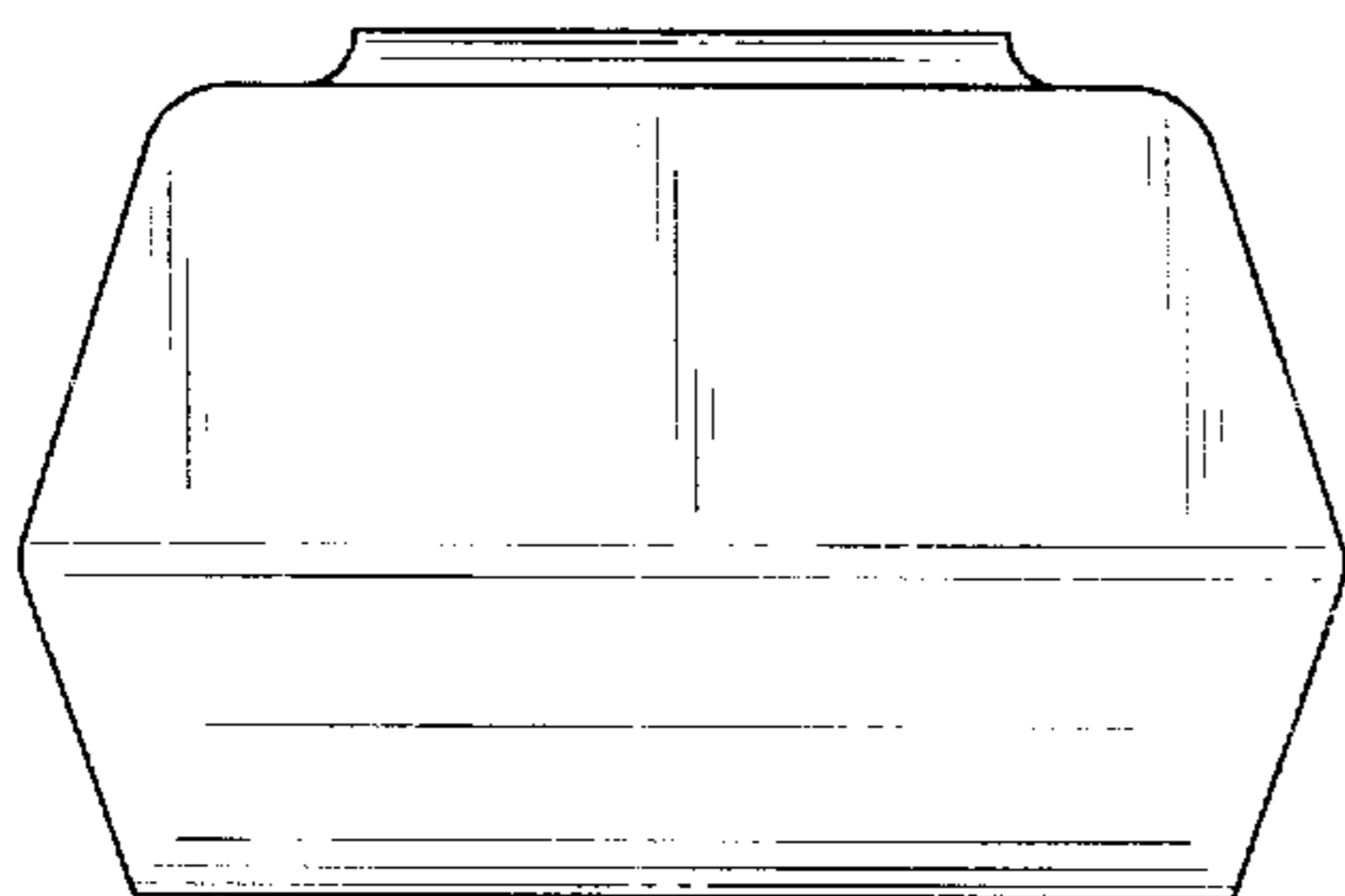
*FIG. 6*



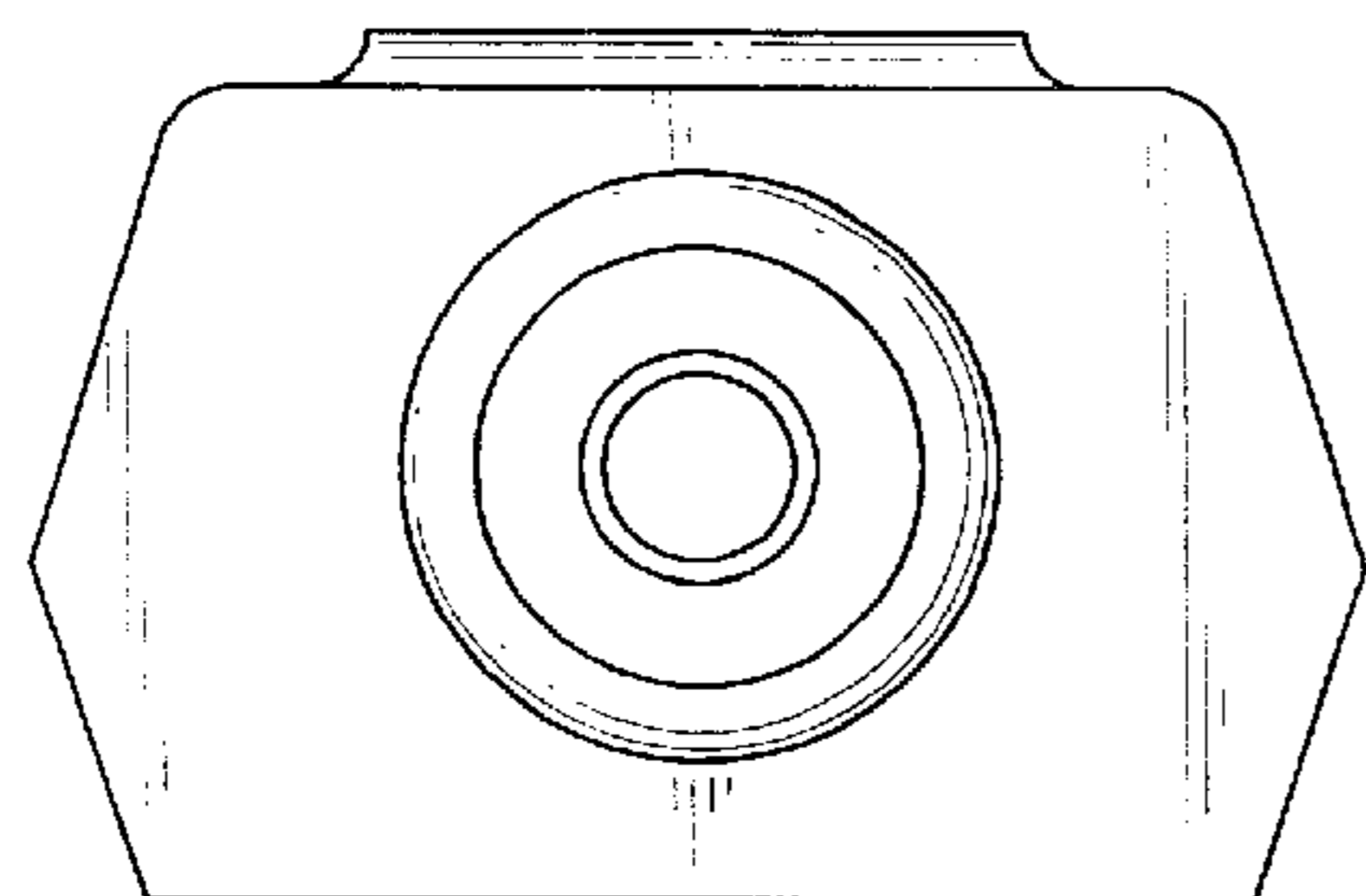
*FIG. 7*



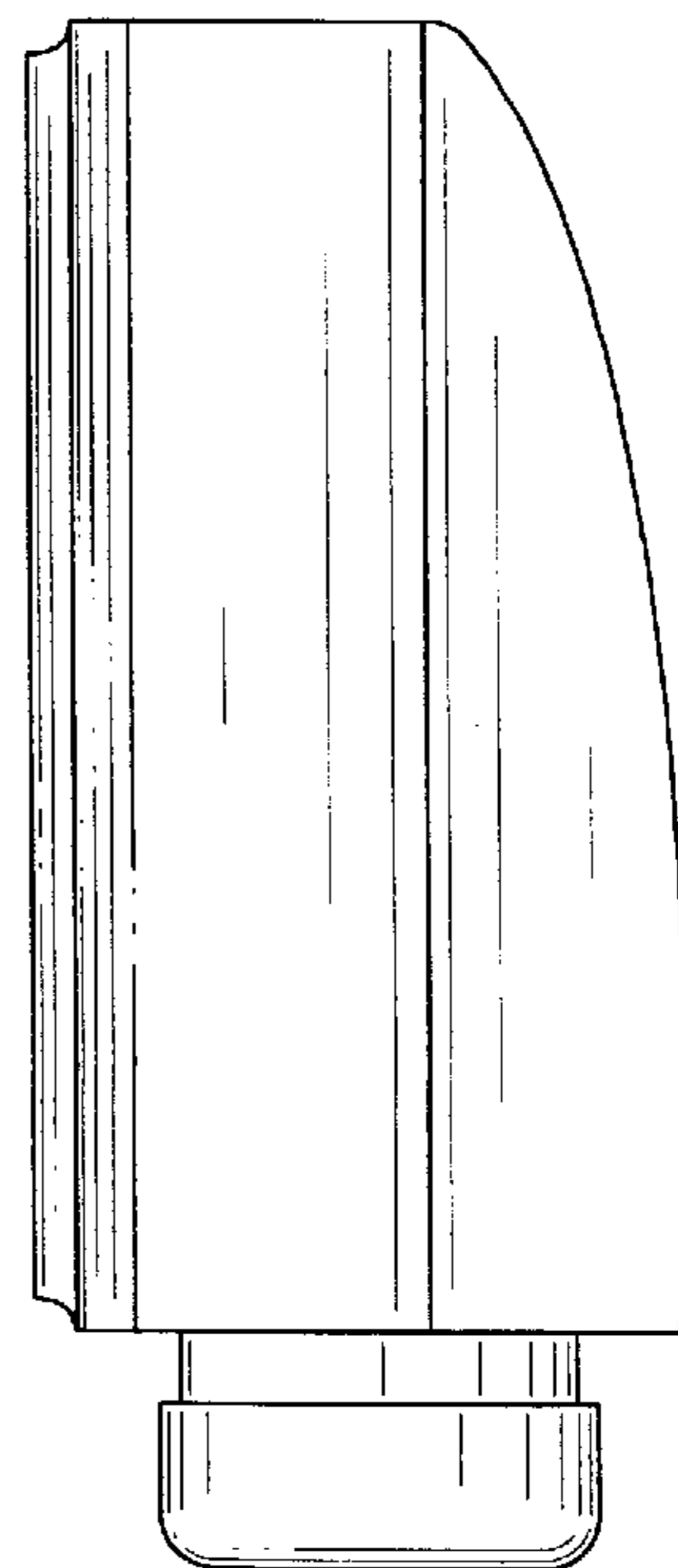
*FIG. 8*



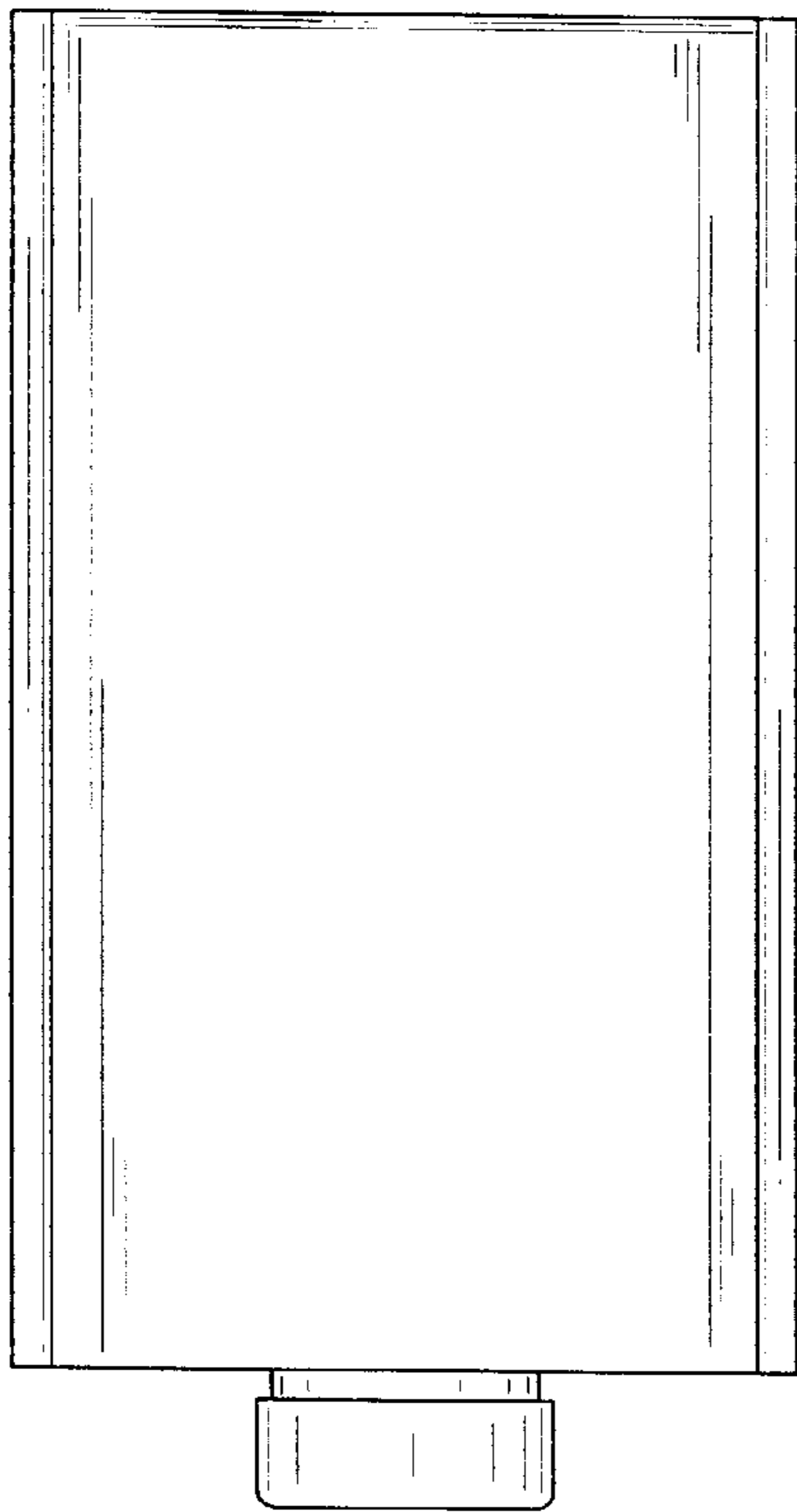
*FIG. 9*



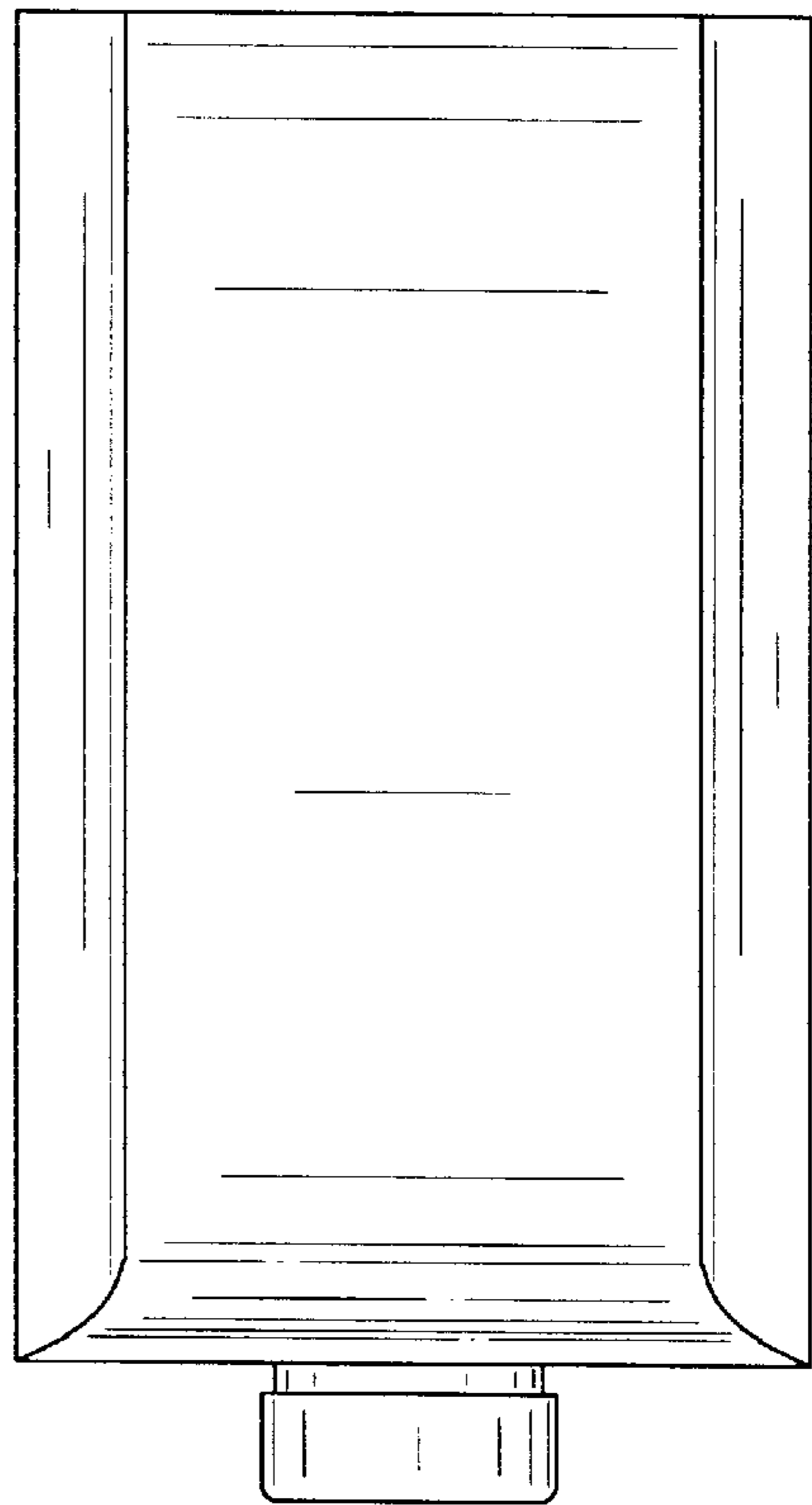
*FIG. 10*



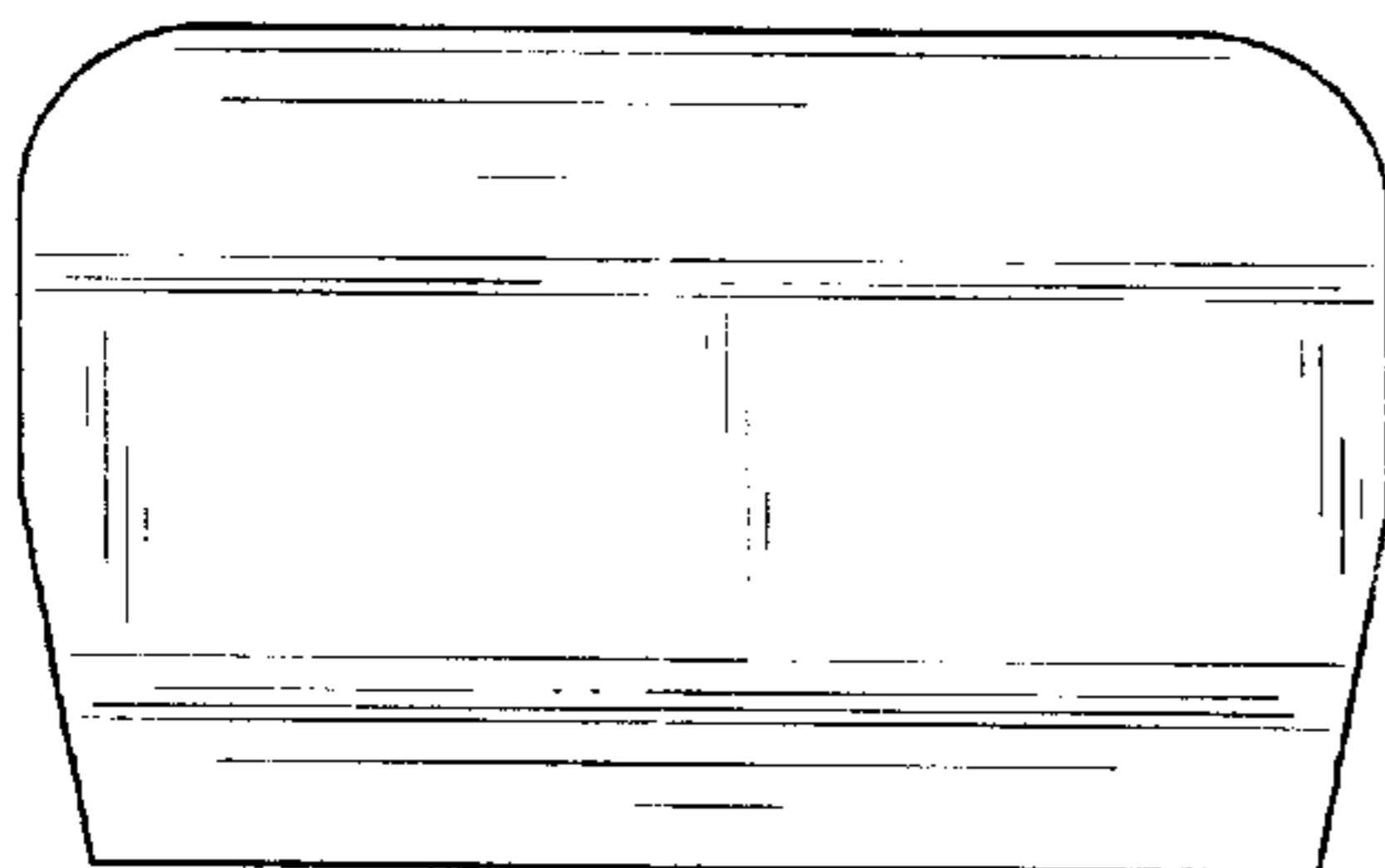
*FIG. 11*



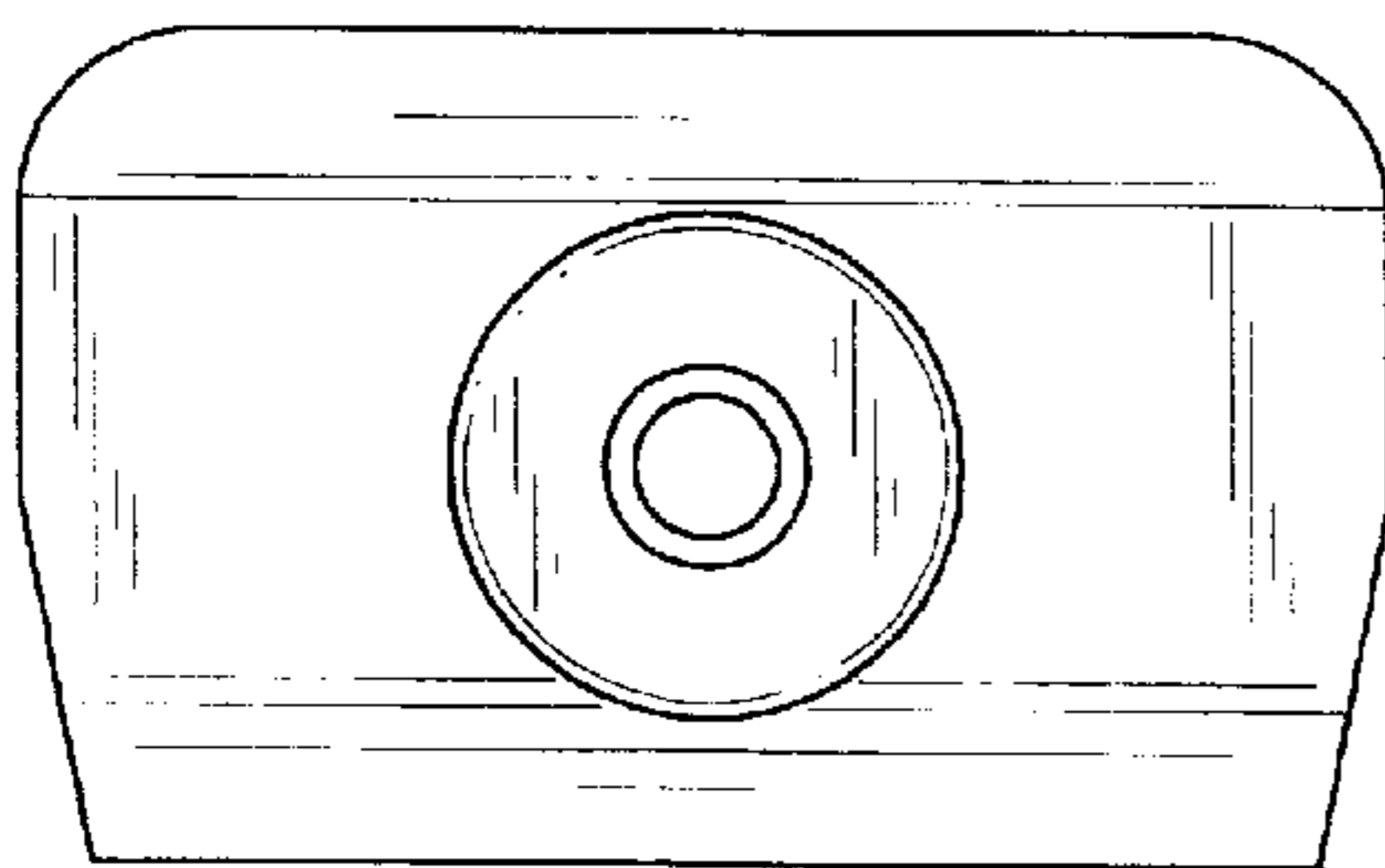
*FIG. 12*



*FIG. 13*



*FIG. 14*



*FIG. 15*



*FIG. 16*