



US00D463185S

(12) **United States Design Patent**  
**Tolliver**

(10) **Patent No.:** **US D463,185 S**

(45) **Date of Patent:** **\*\* Sep. 24, 2002**

(54) **COMBINED SHOWER AND ACCESSORY RACK RACK**

(76) **Inventor:** **Sean Tolliver**, 14900 Rose Pavonia Pl., Austin, TX (US) 78728

(\*\*) **Term:** **14 Years**

(21) **Appl. No.:** **29/148,585**

(22) **Filed:** **Sep. 24, 2001**

(51) **LOC (7) Cl.** ..... **23-02**

(52) **U.S. Cl.** ..... **D6/525; D6/566**

(58) **Field of Search** ..... D6/524, 525, 566; 211/13.1, 71.01, 74, 75, 86.01, 87.01, 88.01, 90.01, 90.03, 106, 126.1, 133.5, 134, 181.1

(56) **References Cited**

**U.S. PATENT DOCUMENTS**

D162,958 S	*	4/1951	Ives	.....	D6/566
2,839,202 A	*	6/1958	Arnett	.....	211/106
3,789,996 A	*	2/1974	Stroh	.....	211/106 X
D394,771 S	*	6/1998	Hofman	.....	D6/525
D397,567 S	*	9/1998	Hofman	.....	D6/525
D446,670 S	*	8/2001	Emery et al.	.....	D6/525

\* cited by examiner

*Primary Examiner*—Brian N. Vinson

(74) *Attorney, Agent, or Firm*—D L Tschida

(57) **CLAIM**

The ornamental design for combined shower accessory rack, as shown and described.

**DESCRIPTION**

FIG. 1 is a top, front, and right side perspective view of a combined shower and accessory rack showing my new design;

FIG. 2 is a top, rear, and left side perspective view thereof;

FIG. 3 is a top, front, and left side perspective view of the shower rack portion thereof, with the accessory rack portion omitted for clarity of illustration;

FIG. 4 is a top, rear and left side perspective view of the shower rack portion thereof;

FIG. 5 is a front elevational view of the shower rack portion thereof;

FIG. 6 is a rear elevational view of the shower rack portion thereof;

FIG. 7 is a top plan view of the shower rack portion thereof;

FIG. 8 is a bottom plan view of the shower rack portion thereof;

FIG. 9 is a right side elevational view of the shower rack portion thereof, the left side being a mirror image of that shown;

FIG. 10 is a top, front, and left side perspective view of the accessory rack portion thereof, with the shower rack portion omitted for clarity of illustration;

FIG. 11 is a top, rear, and right side perspective view of the accessory rack portion thereof;

FIG. 12 is a front elevational view of the accessory rack portion thereof;

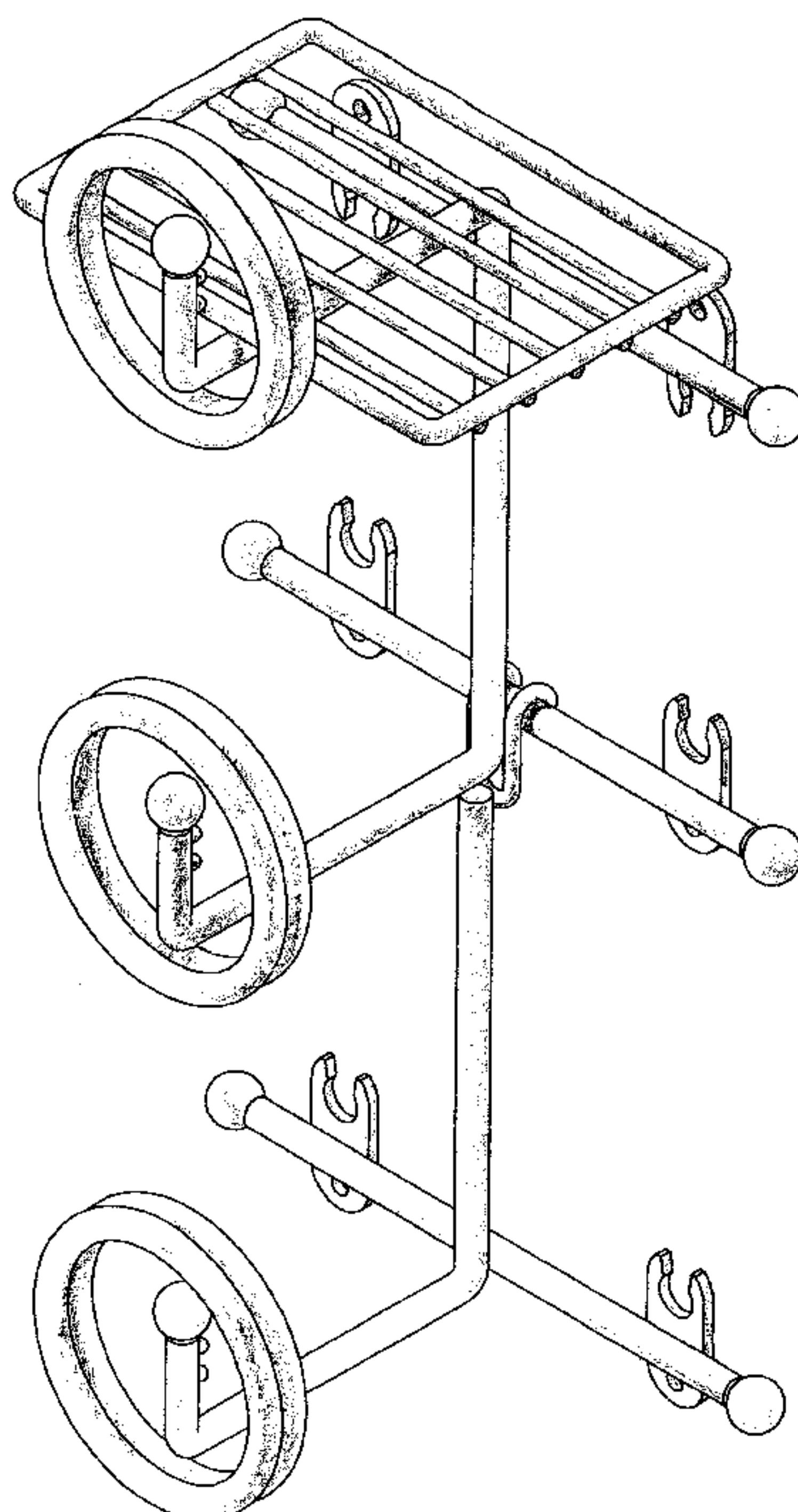
FIG. 13 is a rear elevational view of the accessory rack portion thereof;

FIG. 14 is a right side elevational view of the accessory rack portion thereof, the left side being a mirror image of that shown;

FIG. 15 is a top plan view of the accessory rack portion thereof; and,

FIG. 16 is a bottom plan view of the accessory rack portion thereof.

**1 Claim, 16 Drawing Sheets**



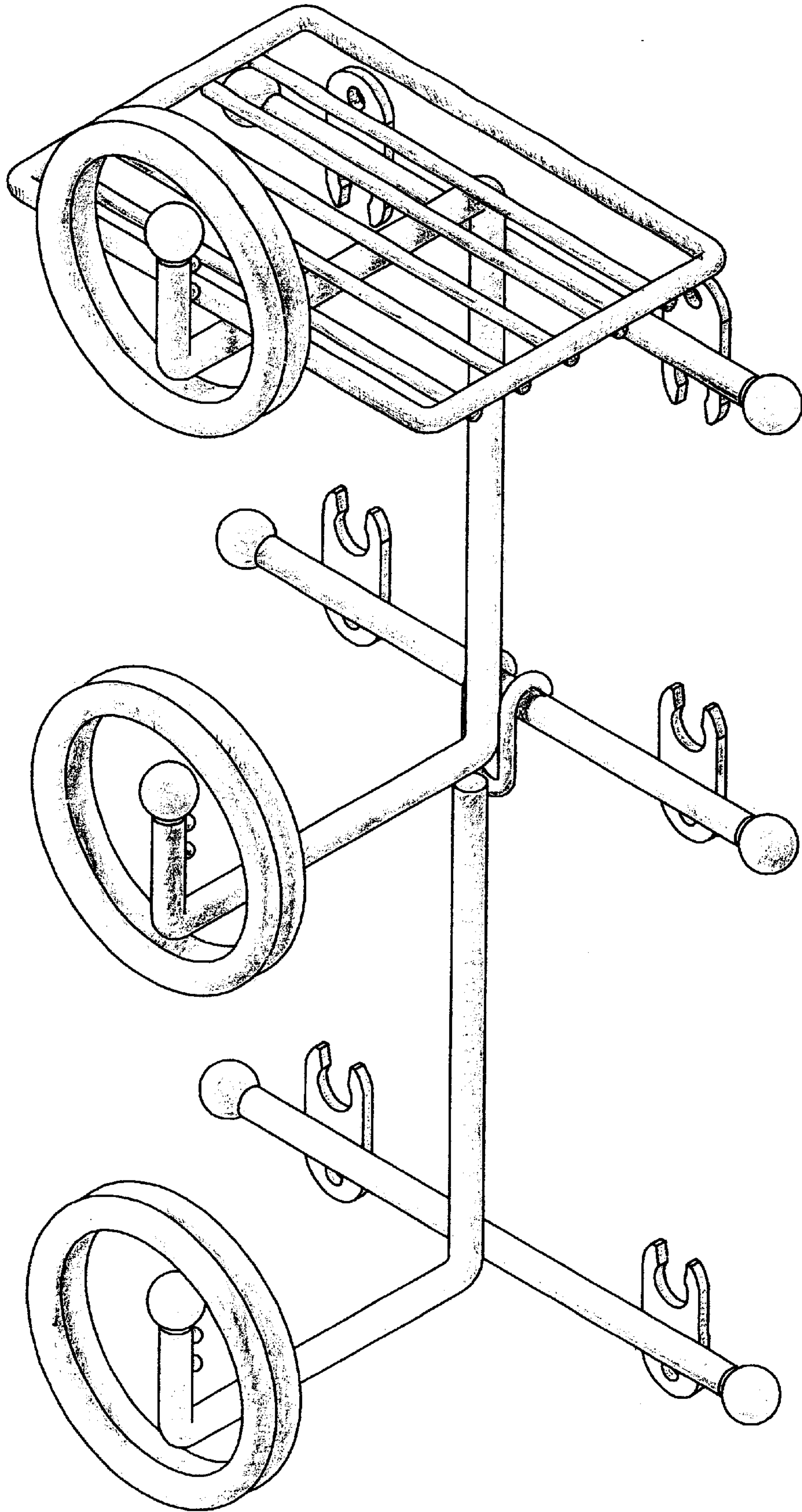


FIG. 1



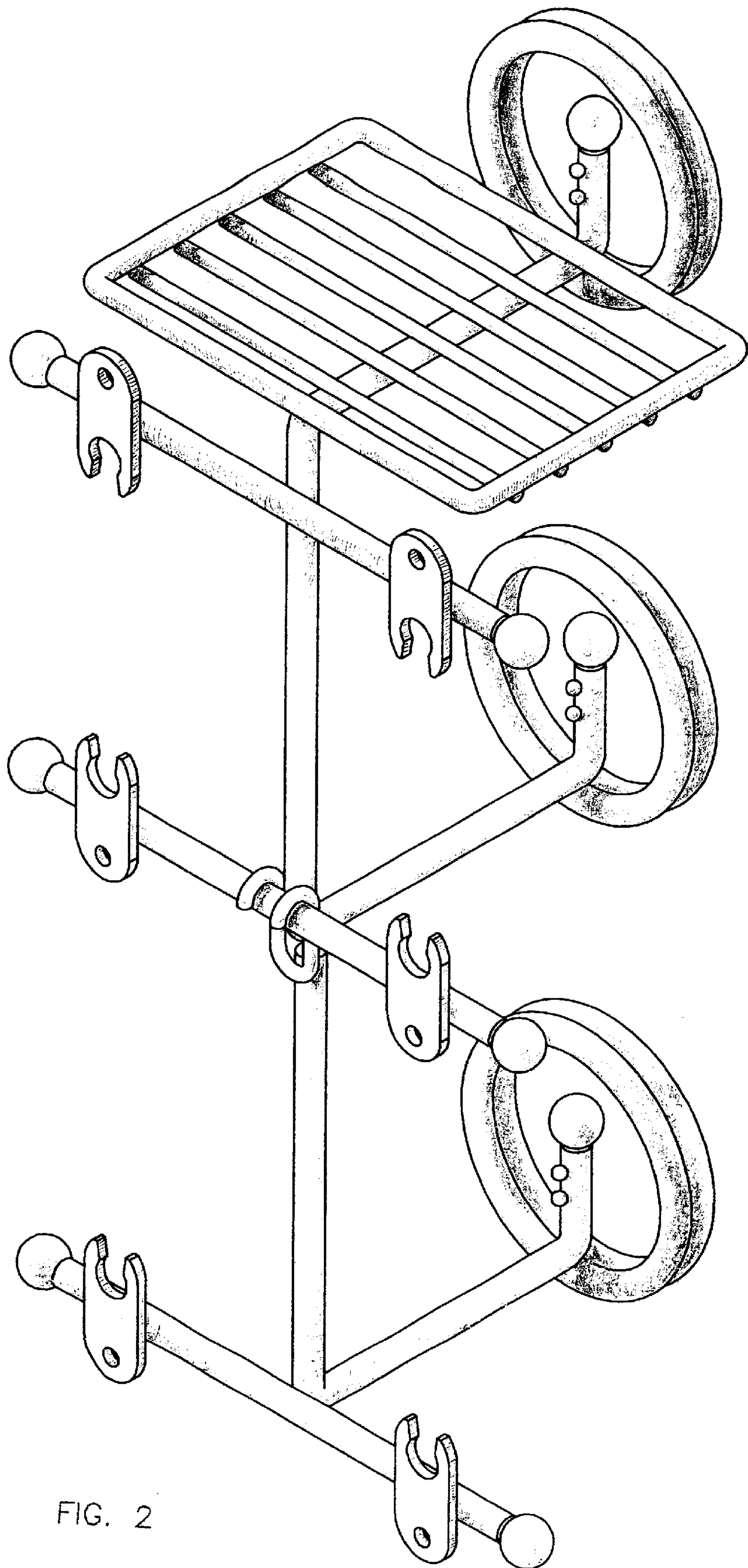


FIG. 2

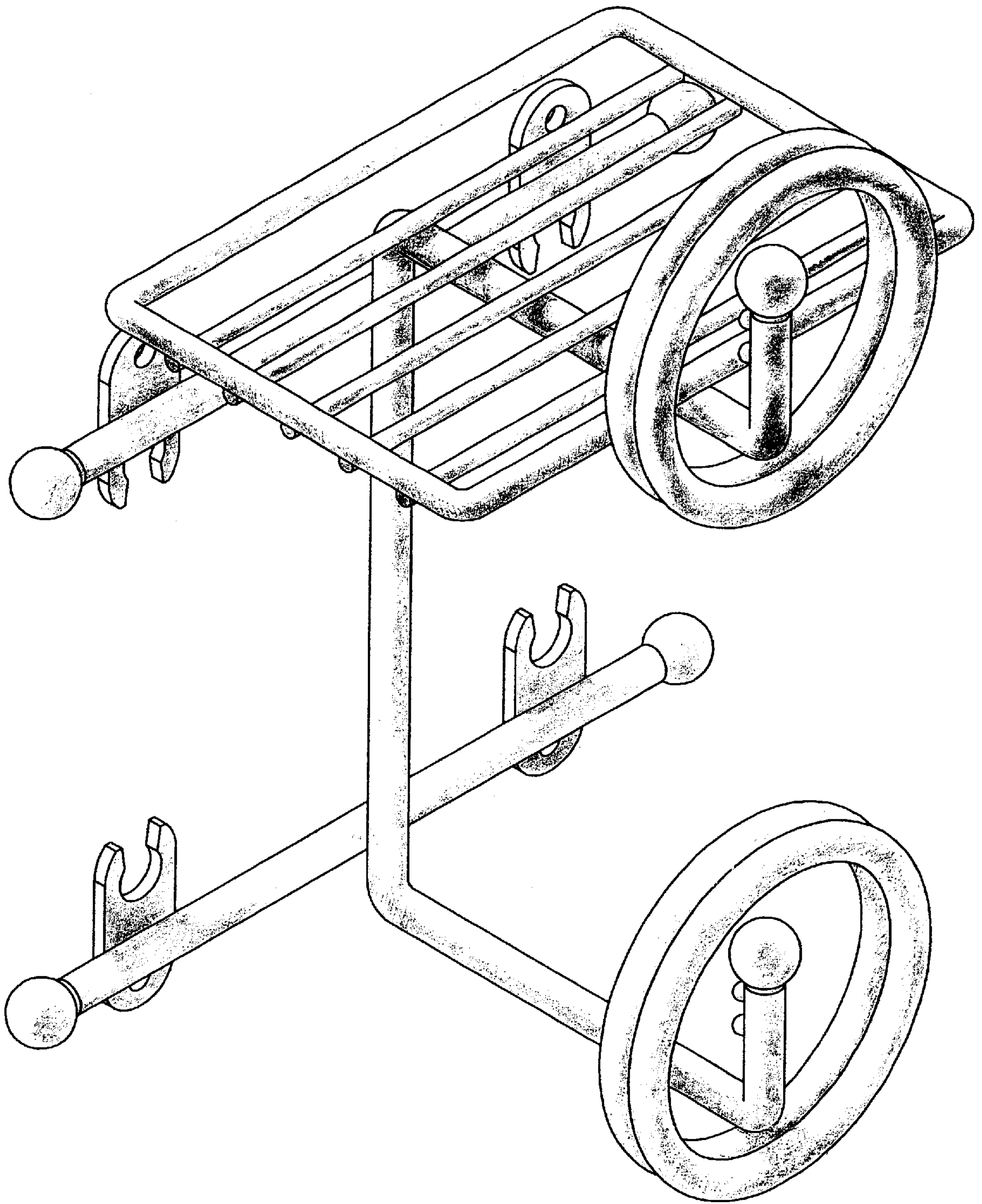


FIG. 3



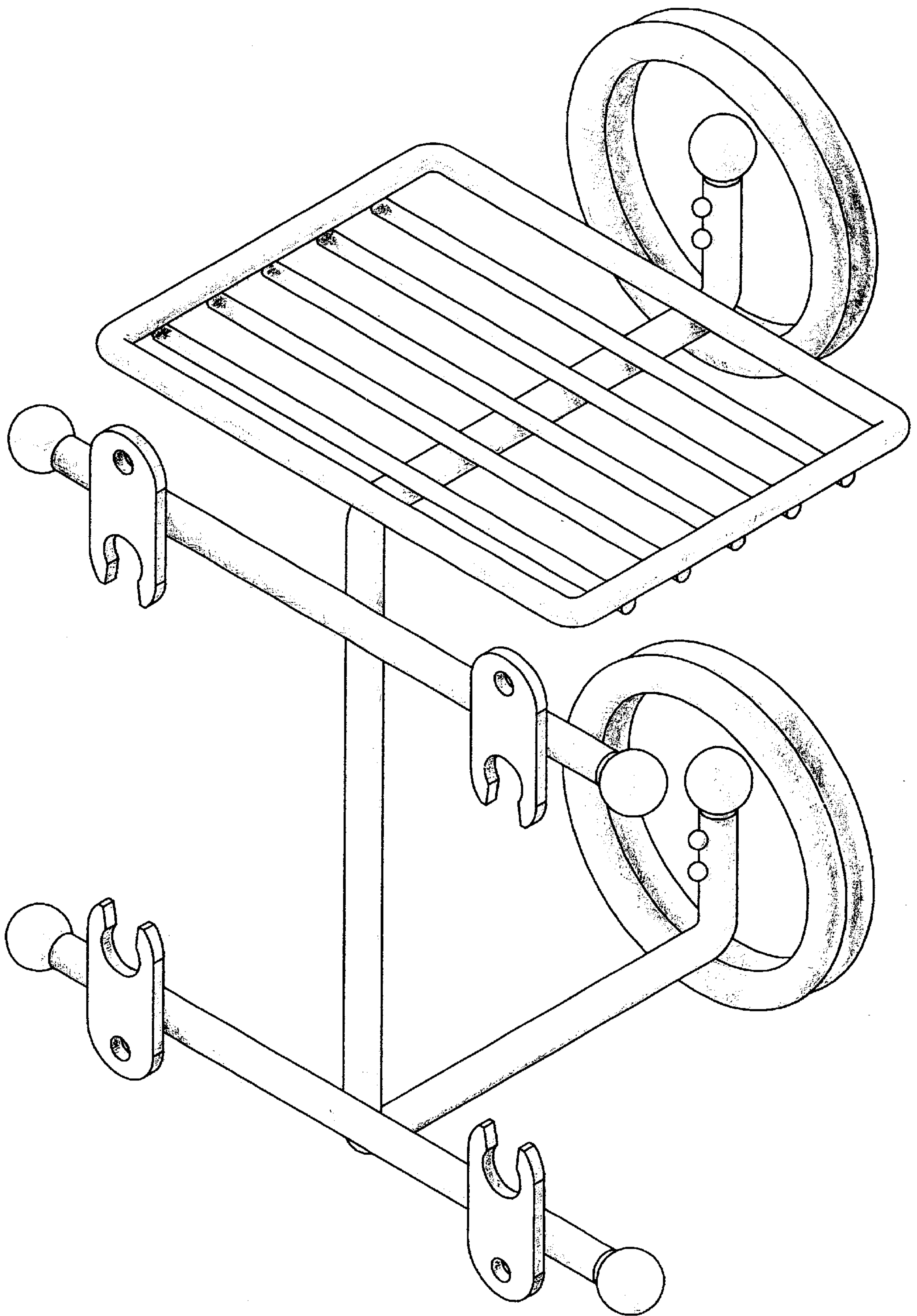


FIG. 4

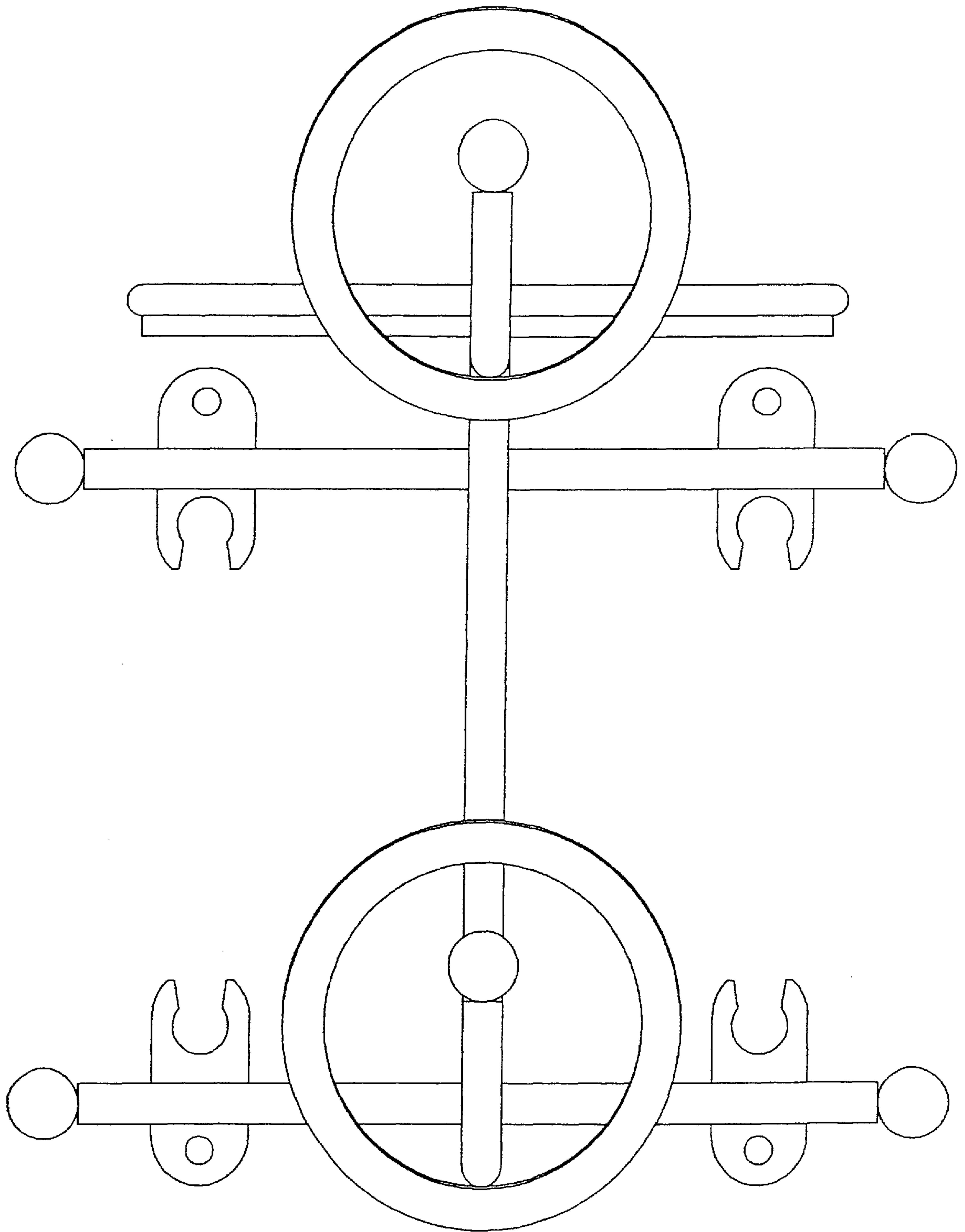


FIG. 5

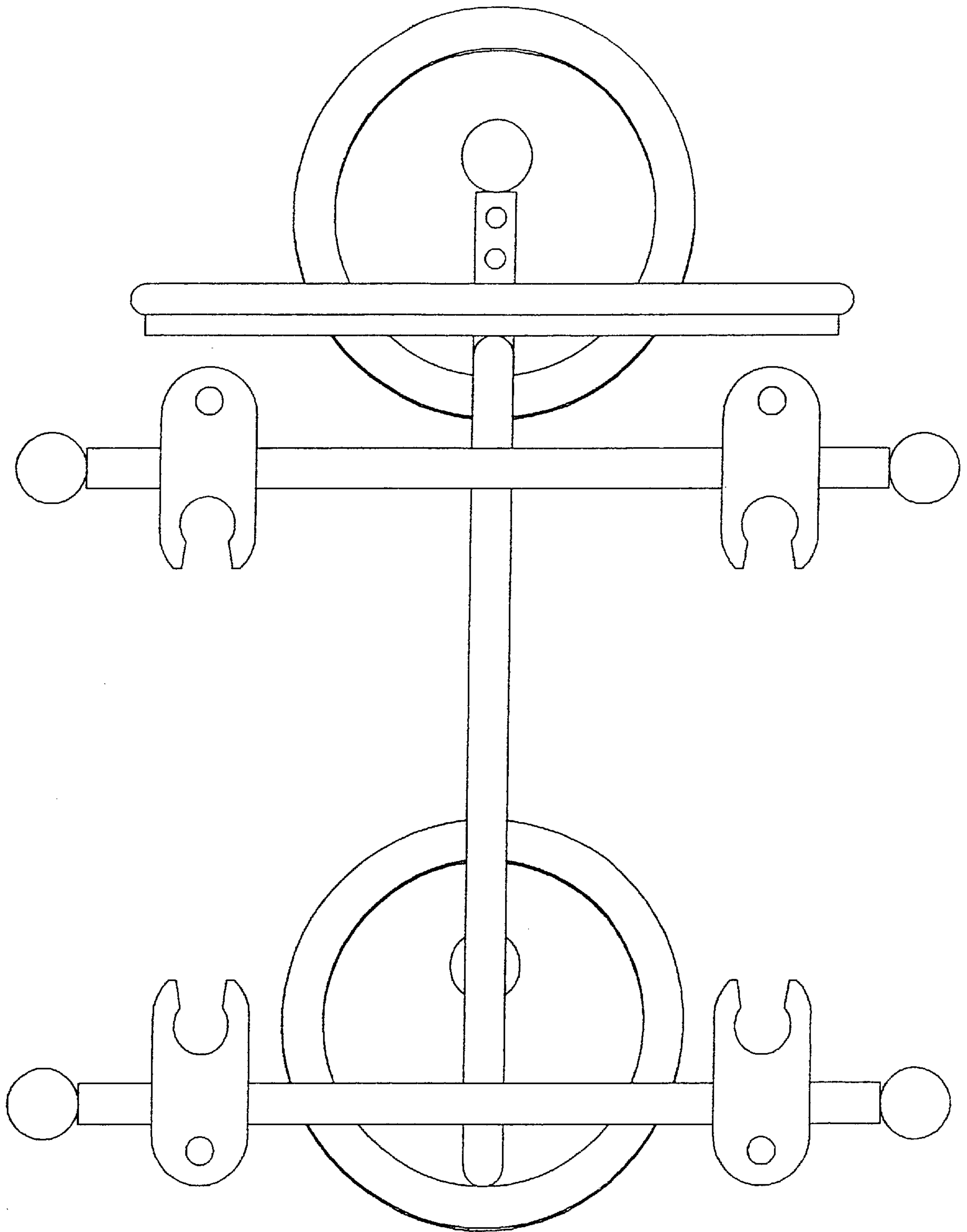


FIG. 6

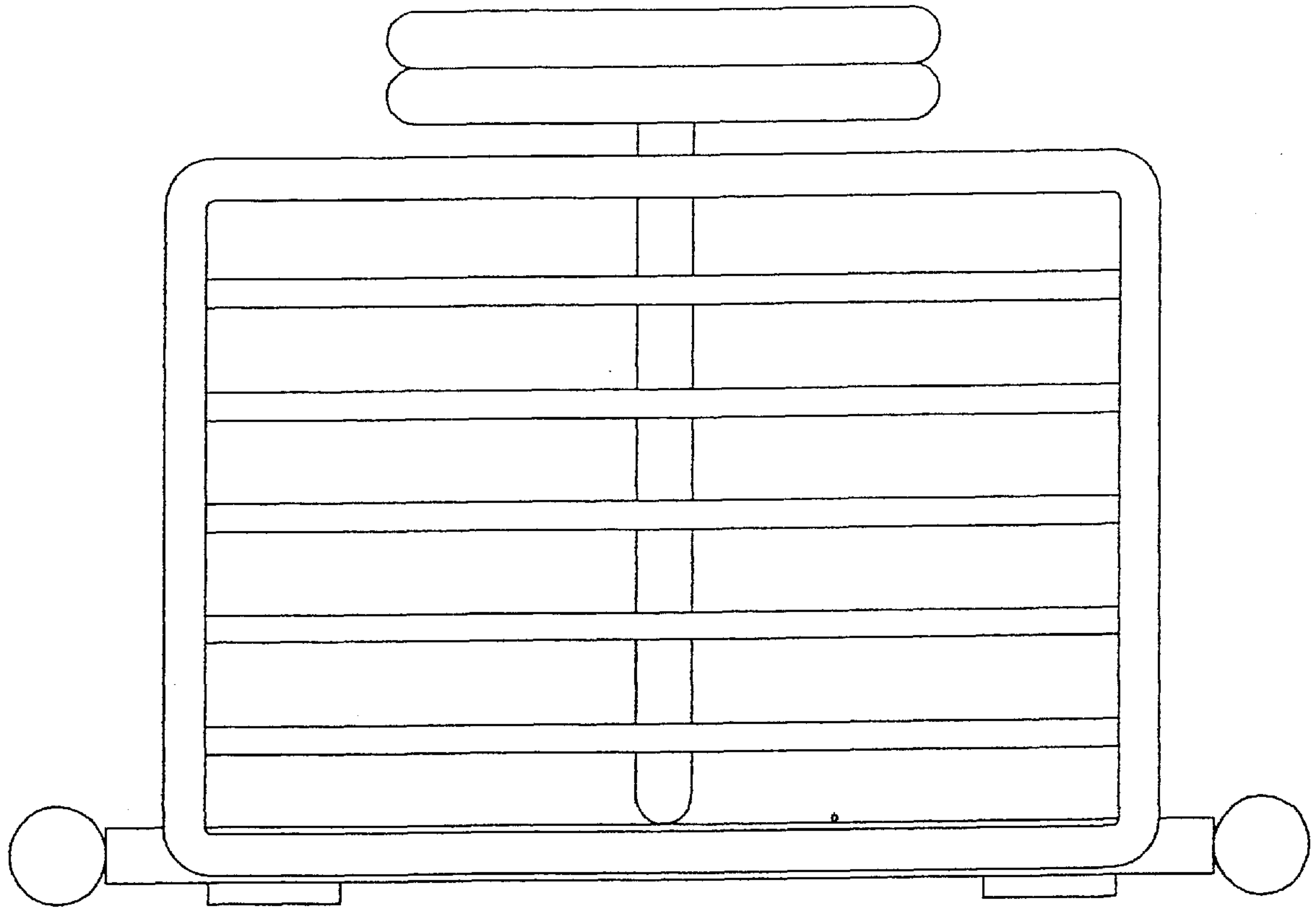


FIG. 7



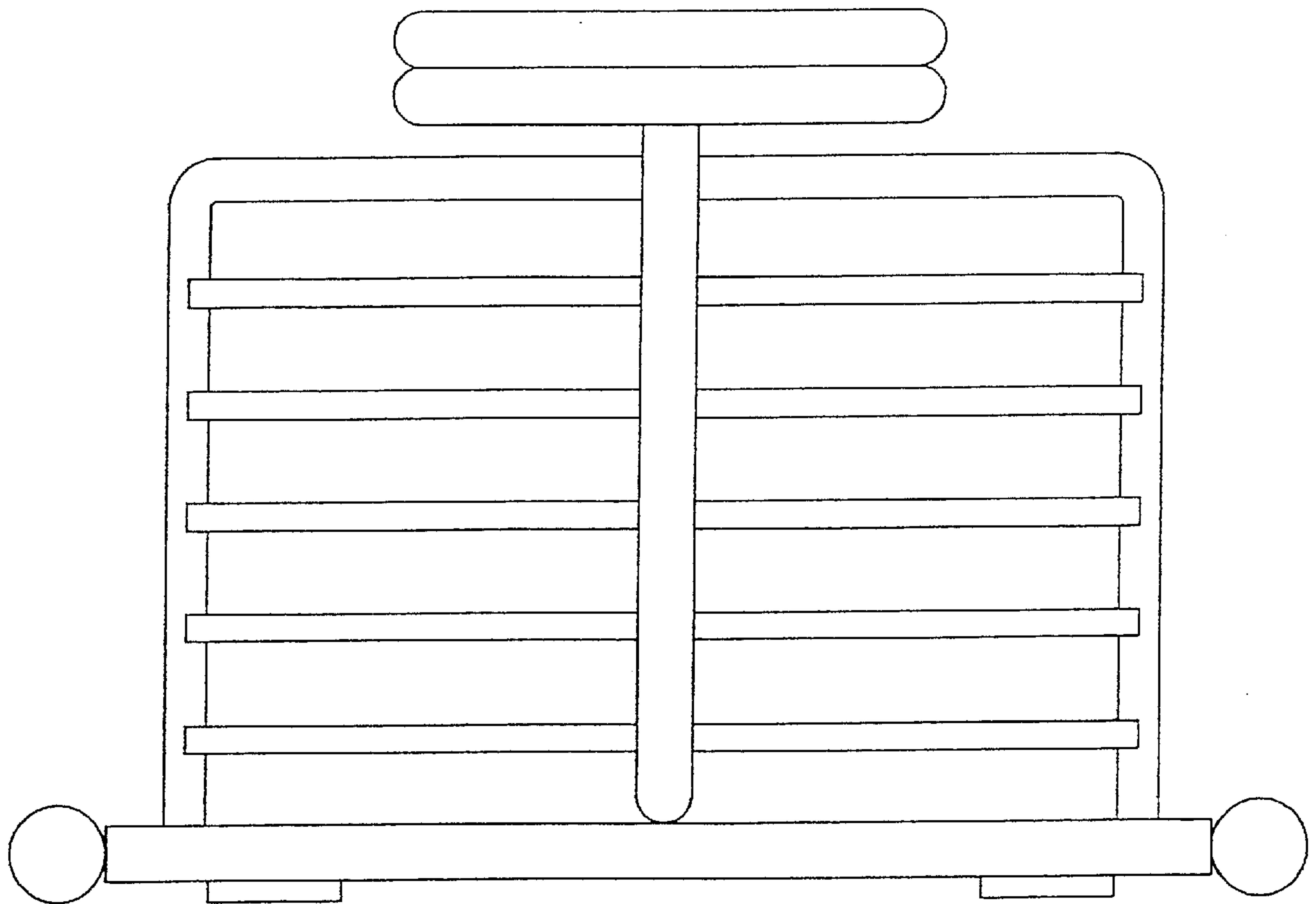


FIG. 8

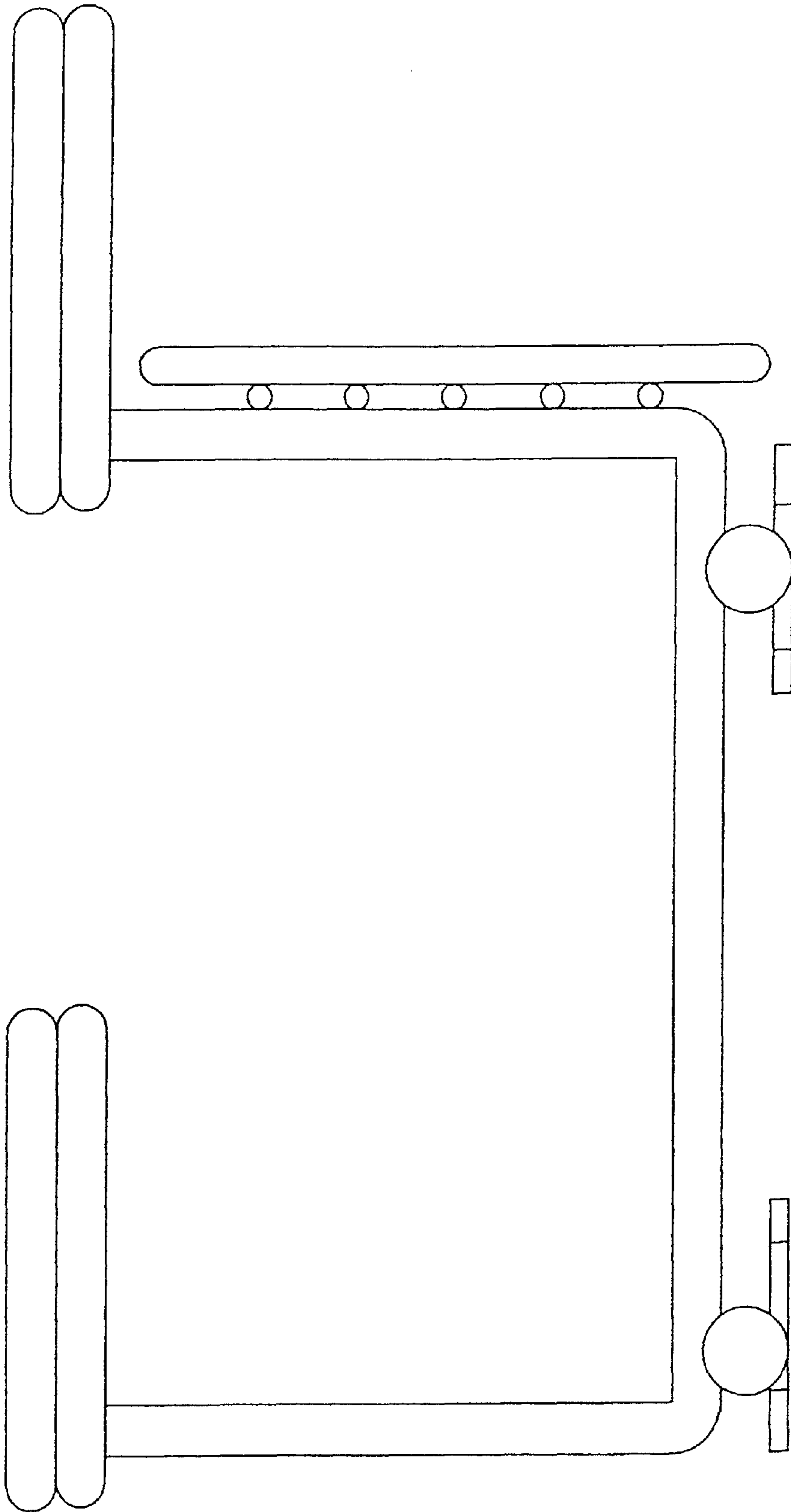


FIG. 9

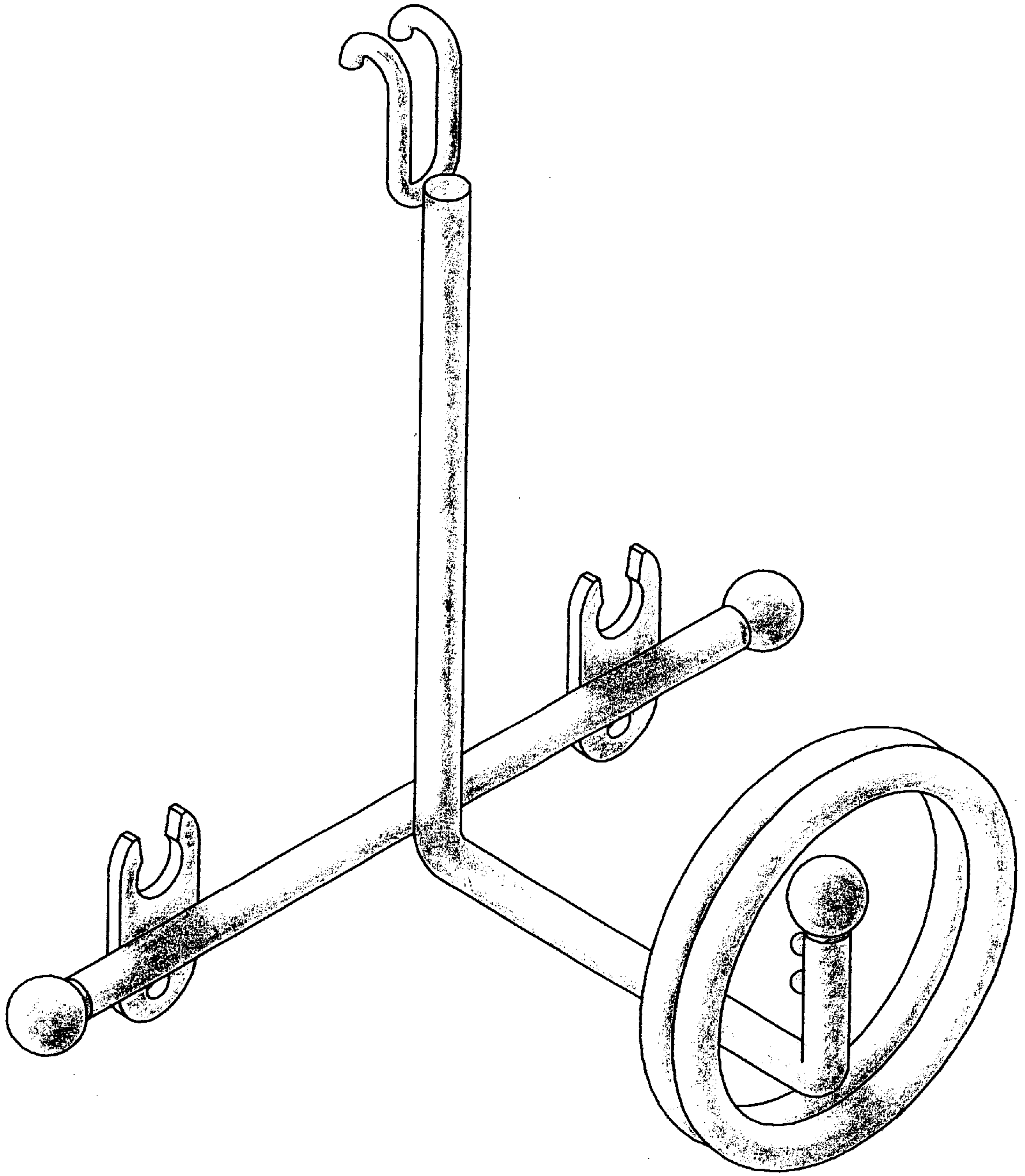


FIG. 10



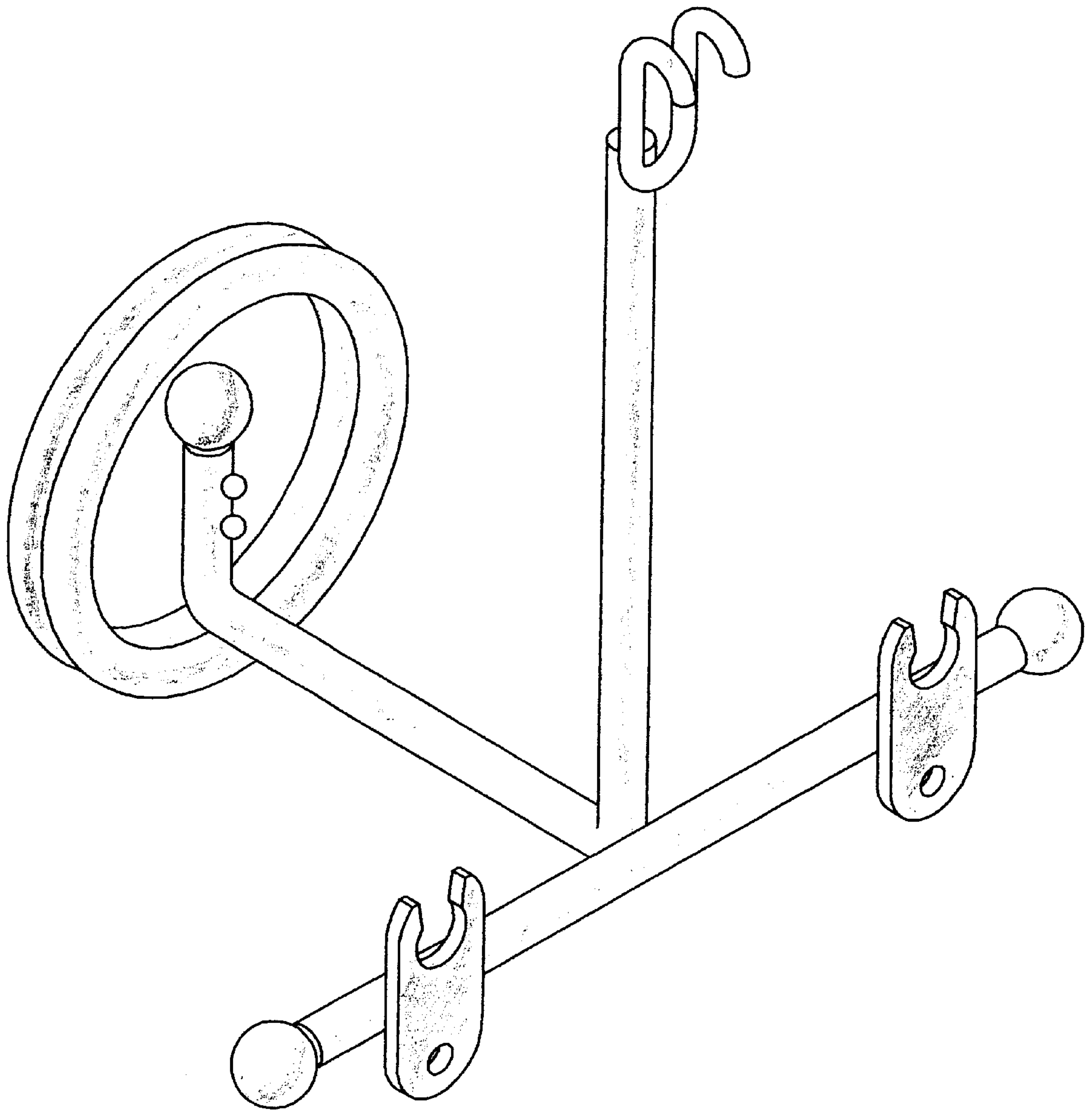


FIG. 11

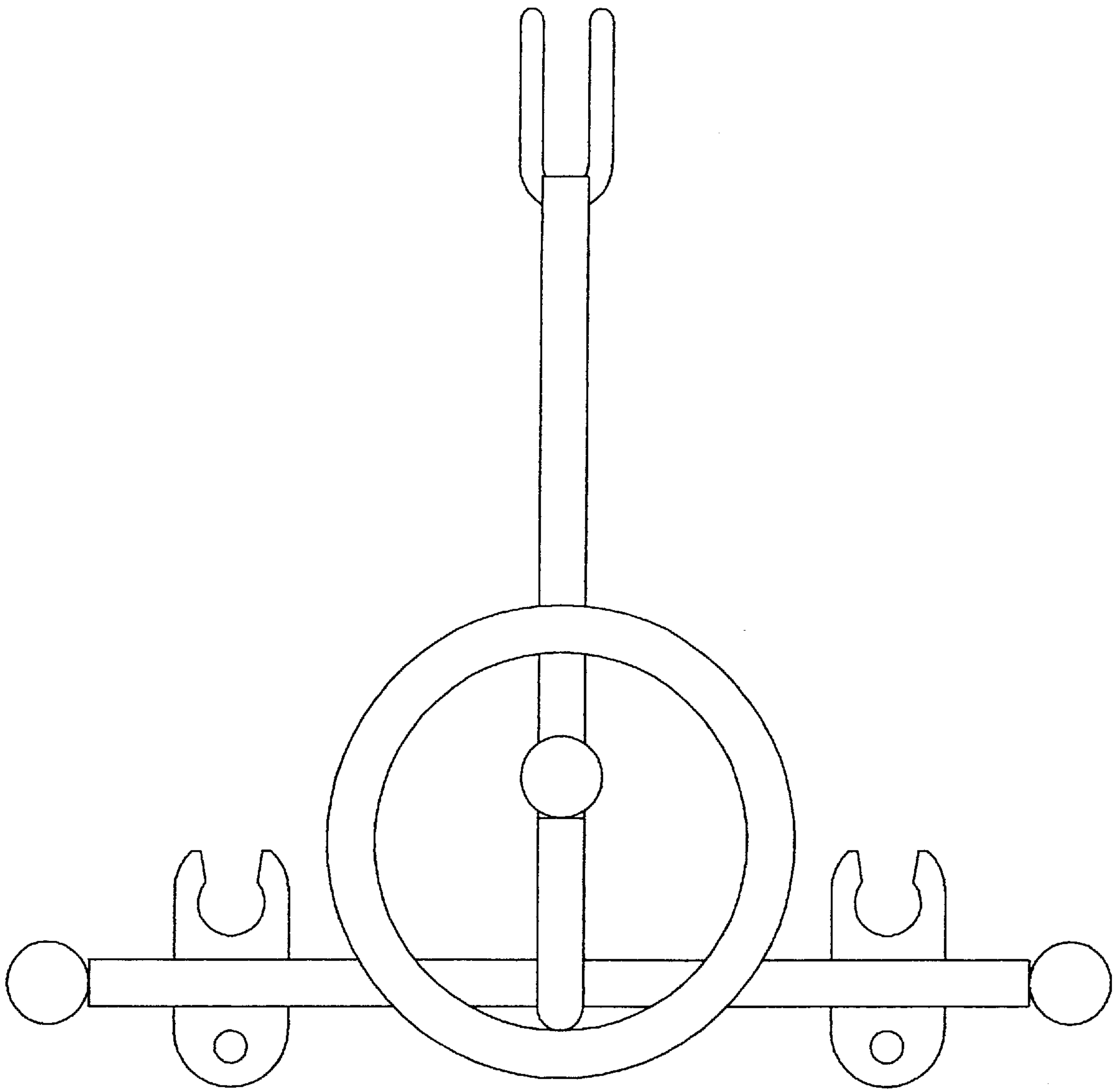


FIG. 12

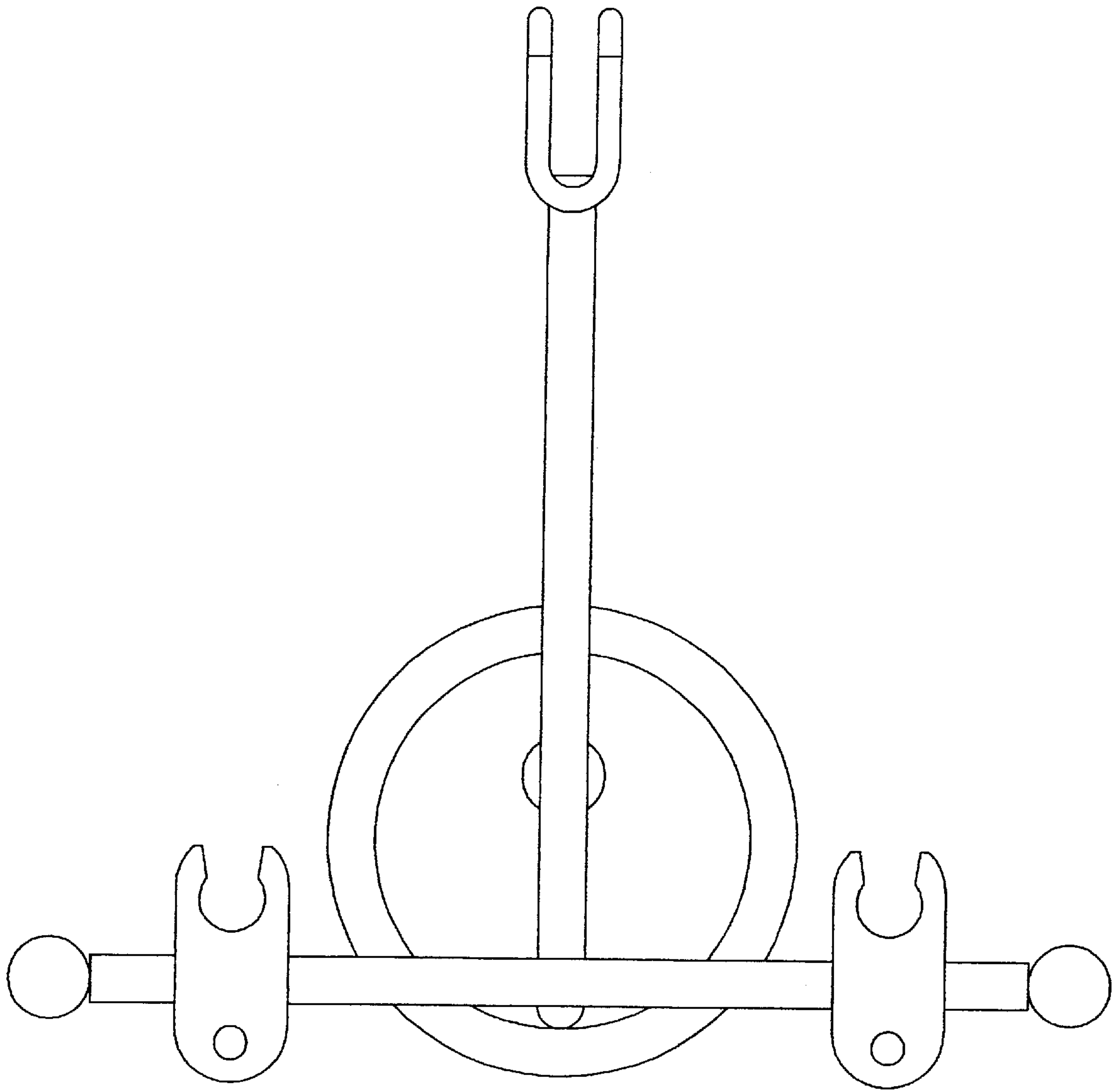


FIG. 13



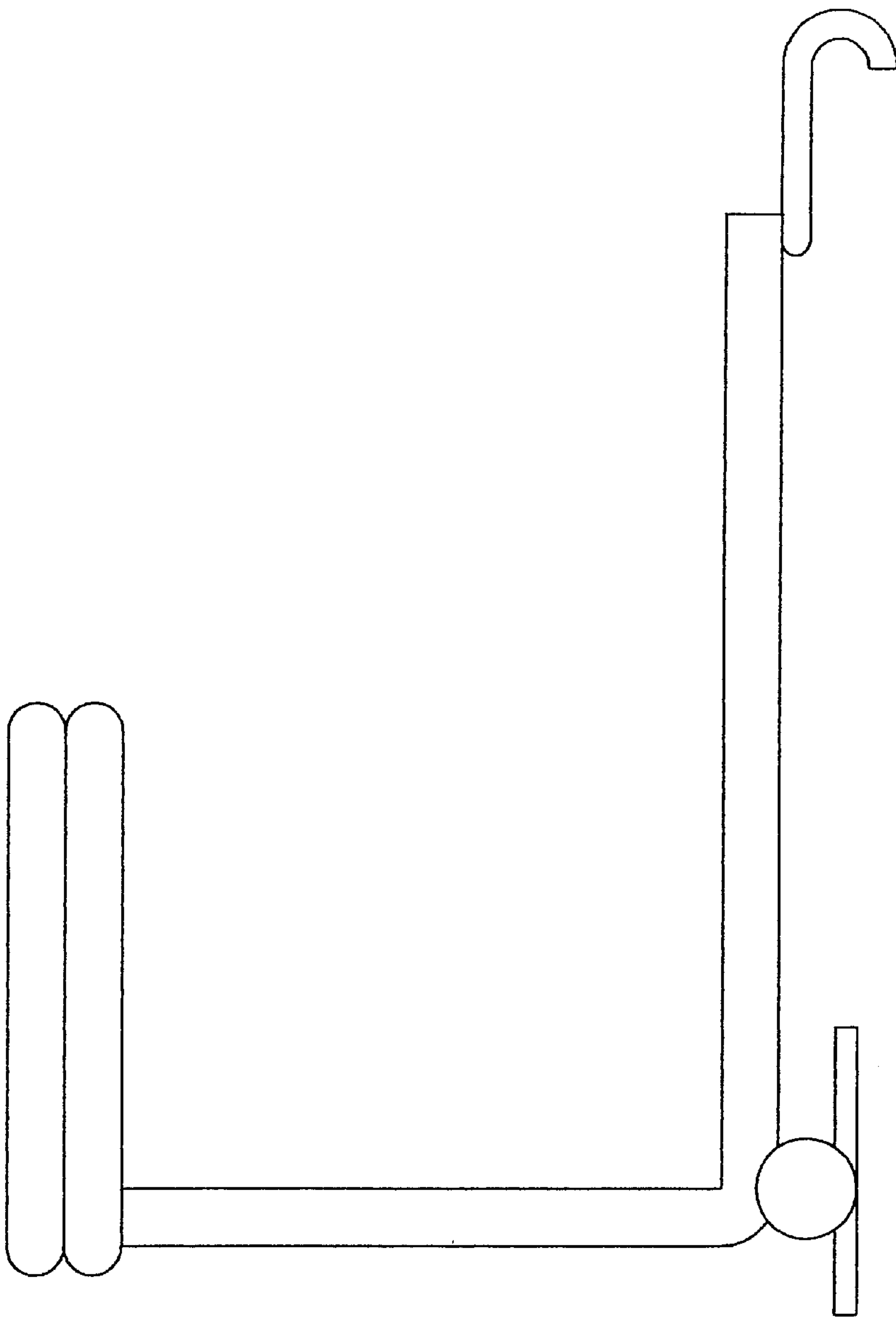


FIG. 14

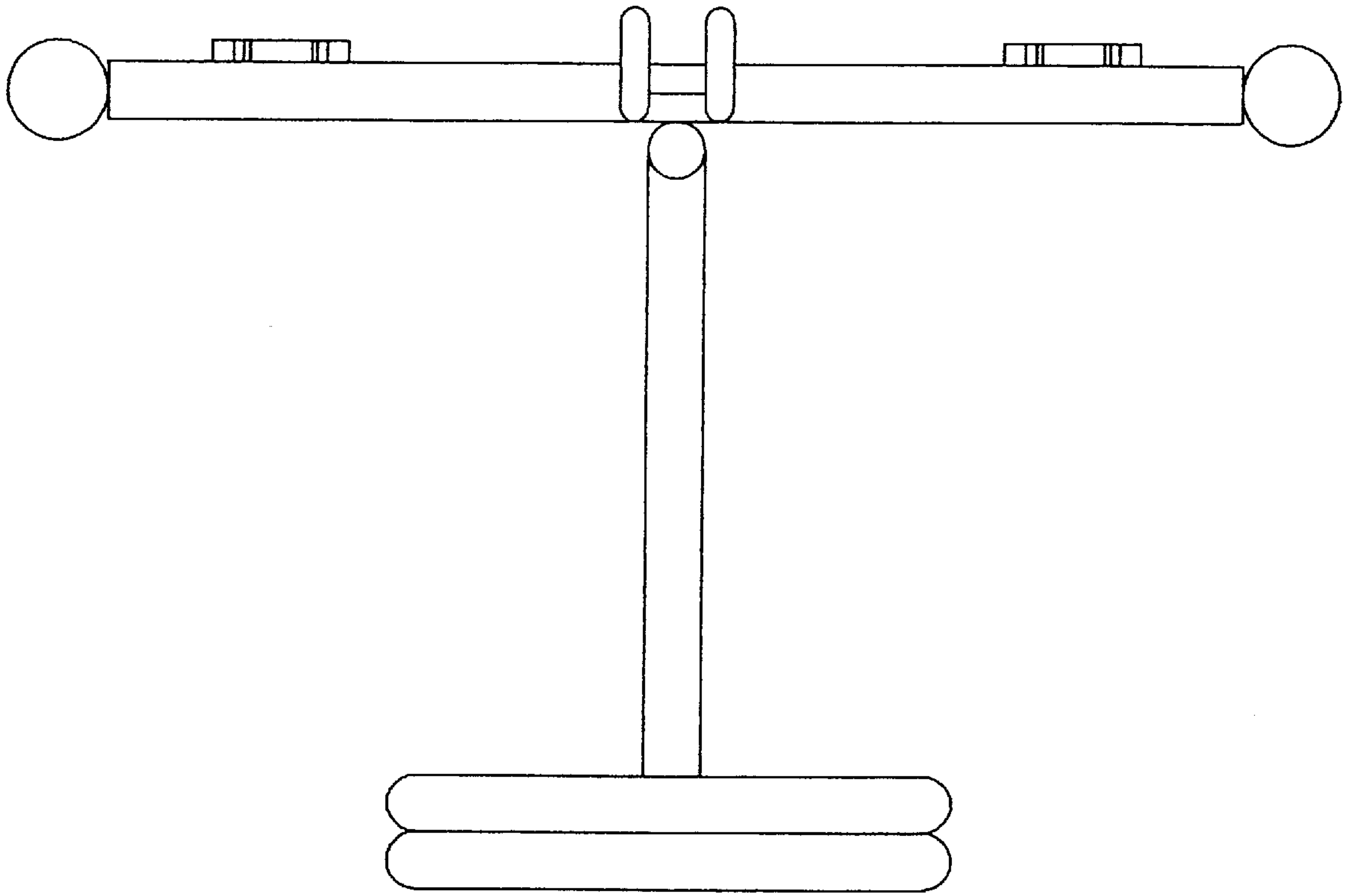


FIG. 15

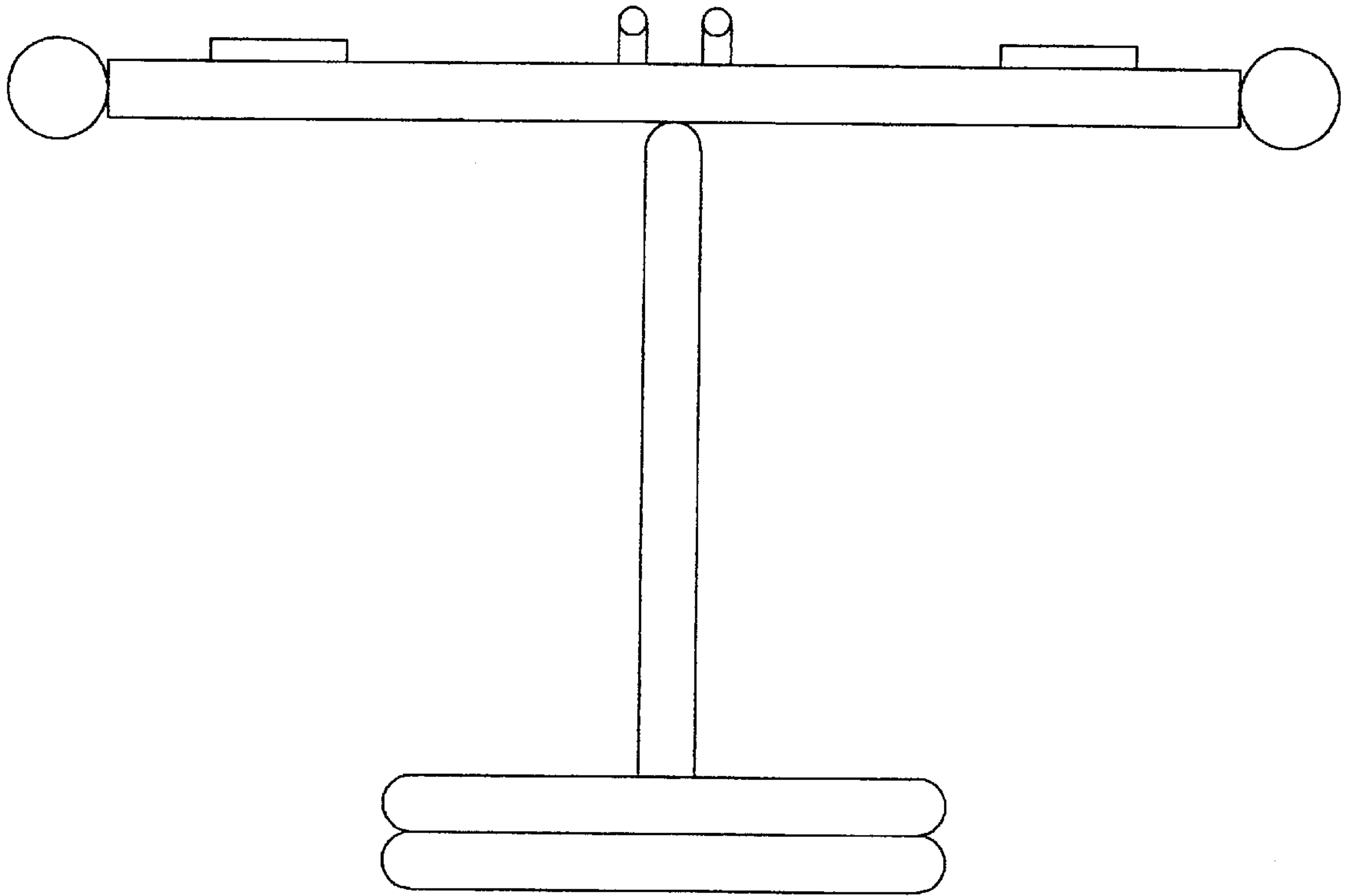


FIG. 16