



US00D463183S

(12) **United States Design Patent**
Tramontina

(10) **Patent No.: US D463,183 S**

(45) **Date of Patent: ** Sep. 24, 2002**

(54) **ORNAMENTAL MOUNTING STAND AND DISPENSER**

(75) **Inventor: Paul Francis Tramontina, Alpharetta, GA (US)**

(73) **Assignee: Kimberly-Clark Worldwide, Inc., Neenah, WI (US)**

(**) **Term: 14 Years**

(21) **Appl. No.: 29/129,484**

(22) **Filed: Sep. 14, 2000**

(51) **LOC (7) Cl. 20-02**

(52) **U.S. Cl. D6/515; D6/396; D7/631**

(58) **Field of Search D6/515-523, 396, D6/408, 411, 491, 495, 496, 509; D7/631; 211/45-48, 13.1, 86.01; 222/173-174, 180; 221/282, 284, 45; 248/205.1, 218.4, 346.01, 910**

(56) **References Cited**

U.S. PATENT DOCUMENTS

369,476	A	9/1887	Slaughter	
923,647	A	6/1909	Gullong	
1,424,907	A	8/1922	Hulit	
1,684,188	A	9/1928	Merrin	
1,696,556	A	12/1928	Schofer	
1,702,983	A	2/1929	Shaffer et al.	
D156,439	S	* 12/1949	Lebensfeld	D6/495
2,945,659	A	7/1960	McDonald	248/156
3,324,754	A	6/1967	Peavy	83/648
3,415,475	A	* 12/1968	Goodman	248/910 X
D233,926	S	* 12/1974	Sebel	D6/495
3,865,249	A	* 2/1975	Herzog	248/218.4
D243,986	S	* 4/1977	O'Leary, Jr.	D6/495
D313,716	S	* 1/1991	Jacques	D6/523
5,090,592	A	* 2/1992	Petterson et al.	221/45 X
D350,041	S	* 8/1994	Schwarzli	D6/495
5,732,833	A	3/1998	Alvarado et al.	211/59.1

D403,823	S	* 1/1999	Thomsen	D6/495 X
D427,467	S	* 7/2000	Akoto	D6/515
D435,379	S	* 12/2000	Nguyen	D6/515
6,241,118	B1	6/2001	Tramontina	
D445,273	S	* 7/2001	Brown et al.	D6/396
D447,649	S	* 9/2001	Mason	D6/495
D449,496	S	* 10/2001	Tramontina	D7/631

FOREIGN PATENT DOCUMENTS

WO	99/30601	6/1999
WO	00/33713	6/2000

* cited by examiner

Primary Examiner—Brian N. Vinson

(74) *Attorney, Agent, or Firm*—Karl V. Sidor

(57) **CLAIM**

I claim the ornamental design for an ornamental mounting stand and dispenser, as shown and described.

DESCRIPTION

FIG. 1 is an oblique elevational view as seen from the left front edge of a mounting stand and dispenser showing my new design.

FIG. 2 is an oblique elevational view as seen from the left front edge of the mounting stand and dispenser, the oblique elevational view being substantially the same as FIG. 1. The broken line showing of a dispensing opening is for illustrative purposes and forms no part of the claimed design.

FIG. 3 is a front elevational view thereof.

FIG. 4 is a front elevational view thereof, the front elevational view being substantially the same as FIG. 3. The broken line showing of a dispensing opening is for illustrative purposes and forms no part of the claimed design.

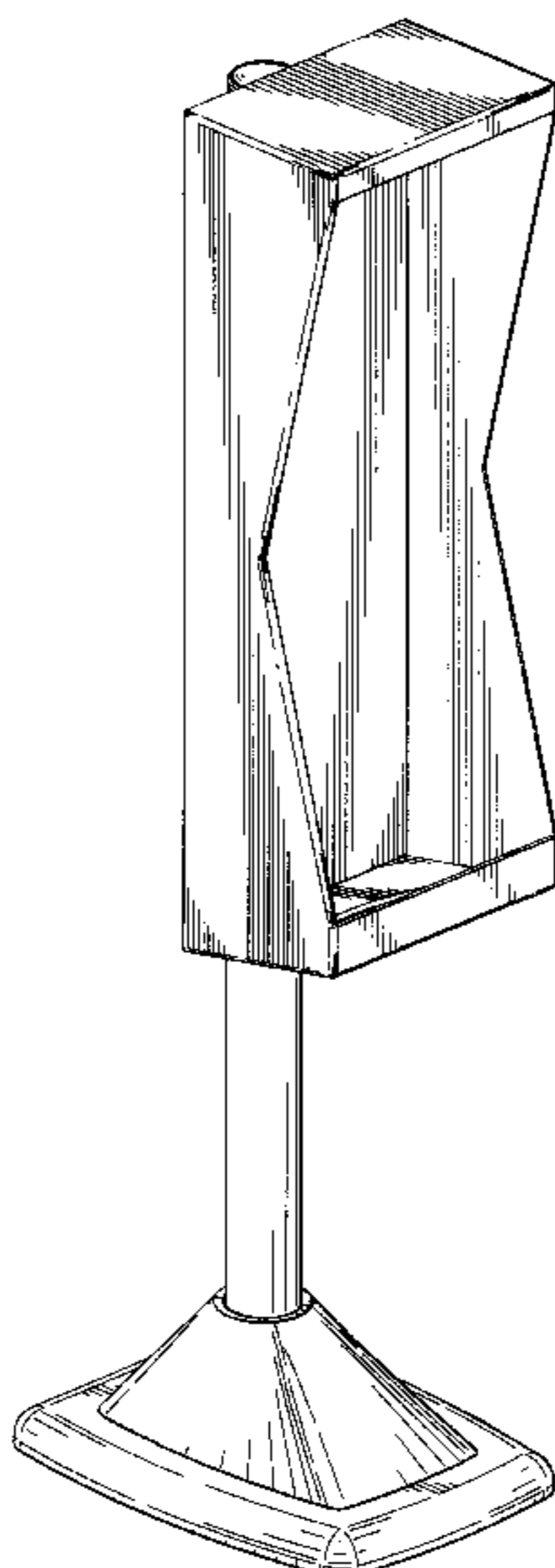
FIG. 5 is a left side elevational view thereof, the right side being a mirror image.

FIG. 6 is a rear elevational view thereof.

FIG. 7 is a top plan view thereof; and,

FIG. 8 is a bottom plan view thereof.

1 Claim, 5 Drawing Sheets



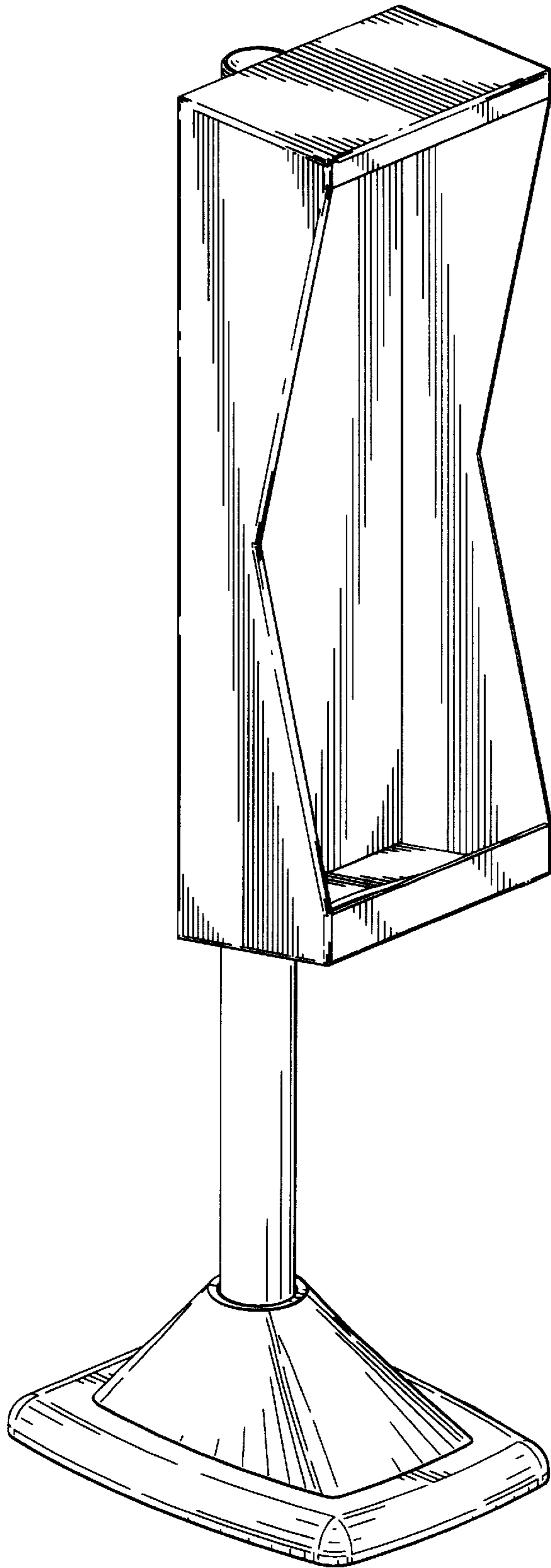


FIG 1

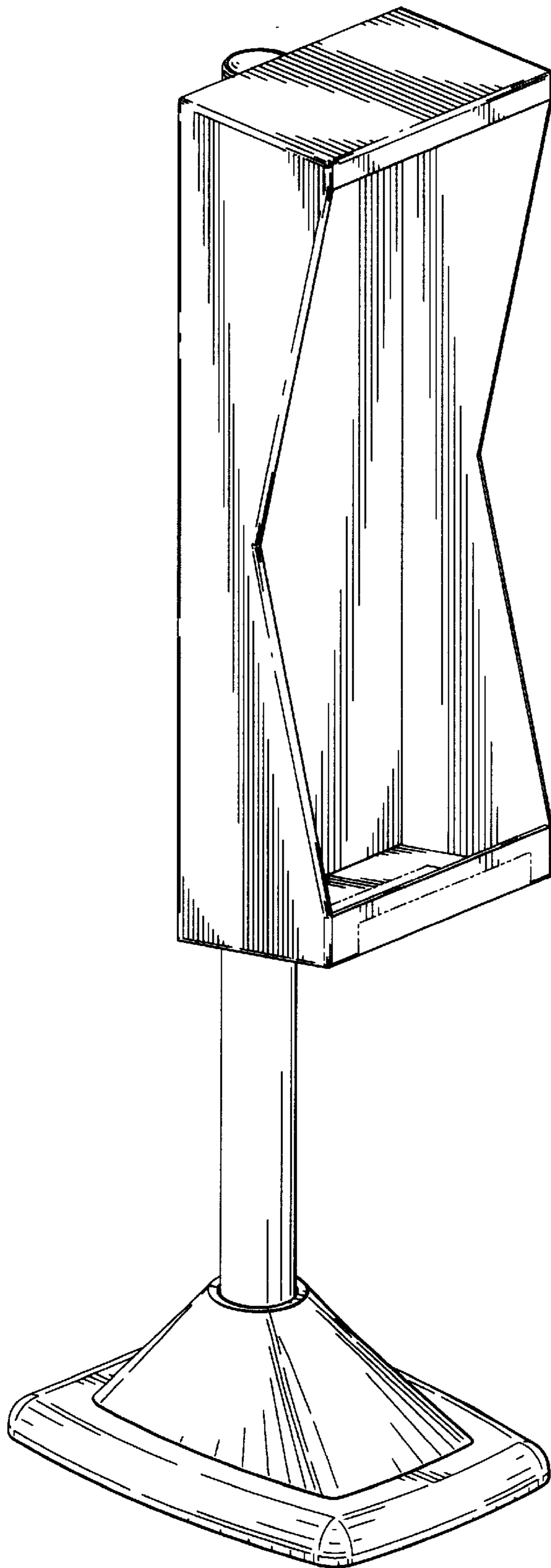


FIG 2

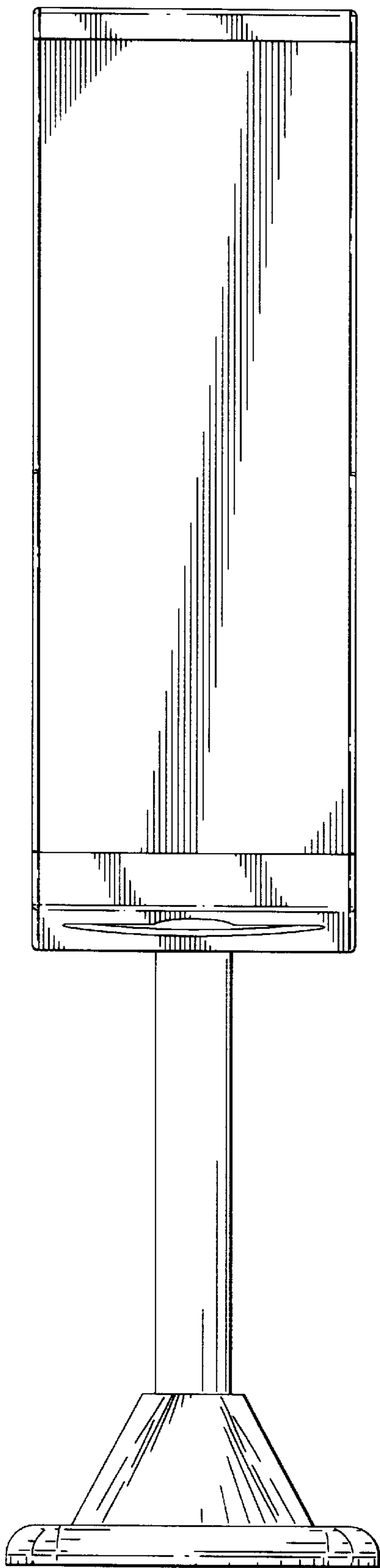


FIG 3

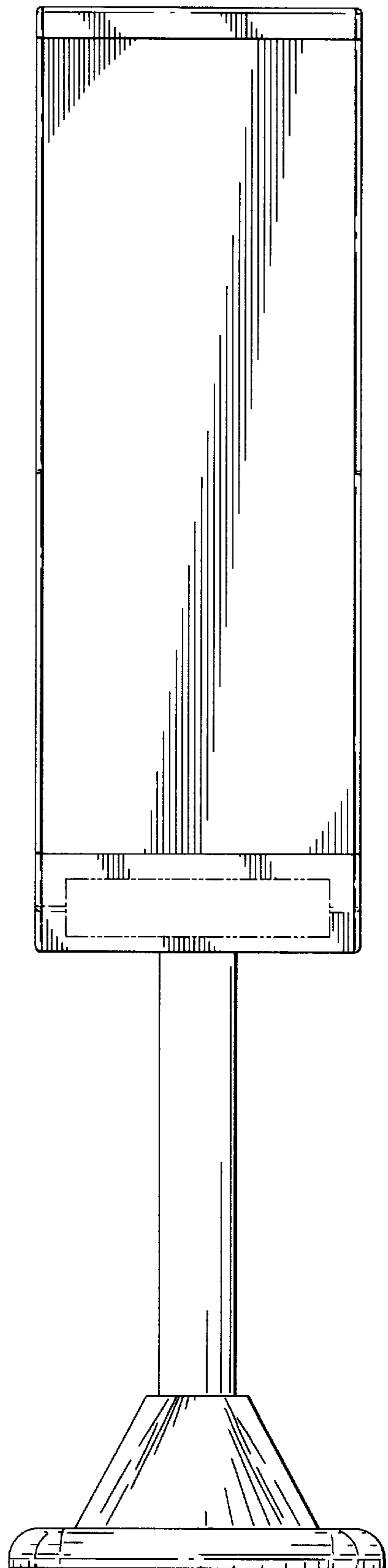


FIG 4

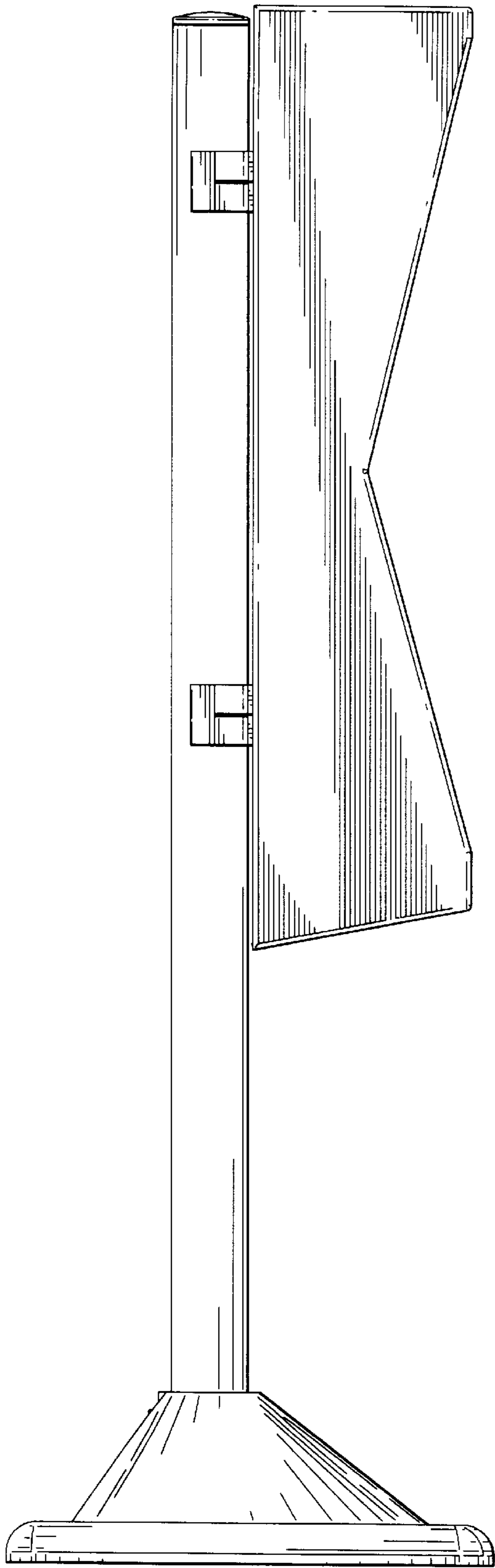


FIG 5

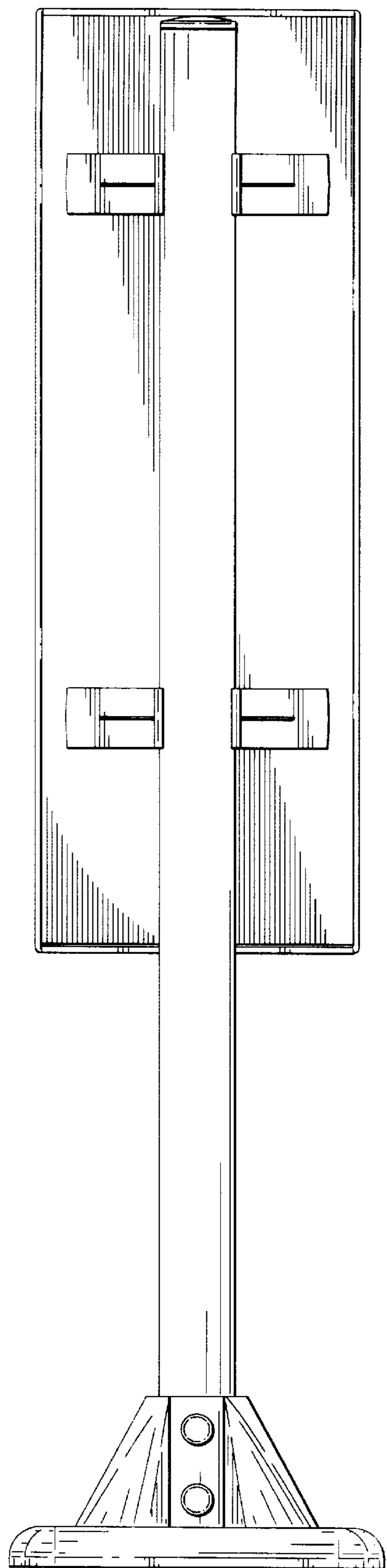


FIG 6

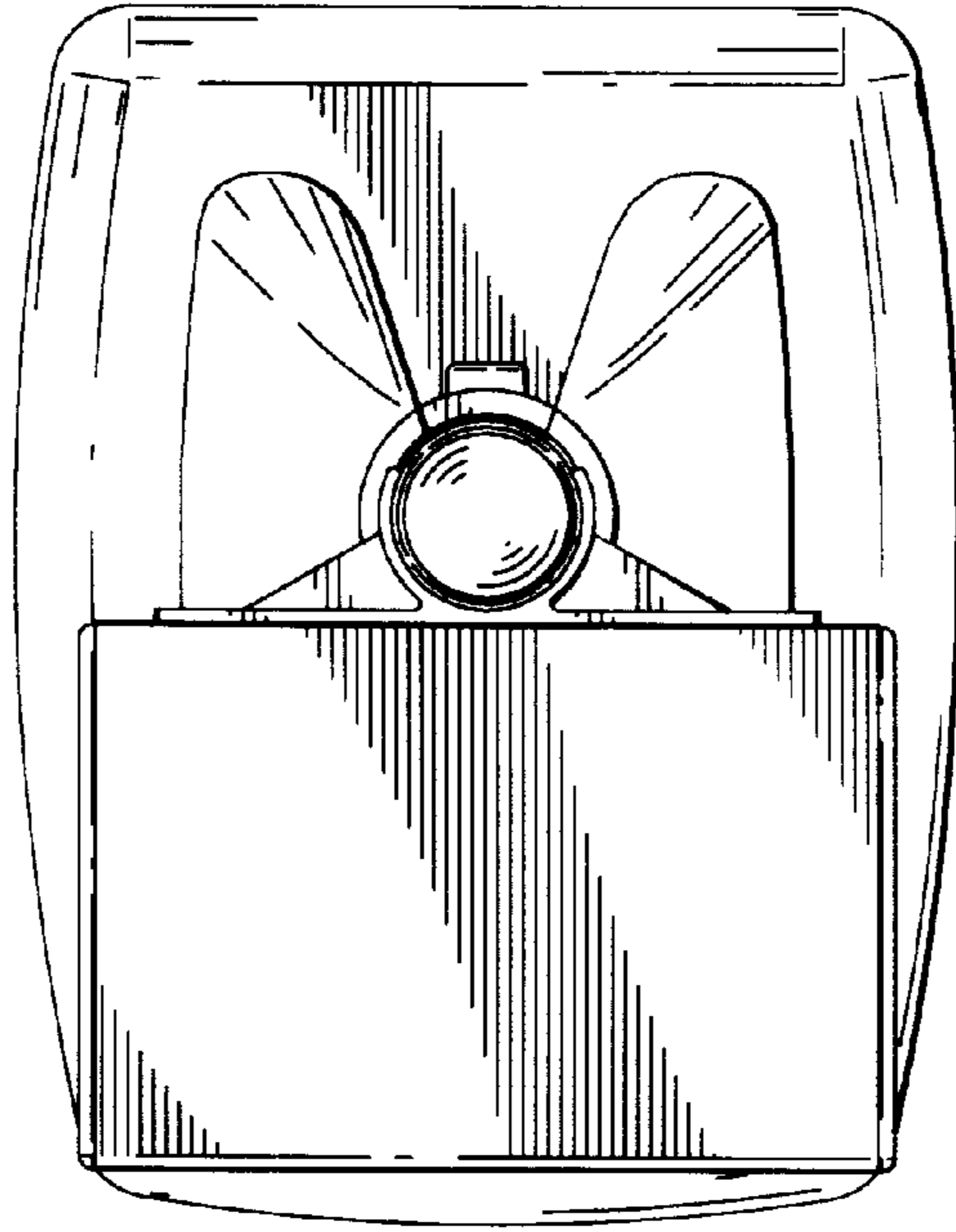


FIG 7

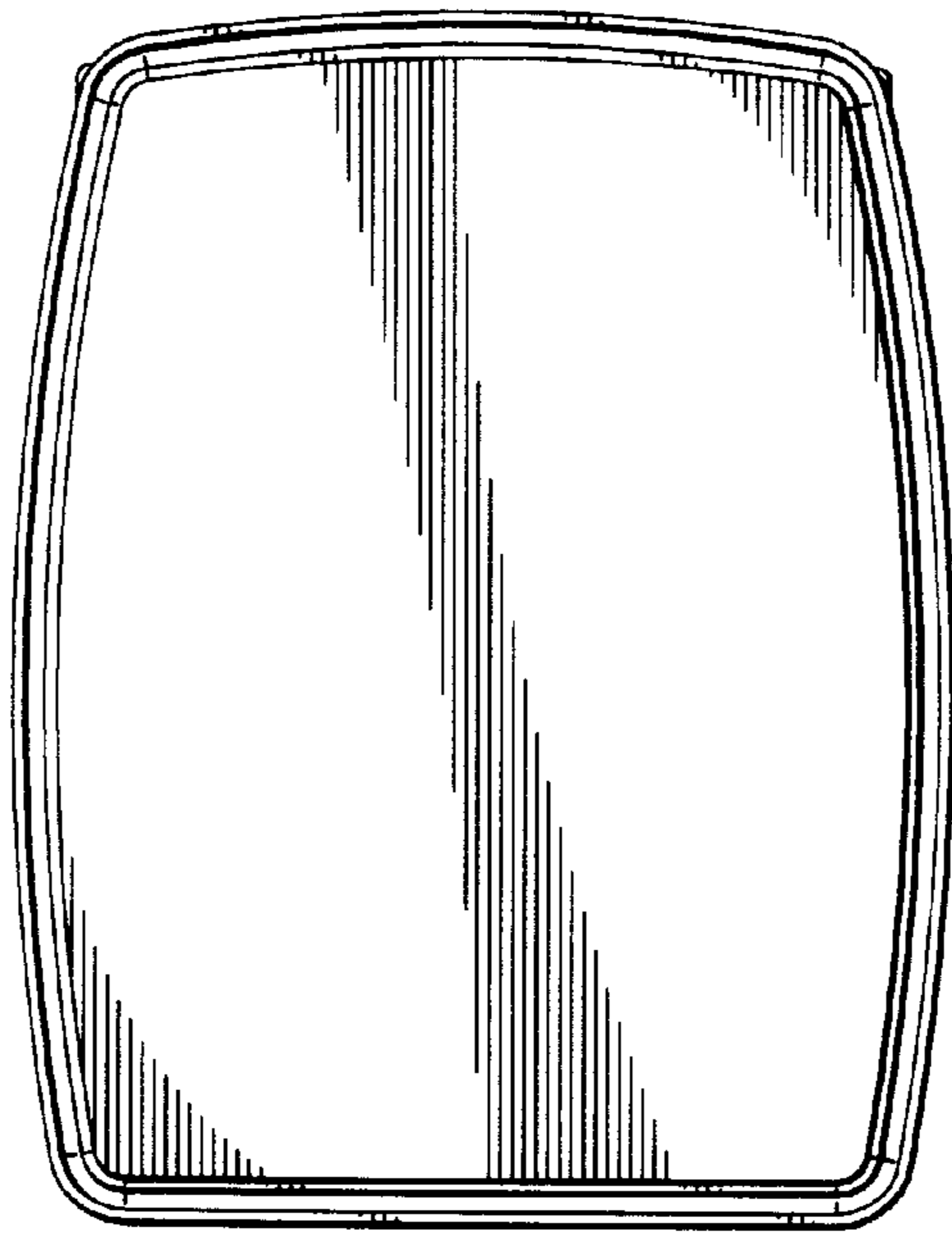


FIG 8