



US00D463182S

(12) **United States Design Patent**  
**Klein et al.**

(10) **Patent No.:** **US D463,182 S**

(45) **Date of Patent:** **\*\* Sep. 24, 2002**

(54) **DOOR MOUNTED SHOE RACK WITH  
DOUBLE LOOP SHOE SUPPORTS**

(75) Inventors: **Richard B. Klein**, Overland Park, KS  
(US); **John W. Scott**, Lenexa, KS (US);  
**Chris Serslev**, Leawood, KS (US)

(73) Assignee: **Lynk, Inc.**, Lenexa, KS (US)

(\*\*) Term: **14 Years**

(21) Appl. No.: **29/148,920**

(22) Filed: **Sep. 28, 2001**

(51) **LOC (7) Cl.** ..... **06-06**

(52) **U.S. Cl.** ..... **D6/514; D6/566; D6/327**

(58) **Field of Search** ..... D6/512, 514, 566,  
D6/315, 320, 324, 327; 211/13.1, 85.3,  
30, 32, 34, 35, 37, 181.1

(56) **References Cited**

**U.S. PATENT DOCUMENTS**

- 2,815,862 A 12/1957 Einhorn
- 3,913,745 A 10/1975 Weiss
- 3,918,670 A 11/1975 Doherty
- 4,463,853 A 8/1984 Licari et al.
- D287,550 S \* 1/1987 Tocci ..... D6/320
- 4,915,238 A 4/1990 Cassel

- 4,981,221 A 1/1991 Davis
- 5,103,985 A 4/1992 Davis
- D354,412 S \* 1/1995 Emery ..... D6/514 X
- 5,695,073 A 12/1997 Klein et al.
- D393,970 S \* 5/1998 Lee ..... D6/514
- 5,855,279 A 1/1999 Klein et al.
- 6,065,613 A \* 5/2000 Gusdorf et al. .... 211/34

\* cited by examiner

*Primary Examiner*—Brian N. Vinson

(74) *Attorney, Agent, or Firm*—Shook, Hardy & Bacon  
L.L.P.

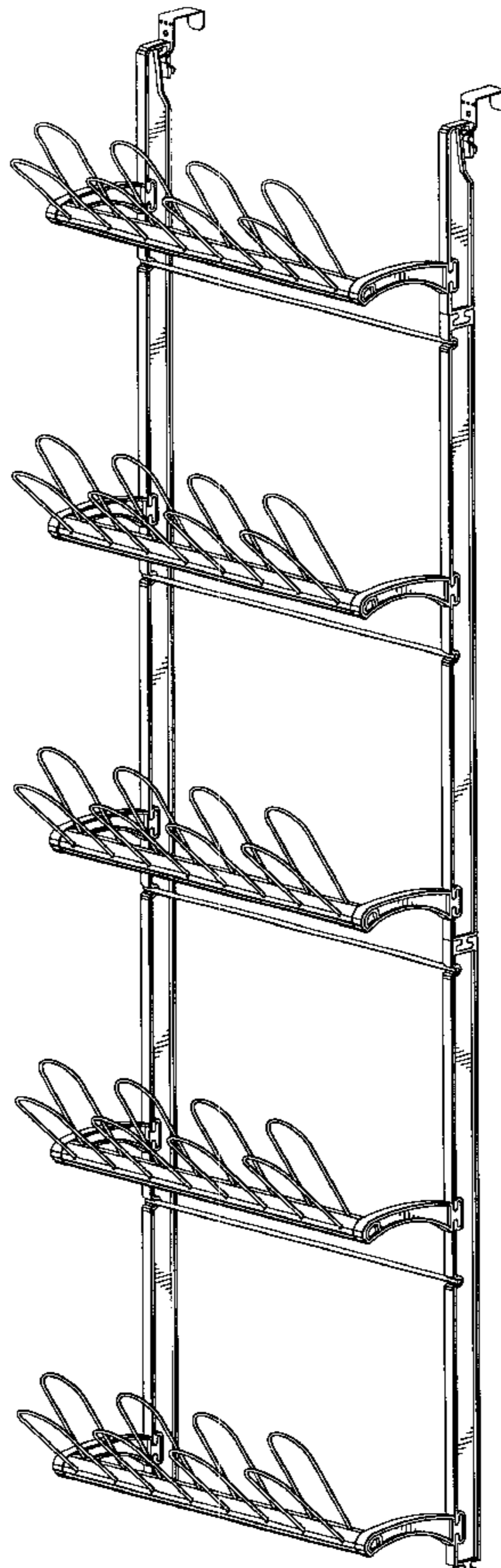
(57) **CLAIM**

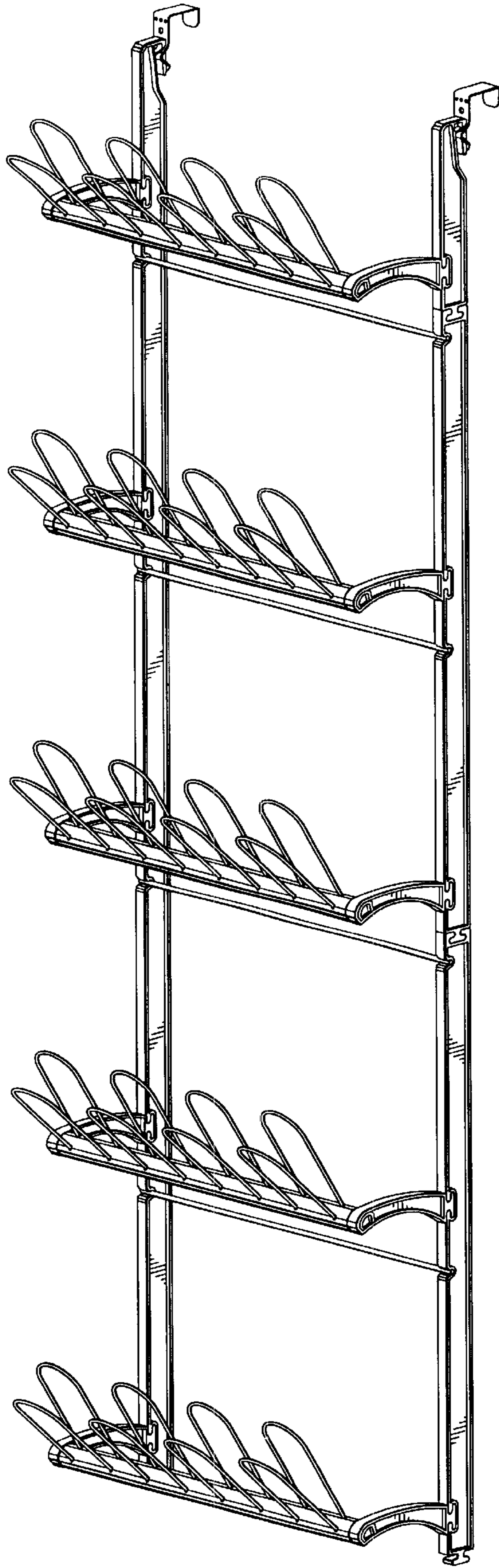
The ornamental design for a door mounted shoe rack with double loop shoe supports, as shown and described.

**DESCRIPTION**

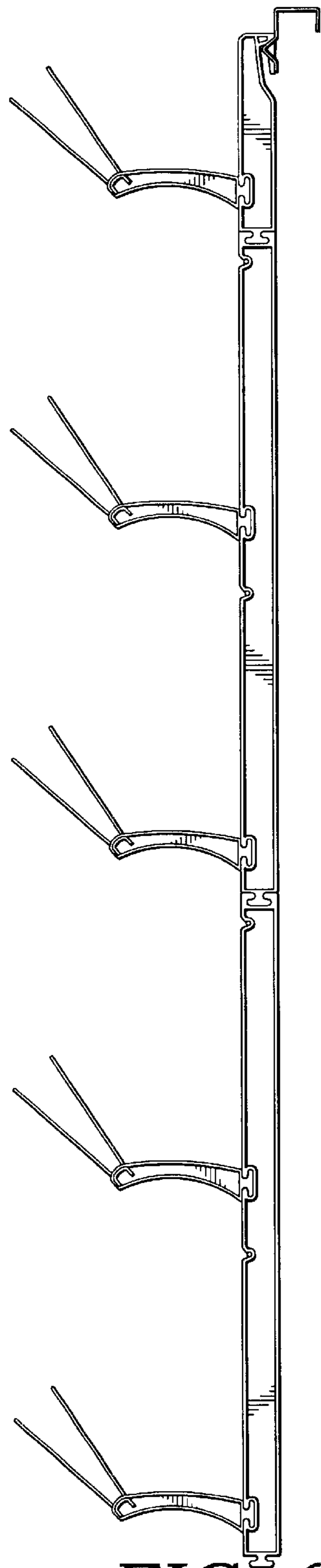
FIG. 1 is a perspective view of a door mounted shoe rack with double loop shoe supports showing our new design; FIG. 2 is a side elevational view from the right side thereof, the opposite side appearing as substantially a mirror image; FIG. 3 is a front elevational view thereof; FIG. 4 is a rear elevational view thereof; FIG. 5 is a top plan view thereof; and, FIG. 6 is a bottom plan view thereof.

**1 Claim, 4 Drawing Sheets**

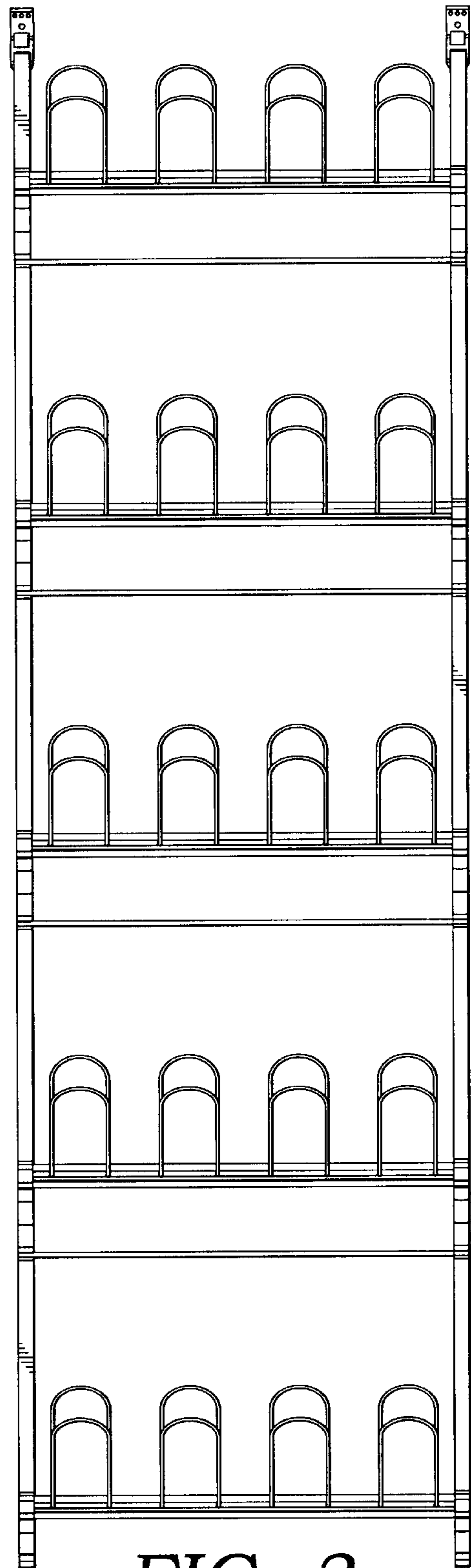




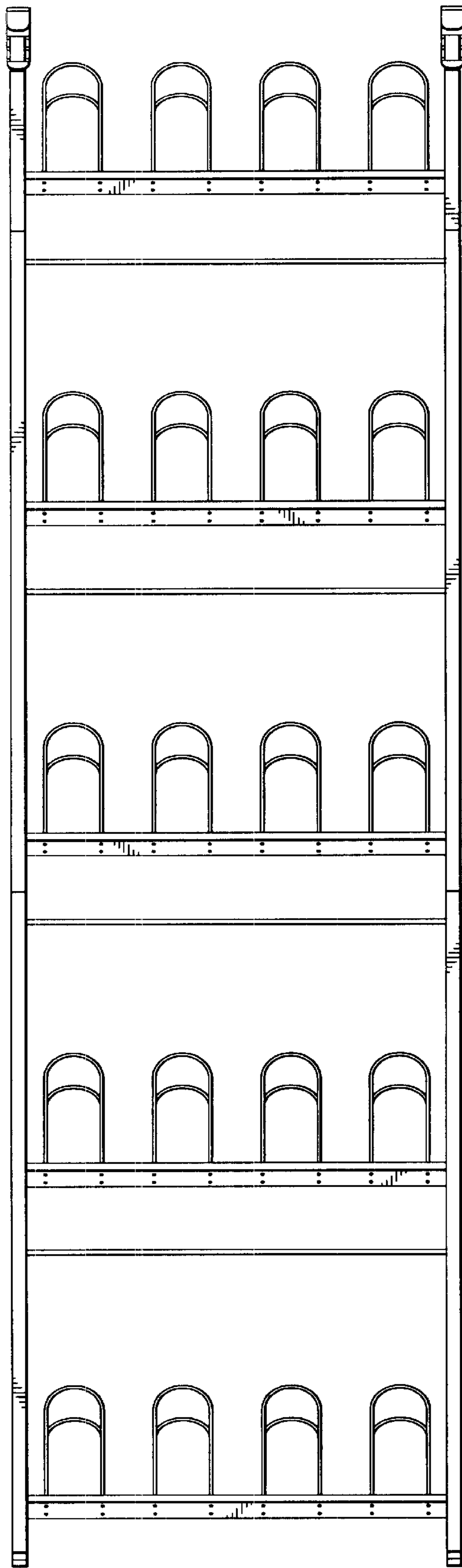
*FIG.*  
*1.*



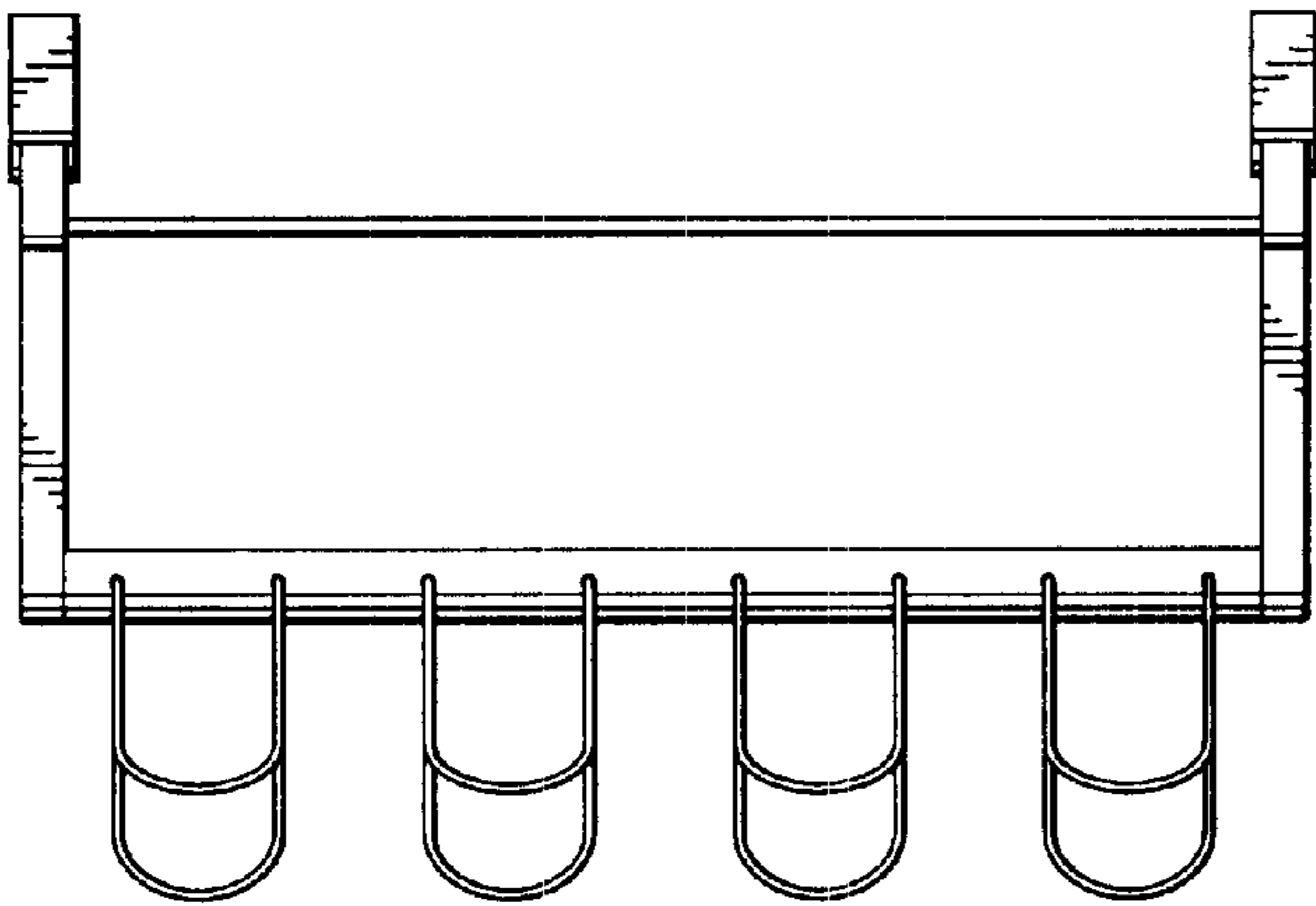
*FIG. 2.*



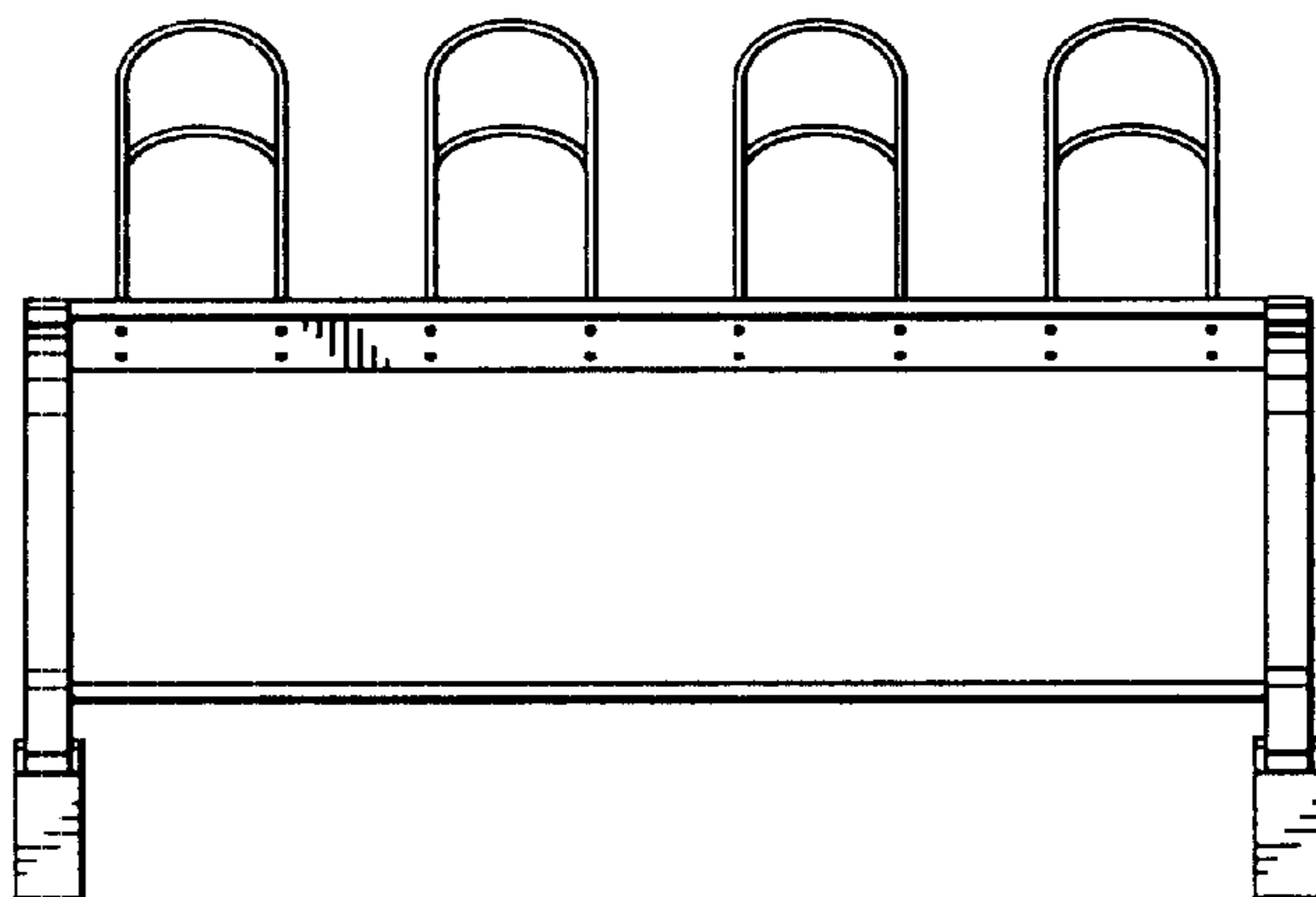
*FIG. 3.*



*FIG.*  
4.



*FIG. 5.*



*FIG. 6.*