



US00D463179S

(12) **United States Design Patent**
Brooke

(10) **Patent No.:** **US D463,179 S**

(45) **Date of Patent:** **** Sep. 24, 2002**

(54) **TOP RAIL MEMBER OF A BED SIDERAIL**

(75) Inventor: **Jason C. Brooke**, Mt. Pleasant, SC
(US)

(73) Assignee: **Hill-Rom Services, Inc.**, Wilmington,
DE (US)

(**) Term: **14 Years**

(21) Appl. No.: **29/139,803**

(22) Filed: **Apr. 5, 2001**

(51) **LOC (7) Cl.** **06-06**

(52) **U.S. Cl.** **D6/503**

(58) **Field of Search** D6/382, 392-395,
D6/505-508, 503, 491, 501, 370; 5/662,
174, 177-180, 600, 611-614, 286, 732,
424, 425, 428

4,676,687 A	6/1987	Koffler	
4,724,555 A	2/1988	Poehner et al.	
4,745,647 A	5/1988	Goodwin	
4,827,545 A	5/1989	Arp	
4,847,929 A	7/1989	Pupovic	
4,912,787 A	4/1990	Bradovich	
4,935,968 A	6/1990	Hunt et al.	
4,985,946 A	1/1991	Foster et al.	
4,998,939 A	3/1991	Potthast et al.	
D317,229 S	* 6/1991	Votteler D6/379
5,023,967 A	6/1991	Ferrand	
5,035,014 A	7/1991	Blanchard	
5,072,463 A	12/1991	Willis	
5,077,843 A	1/1992	Dale et al.	
5,083,334 A	1/1992	Huck et al.	
5,084,925 A	2/1992	Cook	
5,117,521 A	6/1992	Foster et al.	

(List continued on next page.)

OTHER PUBLICATIONS

Paramount Bed; catalog pp. 1-63, date unknown.

* cited by examiner

Primary Examiner—Janice E. Seeger
(74) *Attorney, Agent, or Firm*—Bose McKinney & Evans
LLP

(57) **CLAIM**

The ornamental design for a top rail member of a bed siderail, as shown and described.

DESCRIPTION

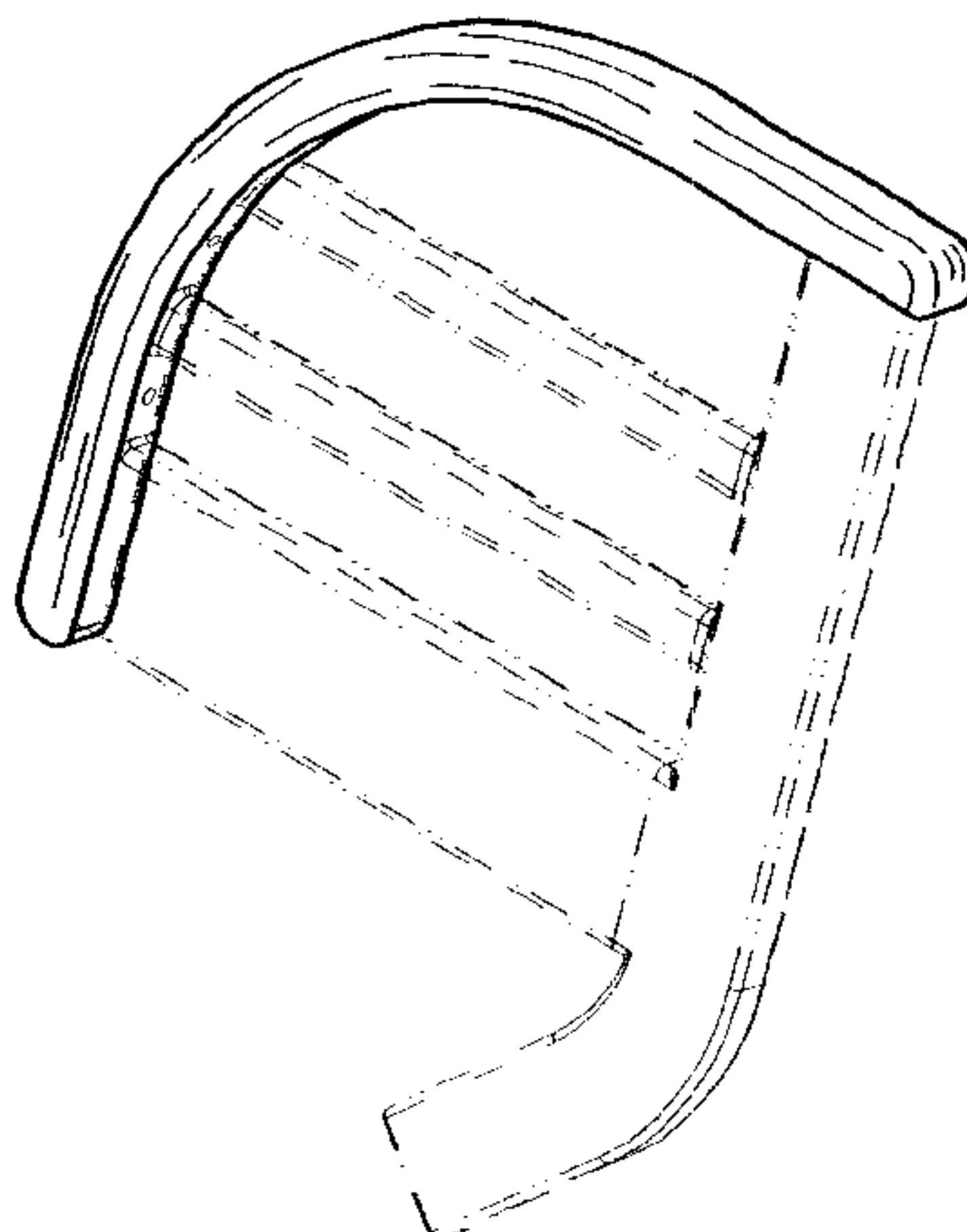
FIG. 1 is a perspective view of a top rail member of a bed siderail;
FIG. 2 is a side elevation view of thereof;
FIG. 3 is another side elevation view thereof;
FIG. 4 is a side elevation view thereof;
FIG. 5 is another side elevation view thereof;
FIG. 6 is a top plan view thereof; and,
FIG. 7 is a bottom plan view thereof.
The broken lines are for environmental purposes only and form no part of the claimed design.

1 Claim, 2 Drawing Sheets

(56) **References Cited**

U.S. PATENT DOCUMENTS

421,656 A	2/1890	Blanken	
2,136,088 A	11/1938	Stevens	
D161,894 S	* 2/1951	Becker, Jr. D6/379
2,587,291 A	2/1952	Rochers	
2,722,017 A	11/1955	Burst et al.	
2,747,919 A	5/1956	Ferneau et al.	
3,018,492 A	1/1962	Rosen	
3,321,779 A	5/1967	Kaufman et al.	
3,386,590 A	* 6/1968	Gretz D6/491
3,506,989 A	4/1970	Ross et al.	
3,585,659 A	6/1971	Burst et al.	
3,806,109 A	4/1974	Weber et al.	
3,905,591 A	9/1975	Schorr et al.	
3,932,903 A	1/1976	Adams et al.	
4,183,015 A	1/1980	Drew et al.	
4,186,456 A	2/1980	Huempfner	
4,214,326 A	7/1980	Spann	
4,215,446 A	8/1980	Mahoney	
4,439,880 A	4/1984	Koncelik et al.	
4,592,104 A	6/1986	Foster et al.	
4,646,211 A	2/1987	Gallant et al.	
4,653,129 A	3/1987	Kuck et al.	
D289,951 S	5/1987	Goodwin	



US D463,179 S

Page 2

U.S. PATENT DOCUMENTS

5,121,513 A	6/1992	Thomas et al.	5,577,277 A	11/1996	Sundberg et al.
5,129,117 A	7/1992	Celestina et al.	5,586,346 A	12/1996	Stacy et al.
5,179,744 A	1/1993	Foster et al.	5,623,736 A	4/1997	Soltani et al.
D336,577 S	6/1993	Celestina et al.	5,682,631 A	11/1997	Weismiller et al.
D336,578 S	6/1993	Celestina	5,689,839 A	11/1997	Laganieri et al.
5,216,768 A	6/1993	Bodine et al.	5,771,511 A *	6/1998	Kummer et al. 5/600
5,269,030 A	12/1993	Pahno et al.	5,774,914 A	7/1998	Johnson et al.
5,269,388 A	12/1993	Reichow et al.	5,781,945 A	7/1998	Scherer et al.
5,317,769 A	6/1994	Weismiller et al.	5,802,636 A	9/1998	Corbin et al.
5,337,845 A	8/1994	Foster et al.	5,906,017 A	5/1999	Ferrand et al.
5,370,111 A	12/1994	Reeder et al.	6,009,575 A *	1/2000	Hsieh 5/174
5,381,571 A	1/1995	Gabhart	6,021,533 A	2/2000	Ellis et al.
5,398,357 A	3/1995	Foster	6,058,531 A	5/2000	Carroll
5,454,126 A	10/1995	Foster et al.	6,073,289 A	6/2000	Bolden et al.
5,461,673 A	10/1995	Coons	6,141,806 A	11/2000	Bobey et al.
5,481,772 A	1/1996	Glynn et al.	6,185,767 B1	2/2001	Brooke et al.
5,513,406 A	5/1996	Foster et al.	6,240,580 B1	6/2001	Hamilton et al.
5,542,138 A	8/1996	Williams et al.	6,240,583 B1	6/2001	Brooke et al.
			D449,459 S *	10/2001	Diez Mintegi D6/374

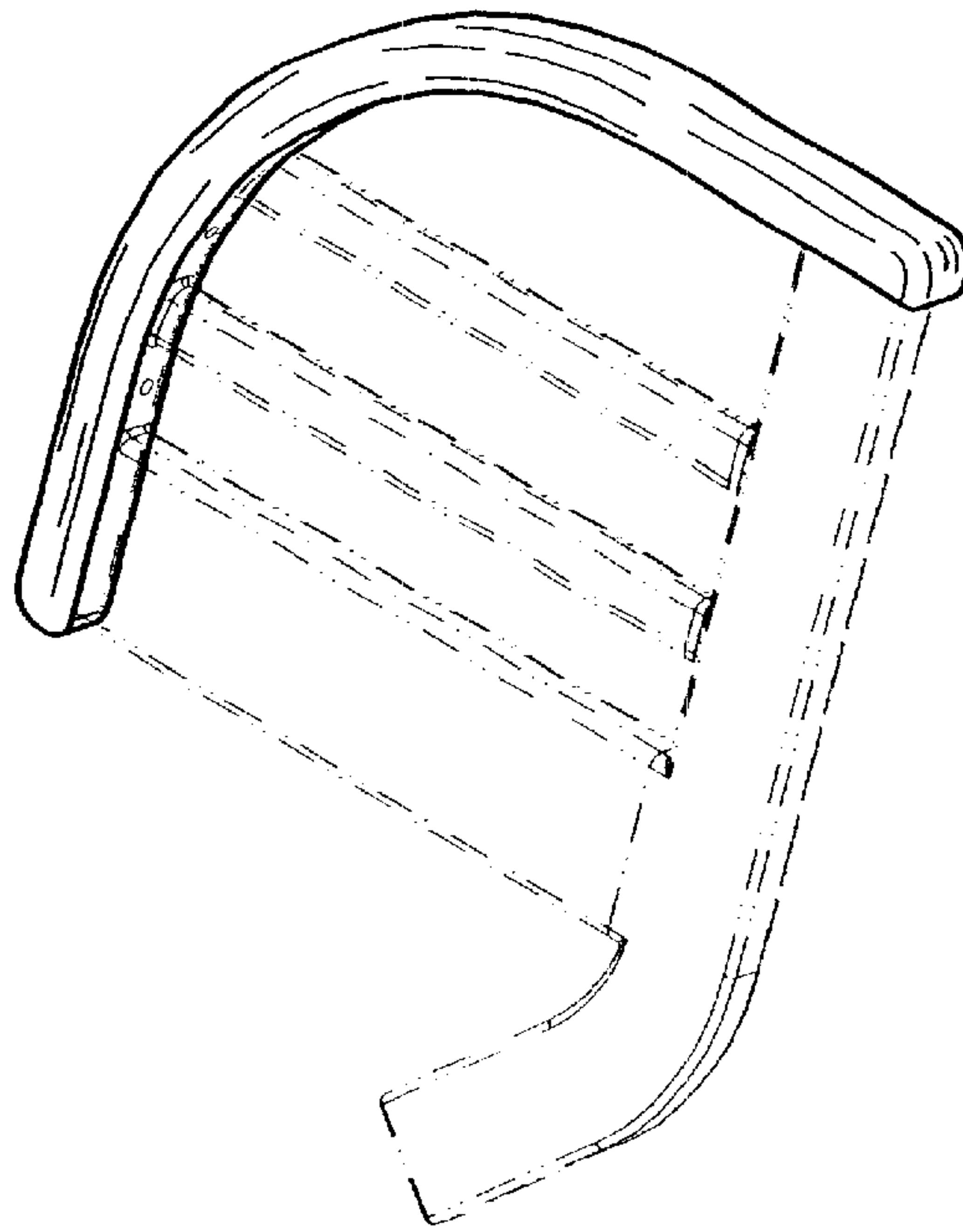


FIG. 1

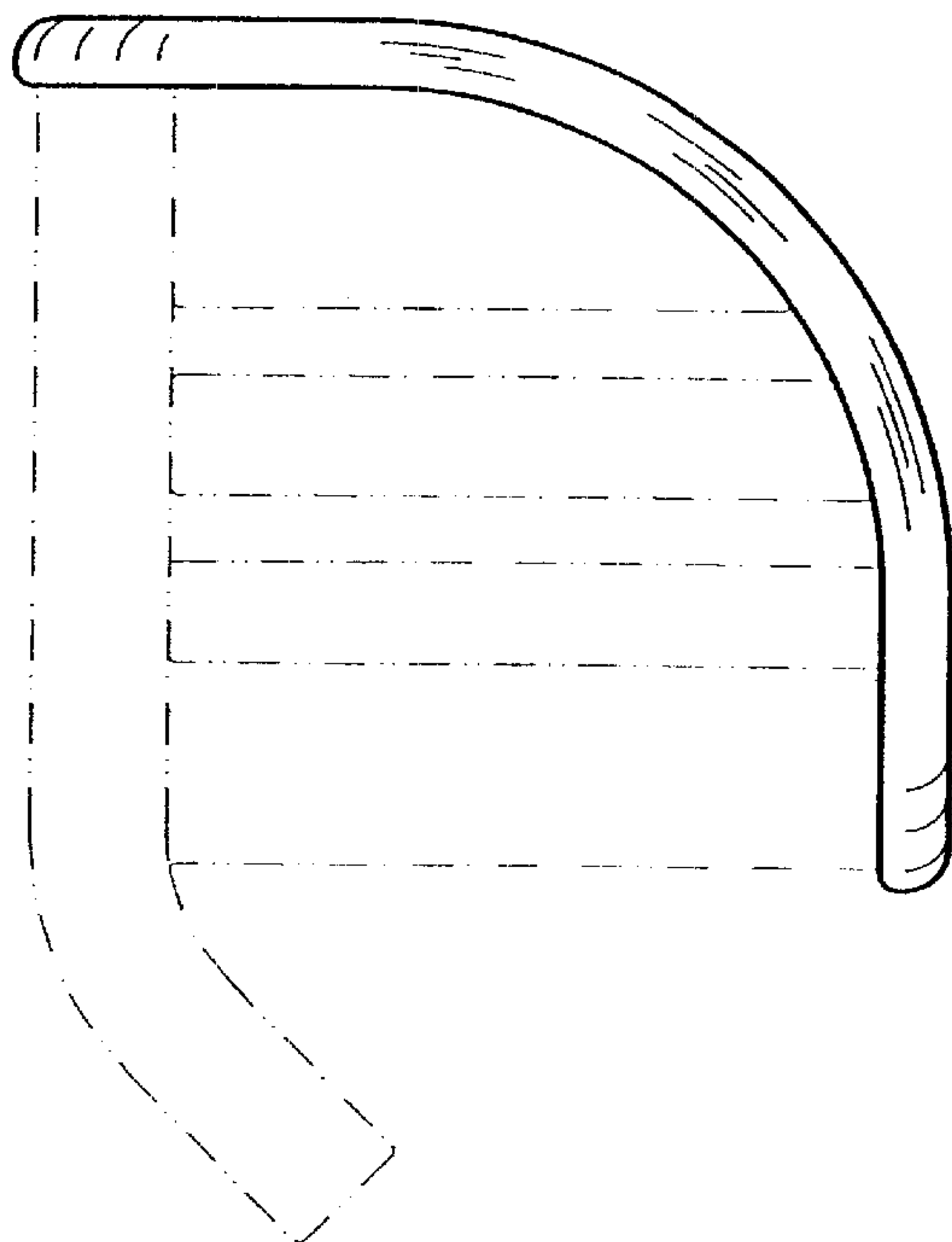


FIG. 2



FIG. 6



FIG. 4

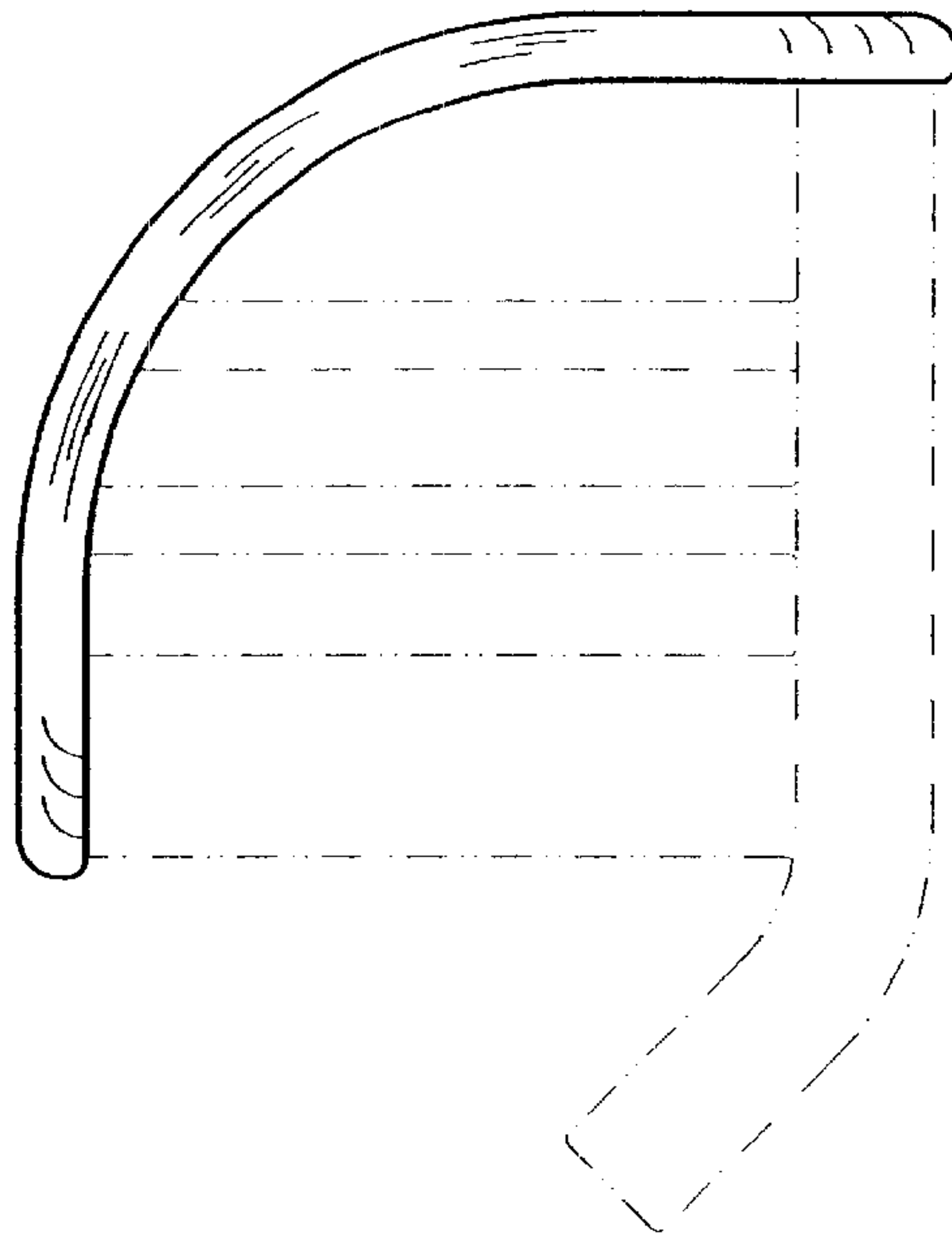


FIG. 3

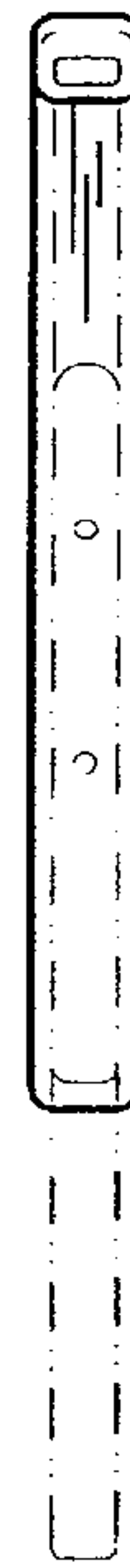


FIG. 5

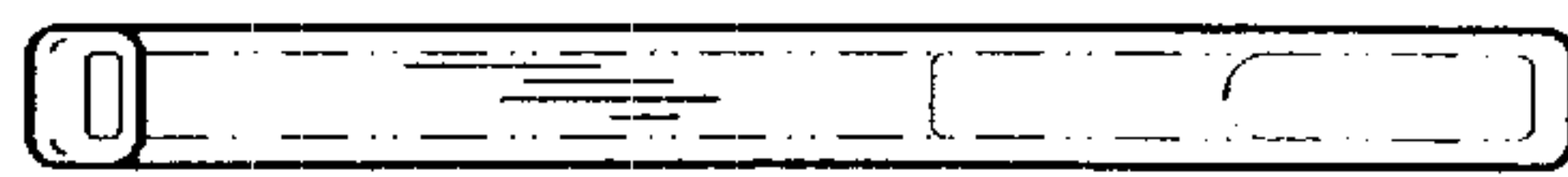


FIG. 7