



US00D463173S

(12) **United States Design Patent**  
**Chi**

(10) **Patent No.:** **US D463,173 S**

(45) **Date of Patent:** **\*\* Sep. 24, 2002**

(54) **CHAIR CUSHION**

D451,316 S \* 12/2001 Tseng ..... D6/500  
D451,716 S \* 12/2001 Tseng ..... D6/500

(76) Inventor: **Ching-Hui Chi**, No. 24-2, Hsi Wei Street, San Chung City, Taipei Hsien (TW)

\* cited by examiner

(\*\*) Term: **14 Years**

*Primary Examiner*—Gary D. Watson

(74) *Attorney, Agent, or Firm*—Rosenberg, Klein & Lee

(21) Appl. No.: **29/149,330**

(57) **CLAIM**

(22) Filed: **Oct. 10, 2001**

The ornamental design for a chair cushion, as shown and described.

(51) **LOC (7) Cl.** ..... **06-06**

**DESCRIPTION**

(52) **U.S. Cl.** ..... **D6/500; D6/366**

(58) **Field of Search** ..... D6/334, 356, 364, D6/365, 366, 367, 500, 501, 502; 296/63, 65.01; 297/216.1, 396, 411.2

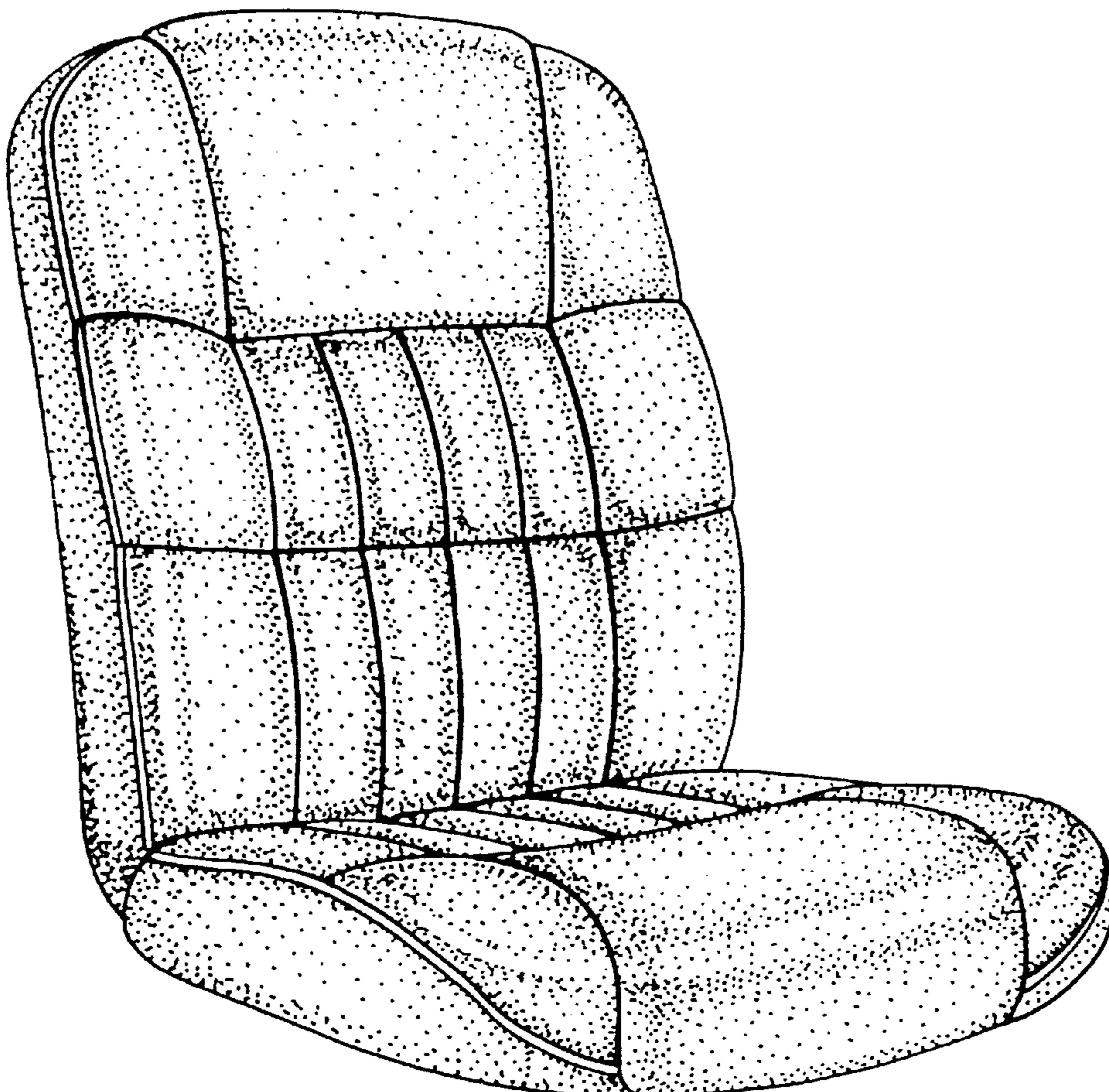
FIG. 1 is a perspective view of a chair cushion showing my new design;  
FIG. 2 is a front elevational view thereof;  
FIG. 3 is a rear elevational view thereof;  
FIG. 4 is a left side elevational view thereof;  
FIG. 5 is a right side elevational view thereof;  
FIG. 6 is a top plan view thereof; and,  
FIG. 7 is a bottom plan view thereof; and,  
FIG. 8 is another perspective view of the chair cushion of FIGS. 1 through 7 with arms, adjustment mechanisms and a base being shown in broken lines for illustrative purposes only and forming no part of the claimed design.

(56) **References Cited**

**U.S. PATENT DOCUMENTS**

D207,259 S	*	3/1967	Barecki	.....	D6/356
D400,020 S	*	10/1998	Tseng	.....	D6/366
D403,169 S	*	12/1998	Tseng	.....	D6/366
D403,170 S	*	12/1998	Tseng	.....	D6/366
D414,965 S	*	10/1999	Zaidman	.....	D6/500
D431,921 S	*	10/2000	Hammer	.....	D6/366
D441,993 S	*	5/2001	Lin	.....	D6/500

**1 Claim, 5 Drawing Sheets**



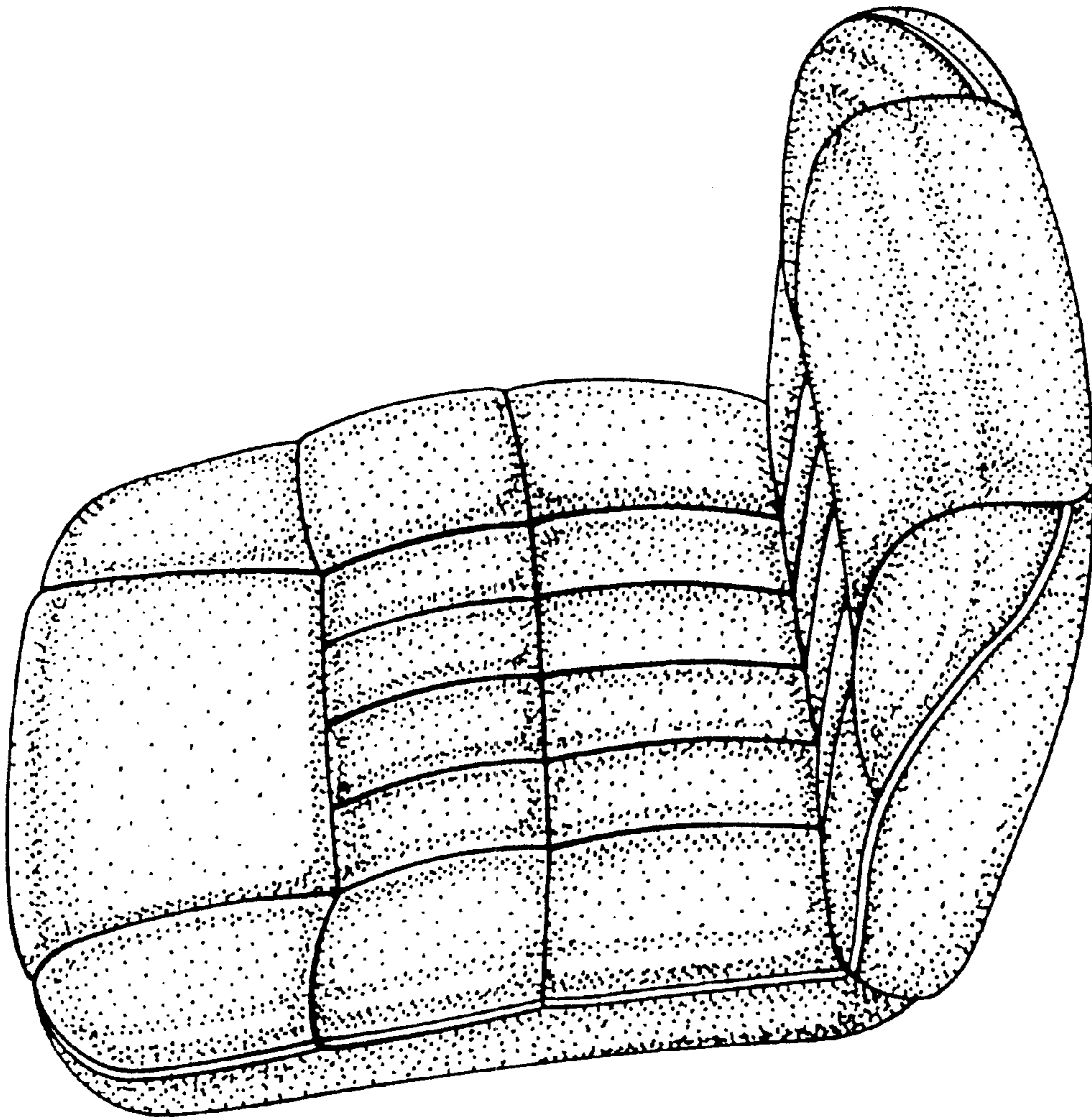


FIG. 1

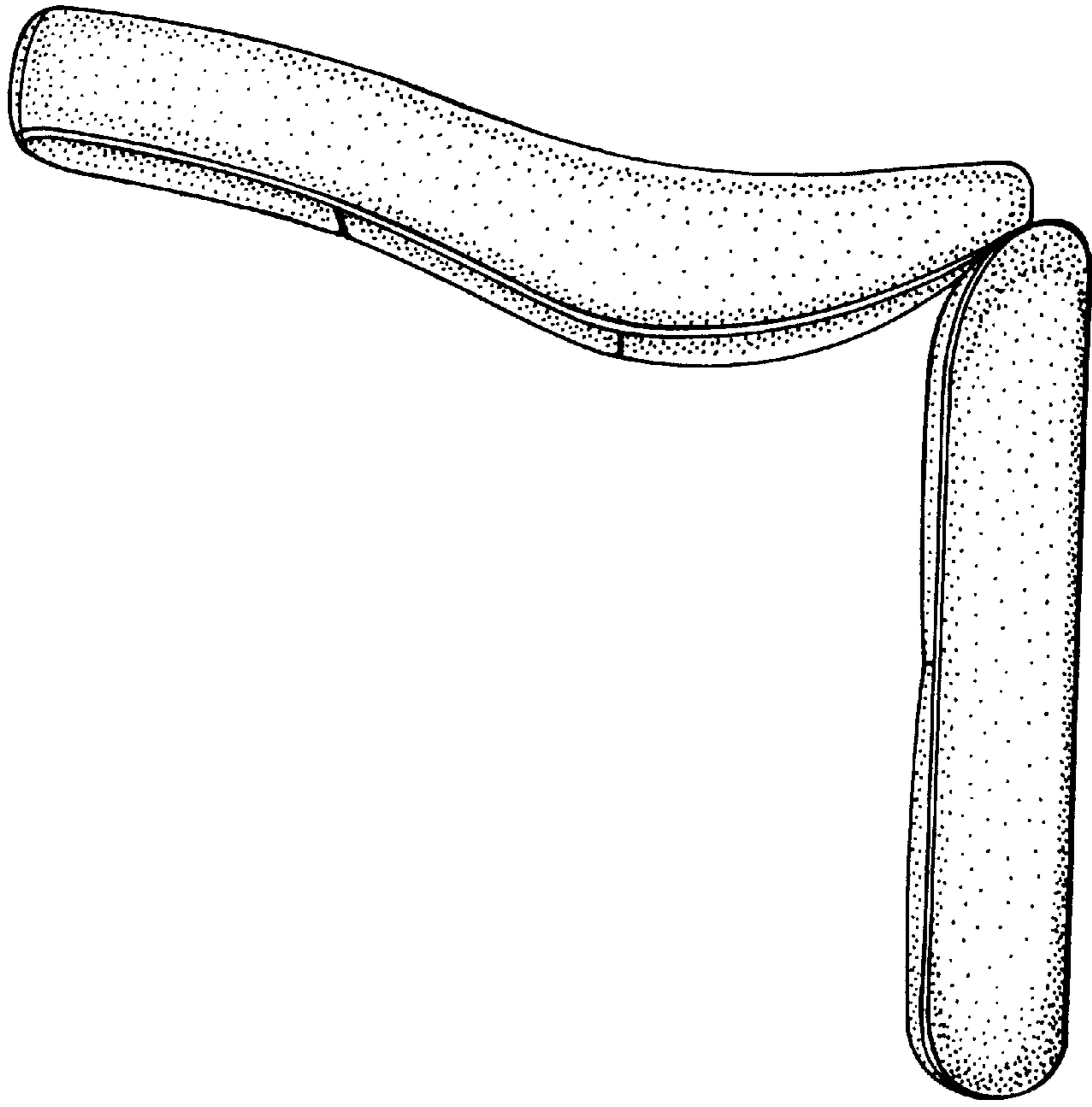


FIG. 5

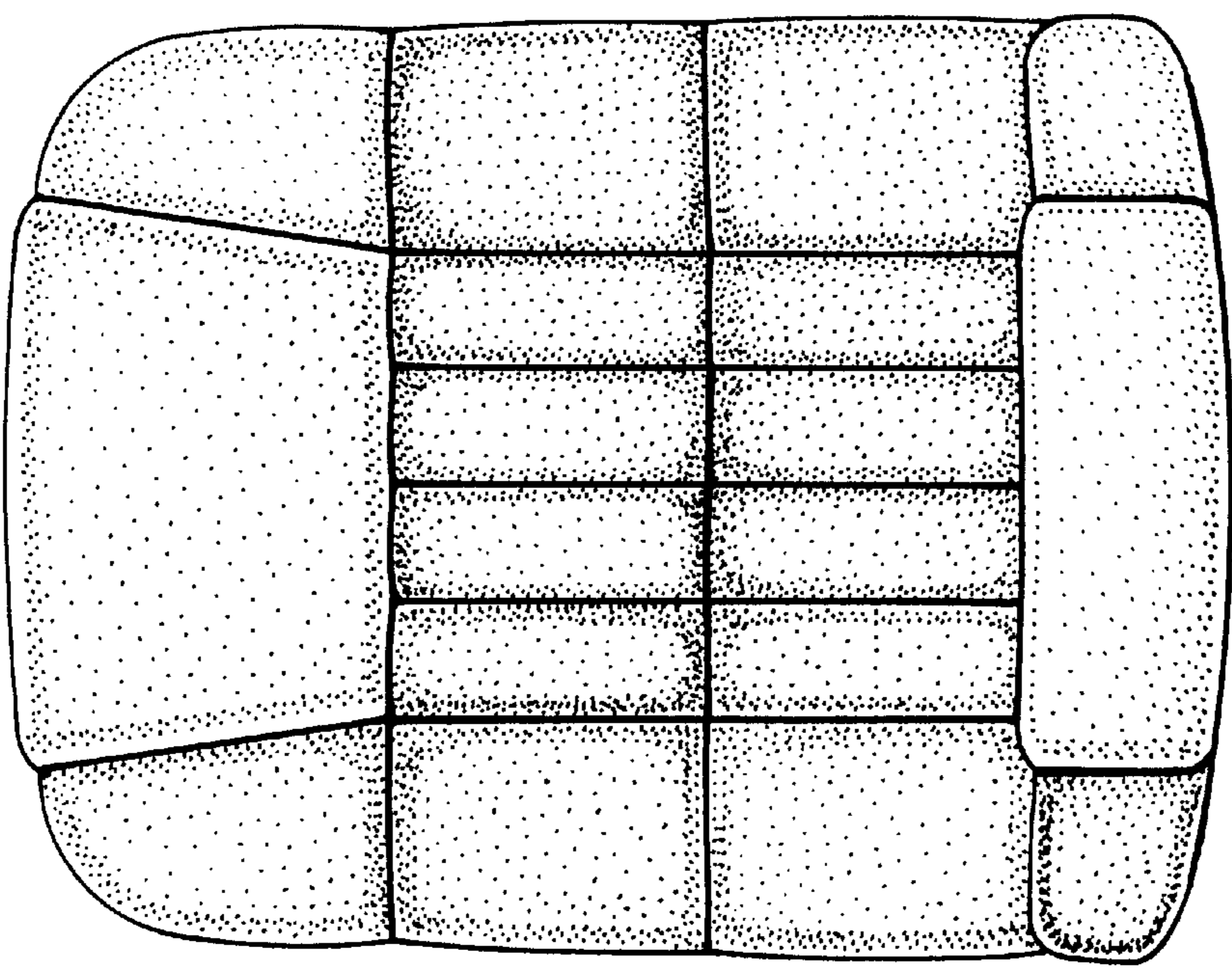


FIG. 2

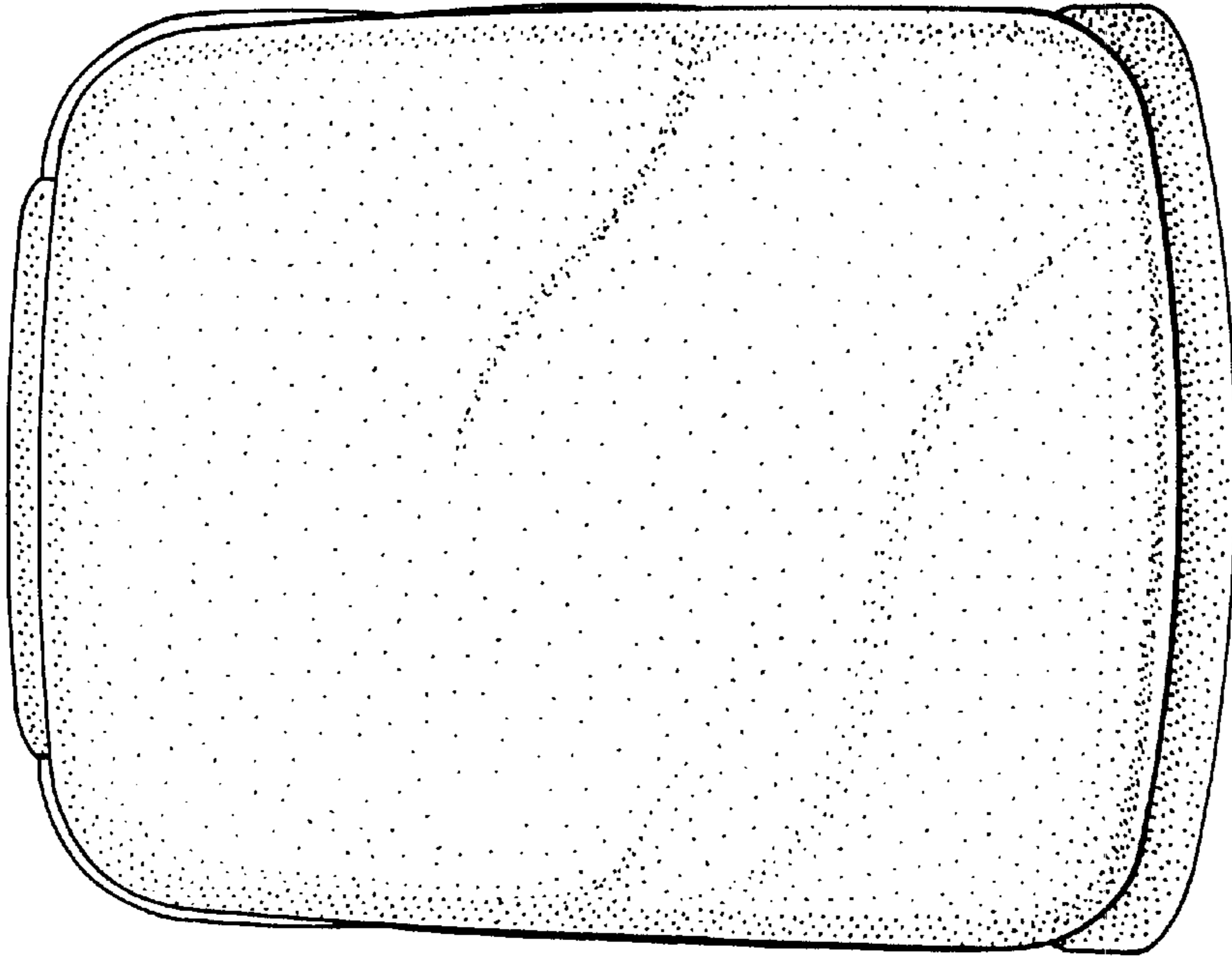


FIG. 3

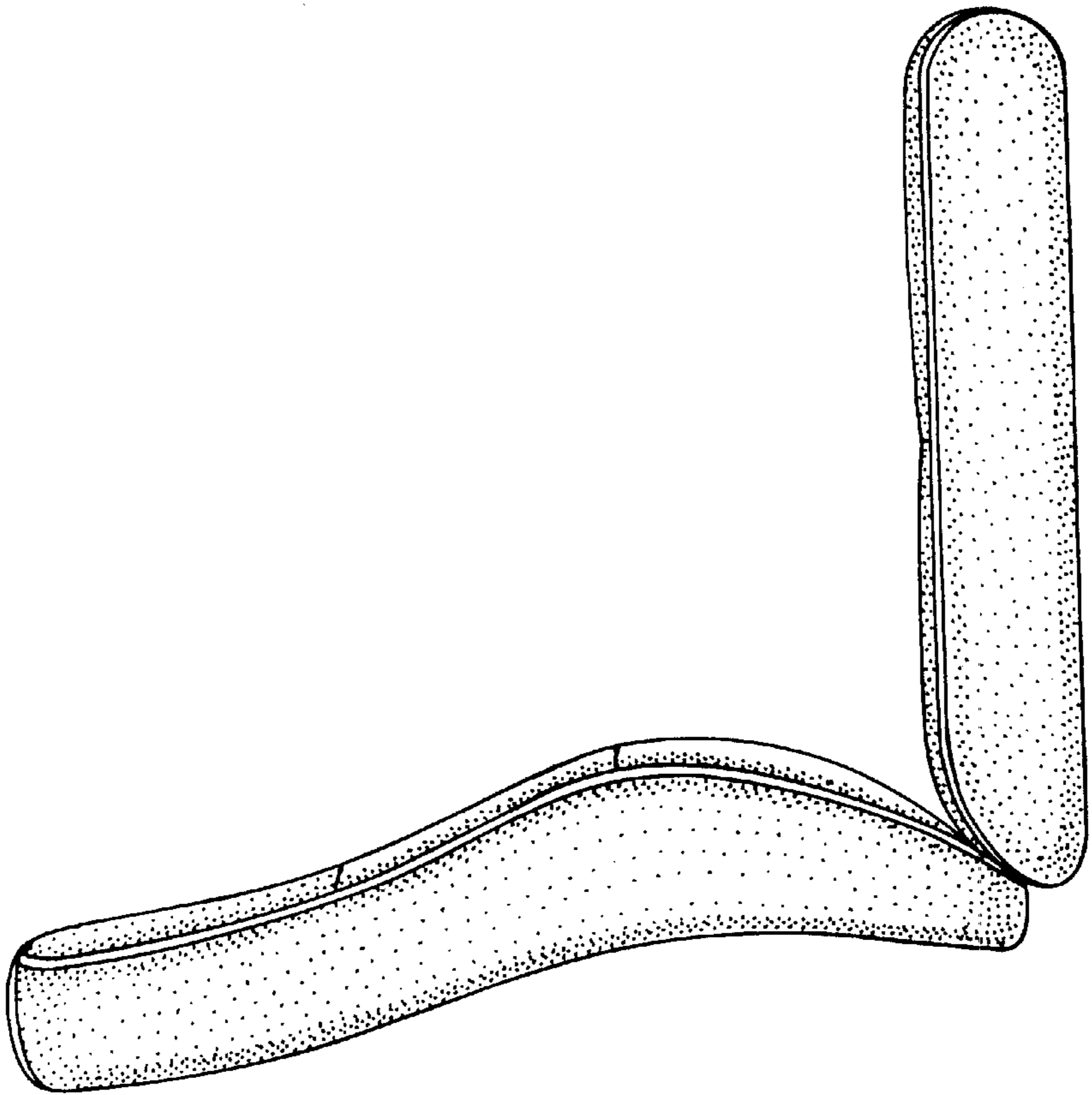


FIG. 4

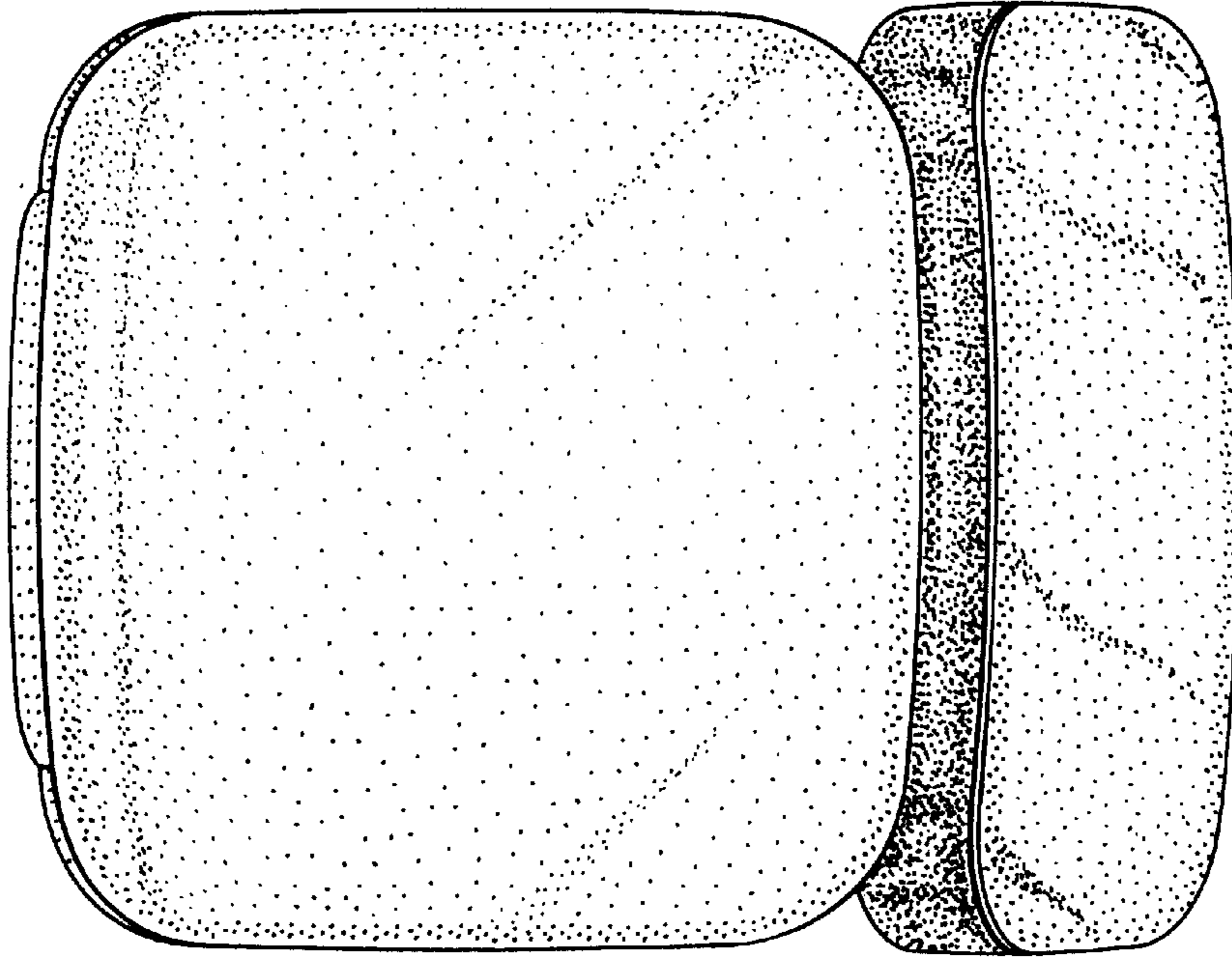


FIG. 7

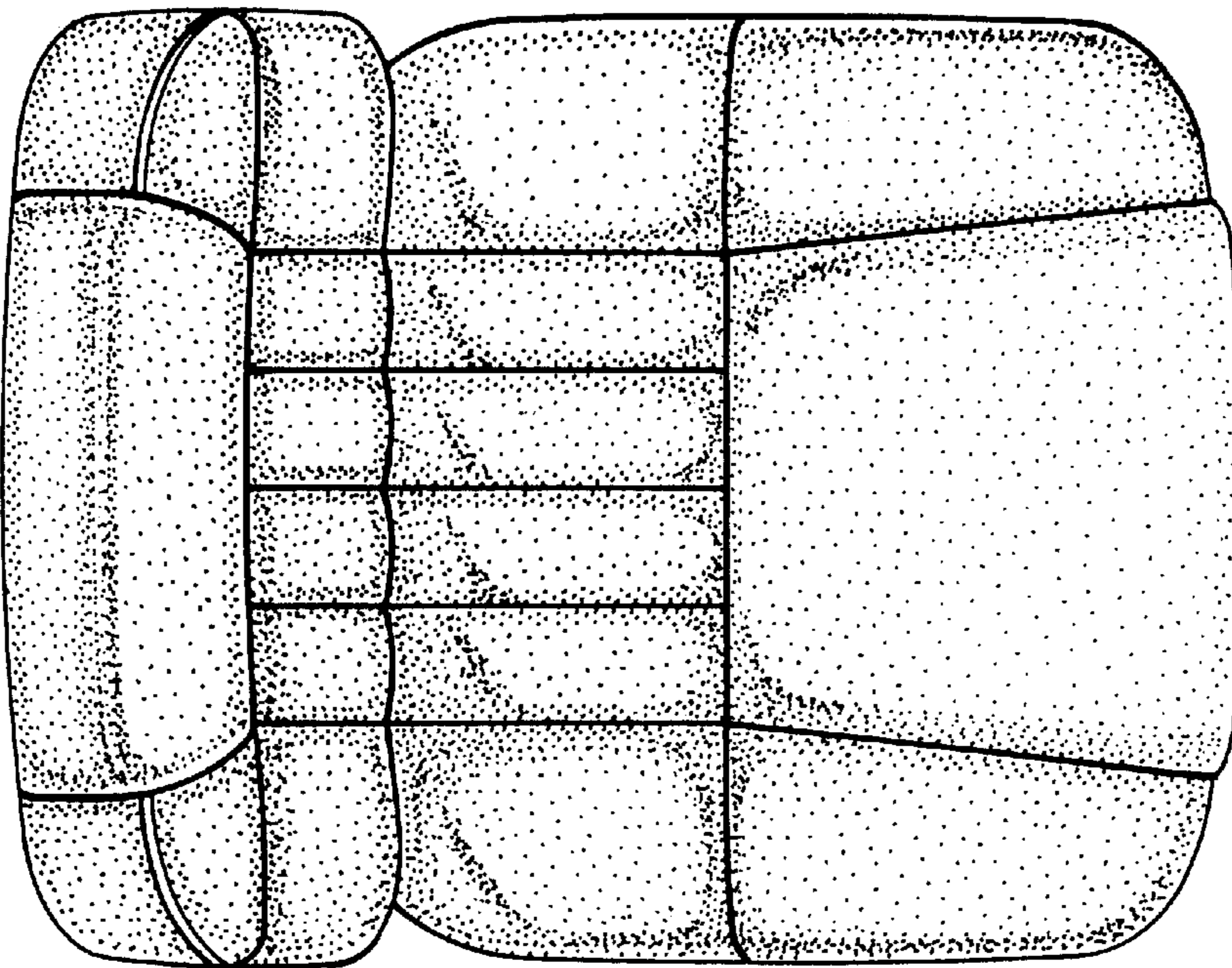


FIG. 6

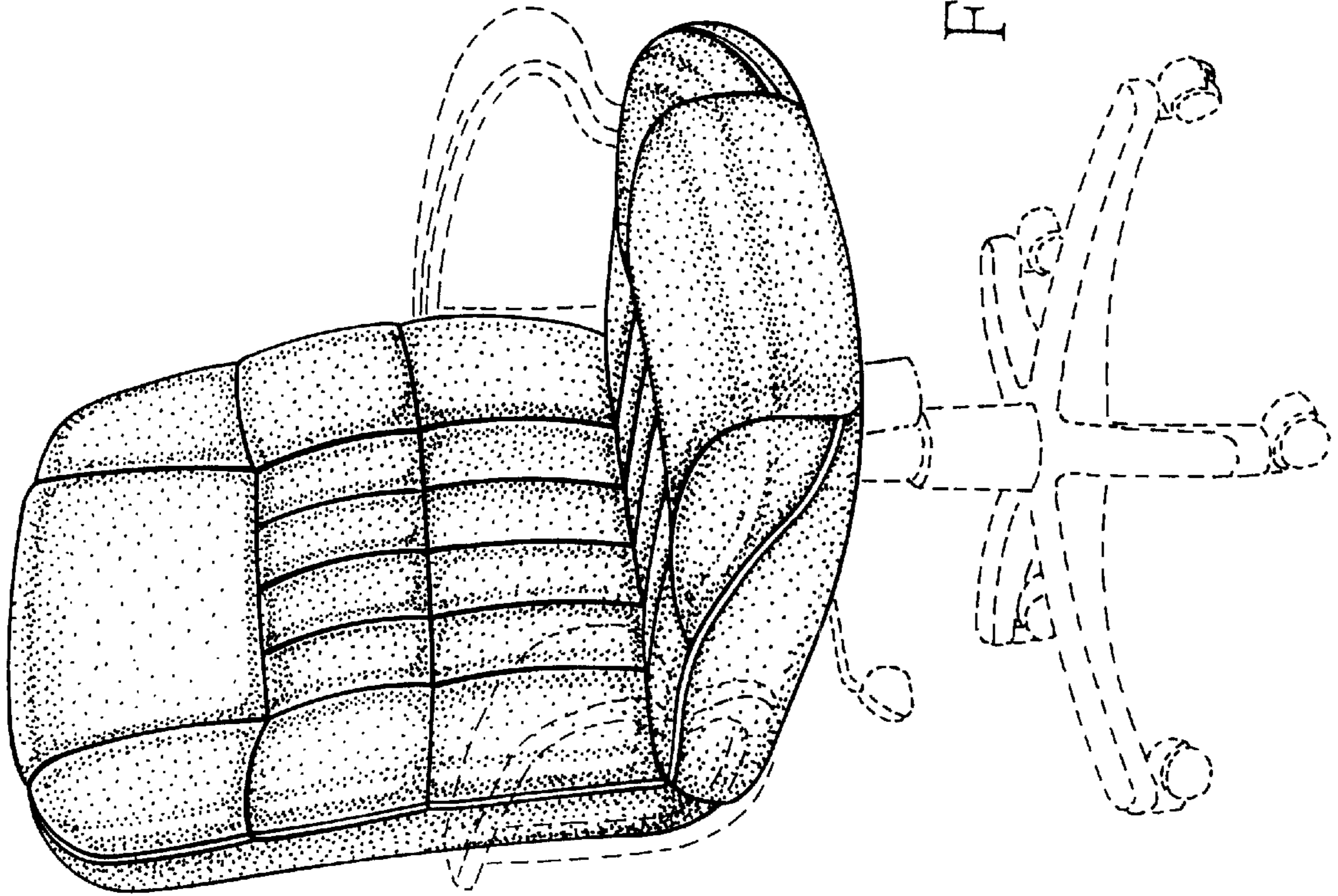


FIG. 8