



US00D463171S

(12) **United States Design Patent**
Pathiratne

(10) **Patent No.:** **US D463,171 S**

(45) **Date of Patent:** **** Sep. 24, 2002**

(54) **END FRAME FOR A FUTON**

(76) **Inventor:** **S. Sean Pathiratne**, 506 Landfair Cir.,
San Jose, CA (US) 95136

(**) **Term:** **14 Years**

(21) **Appl. No.:** **29/150,593**

(22) **Filed:** **Nov. 6, 2001**

(51) **LOC (7) Cl.** **06-06**

(52) **U.S. Cl.** **D6/492; D6/336; D6/381**

(58) **Field of Search** **D6/334, 335, 336,**
D6/341, 370, 371, 373, 379, 381, 492,
500, 501, 502; 5/12.1; 297/145, 232, 411.45

(56) **References Cited**

U.S. PATENT DOCUMENTS

D35,082 S	*	9/1901	Stickley	D6/379
D84,147 S	*	5/1931	Klemm	D6/341
D151,295 S		10/1948	Stanley		
D219,734 S	*	1/1971	Winrow	D6/334
D222,831 S		1/1972	Lax		
D224,861 S		10/1972	Fisher		
D227,954 S	*	7/1973	Gill	D6/334
D273,254 S		4/1984	Fairalzen		
D296,731 S	*	7/1988	Hollington	D6/334
D350,857 S	*	9/1994	Warren	D6/381
D350,858 S		9/1994	Warren		
D353,721 S	*	12/1994	Lowman	D6/379
D360,538 S		7/1995	Skalka		
D367,566 S	*	3/1996	Walters, III et al.	D6/381
D368,173 S		3/1996	Kramer		
D379,278 S		5/1997	Zeinfeld et al.		
D423,830 S		5/2000	Schlichter et al.		
D424,315 S		5/2000	Jeng		
D425,339 S		5/2000	Schlichter et al.		

OTHER PUBLICATIONS

U.S. patent application Ser. No. 29/150,594, Pathiratne, filed Nov. 6, 2001.*

U.S. patent application Ser. No. 29/150,597, Pathiratne, filed Nov. 6, 2001.*

U.S. patent application Ser. No. 29/150,596, Pathiratne, filed Nov. 6, 2001.*

U.S. patent application Ser. No. 29/150,591, Pathiratne, filed Nov. 6, 2001.*

* cited by examiner

Primary Examiner—Gary D. Watson

(74) *Attorney, Agent, or Firm*—Kenneth C. Brooks

(57) **CLAIM**

The ornamental design for an end frame for a futon, as shown and described.

DESCRIPTION

FIG. 1 is a perspective view of an end frame for a futon illustrating the features of the invention relating to the end portion in solid lines, and in broken lines to show the environment in which the invention is claimed, with the broken lines not forming a part of the claimed design;

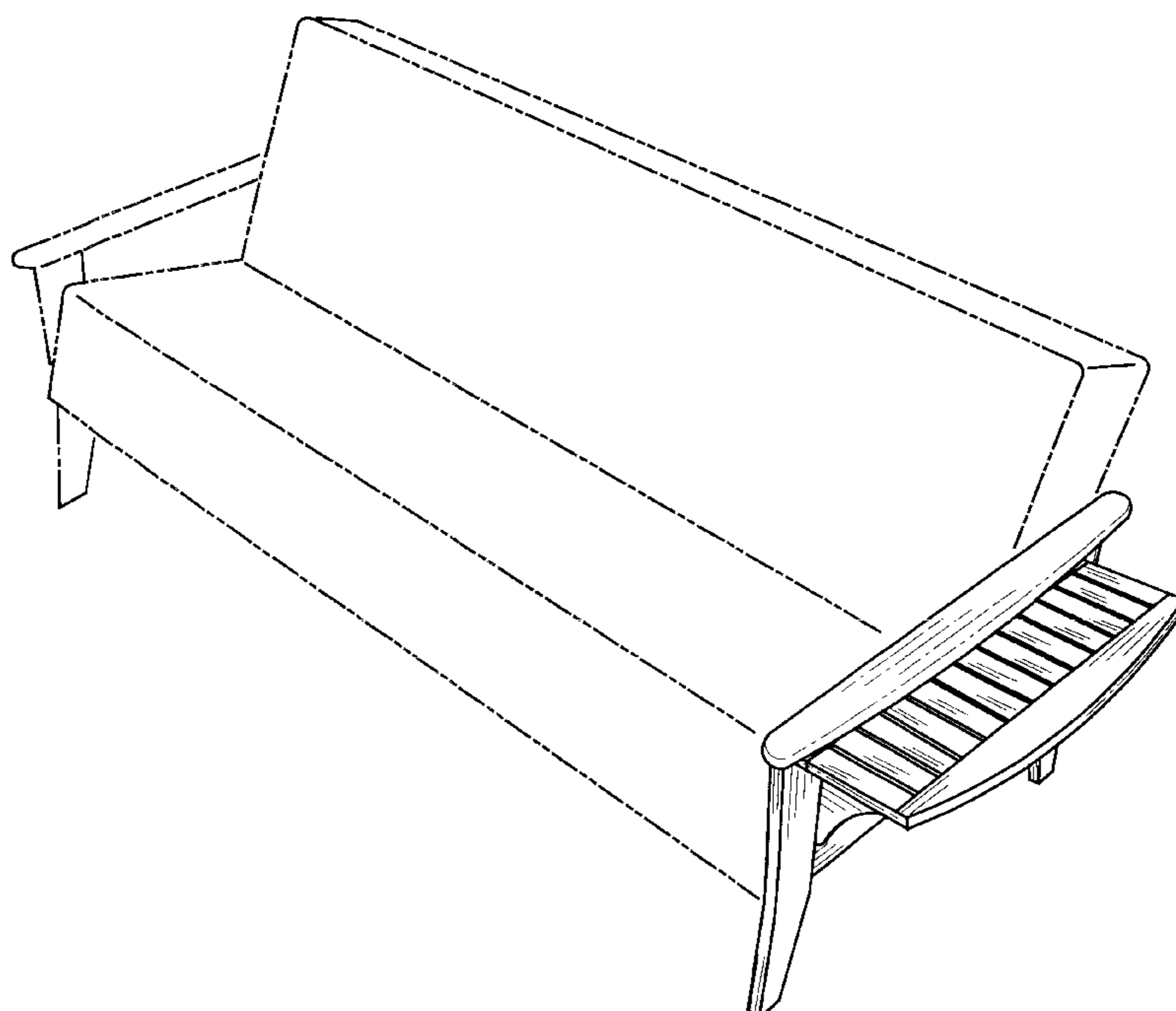
FIG. 2 is a frontal view of the end frame shown in FIG. 1, with the understanding that the back view is a mirror image of the frontal view;

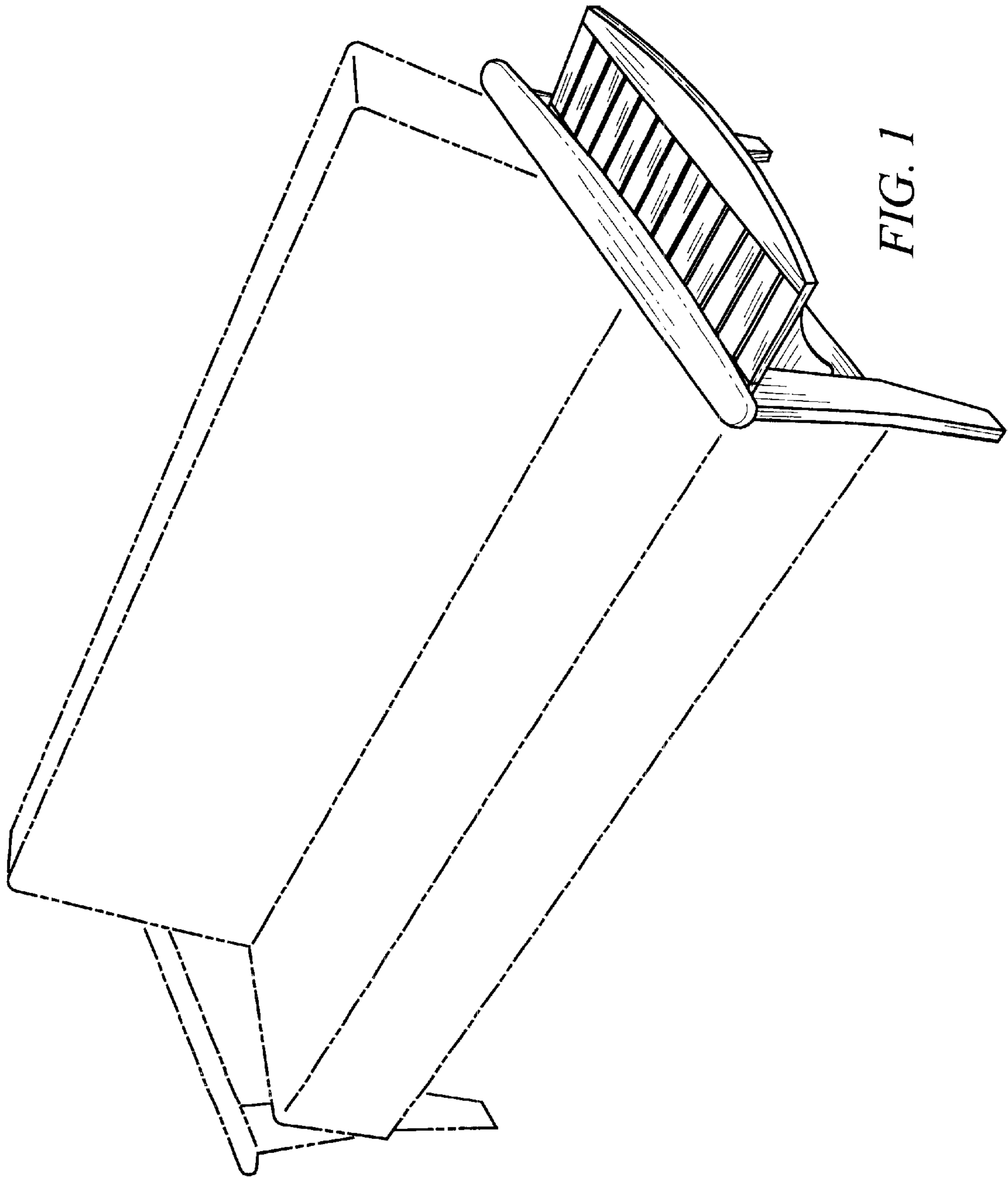
FIG. 3 is a top down view of the end frame shown in FIG. 2;

FIG. 4 is an end view of the end frame shown in FIG. 2; and, FIG. 5 is an end view of the end frame shown in FIG. 2, taken from the opposing end of the end view shown in FIG. 4.

It is submitted that the bottom view of the end frame does not form any part of the claimed design.

1 Claim, 2 Drawing Sheets





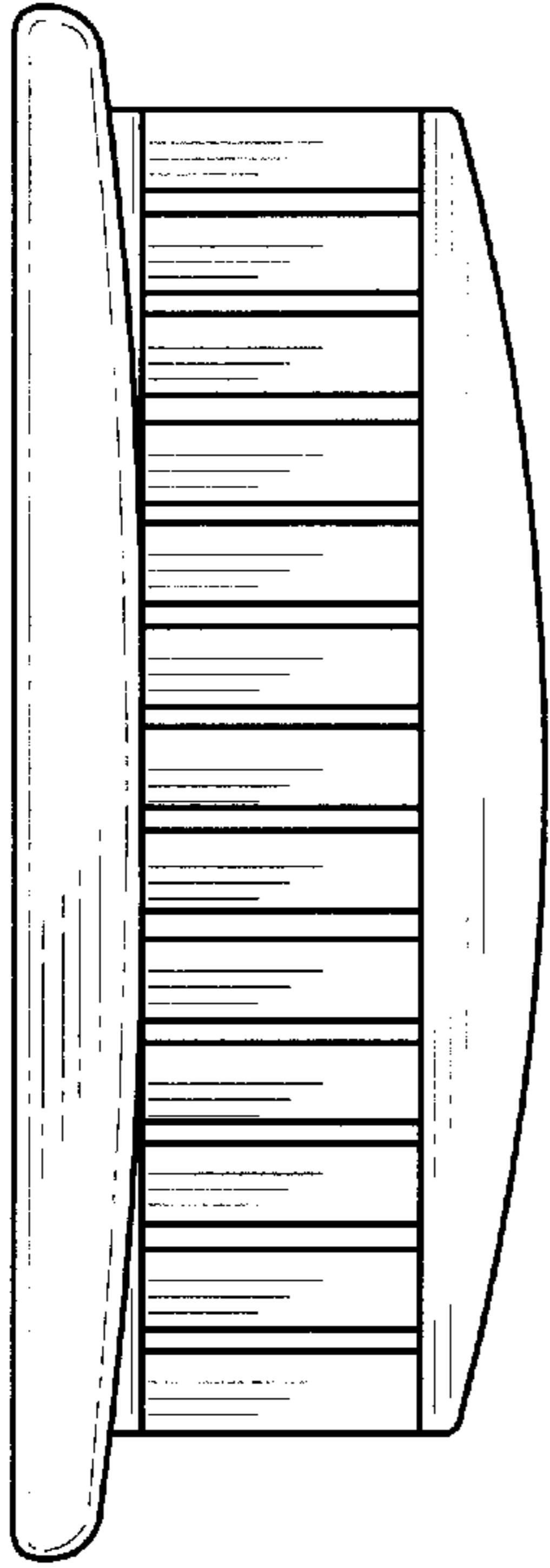


FIG. 3

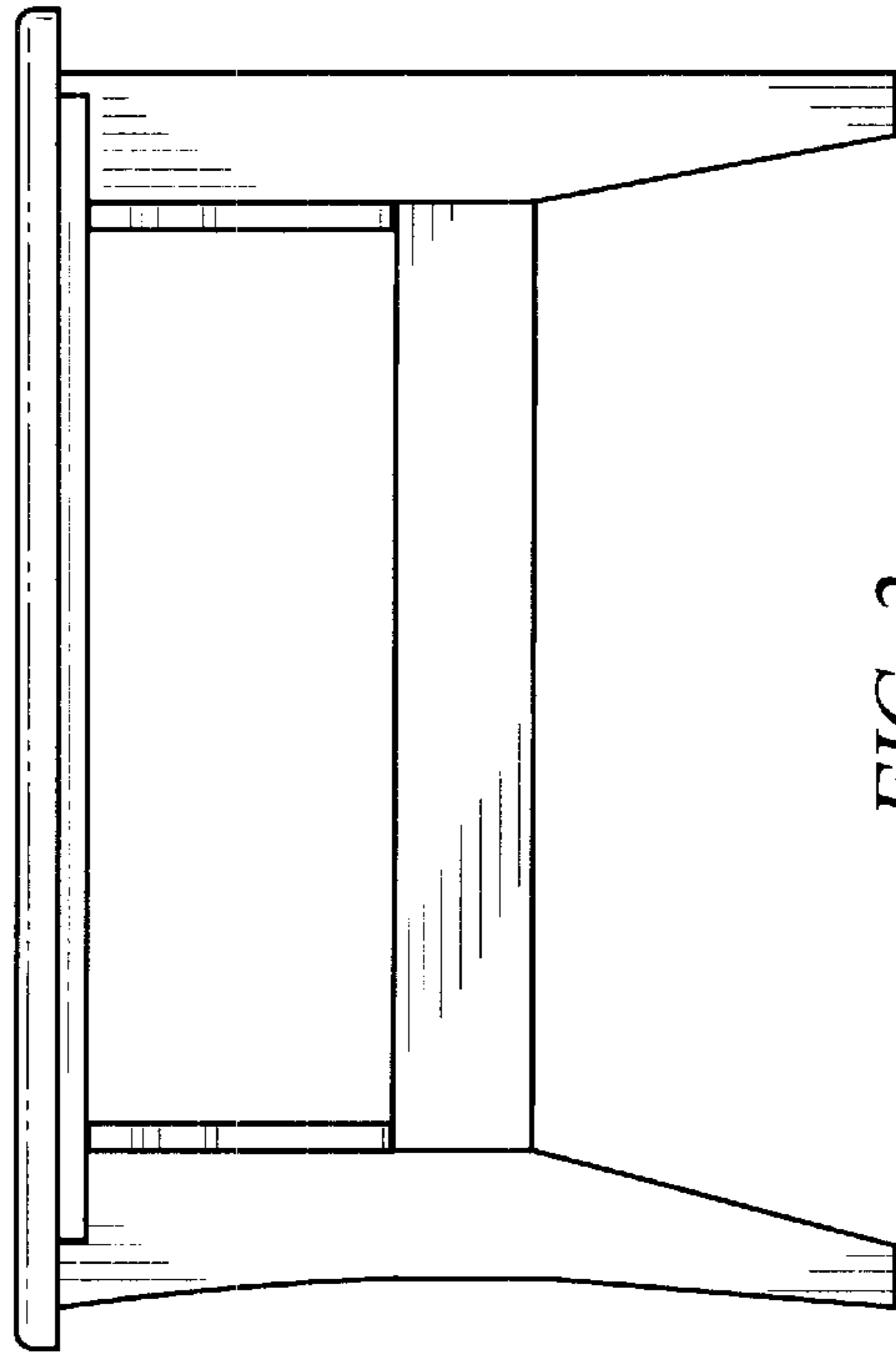


FIG. 2

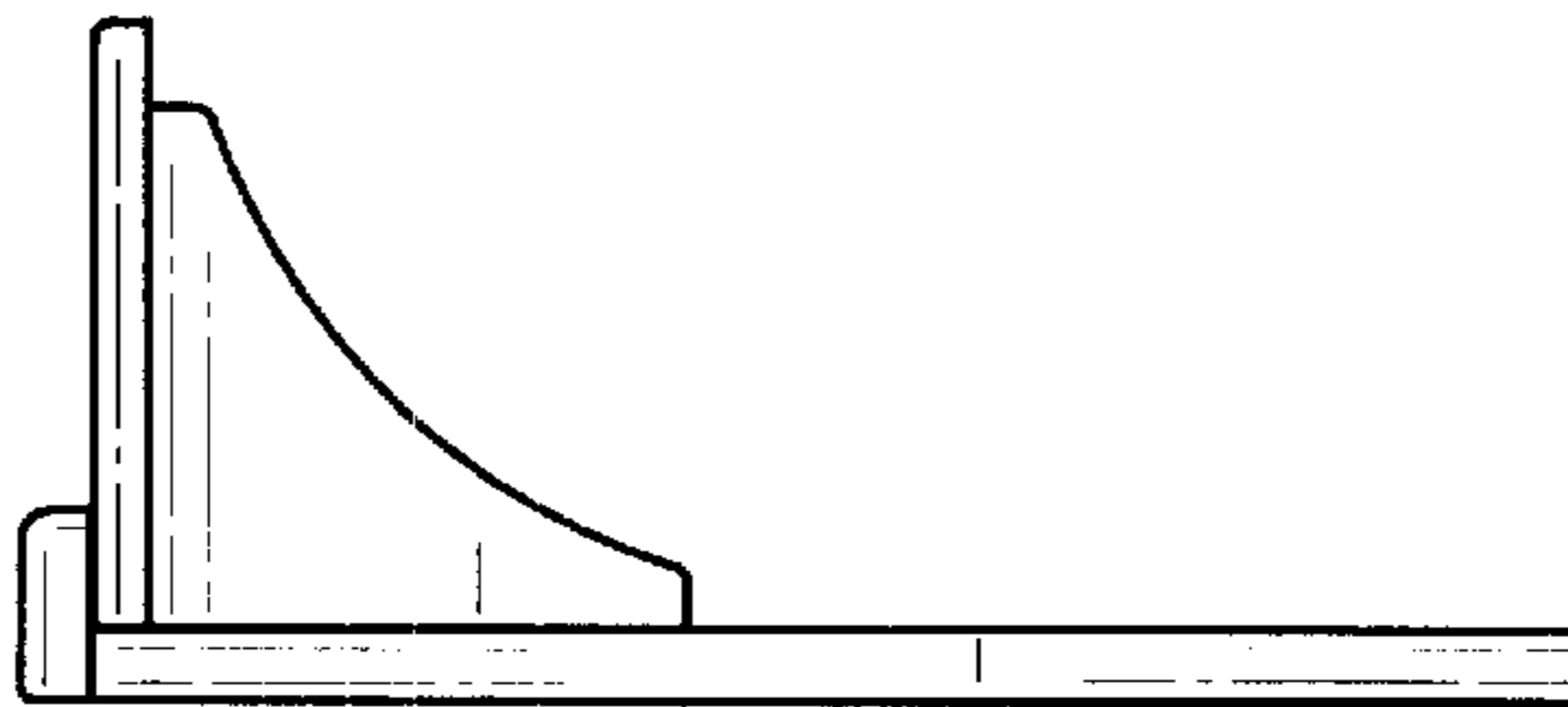


FIG. 4

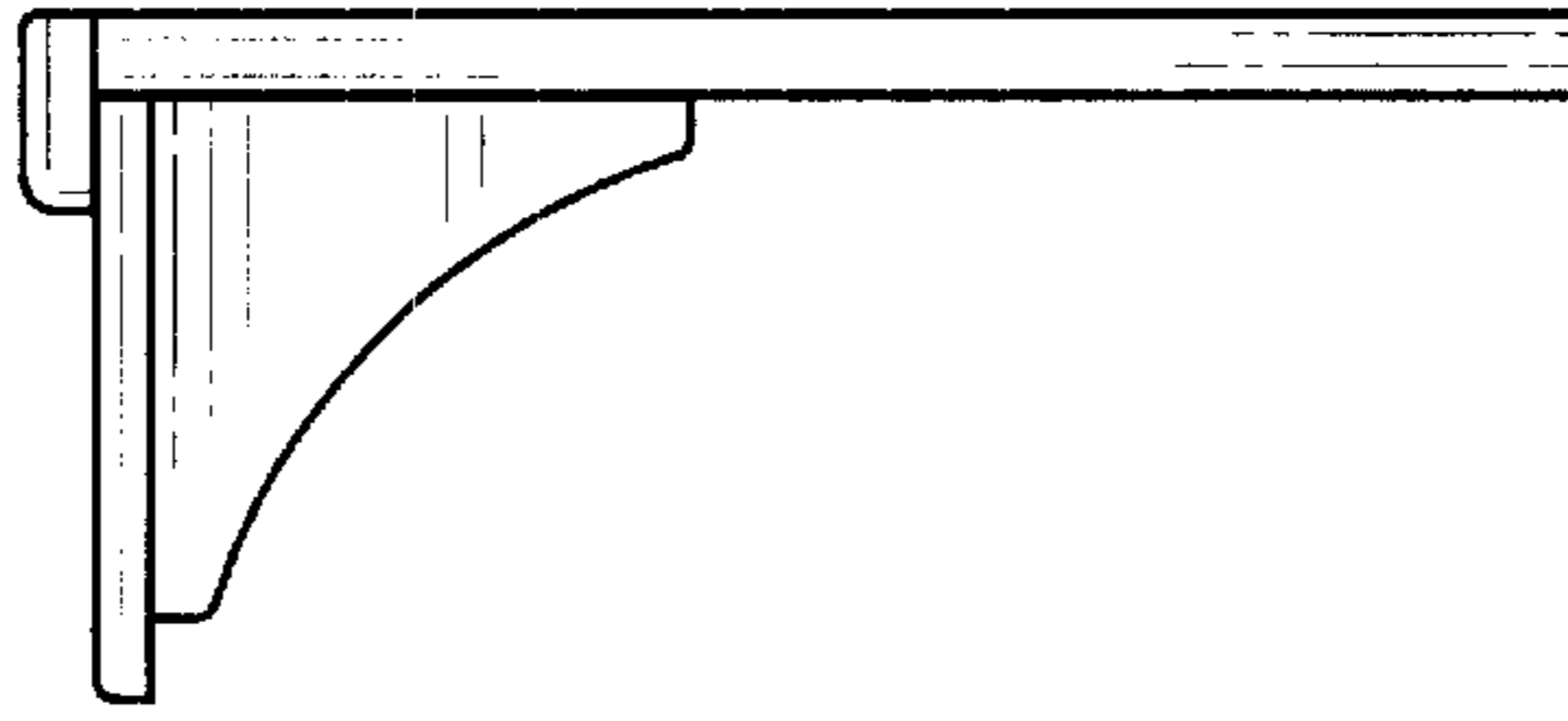


FIG. 5