



US00D463170S

(12) **United States Design Patent**
Schultz

(10) **Patent No.:** **US D463,170 S**

(45) **Date of Patent:** **** Sep. 24, 2002**

(54) **WORKSURFACE EDGE PIECE**

6,214,436 B1 * 4/2001 Catta et al. 248/345.1 X

(75) Inventor: **Craig H. Schultz**, Muscatine, IA (US)

* cited by examiner

(73) Assignee: **HON Technology Inc.**, Muscatine, IA (US)

Primary Examiner—Janice E. Seeger

(74) *Attorney, Agent, or Firm*—Jones, Day, Reavis & Pogue

(**) Term: **14 Years**

(57) **CLAIM**

(21) Appl. No.: **29/142,918**

The ornamental design for a worksurface edge piece, as shown and described.

(22) Filed: **Jun. 5, 2001**

DESCRIPTION

(51) **LOC (7) Cl.** **06-06**

(52) **U.S. Cl.** **D6/491; D8/403**

(58) **Field of Search** D6/480-489, 511, D6/491; 248/345.1; D8/402, 403; 312/137; 108/153.1, 155, 156, 157.1, 161, 27; D25/119

FIG. 1 is a front perspective view of a worksurface edge piece showing my new design; FIG. 2 is a top view thereof; FIG. 3 is a front view thereof; FIG. 4 is a bottom view thereof; FIG. 5 is a rear view thereof; and, FIG. 6 is an end view, the opposite end view being a mirror image thereof.

(56) **References Cited**

U.S. PATENT DOCUMENTS

- 3,869,106 A * 3/1975 Gregov 248/345.1
- D411,739 S * 6/1999 Havens D8/403
- 6,019,336 A * 2/2000 Havens 248/345.1
- 6,116,162 A * 9/2000 Santa Cruz et al. 108/27

The broken line showing is for environmental purposes only and does not form a part of the design.

1 Claim, 1 Drawing Sheet

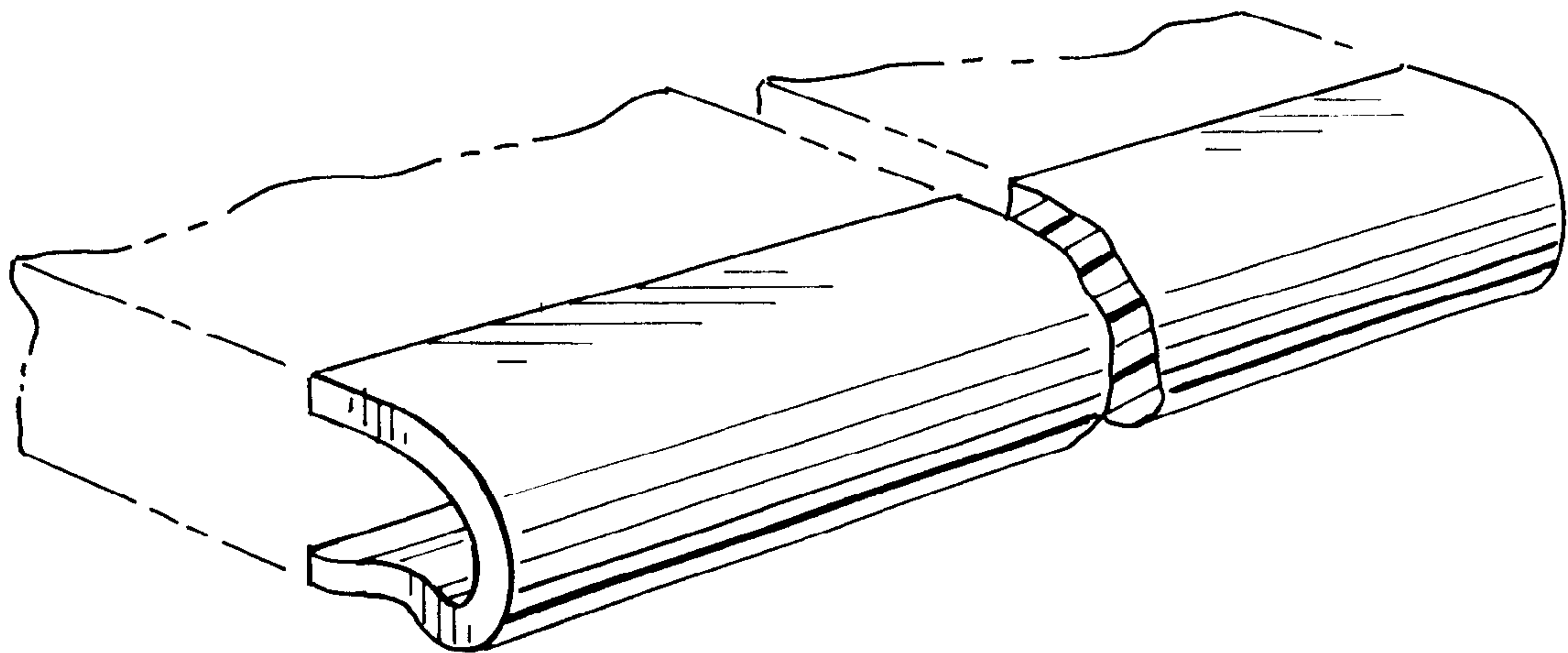


FIG. 1

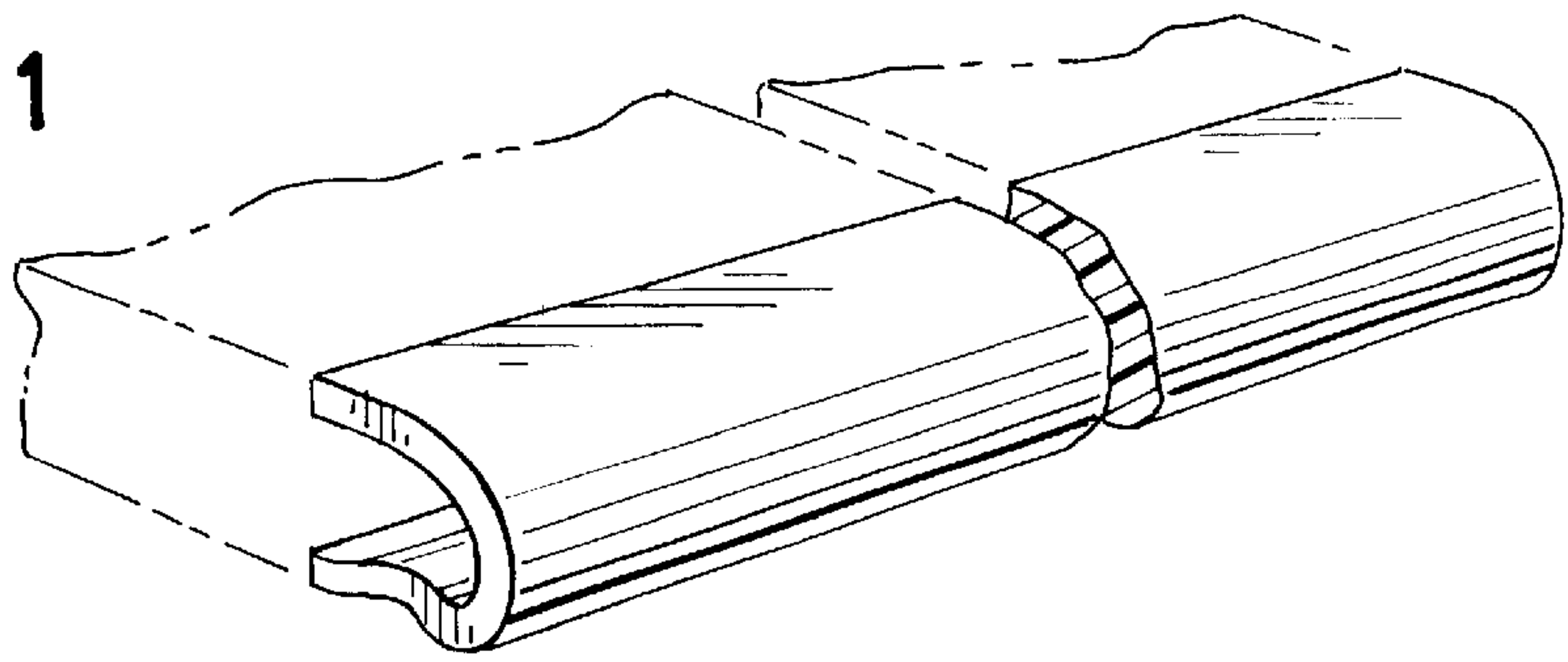


FIG. 2

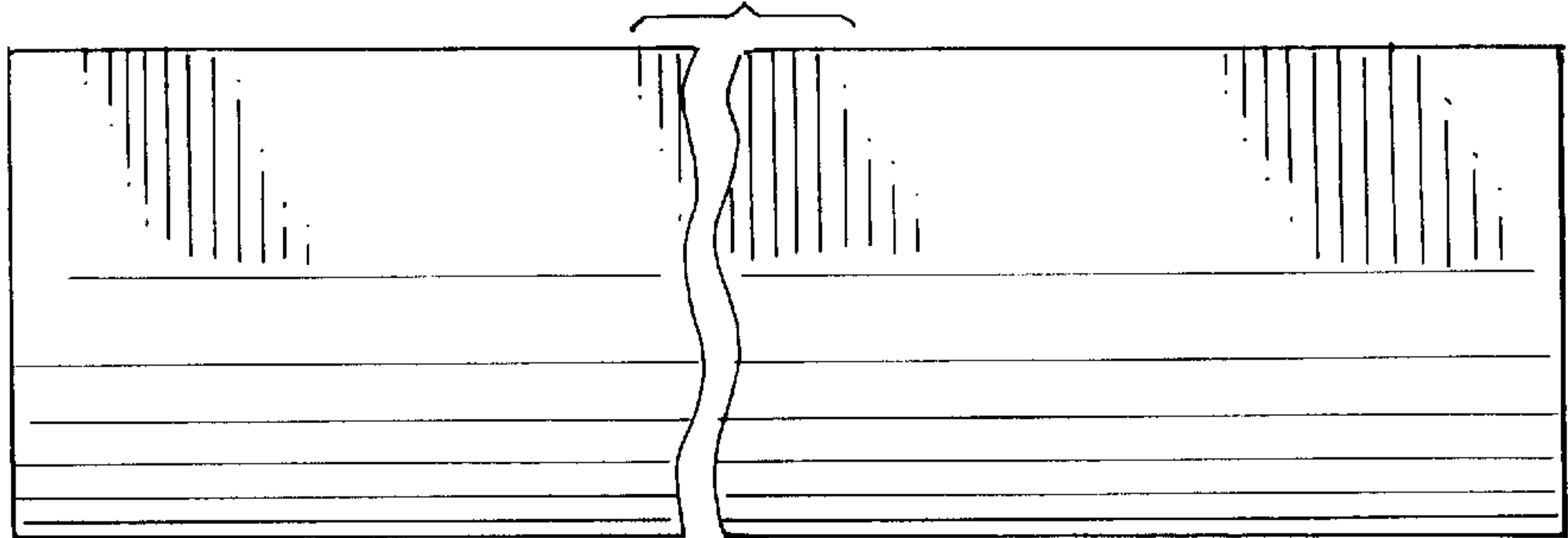


FIG. 3

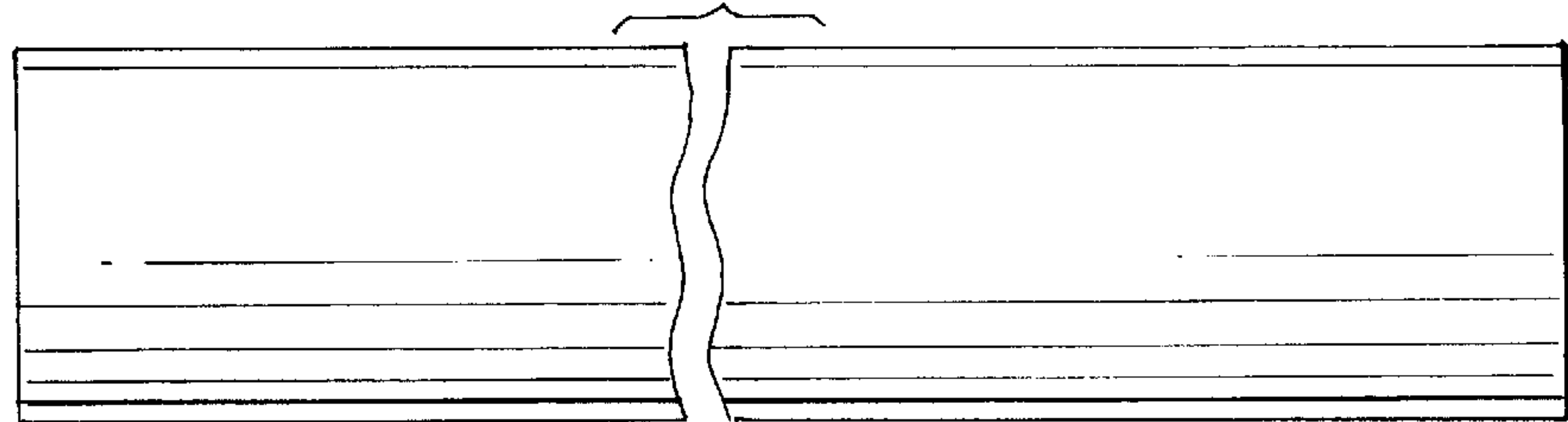


FIG. 4

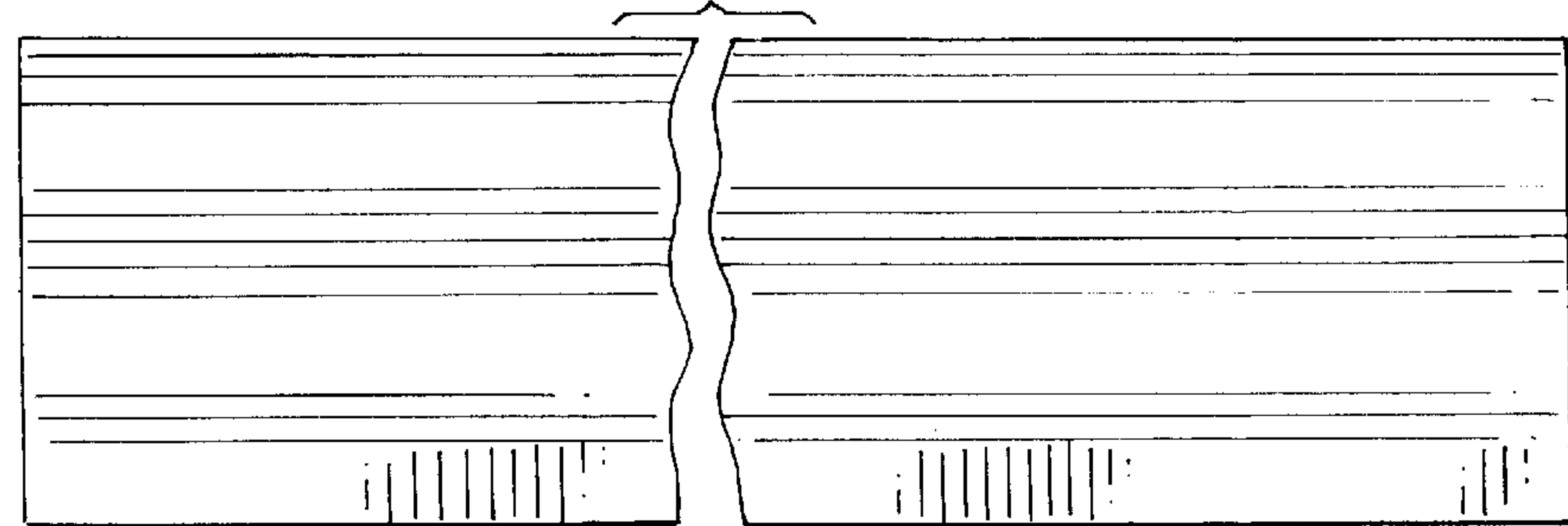


FIG. 5

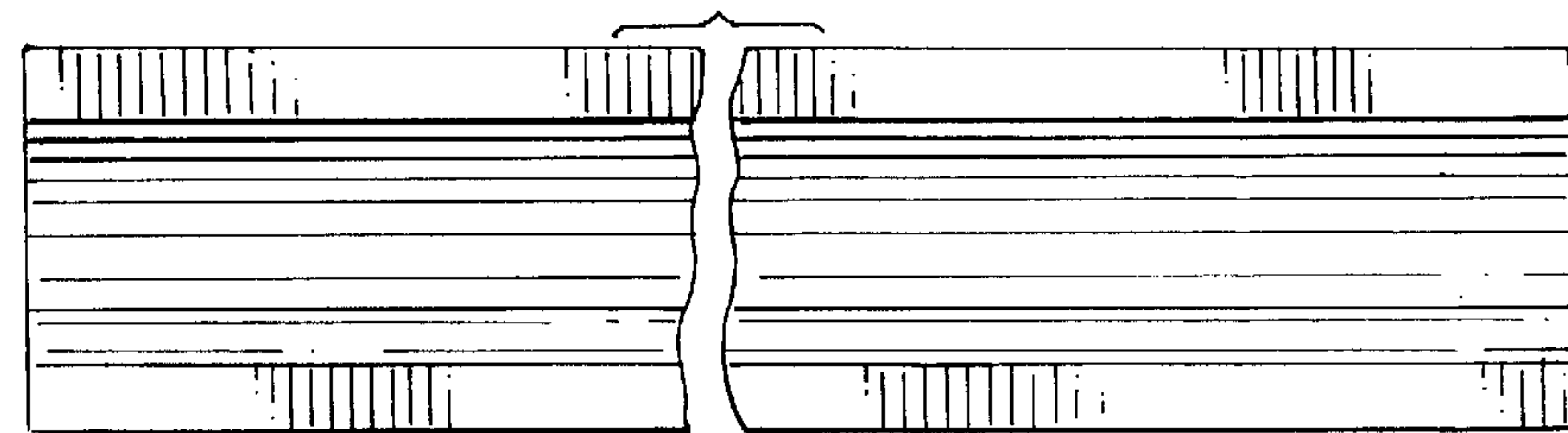


FIG. 6

