

US00D463169S

(12) **United States Design Patent**
Russell et al.

(10) **Patent No.:** **US D463,169 S**

(45) **Date of Patent:** **** Sep. 24, 2002**

(54) **TABLE**

(75) Inventors: **Robert L. Russell**, Kentwood, MI (US); **Randal T. Lewis**, Rockford, MI (US); **Steven M. Eldersveld**, Grand Rapids, MI (US)

(73) Assignee: **R.T. London Company**, Grand Rapids, MI (US)

(**) Term: **14 Years**

(21) Appl. No.: **29/153,678**

(22) Filed: **Jan. 10, 2002**

Related U.S. Application Data

(62) Division of application No. 29/138,488, filed on Mar. 14, 2001.

(51) **LOC (7) Cl.** **06-03**

(52) **U.S. Cl.** **D6/486**

(58) **Field of Search** D6/480-489, 495-499; 108/150, 153.1, 155, 156, 157.1, 161; 248/188, 188.1

(56) **References Cited**

U.S. PATENT DOCUMENTS

1,903,631 A	*	4/1933	Morrison	D6/486
2,570,634 A	*	10/1951	Bartschy	D6/486
D393,764 S	*	4/1998	Hundertmark	D6/498
D437,511 S	*	2/2001	Boyce	D6/480
D438,410 S	*	3/2001	Mancini	D6/498

* cited by examiner

Primary Examiner—Janice E. Seeger

(74) *Attorney, Agent, or Firm*—McGarry Bair LLP

(57) **CLAIM**

The ornamental design for a table, as shown and described.

DESCRIPTION

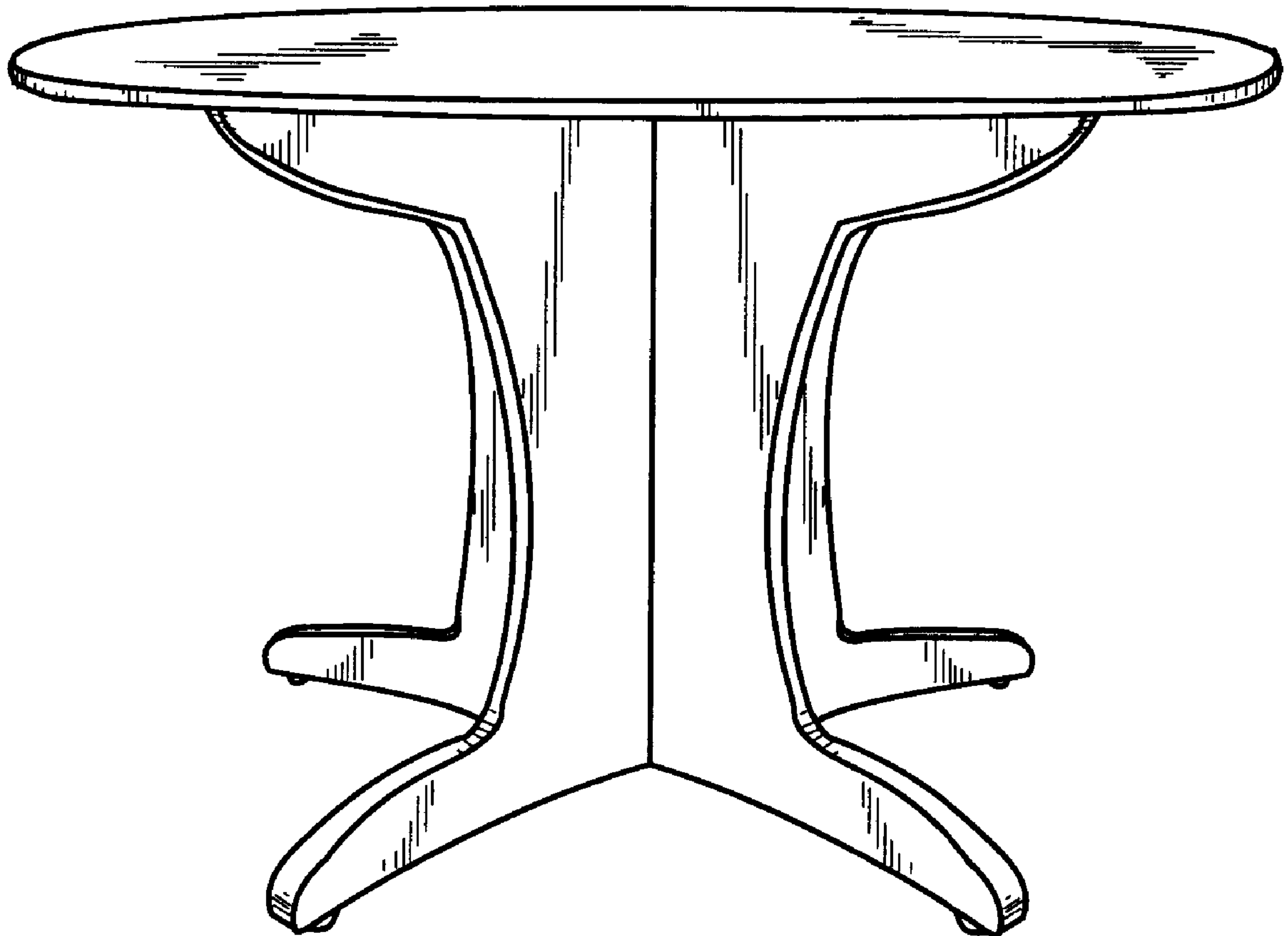
FIG. 1 is a perspective view of a table according to our design;

FIG. 2 is a front view of the table of FIG. 1, the back, left, and right being identical views thereof;

FIG. 3 is a top view of the table of FIGS. 1 and 2; and,

FIG. 4 is a bottom view of the table of FIGS. 1-3.

1 Claim, 2 Drawing Sheets



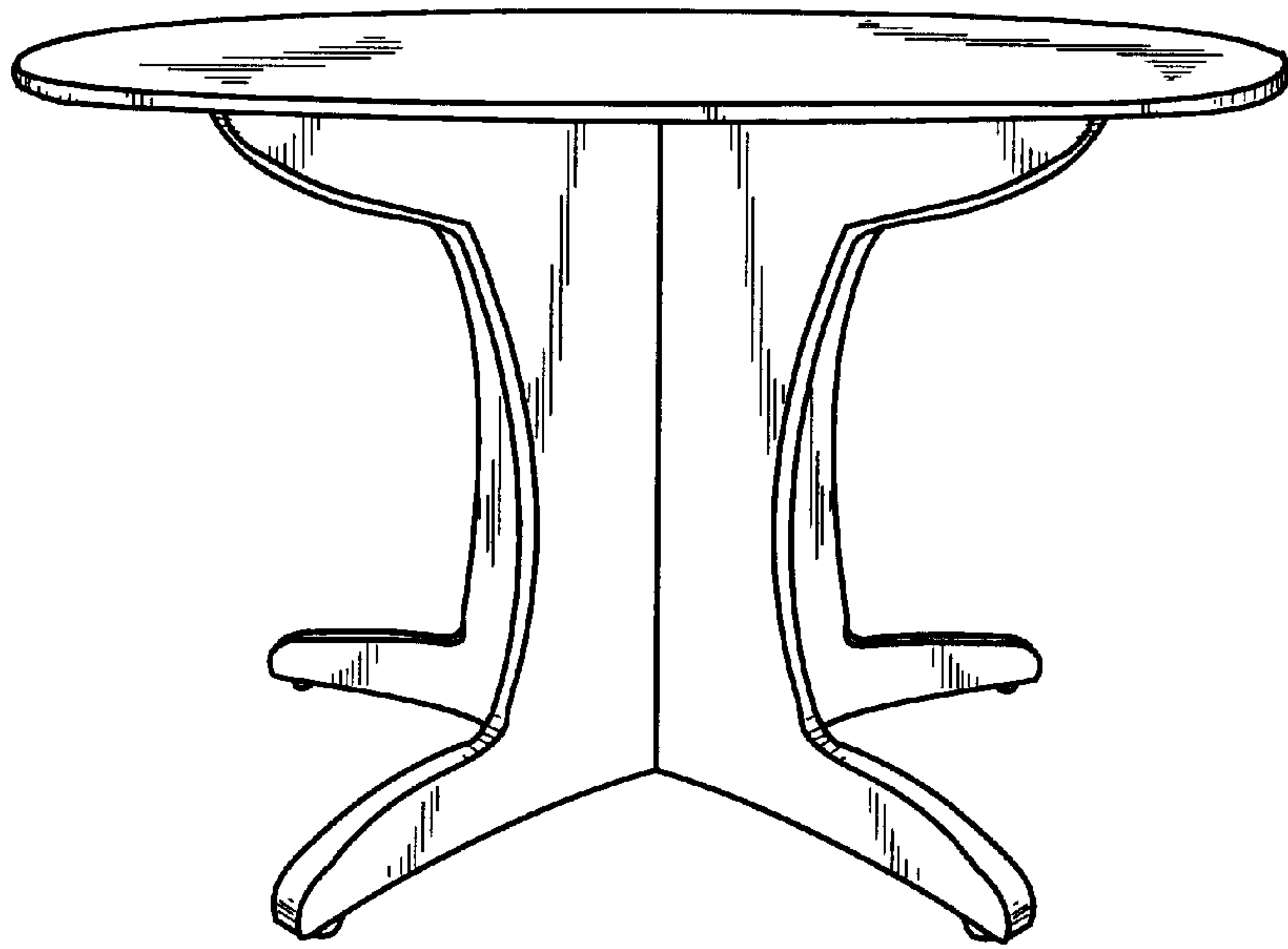


Fig. 1

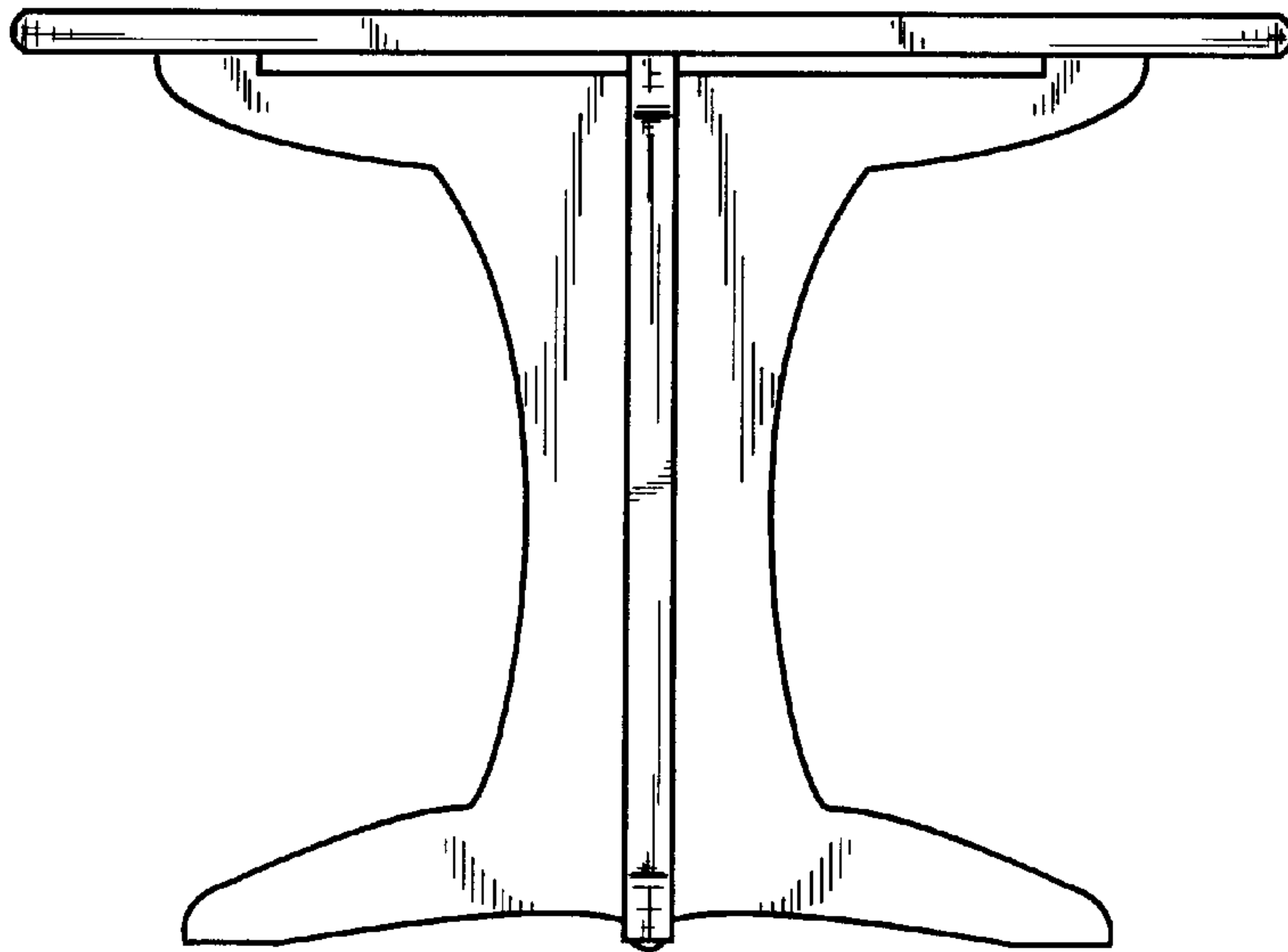


Fig. 2

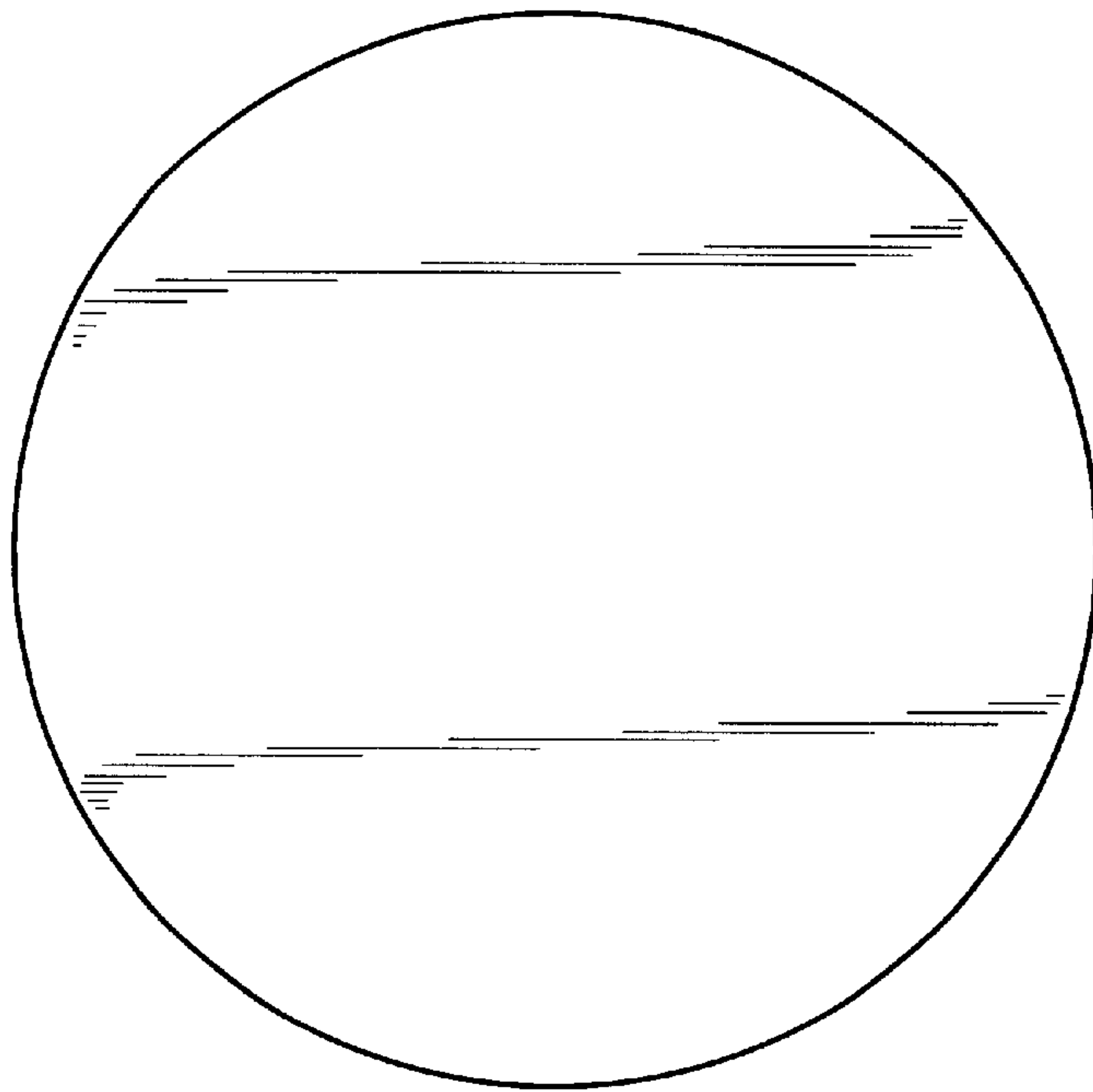


Fig. 3

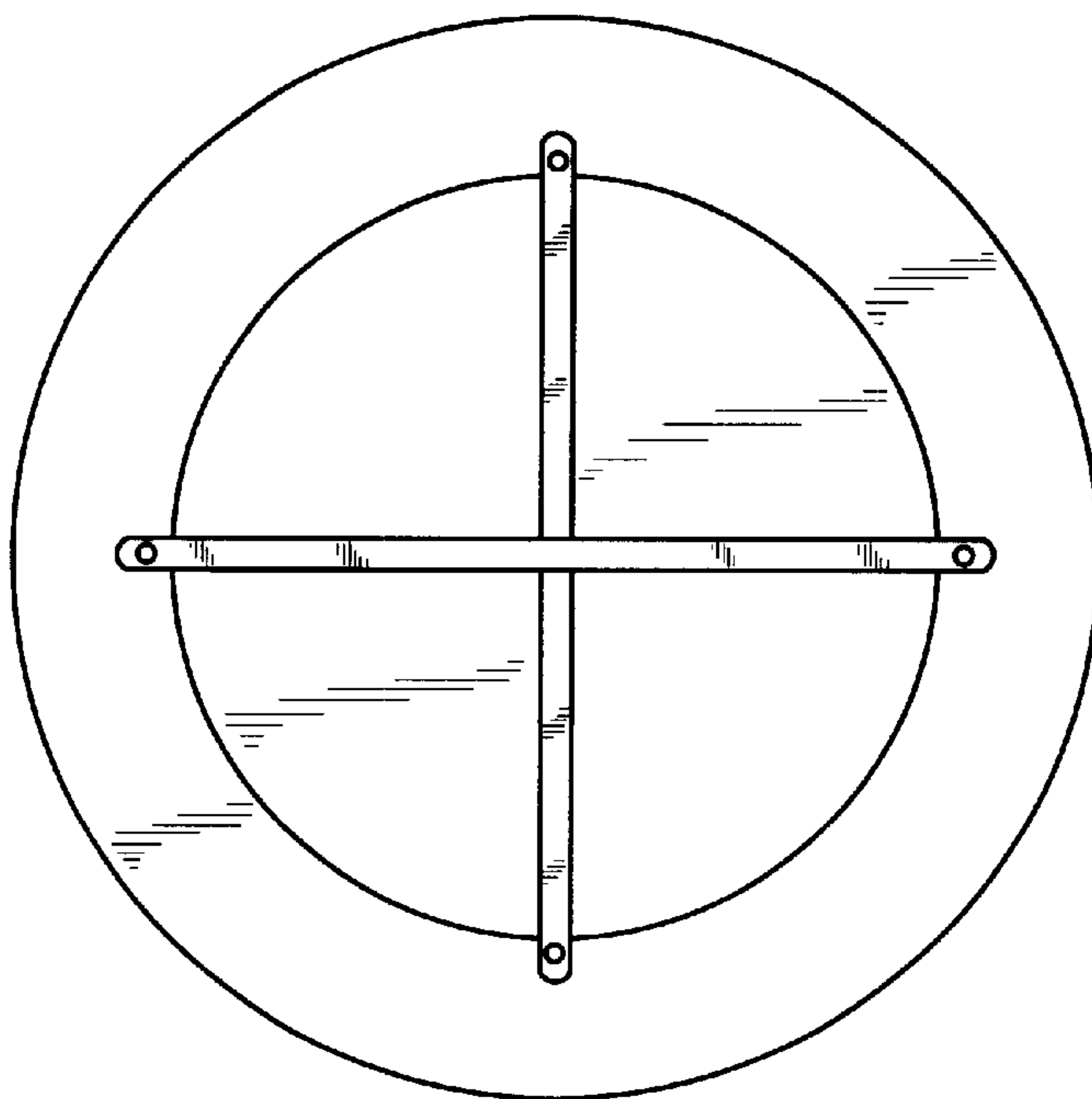


Fig. 4