



US00D463167S

(12) **United States Design Patent**
Goodworth

(10) **Patent No.:** **US D463,167 S**

(45) **Date of Patent:** **** Sep. 24, 2002**

(54) **TABLE**

(75) **Inventor:** **William H. Goodworth**, Davenport, IA
(US)

(73) **Assignee:** **HON Technology Inc.**, Muscatine, IA
(US)

(**) **Term:** **14 Years**

(21) **Appl. No.:** **29/151,049**

(22) **Filed:** **Oct. 24, 2001**

(51) **LOC (7) Cl.** **06-03**

(52) **U.S. Cl.** **D6/486**

(58) **Field of Search** D6/480-489, 495-499,
D6/511; 108/150, 153.1, 155, 156, 161,
50.01, 50.02; 248/188, 188.1, 188.7

(56) **References Cited**

U.S. PATENT DOCUMENTS

3,153,524 A * 10/1964 Greenfield et al. 248/188.7

3,994,461 A * 11/1976 Dorantes 248/188.7

D401,086 S * 11/1998 Hellwig et al. D6/482

D413,212 S * 8/1999 Dame et al. D6/487

D441,991 S * 5/2001 Fan D6/477

* cited by examiner

Primary Examiner—Janice E. Seeger

(74) *Attorney, Agent, or Firm*—Jones, Day, Reavis & Pogue

(57) **CLAIM**

The ornamental design for a table, as shown and described.

DESCRIPTION

FIG. 1 is a top perspective view of a table showing my new design;

FIG. 2 is a side perspective view thereof;

FIG. 3 is a side perspective view showing the side opposite that is shown in FIG. 2;

FIG. 4 is another side perspective view thereof; and,

FIG. 5 is a top plan view thereof.

1 Claim, 5 Drawing Sheets

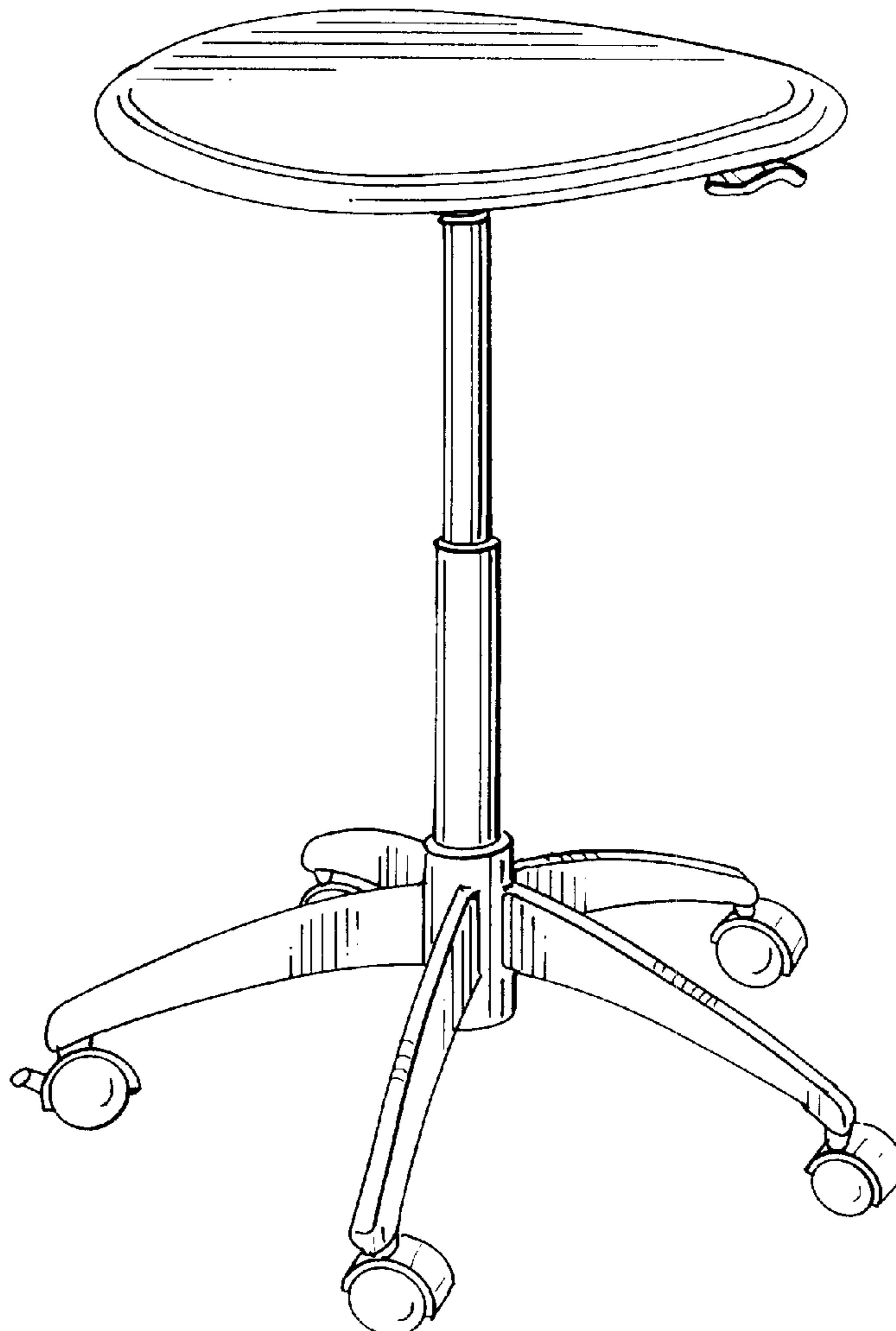


FIG. 1

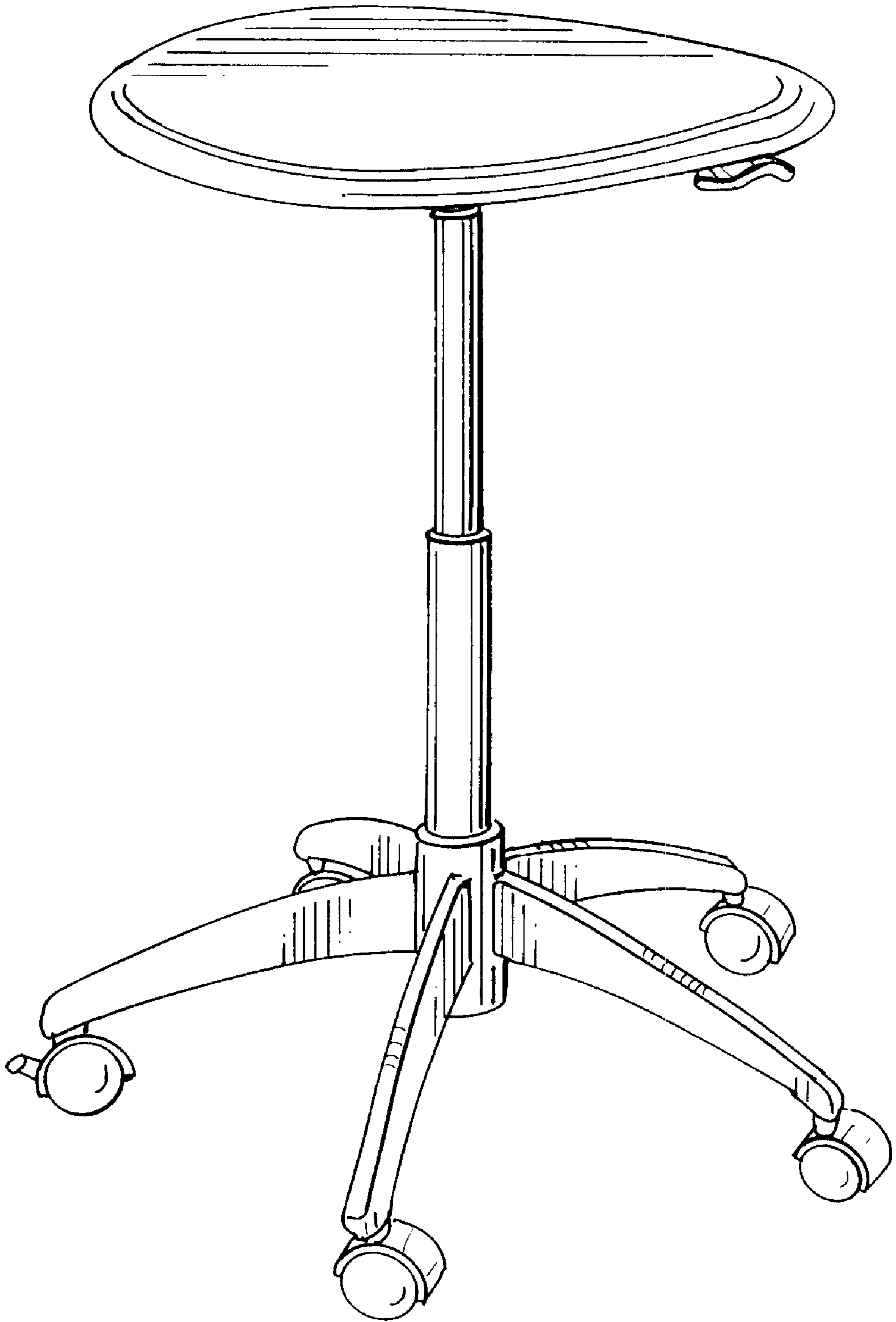


FIG. 2

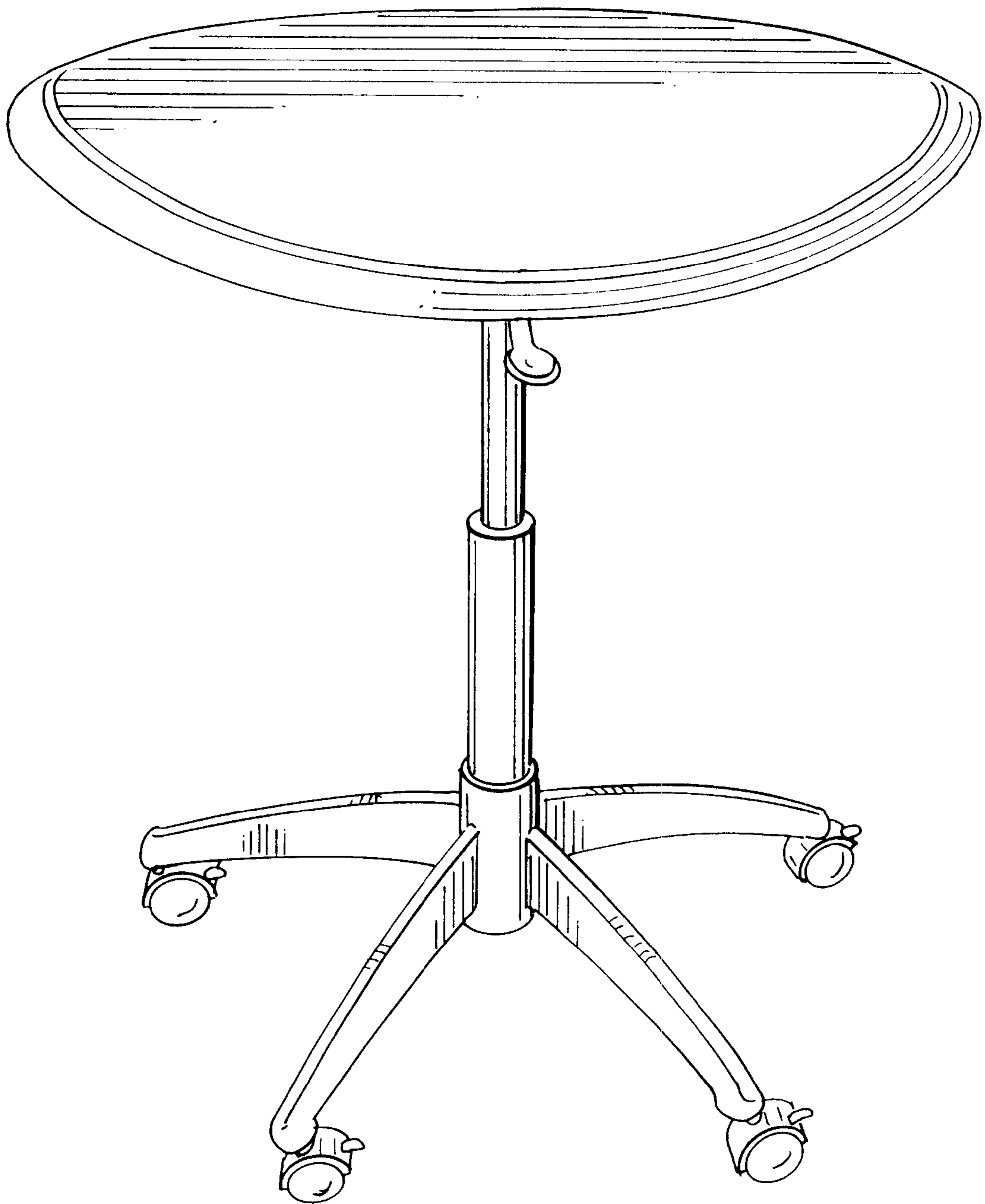


FIG. 3

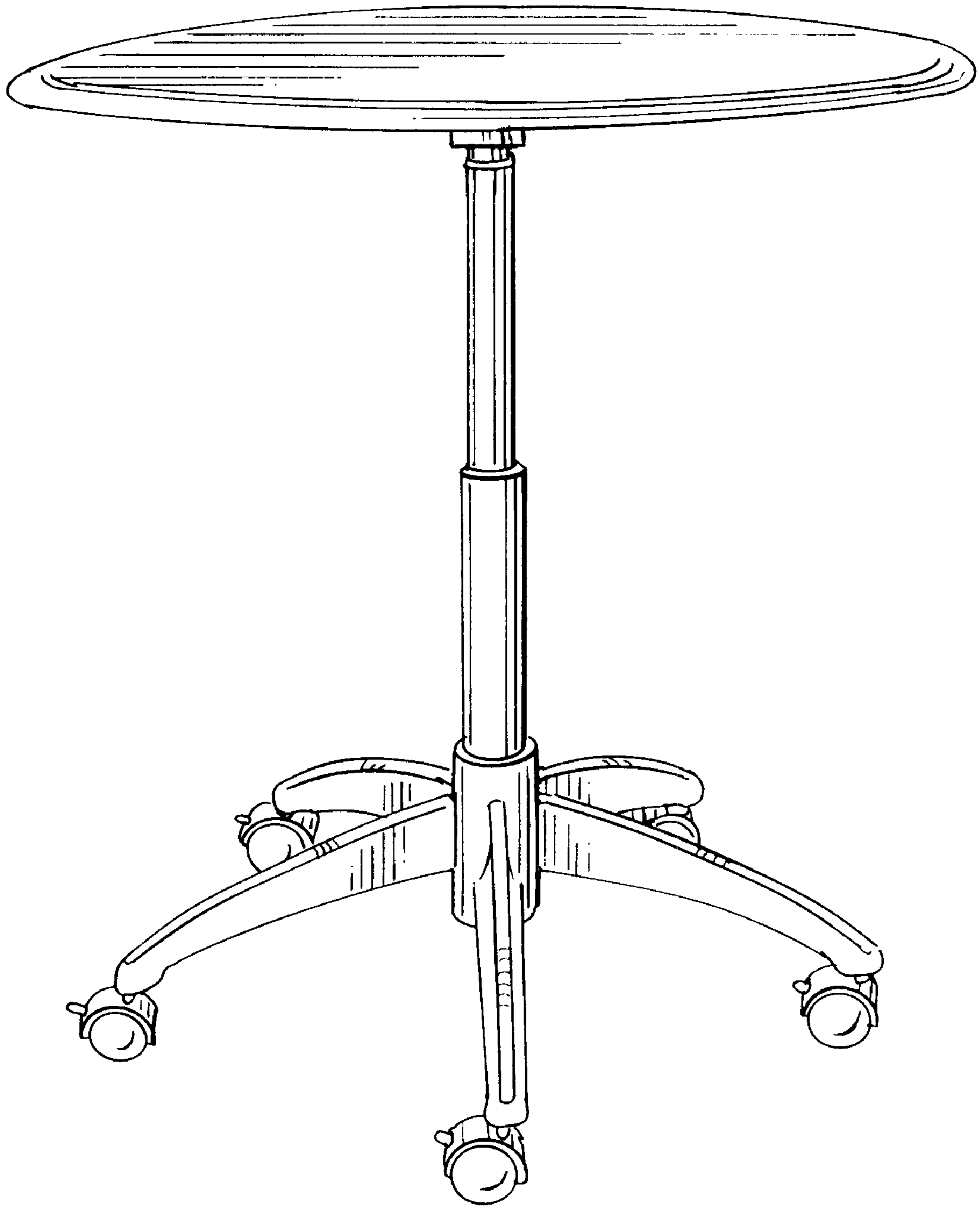


FIG. 4

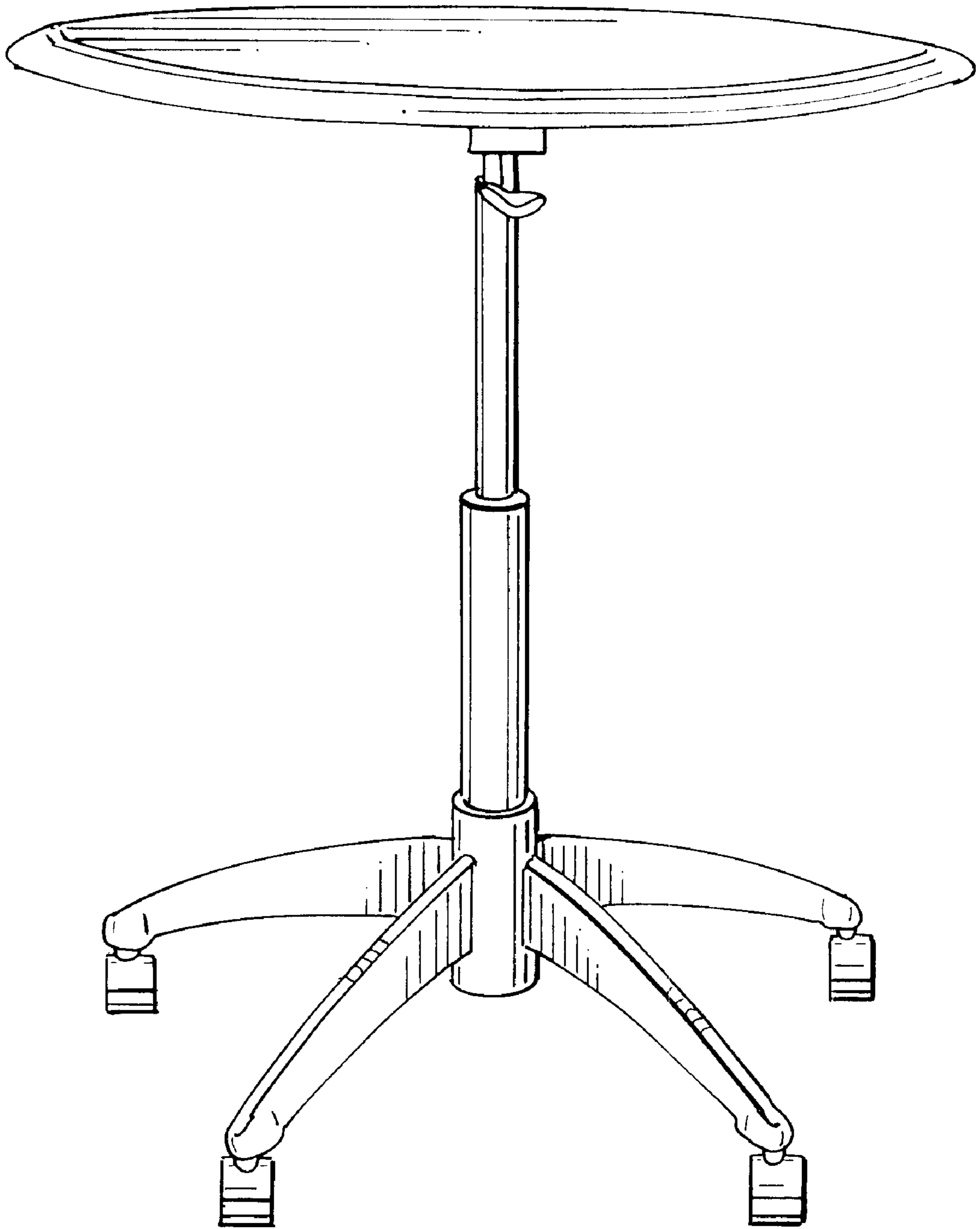


FIG. 5

