



US00D463159S

(12) **United States Design Patent**
Waggoner

(10) **Patent No.:** **US D463,159 S**

(45) **Date of Patent:** **** Sep. 24, 2002**

(54) **FLOWER POT HOLDER**

(76) Inventor: **Dennis H. Waggoner**, 1809 W. 13th St., Erie, PA (US) 16505

(**) Term: **14 Years**

(21) Appl. No.: **29/152,069**

(22) Filed: **Nov. 2, 2001**

(51) **LOC (7) Cl.** **06-99**

(52) **U.S. Cl.** **D6/403**

(58) **Field of Search** D11/143, 155,
D11/156; 47/41.01, 65.5, 39; D6/403, 556;
206/423; 248/27.8, 121

(56) **References Cited**

U.S. PATENT DOCUMENTS

1,725,407	A	*	8/1929	Midlo	47/41.01
D137,050	S	*	1/1944	Hill	D11/155
4,031,663	A	*	6/1977	Brunk	47/39
D322,769	S	*	12/1991	Gingras et al.	D11/155
5,127,184	A	*	7/1992	Cosentino	47/41.01

* cited by examiner

Primary Examiner—Doris V. Coles

Assistant Examiner—Mimosa De

(74) *Attorney, Agent, or Firm*—Kenneth W. Wargo

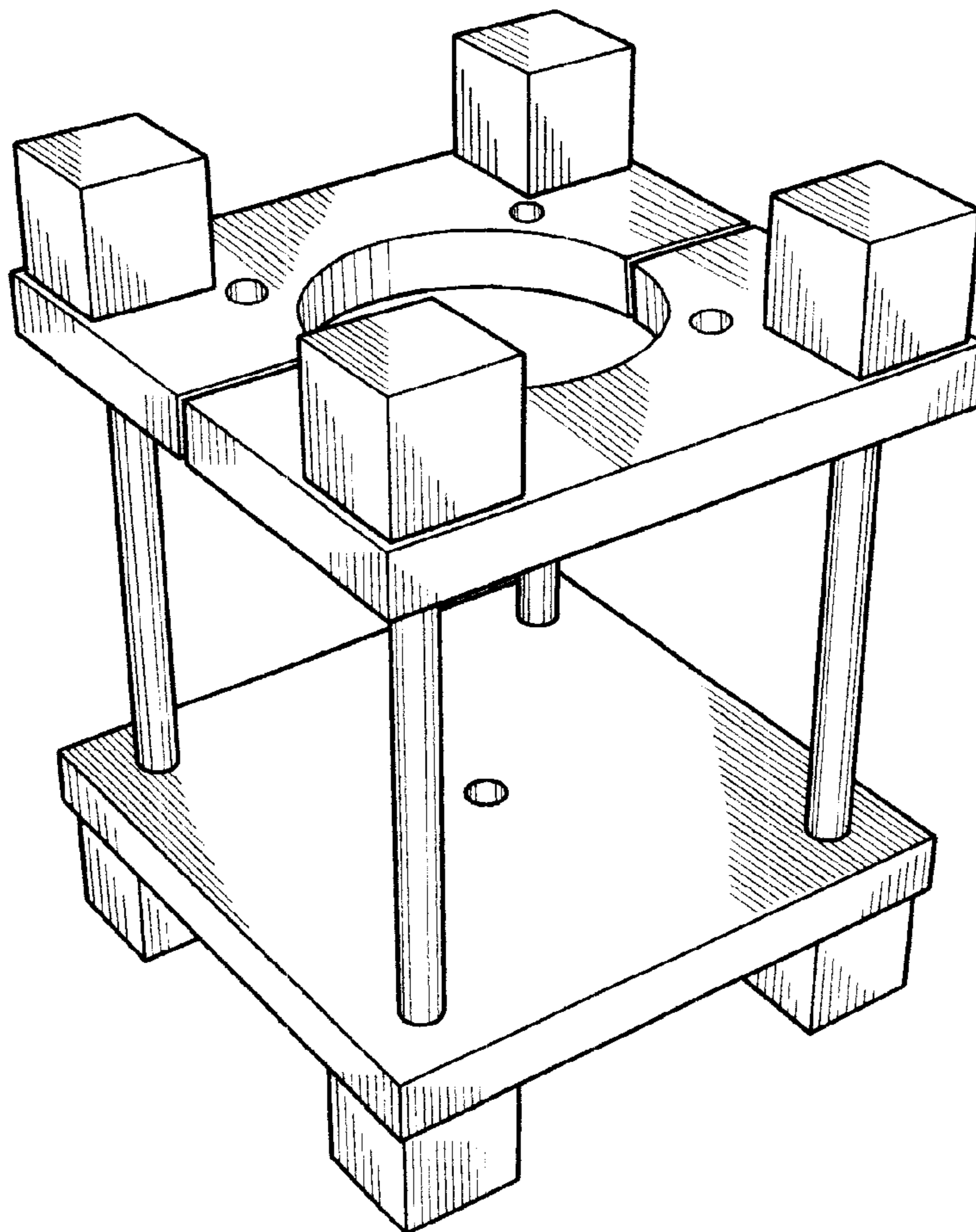
(57) **CLAIM**

The ornamental design for the flower pot holder, as shown and described.

DESCRIPTION

FIG. 1—A perspective view of the flower pot holder;
 FIG. 2—A front elevational view of the flower pot holder of the invention;
 FIG. 3—A rear elevational view of the flower pot holder of the invention;
 FIG. 4—A side elevational view of the flower pot holder of the invention;
 FIG. 5—an opposite elevational view of the flower pot holder of the invention;
 FIG. 6—A top plan view of the flower pot holder of the invention; and,
 FIG. 7—A bottom plan view of the flower pot holder of the invention.

1 Claim, 2 Drawing Sheets



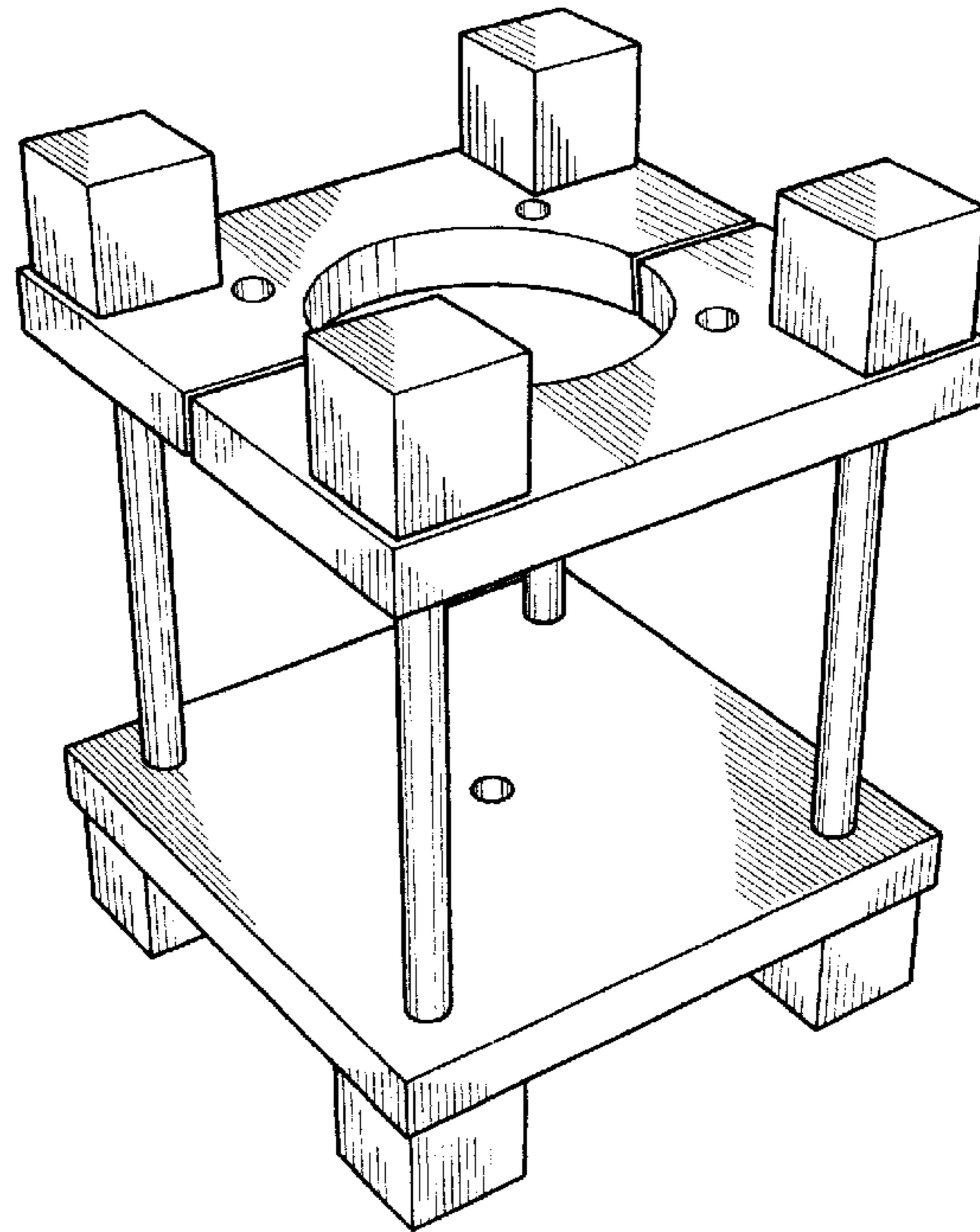


Fig. 1

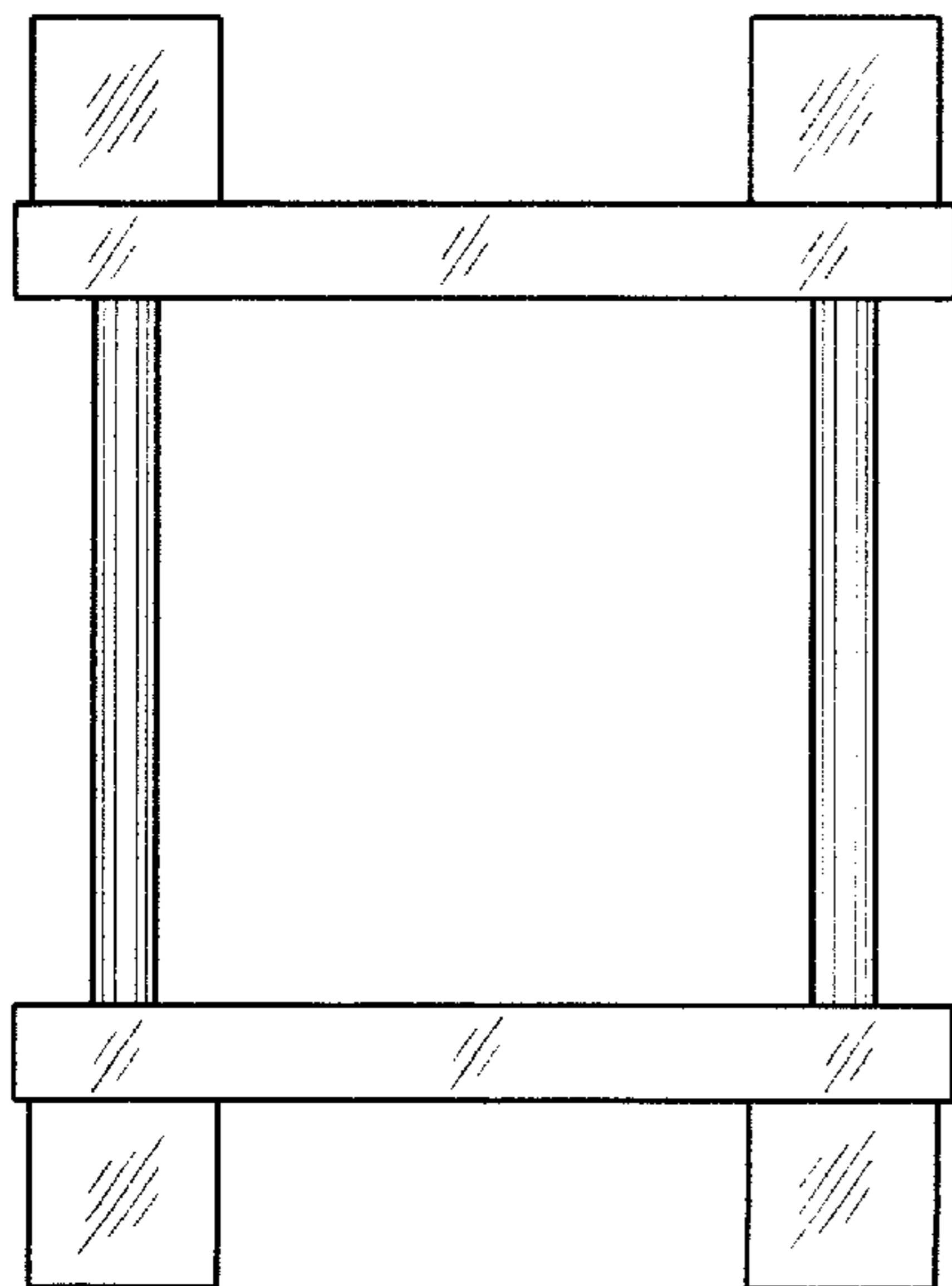


Fig. 2

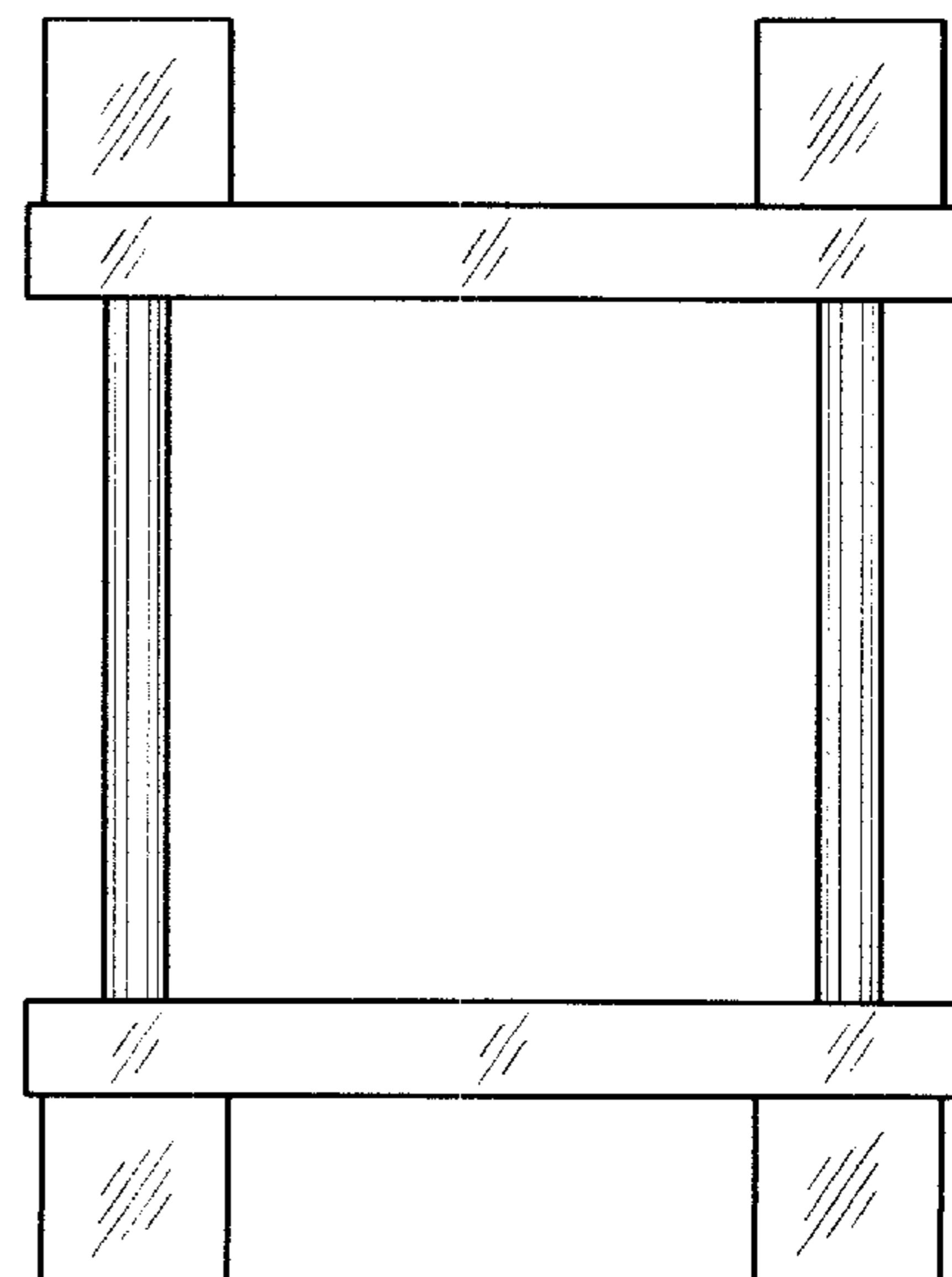


Fig. 3

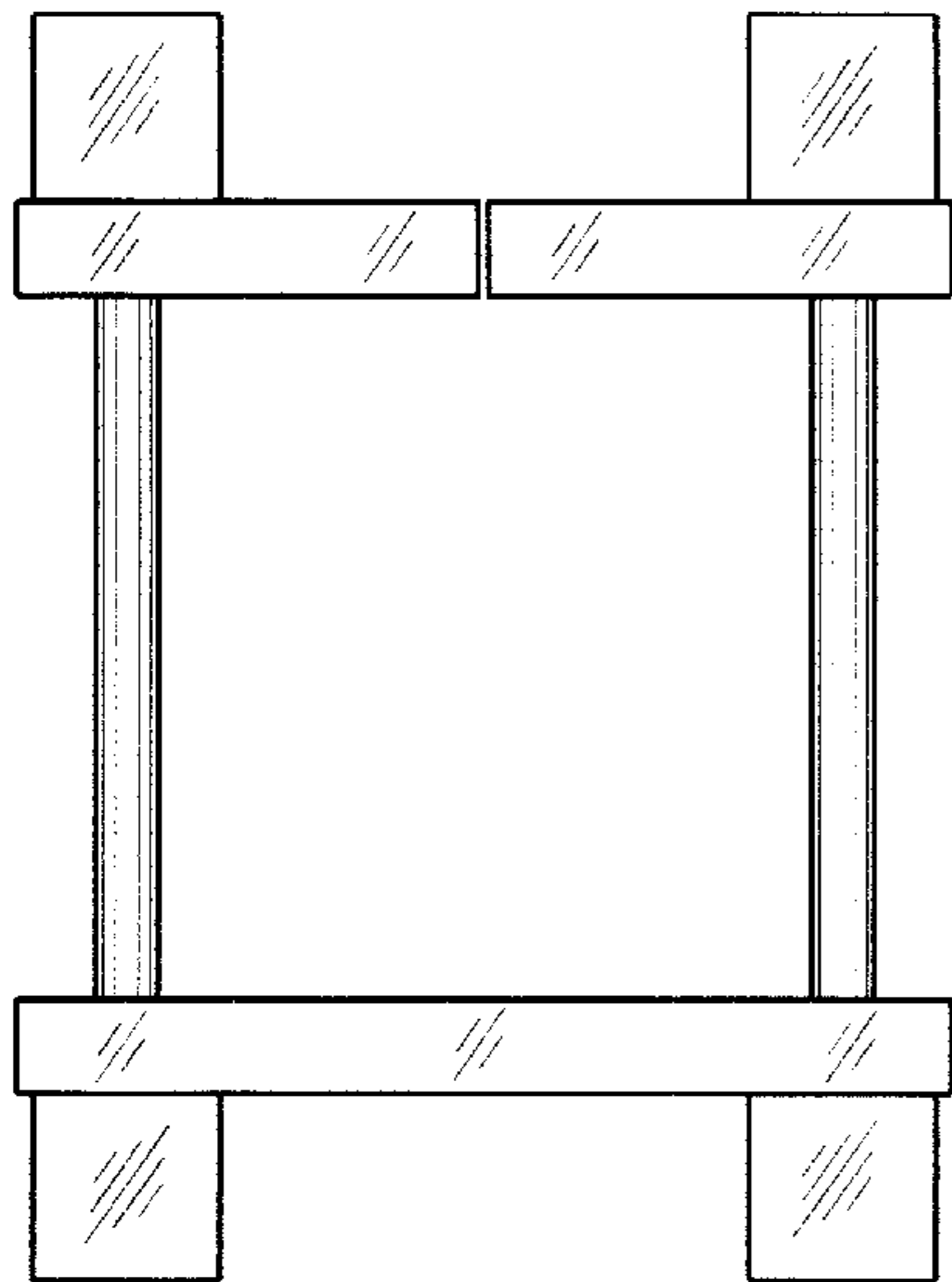


Fig. 4

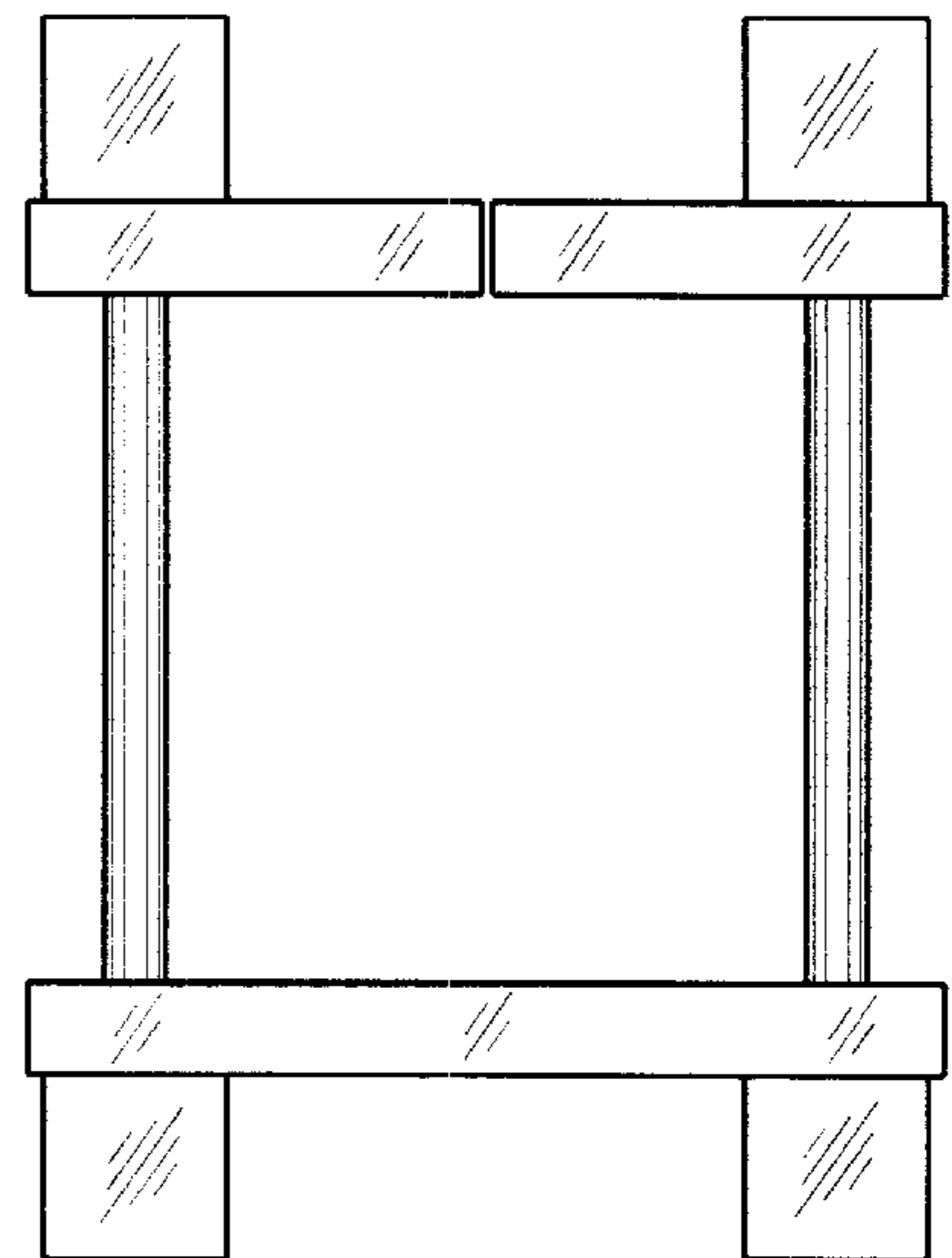


Fig. 5

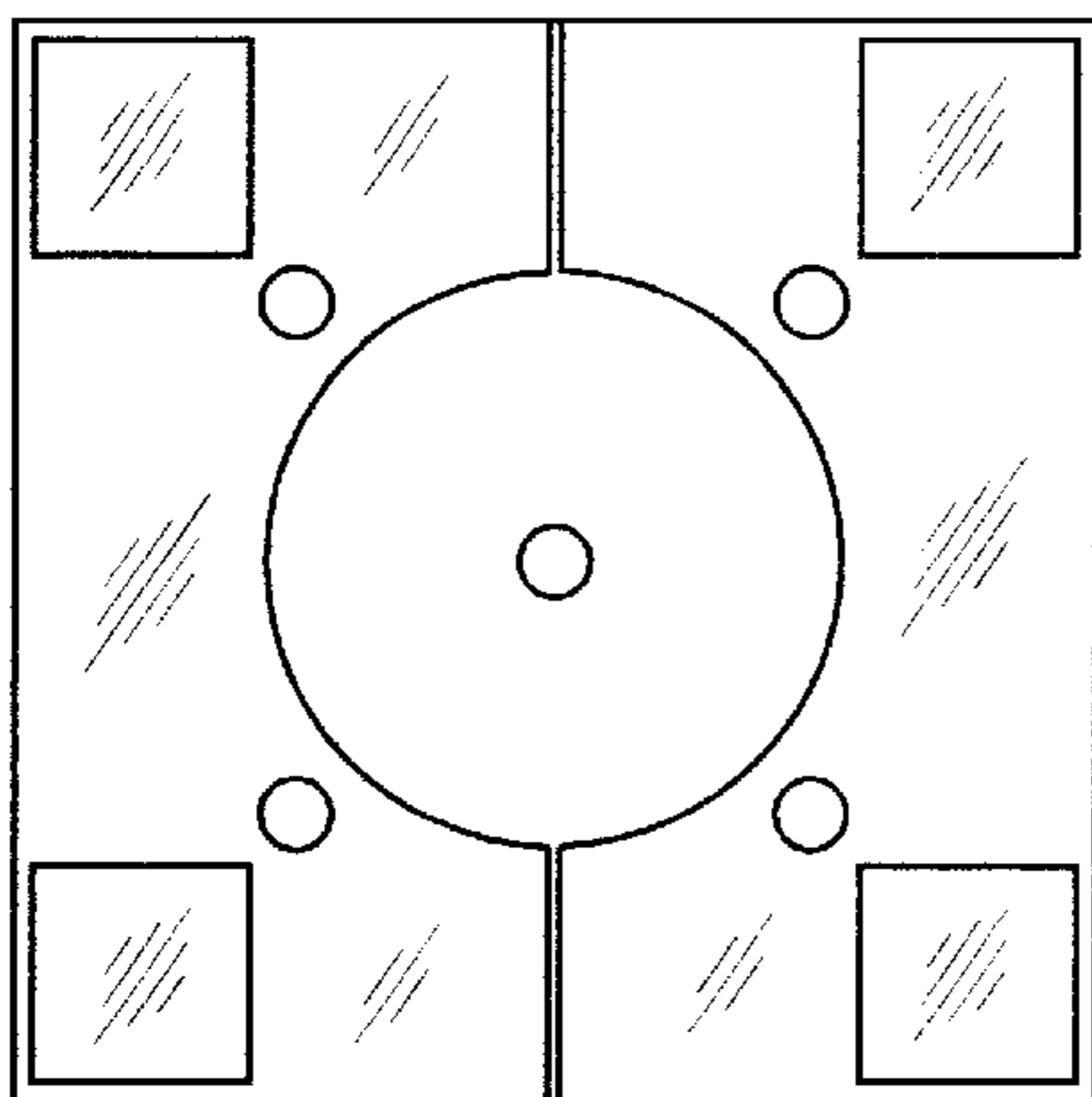


Fig. 6

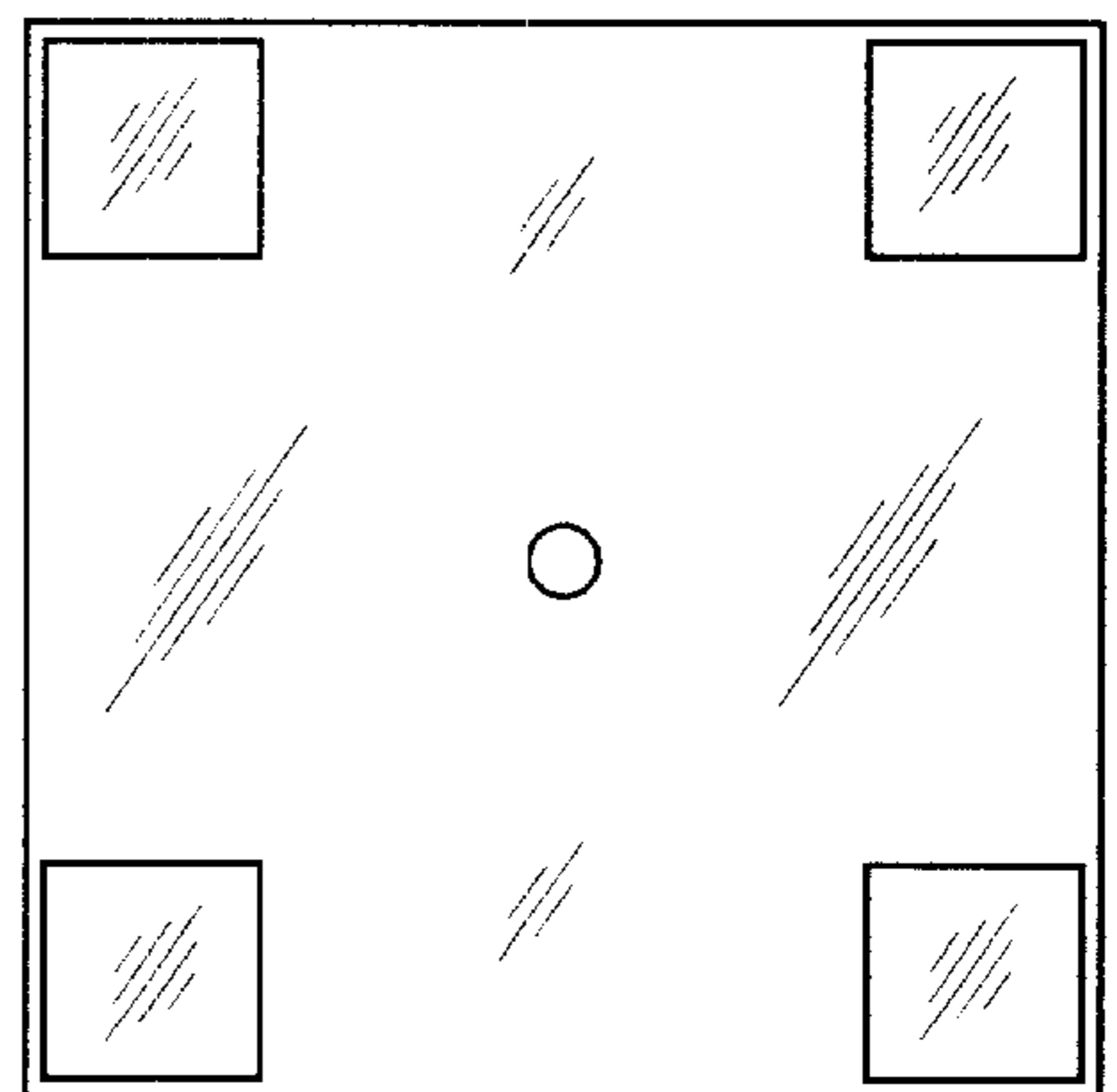


Fig. 7