



US00D463158S

(12) **United States Design Patent**
Lu

(10) **Patent No.:** **US D463,158 S**

(45) **Date of Patent:** **** Sep. 24, 2002**

(54) **TWO-TIER PLANT STAND**

D410,347 S 6/1999 Lu
D431,128 S 9/2000 Rehmert et al.
D449,179 S * 10/2001 Sellers D6/403

(76) Inventor: **James Lu**, International Business Corporation, 5705 Commerce Blvd., Alpharetta, GA (US) 30004

* cited by examiner

(**) Term: **14 Years**

Primary Examiner—Doris V. Coles
Assistant Examiner—Mimosa De
(74) *Attorney, Agent, or Firm*—Robert M. Jackson; Robert J. Veal; Burr & Forman LLP

(21) Appl. No.: **29/143,023**

(22) Filed: **Jun. 5, 2001**

(57) **CLAIM**

(51) **LOC (7) Cl.** **06-99**

The ornamental design for a two-tier plant stand, as shown and described.

(52) **U.S. Cl.** **D6/403**

(58) **Field of Search** D11/143, 152;
D6/403, 405, 462, 487; D7/403, 704; D8/370;
47/39, 40; 206/423; 211/106, 85.31, 85.23;
248/27.8, 127

DESCRIPTION

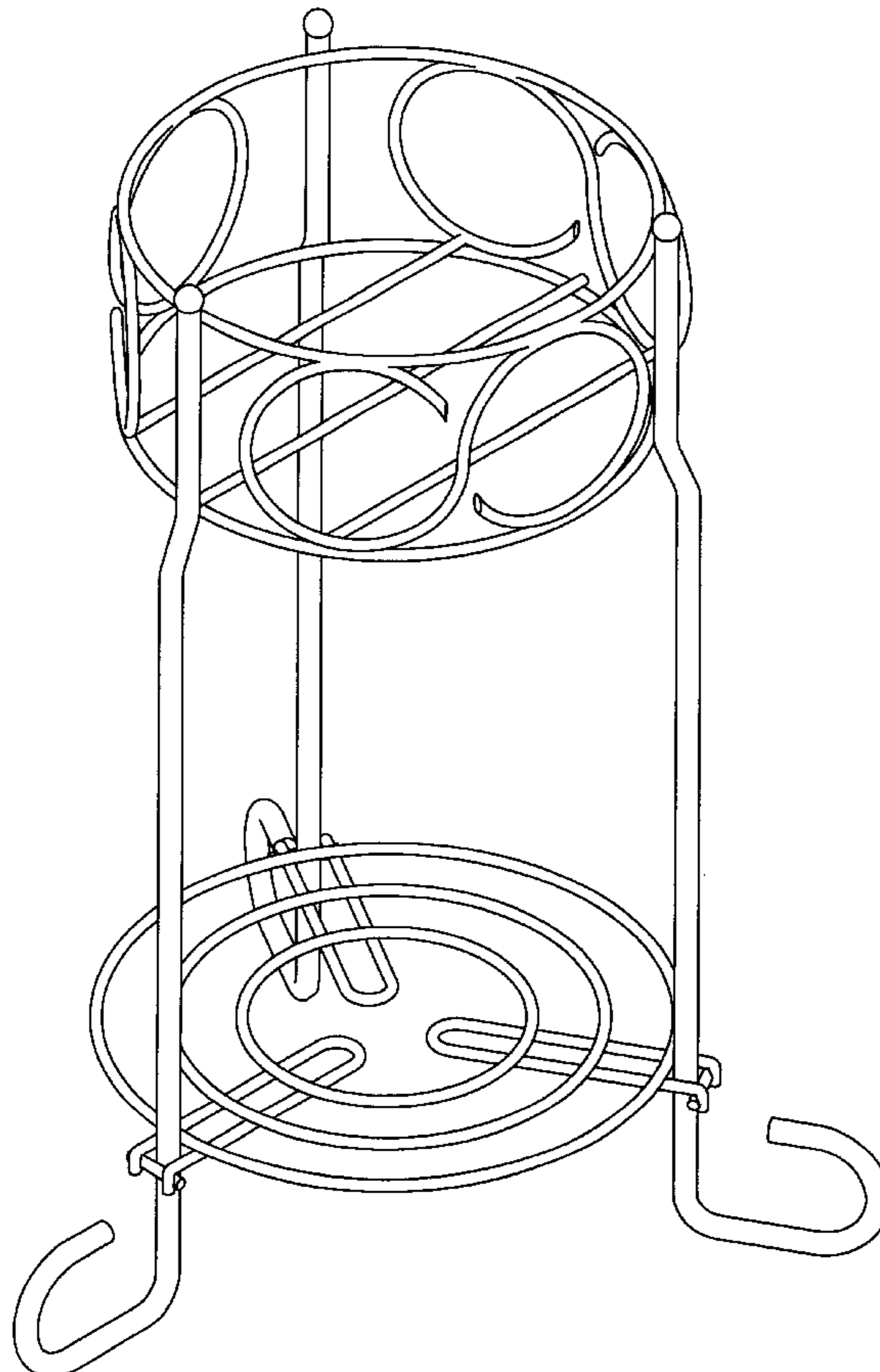
(56) **References Cited**

U.S. PATENT DOCUMENTS

D87,162 S	6/1932	Malik	
D343,968 S	* 2/1994	Emalfarb et al.	D6/462
D362,762 S	10/1995	Emalfarb et al.	
D365,700 S	* 1/1996	Lee	D6/403
D369,697 S	* 5/1996	Hollinger	D6/403
D369,698 S	5/1996	Hollinger	
D372,137 S	* 7/1996	Hollinger	D6/403
5,810,181 A	9/1998	Emalfarb et al.	
D405,290 S	* 2/1999	Hollinger	D6/403

FIG. 1 is a perspective view of a two-tier plant stand showing my new design;
FIG. 2 is a side elevational view of the claimed design;
FIG. 3 is a top plan view of the claimed design;
FIG. 4 is a bottom plan view of the claimed design;
FIG. 5 is a second perspective view of the claimed design showing the lower tier element for clarity of illustration; and,
FIG. 6 is a sectional view of the claimed design showing a top plan view of the lower tier element for clarity of illustration.

1 Claim, 6 Drawing Sheets



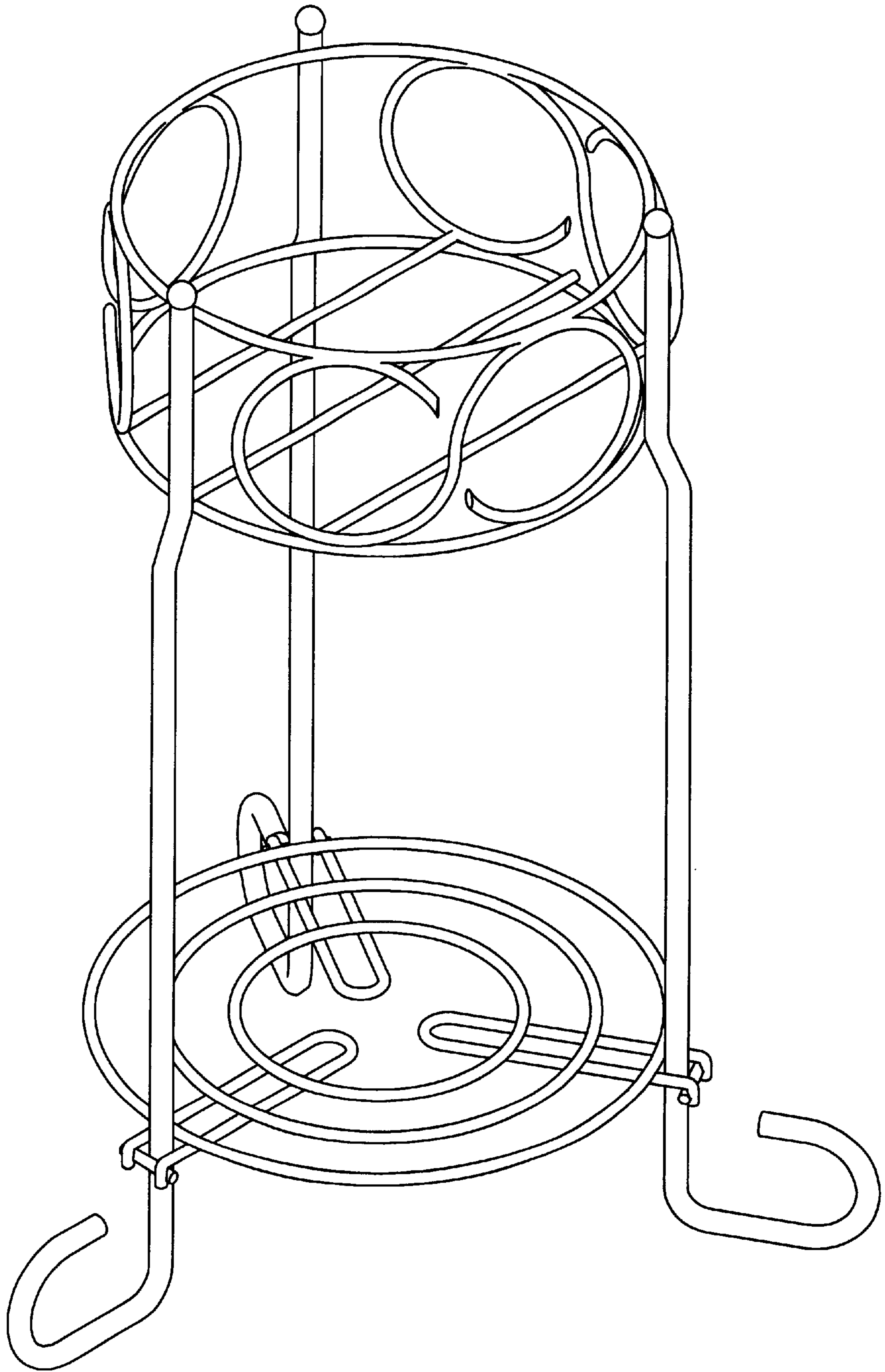


FIG. 1

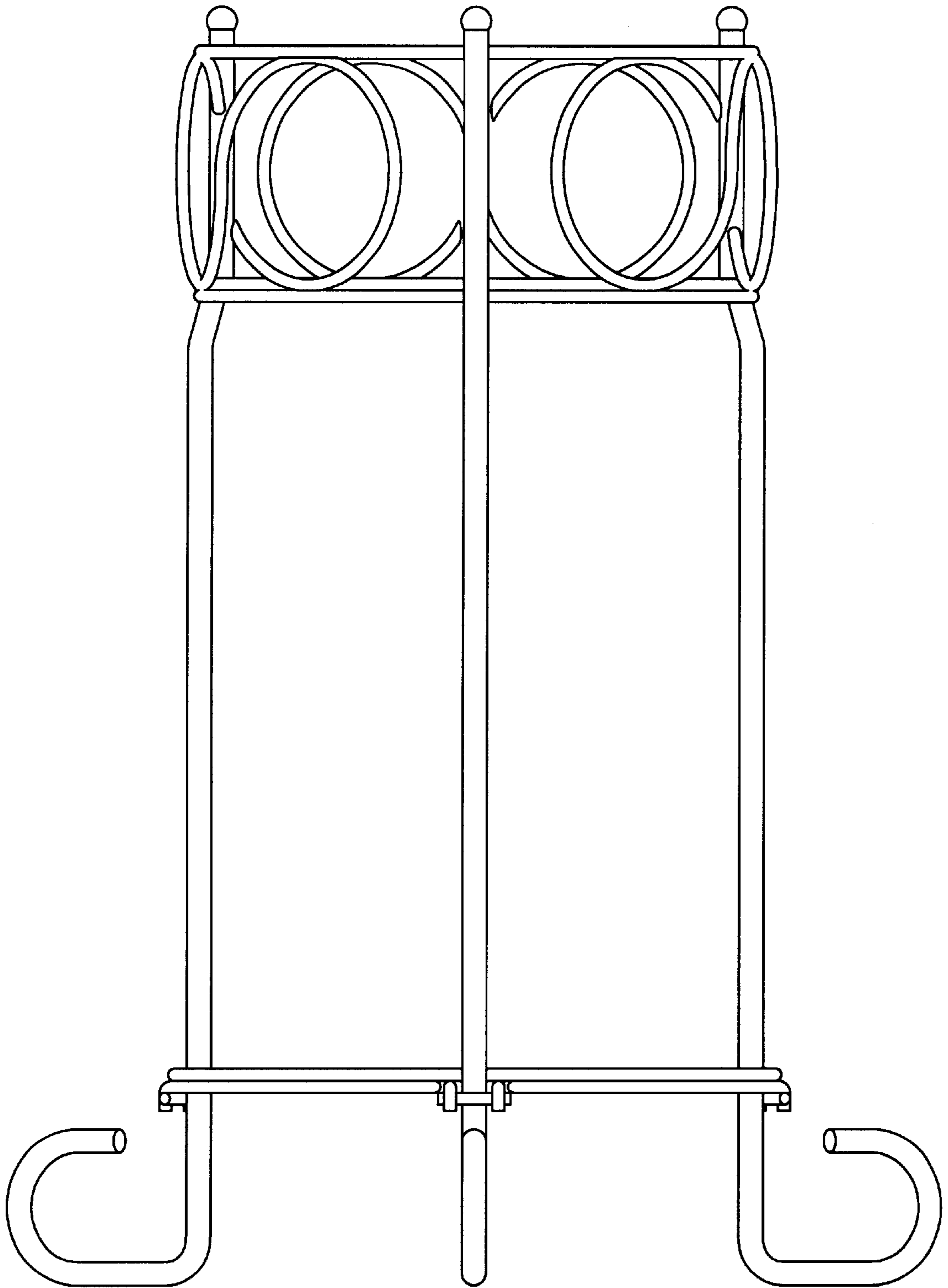


FIG. 2

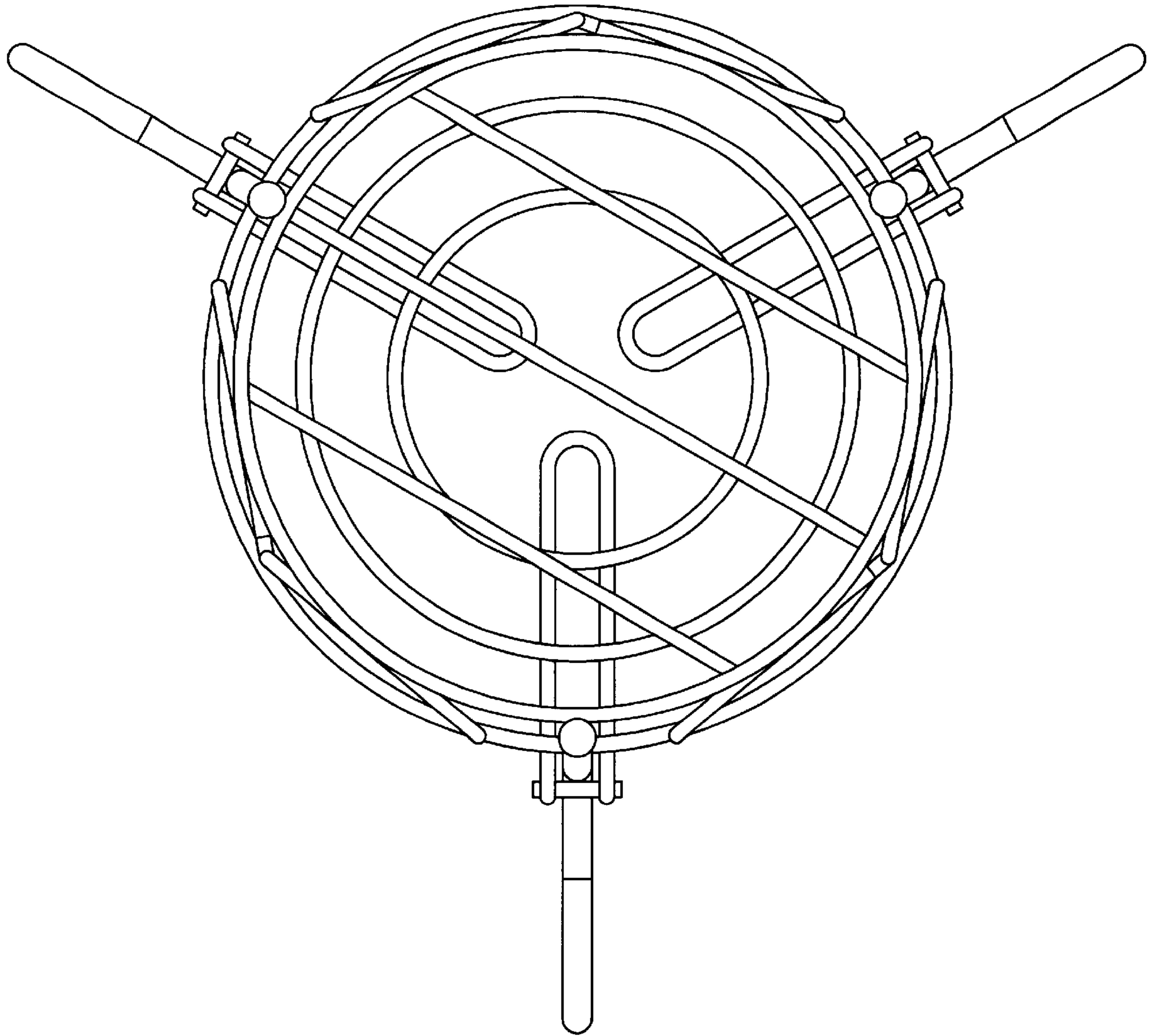


FIG. 3

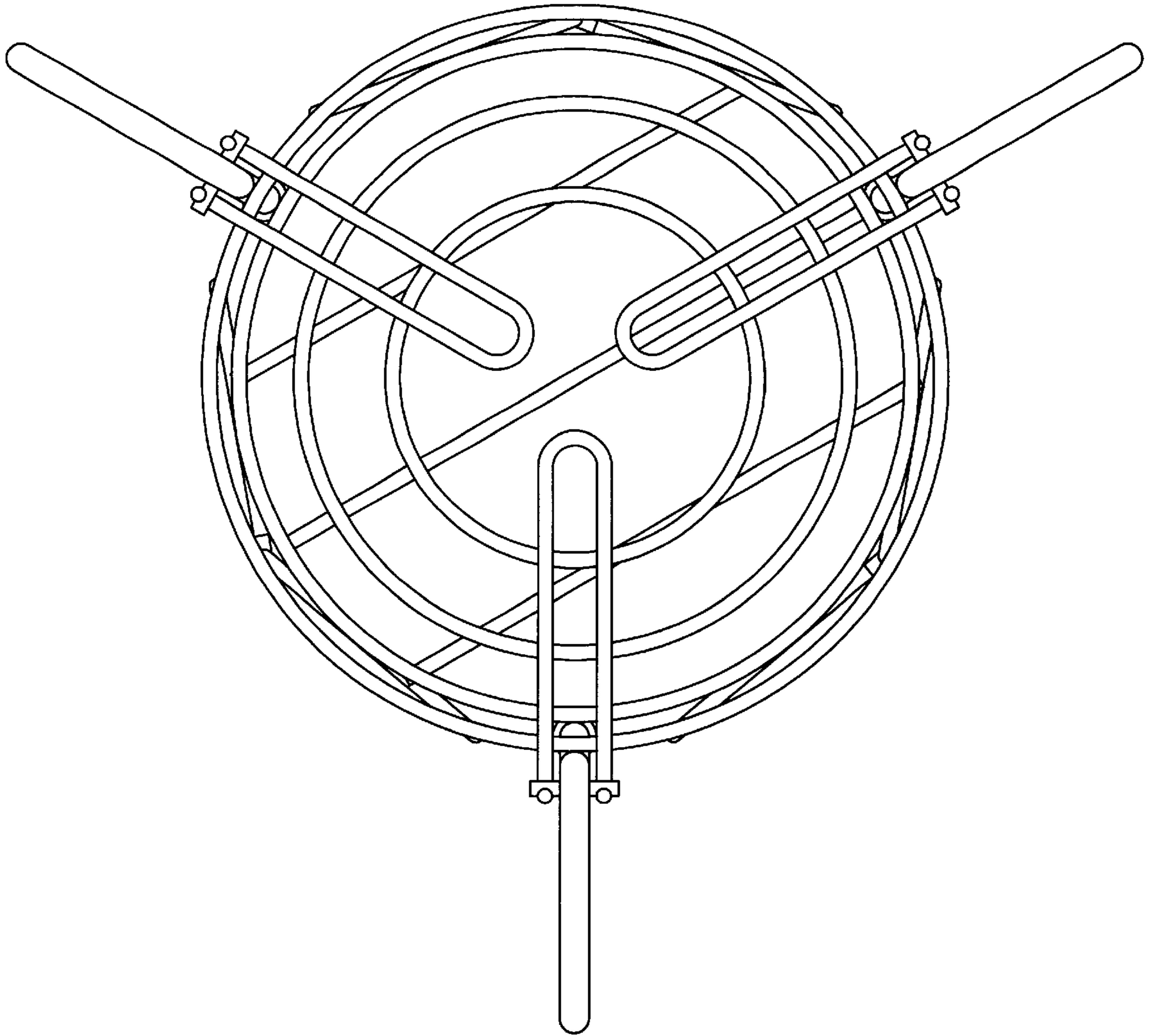


FIG. 4

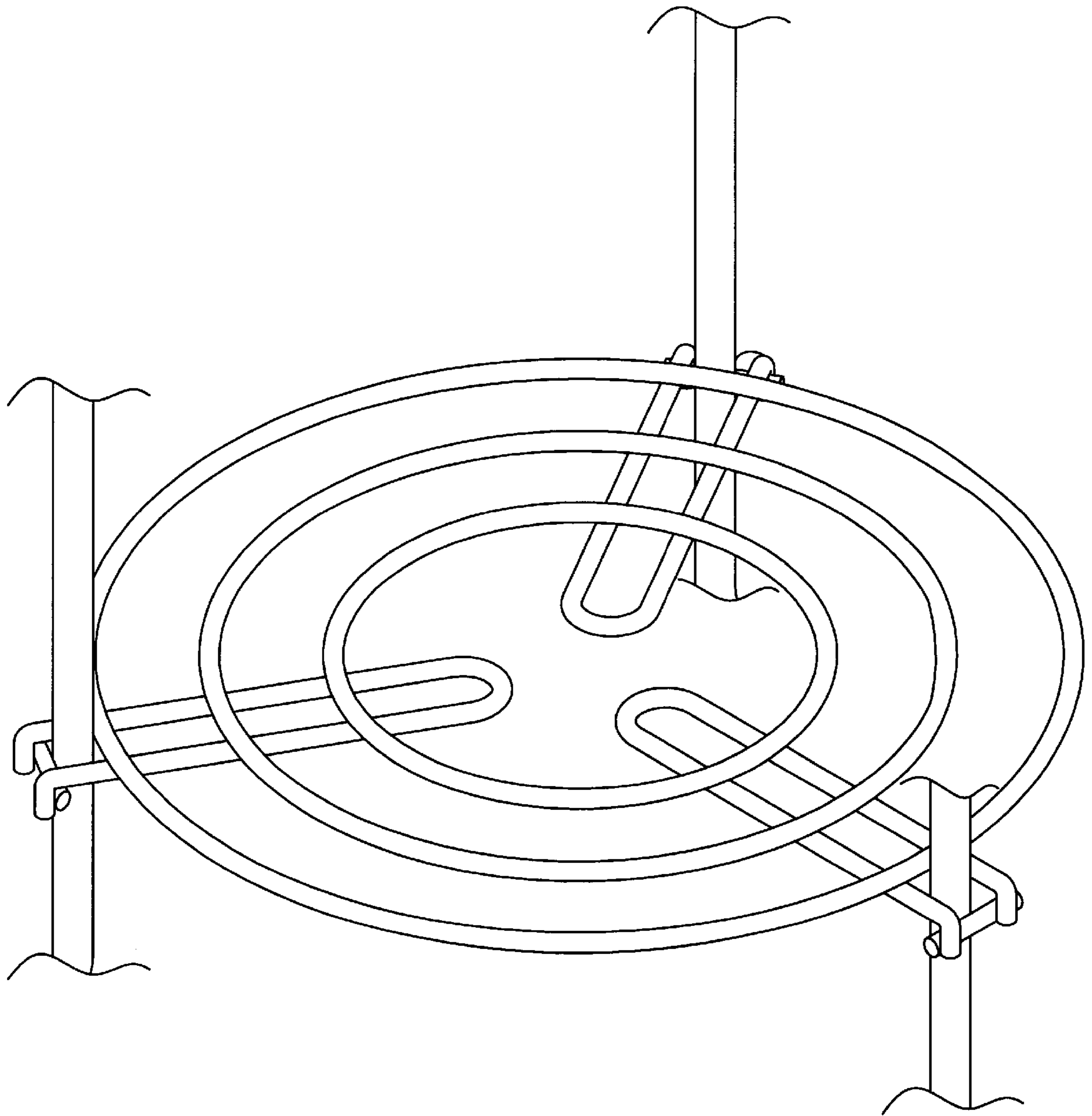


FIG. 5

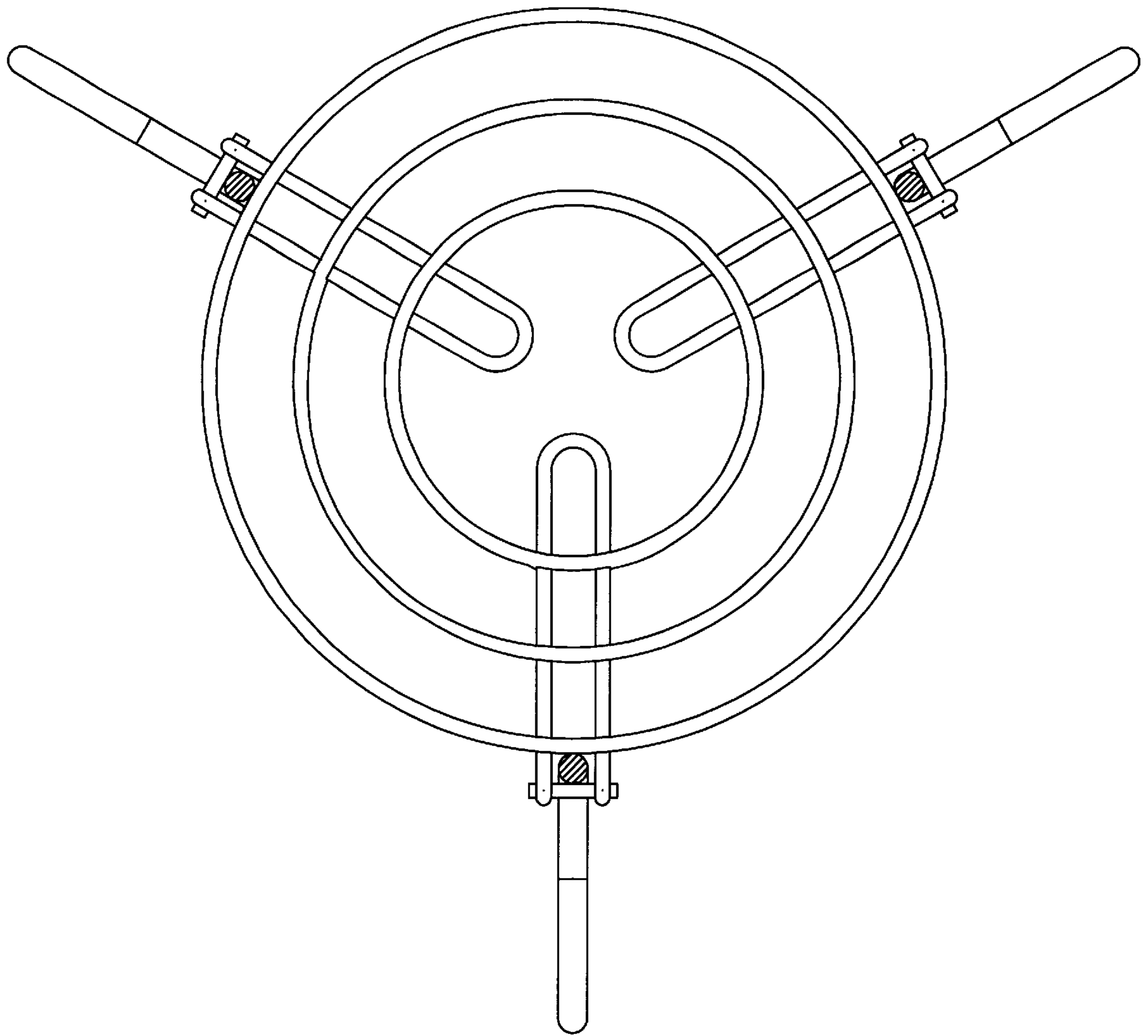


FIG. 6