



US00D463155S

(12) **United States Design Patent**
Lenger

(10) **Patent No.:** **US D463,155 S**

(45) **Date of Patent:** **** Sep. 24, 2002**

(54) **BED FRAME**

(75) Inventor: **Sidney A. Lenger**, Kernersville, NC (US)

(73) Assignee: **Schottenstein Stores Corporation**, Columbus, OH (US)

(**) Term: **14 Years**

(21) Appl. No.: **29/149,549**

(22) Filed: **Oct. 12, 2001**

(51) **LOC (7) Cl.** **06-01**

(52) **U.S. Cl.** **D6/393**

(58) **Field of Search** D6/382, 389, 392-395, D6/505-508; 5/53.1, 279.1, 280, 281, 907

(56) **References Cited**

U.S. PATENT DOCUMENTS

D12,744 S	*	2/1882	Milne	D6/505
D35,933 S	*	6/1902	Hammack	D6/388
D86,064 S	*	1/1932	Squires	D6/393
D400,034 S	*	10/1998	Zaidman	D6/505

* cited by examiner

Primary Examiner—Janice E. Seeger

(74) *Attorney, Agent, or Firm*—Wood, Herron & Evans, L.L.P.

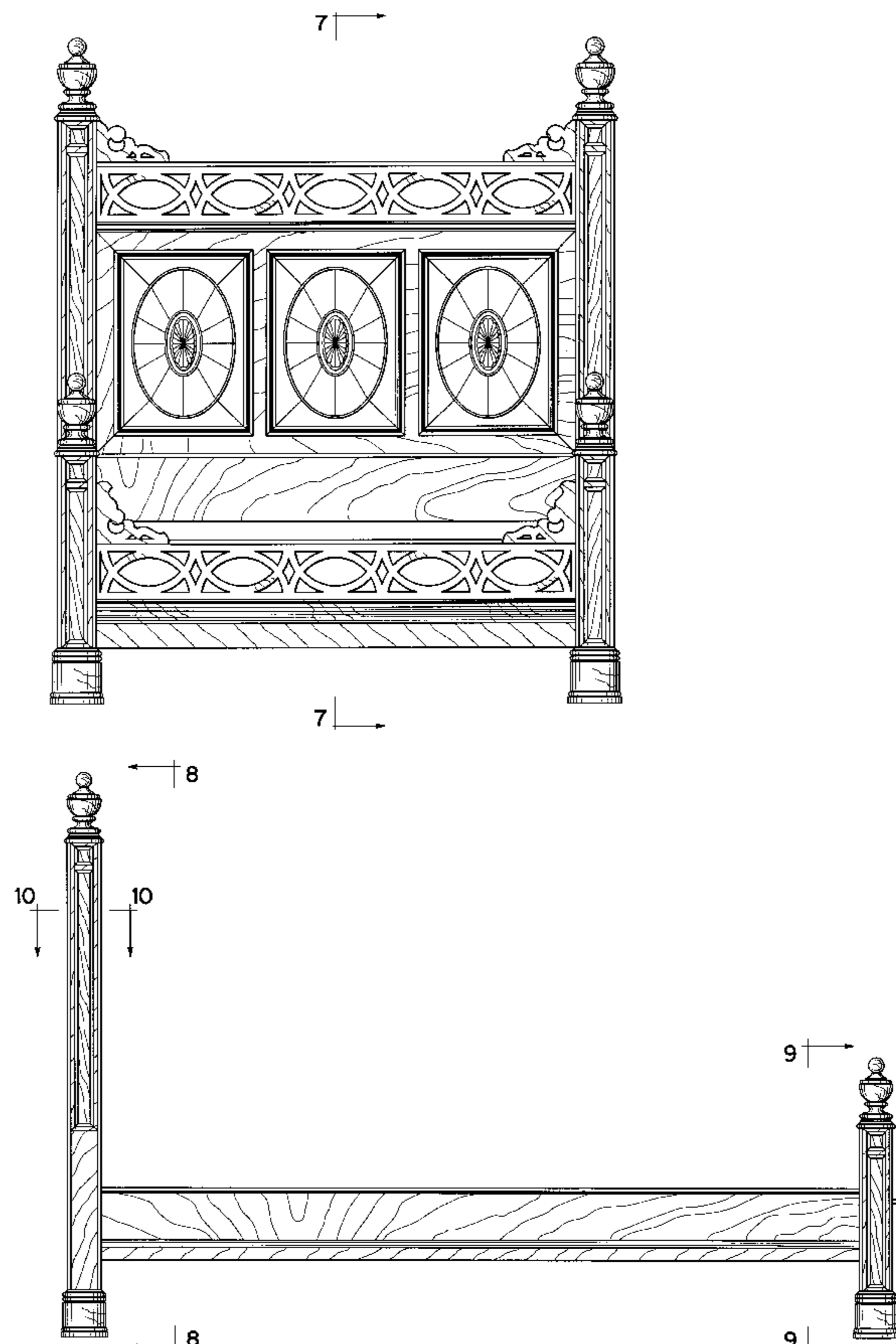
(57) **CLAIM**

The ornamental design for the bed frame, as shown and described.

DESCRIPTION

FIG. 1 is a front elevational view of a bed frame incorporating the design of my invention;
 FIG. 2 is a left elevational view thereof;
 FIG. 3 is a rear elevational view thereof;
 FIG. 4 is a right side elevational view thereof;
 FIG. 5 is a top plan view thereof;
 FIG. 6 is a bottom plan view thereof;
 FIG. 7 is a vertical elevational view along line 7—7 of FIG. 1, depicting the surface contour of the headboard and footboard;
 FIG. 8 is a vertical elevational view along line 8—8 of FIG. 2, depicting the front of the headboard;
 FIG. 9 is a vertical elevational view along Line 9—9 of FIG. 2, depicting the rear of the footboard;
 FIG. 10 is a horizontal cross-sectional view along line 10—10 of FIG. 2, depicting the surface contour of a corner of the headboard; and,
 FIG. 11 is a horizontal cross-sectional view along line 11—11 of FIG. 4, depicting the surface contour of a corner of the footboard.

1 Claim, 9 Drawing Sheets



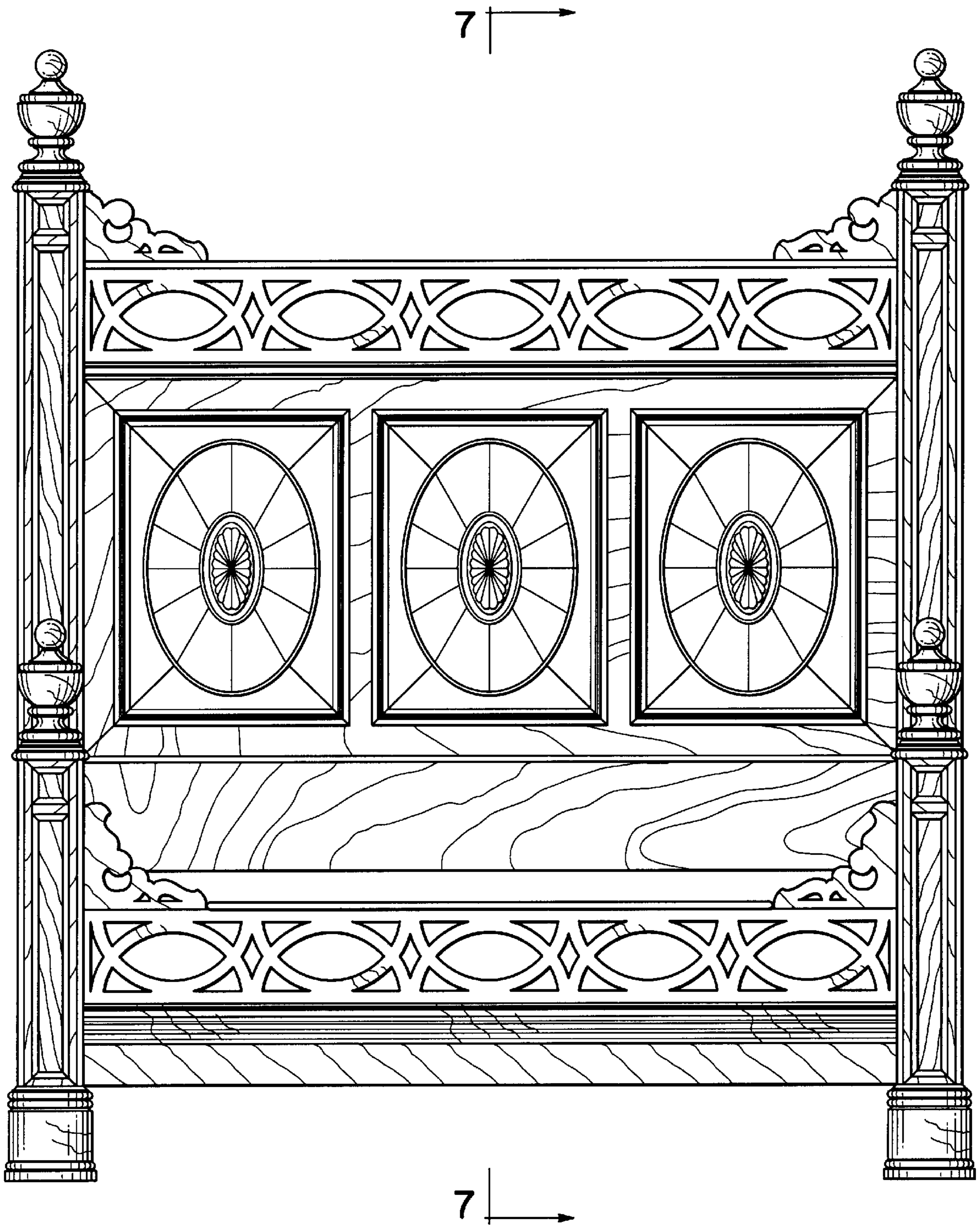


FIG. 1

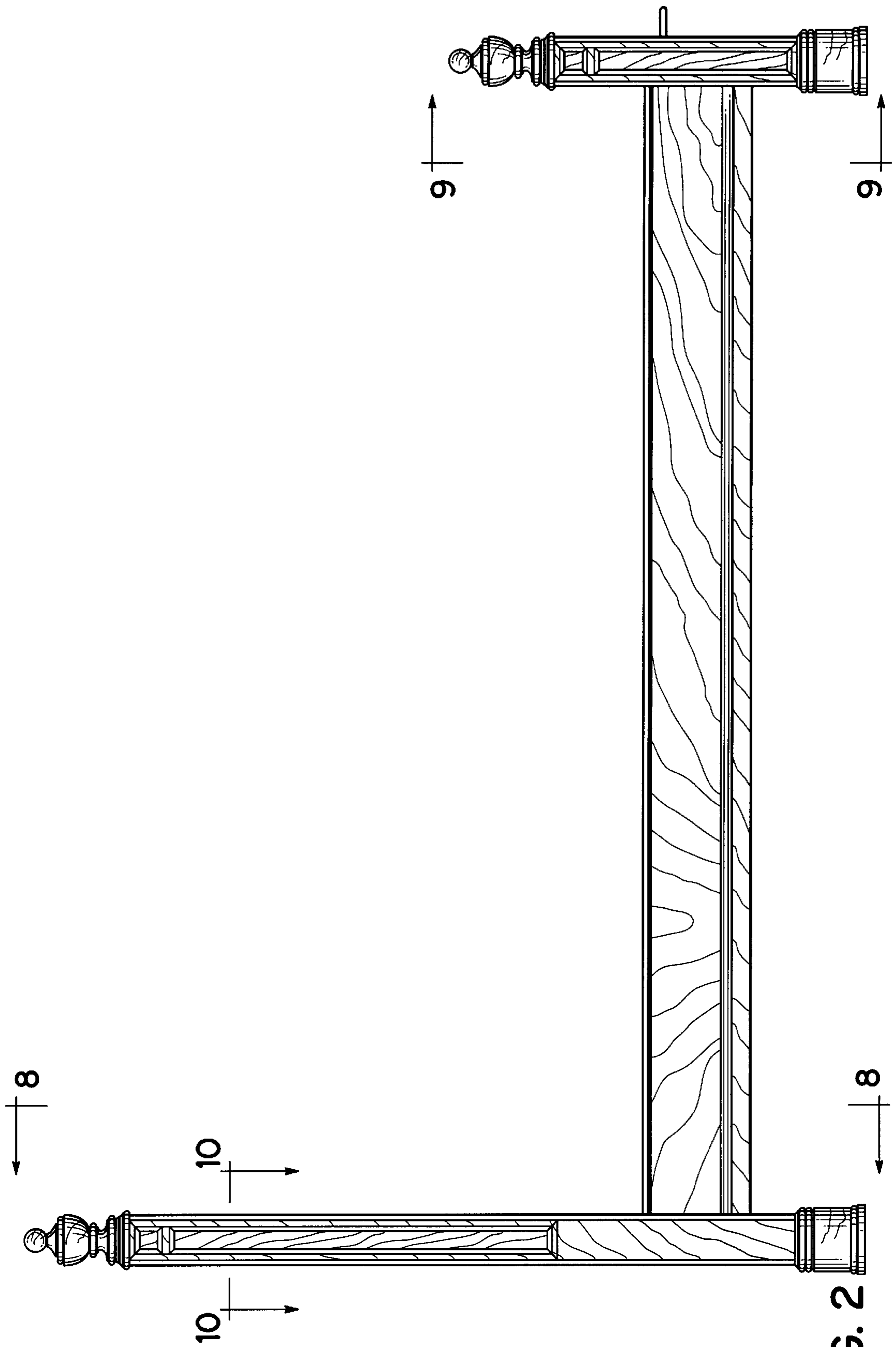


FIG. 2

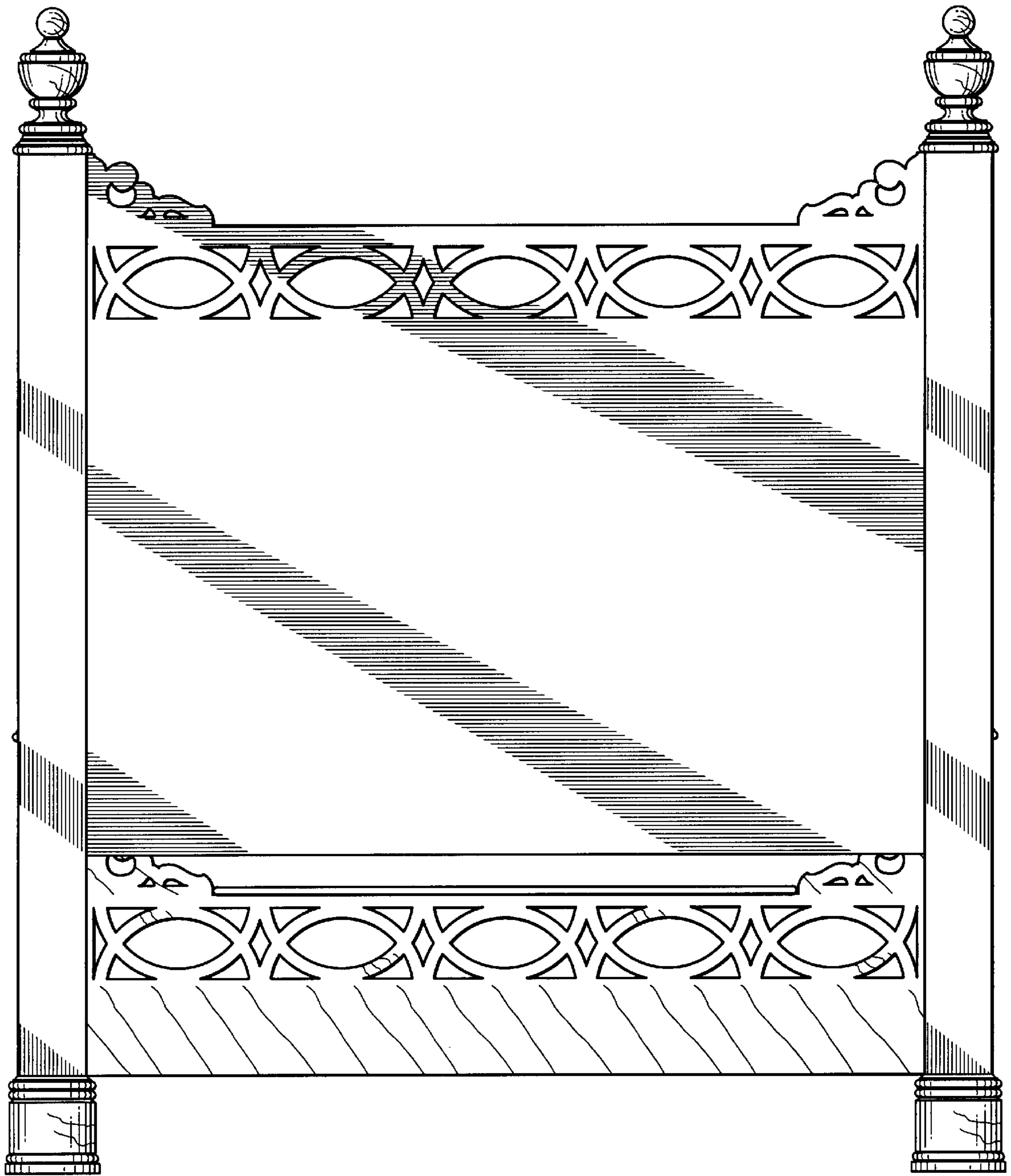


FIG. 3

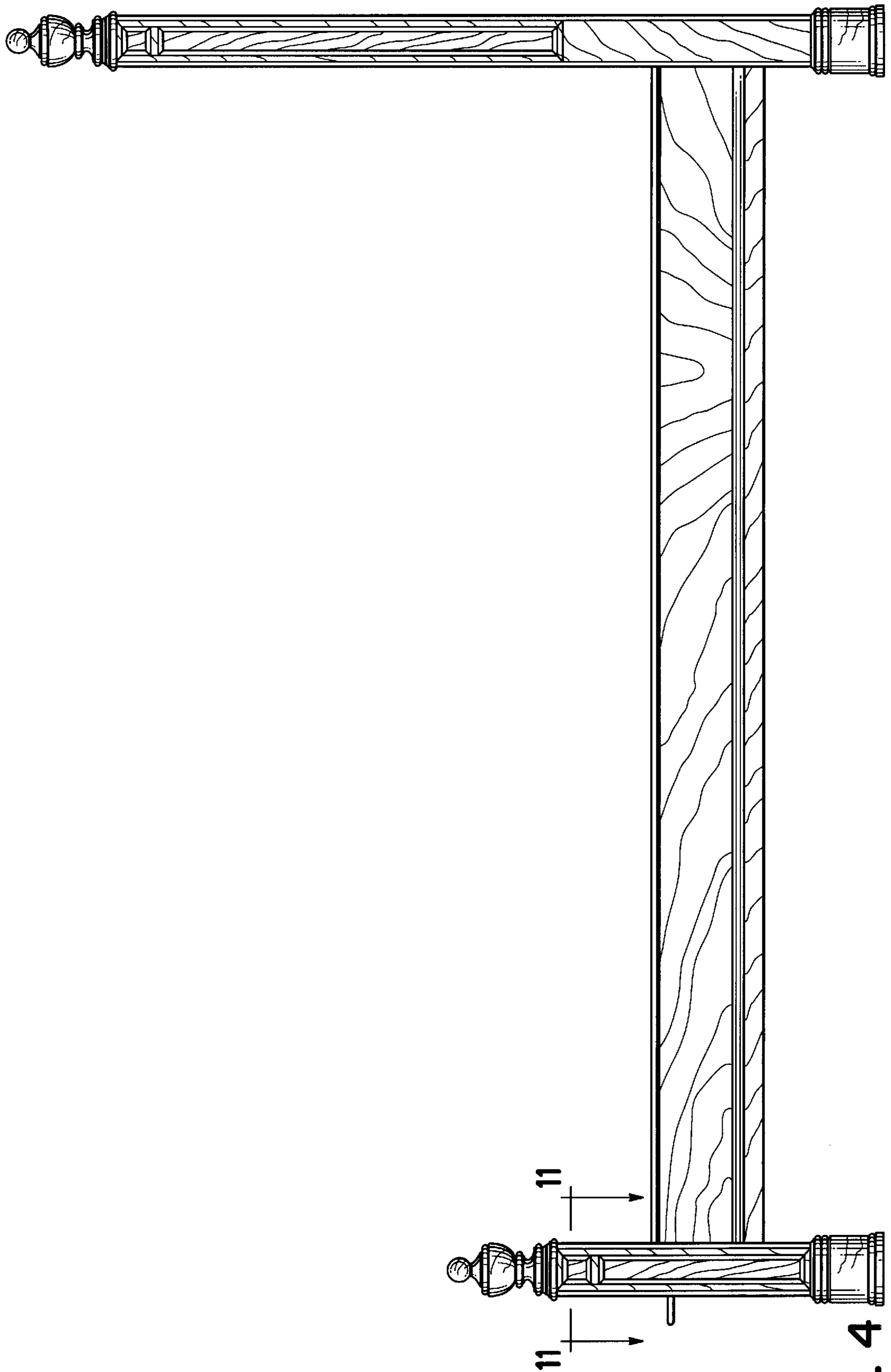


FIG. 4

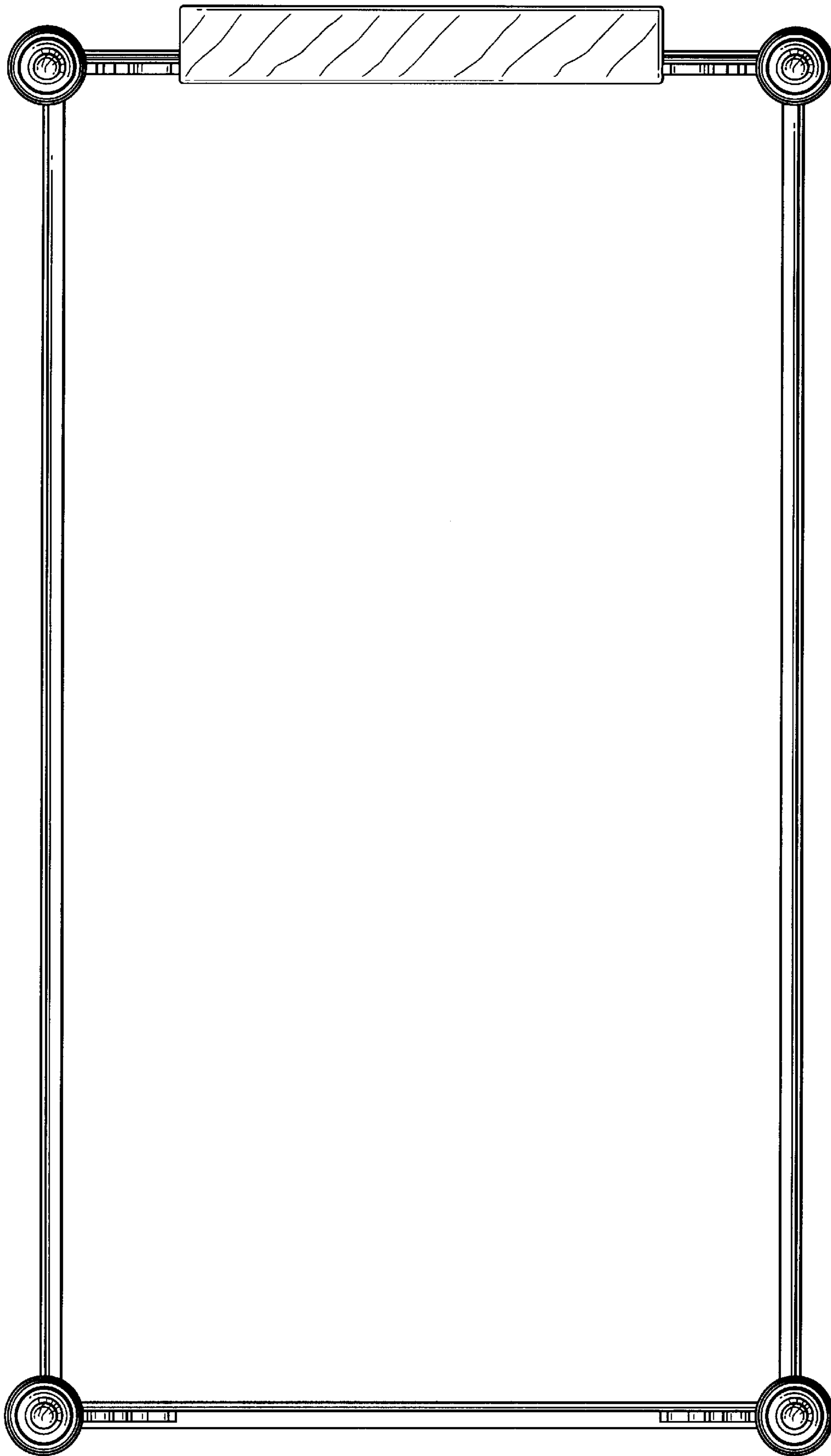


FIG. 5

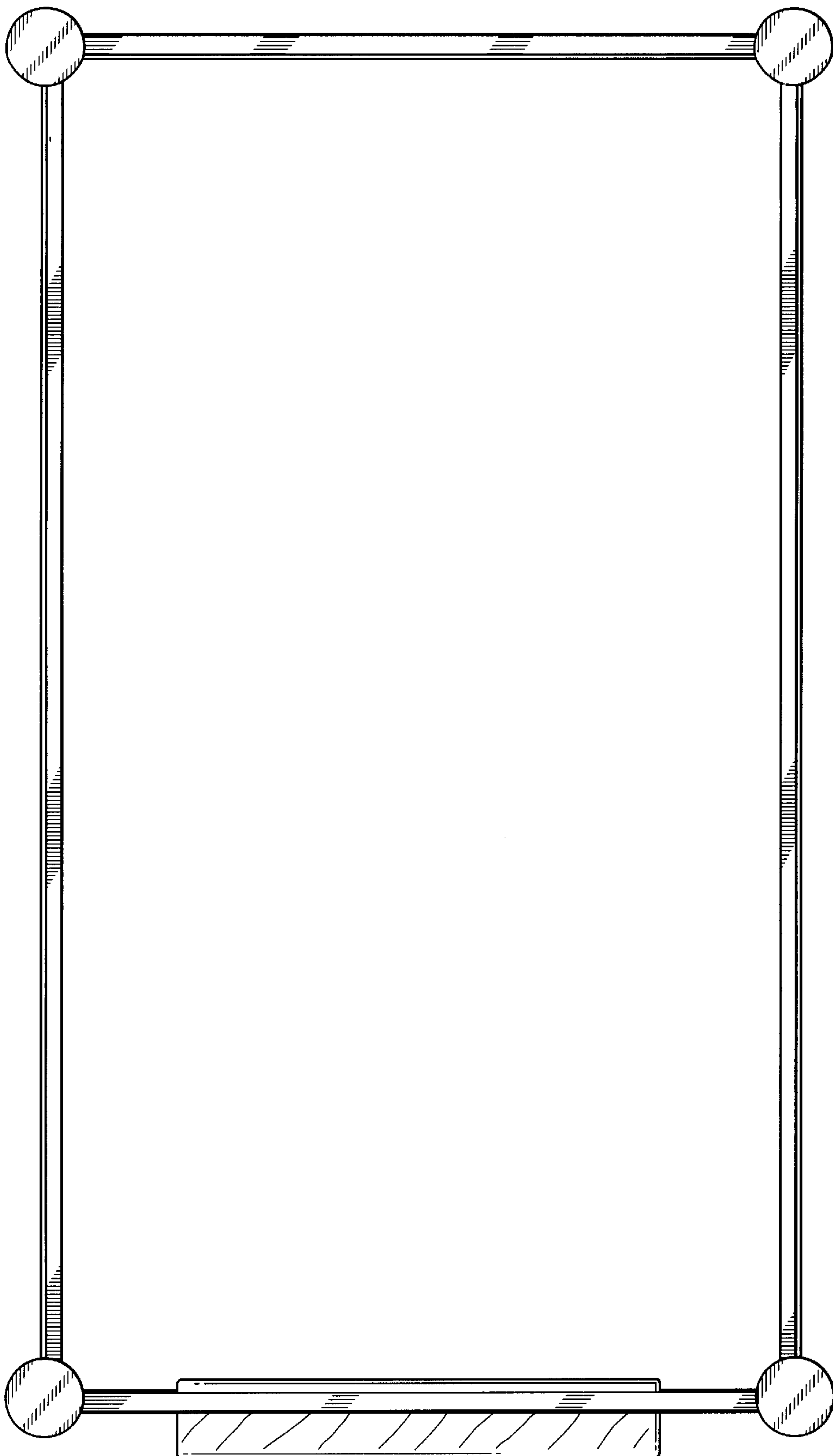


FIG. 6

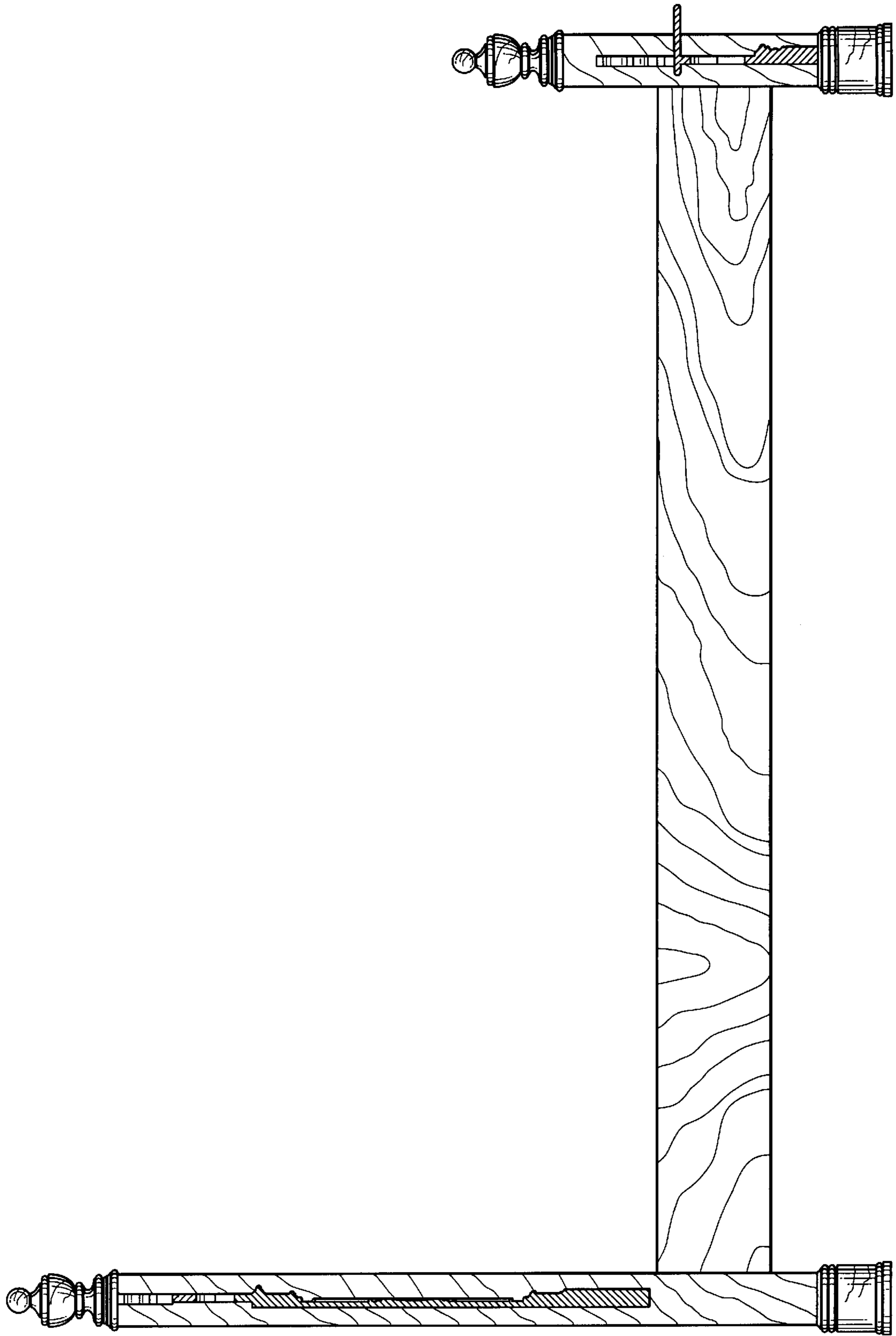


FIG. 7

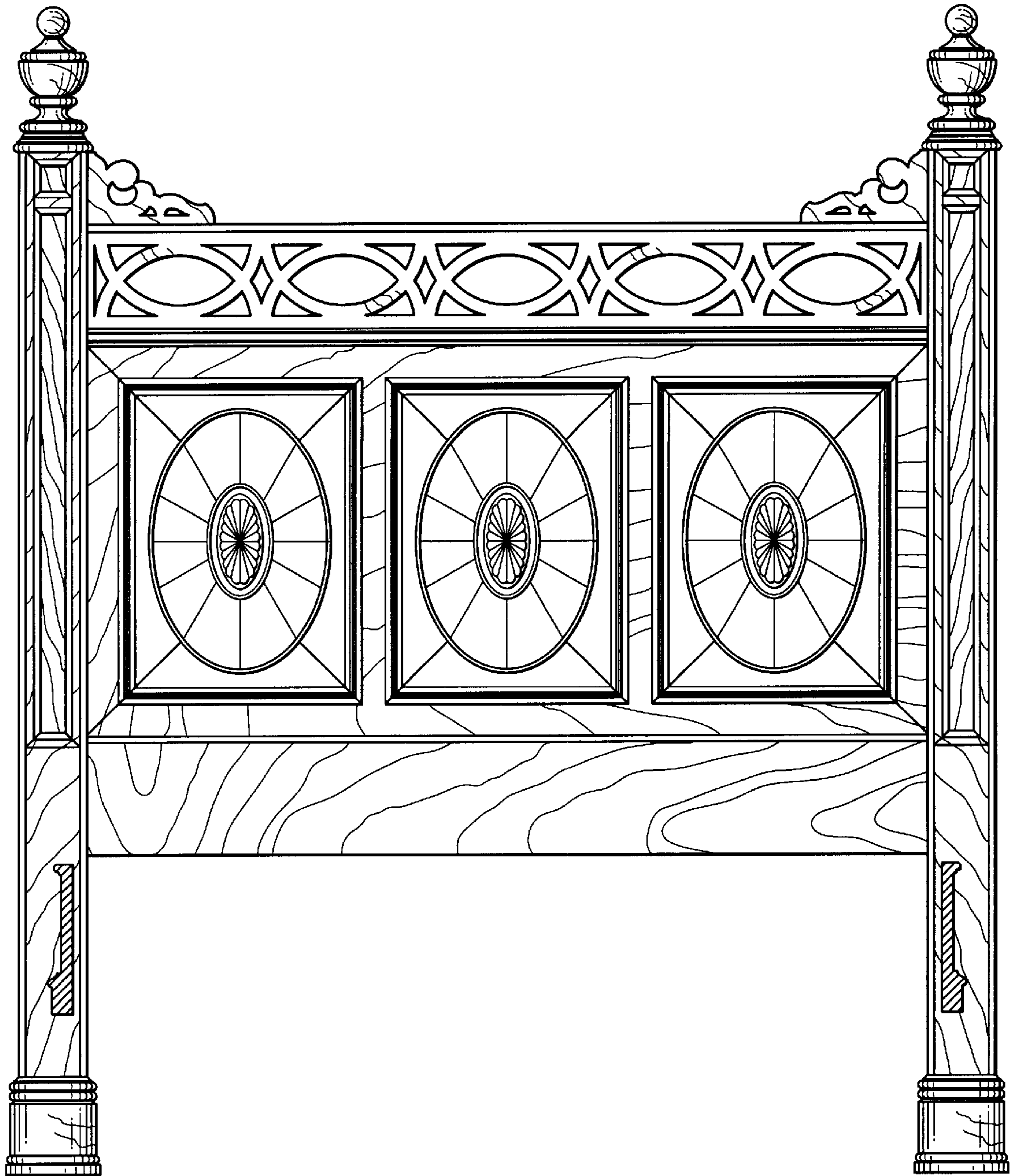


FIG. 8

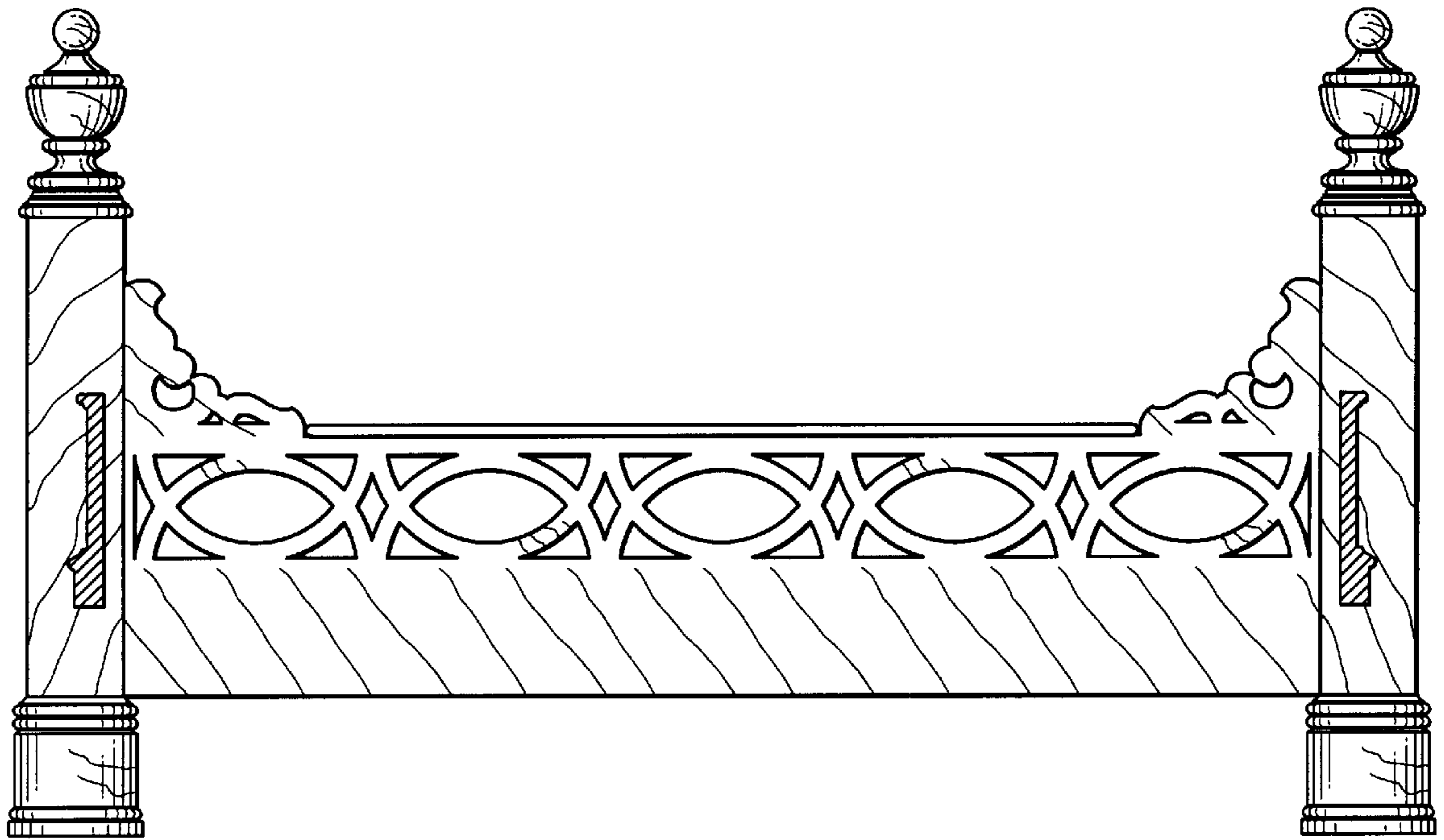


FIG. 9

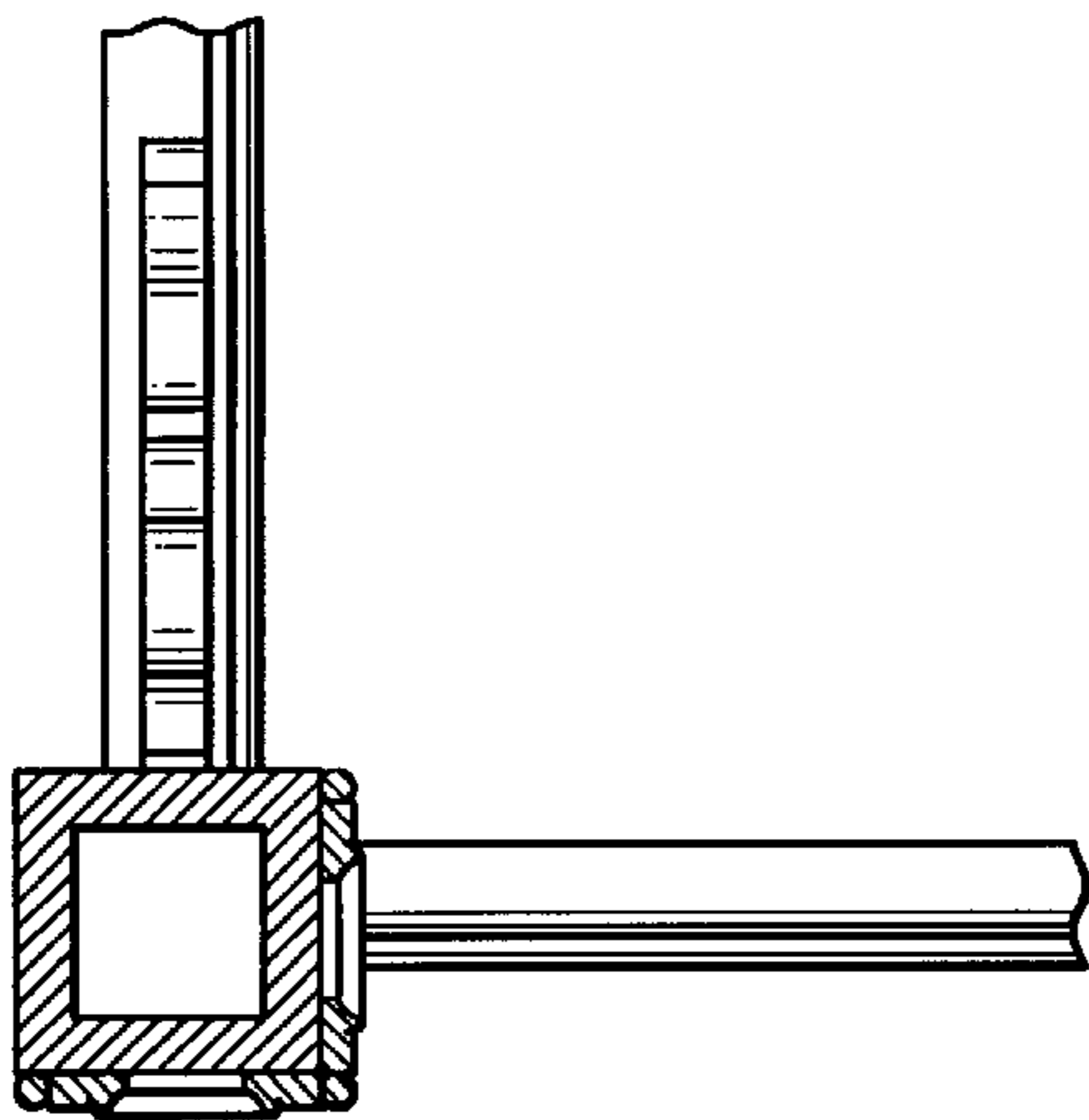


FIG. 10

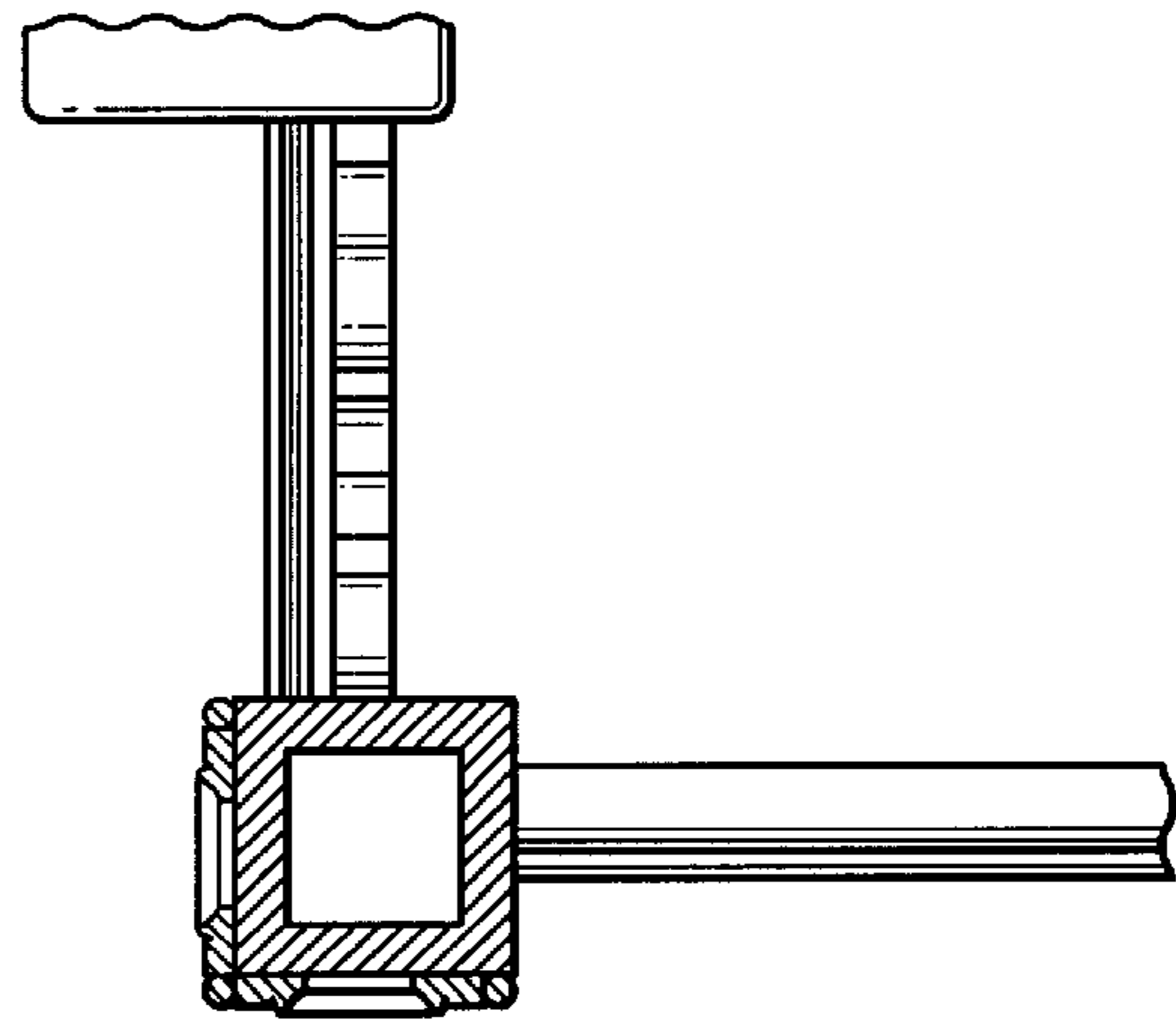


FIG. 11