



US00D463147S

(12) **United States Design Patent**  
**Montalbano**

(10) **Patent No.:** **US D463,147 S**

(45) **Date of Patent:** **\*\* Sep. 24, 2002**

(54) **SEAT ARM**

(75) Inventor: **Charles Montalbano**, Milford, CT (US)

(73) Assignee: **The Lane Company Incorporated**, Altavista, VA (US)

(\*\*) Term: **14 Years**

(21) Appl. No.: **29/150,592**

(22) Filed: **Nov. 14, 2001**

(51) **LOC (7) Cl.** ..... **06-01**

(52) **U.S. Cl.** ..... **D6/369; D6/492**

(58) **Field of Search** ..... D6/334, 335, 336,  
D6/369, 381, 492, 500, 501, 502; 297/451.9,  
452.64

(56) **References Cited**

**U.S. PATENT DOCUMENTS**

D23,008 S	*	1/1894	Dann	.....	D6/369
D29,995 S	*	1/1899	Kinports	.....	D6/369
D79,038 S	*	7/1929	Kirkpatrick	.....	D6/369
D243,571 S	*	3/1977	Wisner	.....	D6/369
D360,993 S	*	8/1995	White	.....	D6/369

**OTHER PUBLICATIONS**

Cancun Living Set, D & F Wicker Rattan Imports catalog, p. 8, Jan. 2001.

\* cited by examiner

*Primary Examiner*—Gary D. Watson

(74) *Attorney, Agent, or Firm*—Womble Carlyle Sandridge & Rice, PLLC

(57) **CLAIM**

The ornamental design for a seat arm, as shown and described.

**DESCRIPTION**

FIG. 1 is a left front perspective view of a seat arm showing my new design;

FIG. 2 is a side elevational view;

FIG. 3 is a rear perspective view thereof;

FIG. 4 is an inside perspective view of the left arm;

FIG. 5 is a front elevational view thereof;

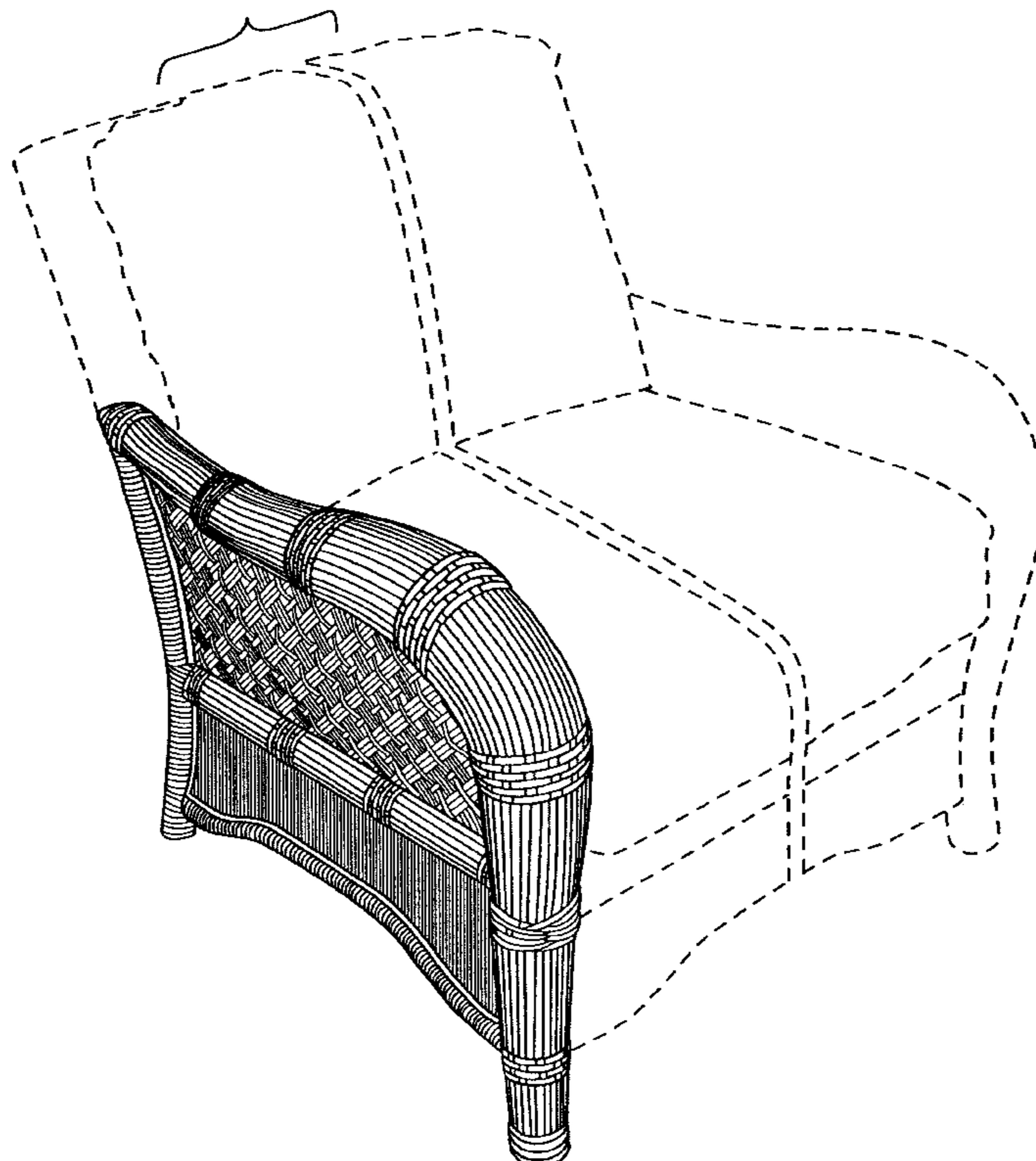
FIG. 6 is a rear elevational view thereof; and,

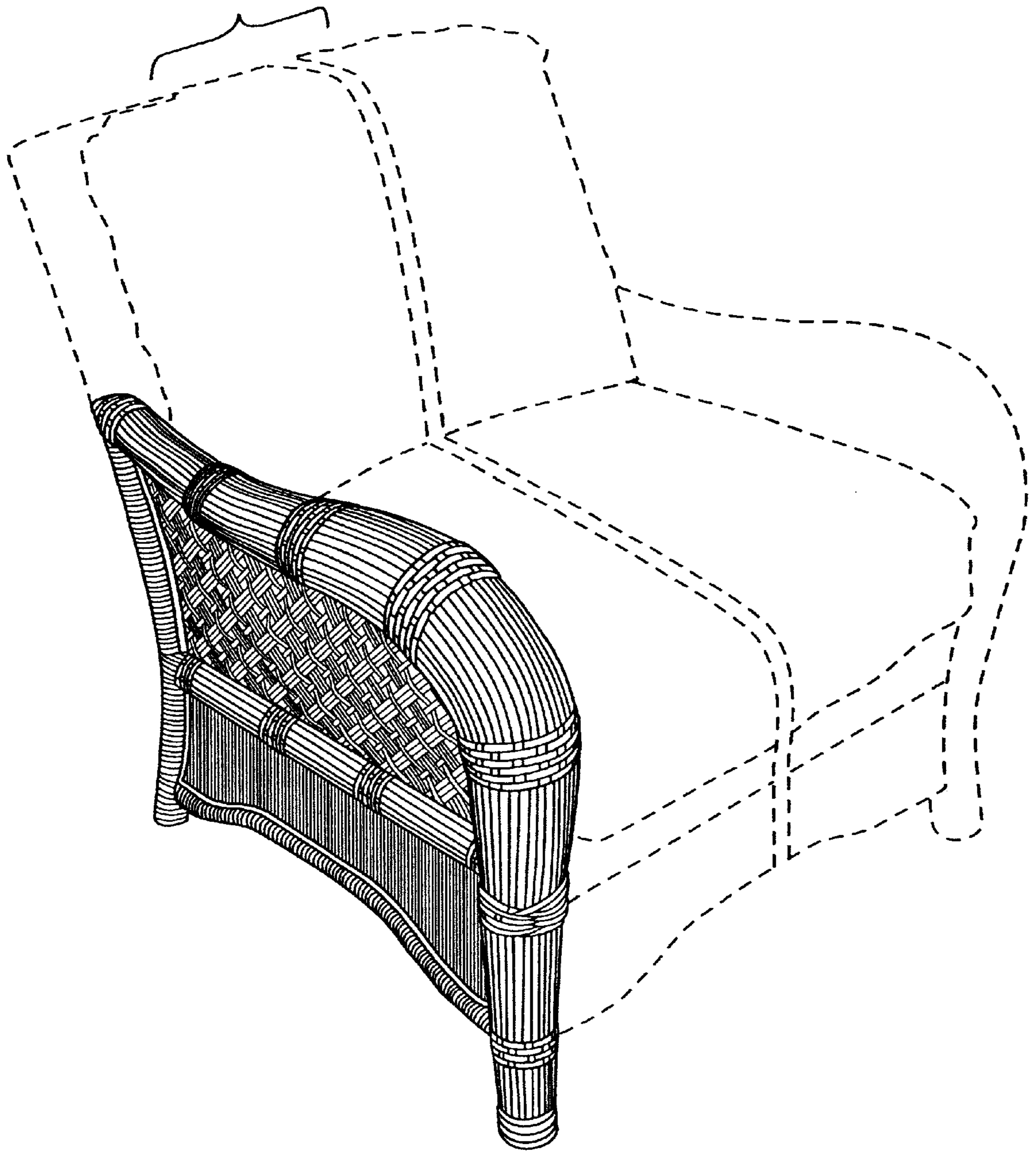
FIG. 7 is a top view thereof.

The bottom view of the seat arm is not shown and forms no part of the claimed design.

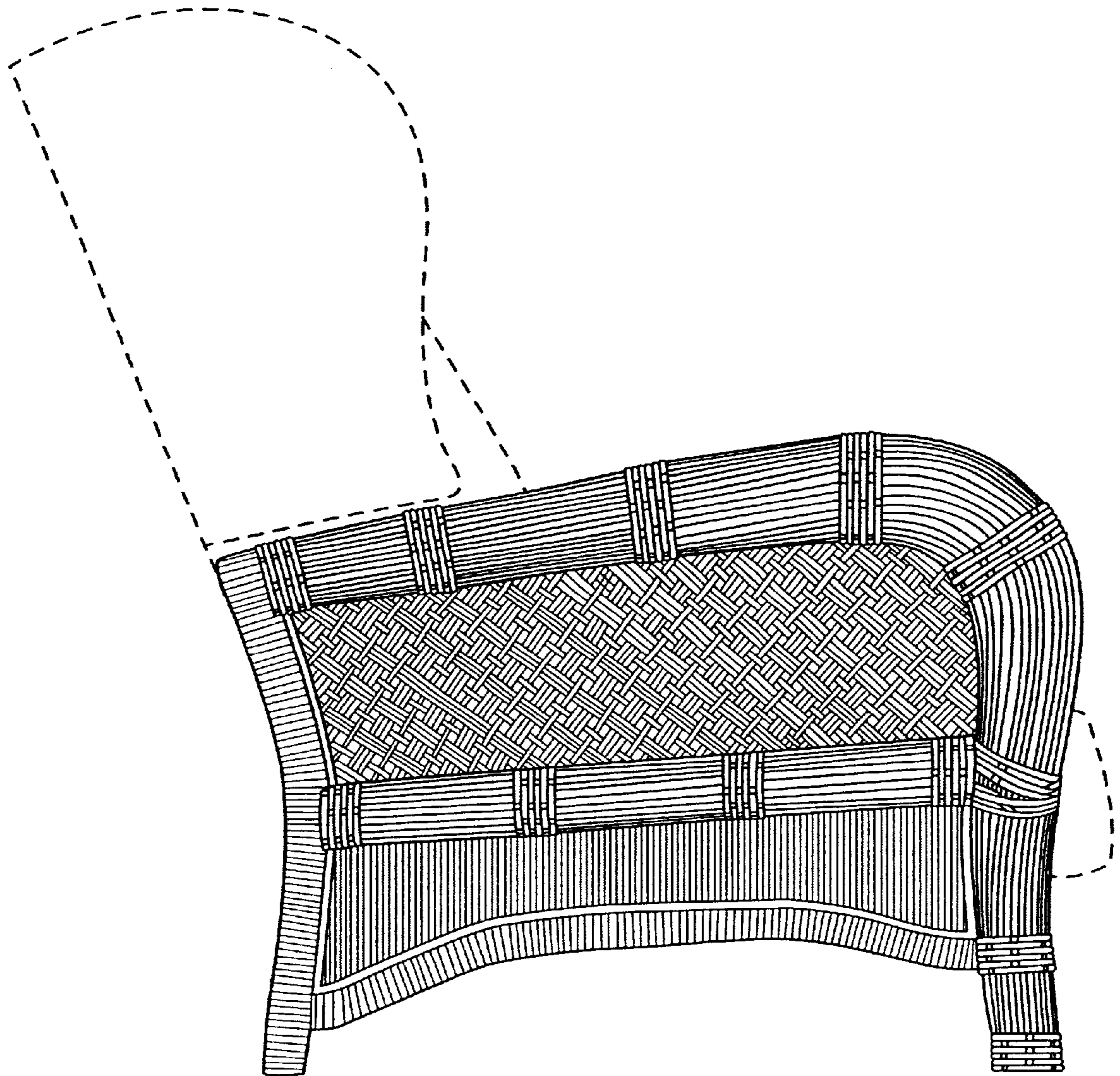
The broken lines shown in the drawings represent a variety of environments, environments of varying lengths, or portions thereof and form no part of the claimed design.

**1 Claim, 7 Drawing Sheets**

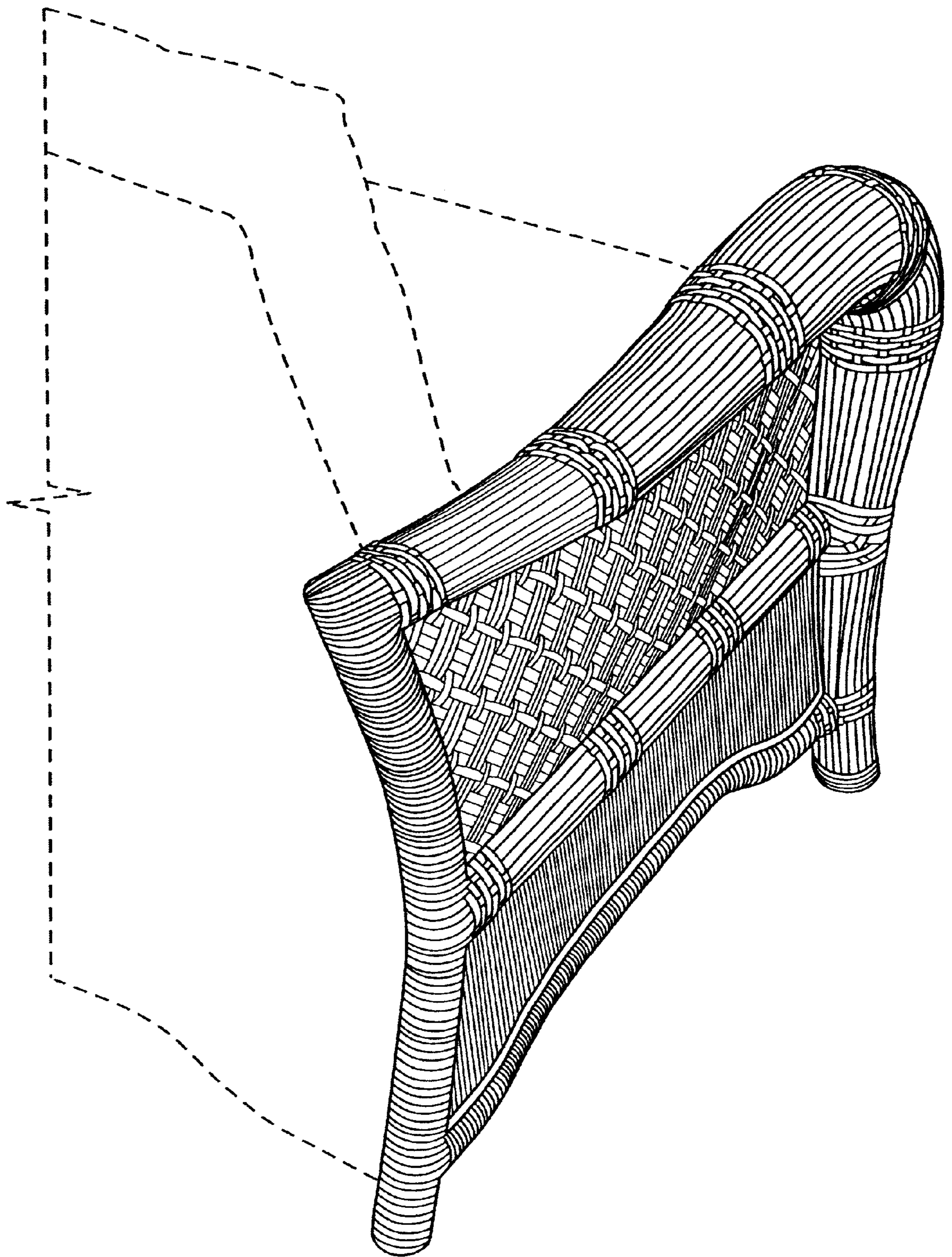




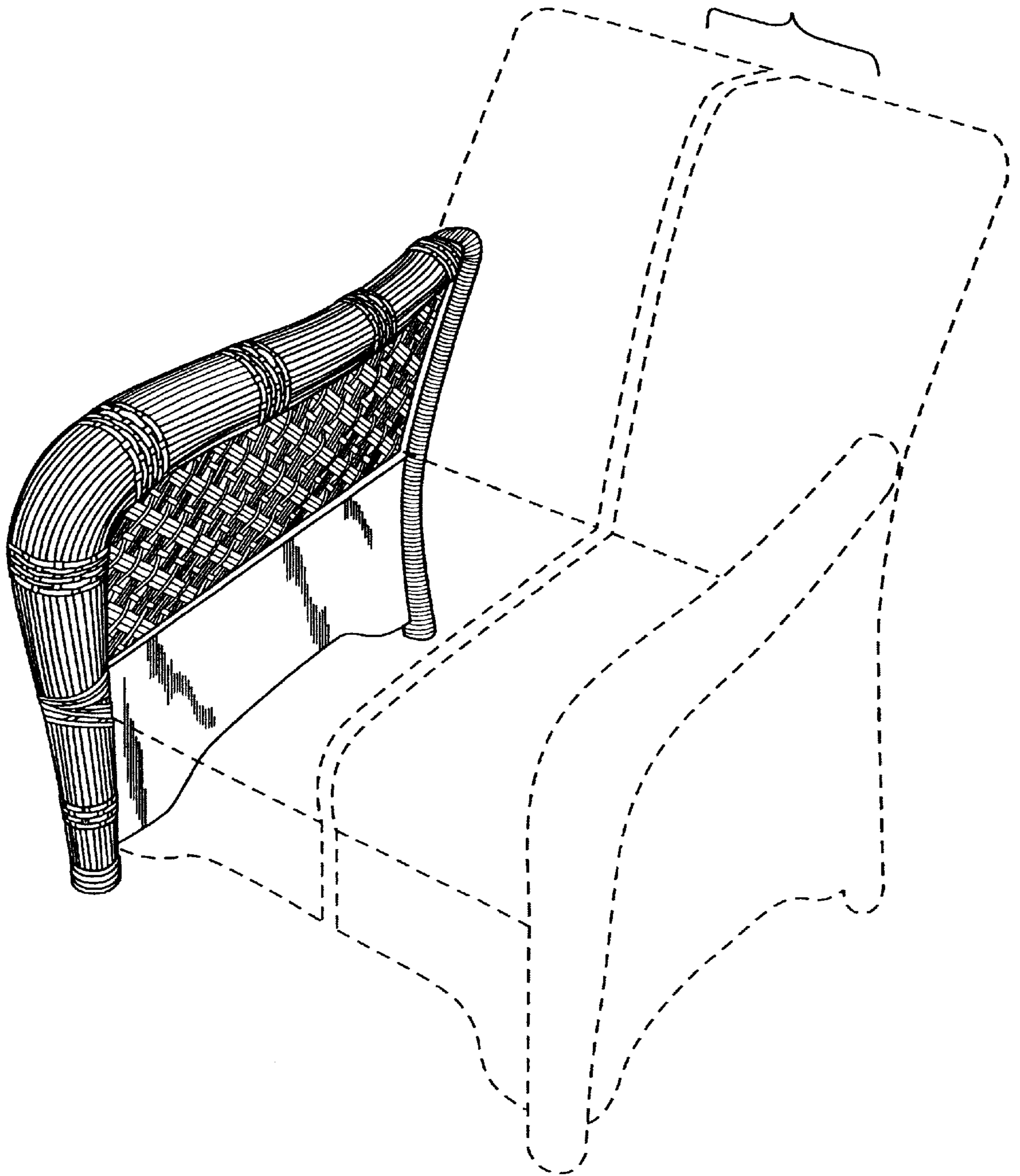
**FIG. 1**



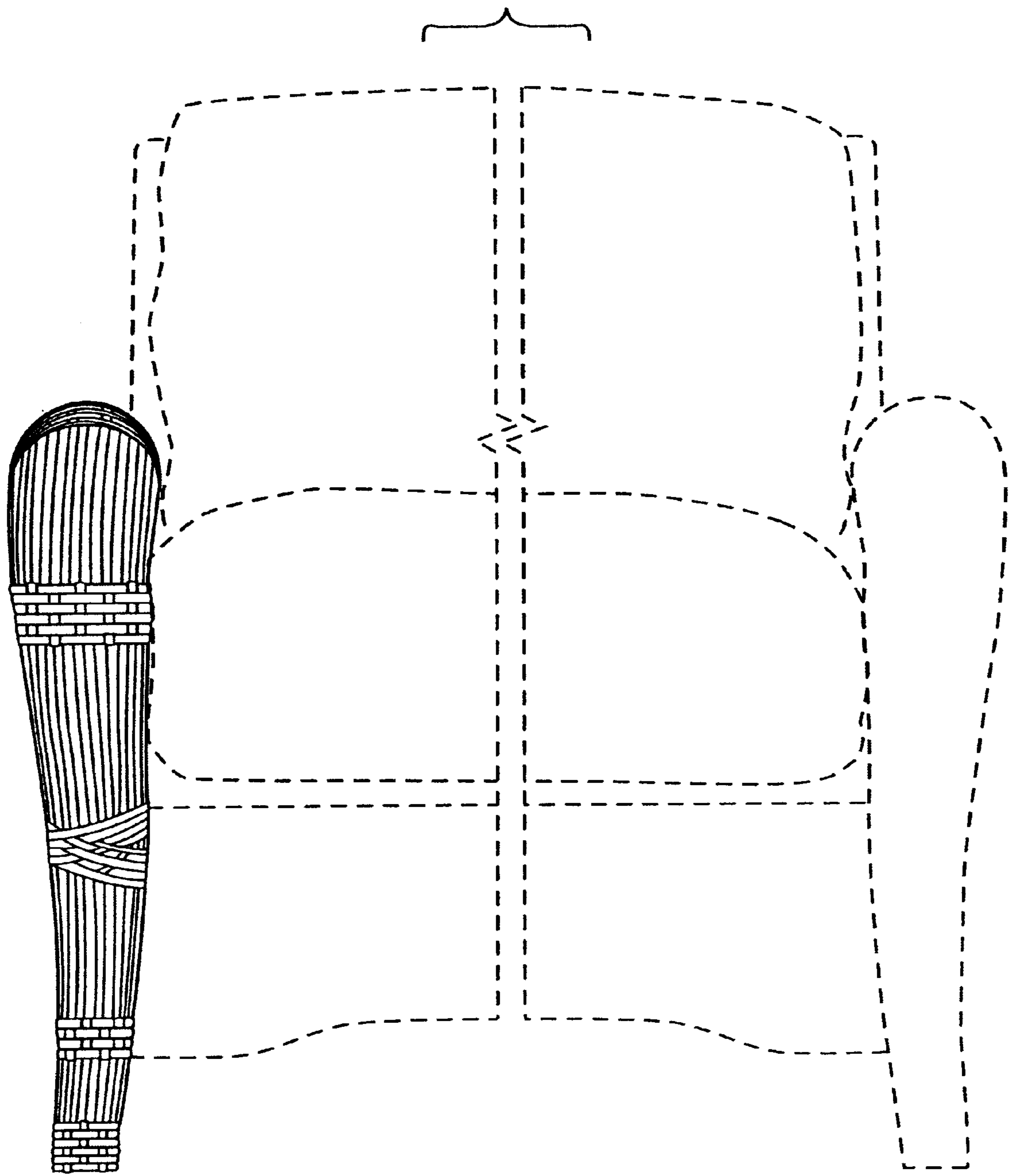
**FIG. 2**



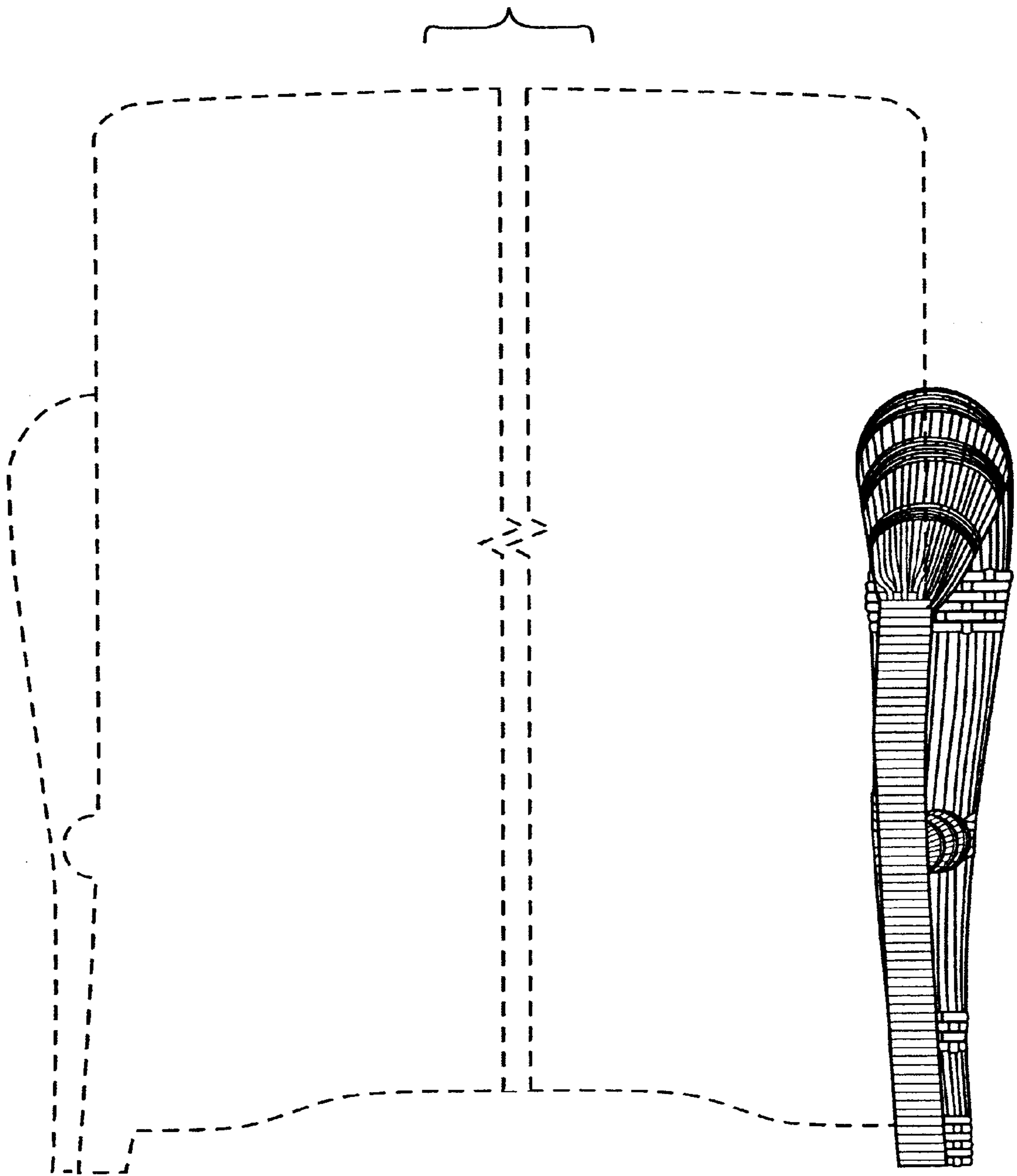
**FIG. 3**



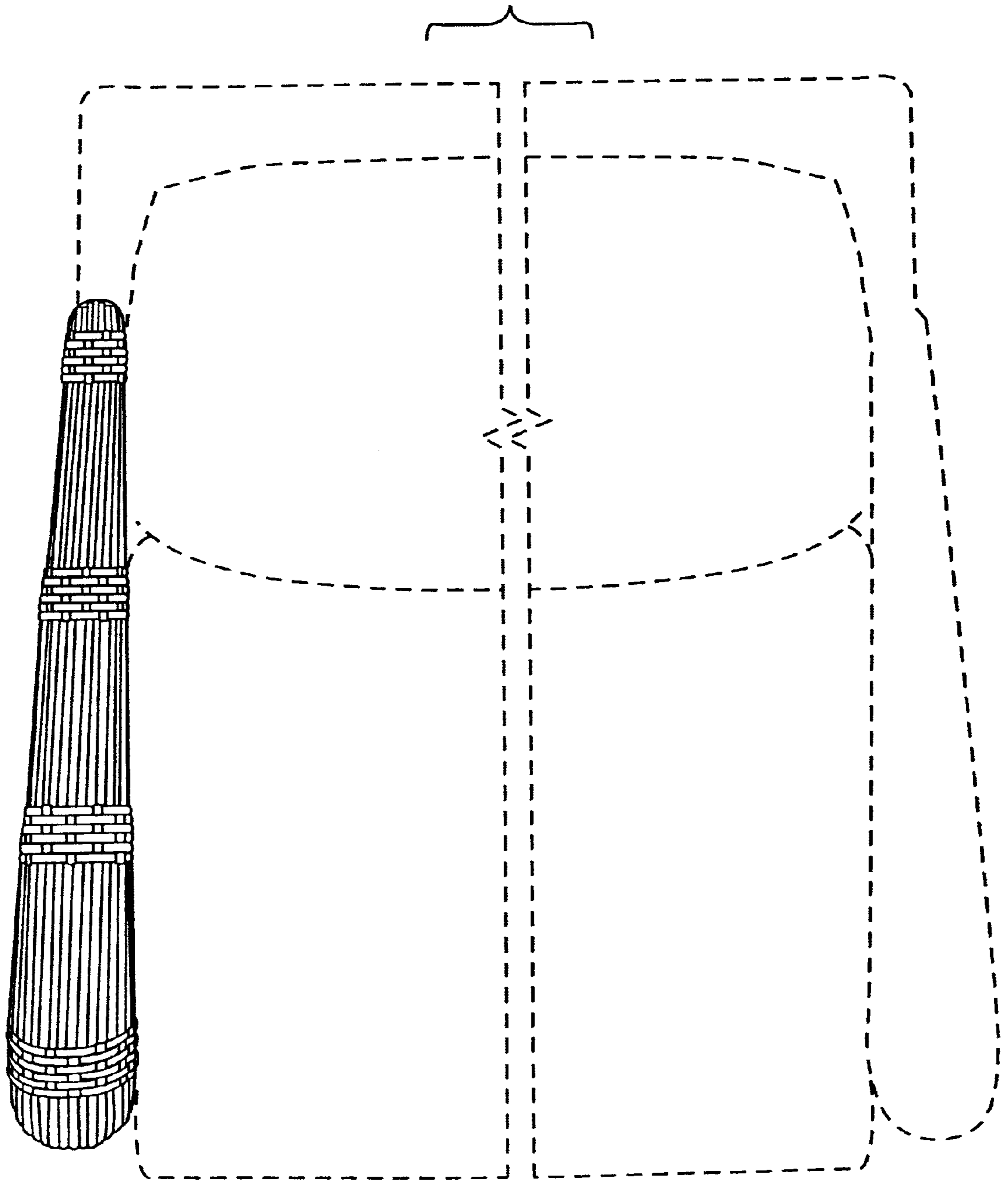
**FIG. 4**



**FIG. 5**



**FIG. 6**



**FIG. 7**