

US00D463145S

(12) **United States Design Patent**
Gasca Burges

(10) **Patent No.:** **US D463,145 S**

(45) **Date of Patent:** **** Sep. 24, 2002**

(54) **SEAT**

(76) **Inventor:** **Jesus Gasca Burges**, Poligono
26.-20115 Astigarraga, (Guipúzcoa)
(ES)

(**) **Term:** **14 Years**

(21) **Appl. No.:** **29/152,657**

(22) **Filed:** **Dec. 21, 2001**

(51) **LOC (7) Cl.** **06-01**

(52) **U.S. Cl.** **D6/366**

(58) **Field of Search** D6/334, 364, 365,
D6/366, 367, 500, 501, 502; 297/411.2,
411.28

(56) **References Cited**

U.S. PATENT DOCUMENTS

D234,383 S * 2/1975 Tacke D6/366
D241,389 S * 9/1976 Ball D6/366
D250,374 S * 11/1978 Prizlow et al. D6/366

D259,000 S * 4/1981 Vogtherr D6/366
D306,939 S * 4/1990 Fink D6/366
D331,154 S * 11/1992 Sheridan D6/366

* cited by examiner

Primary Examiner—Gary D. Watson

(74) *Attorney, Agent, or Firm*—Bierman, Muserlian and Lucas

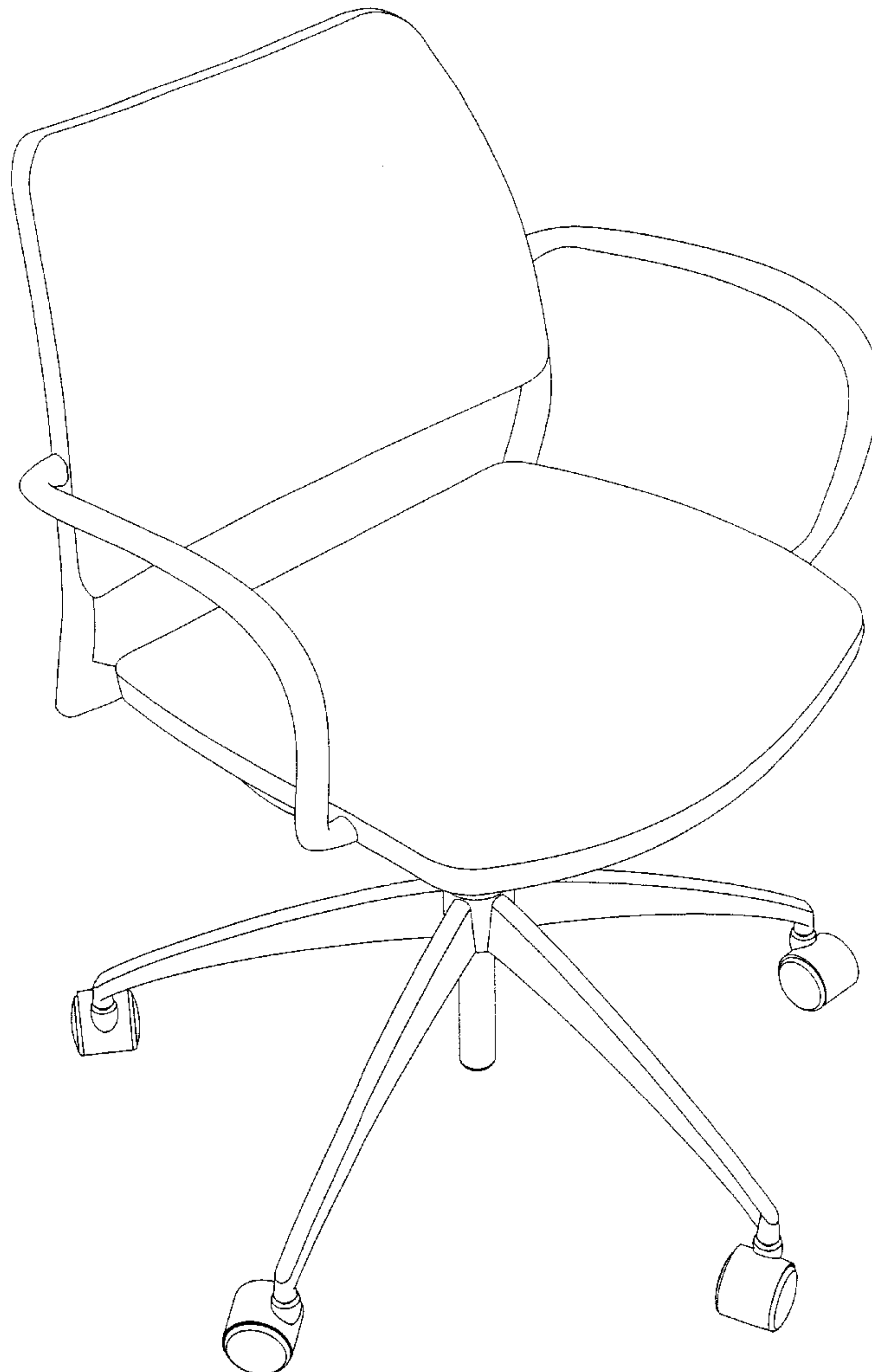
(57) **CLAIM**

The ornamental design for a seat, substantially as shown and described.

DESCRIPTION

FIG. 1 is a front view of my seat design;
FIG. 2 is a back view of my seat design;
FIG. 3 is a right-side view of my seat design;
FIG. 4 is a left-side view of my seat design;
FIG. 5 is a top view of my seat design;
FIG. 6 is a bottom view of my seat design; and,
FIG. 7 is a perspective view of my seat design.

1 Claim, 7 Drawing Sheets



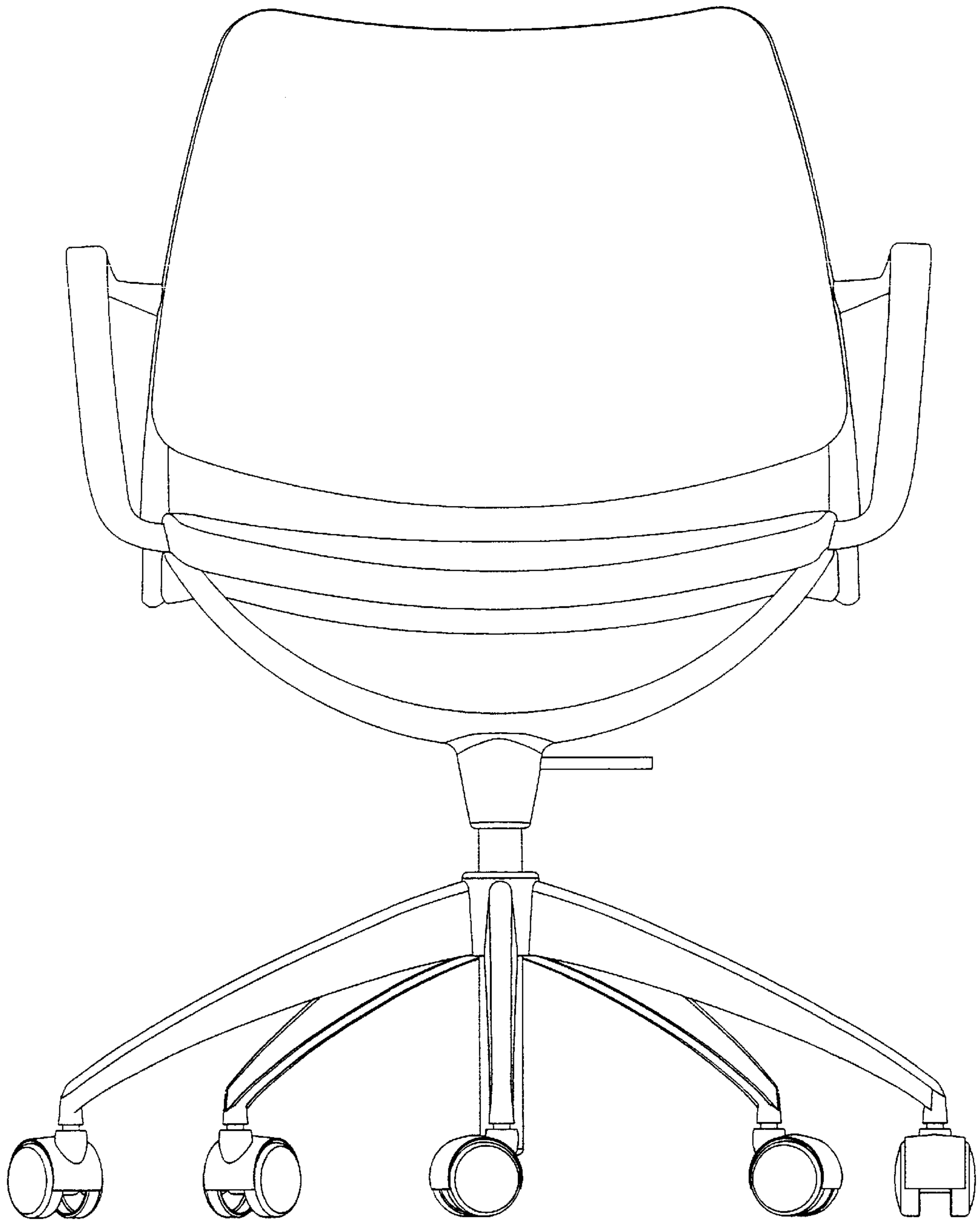


Fig. 1

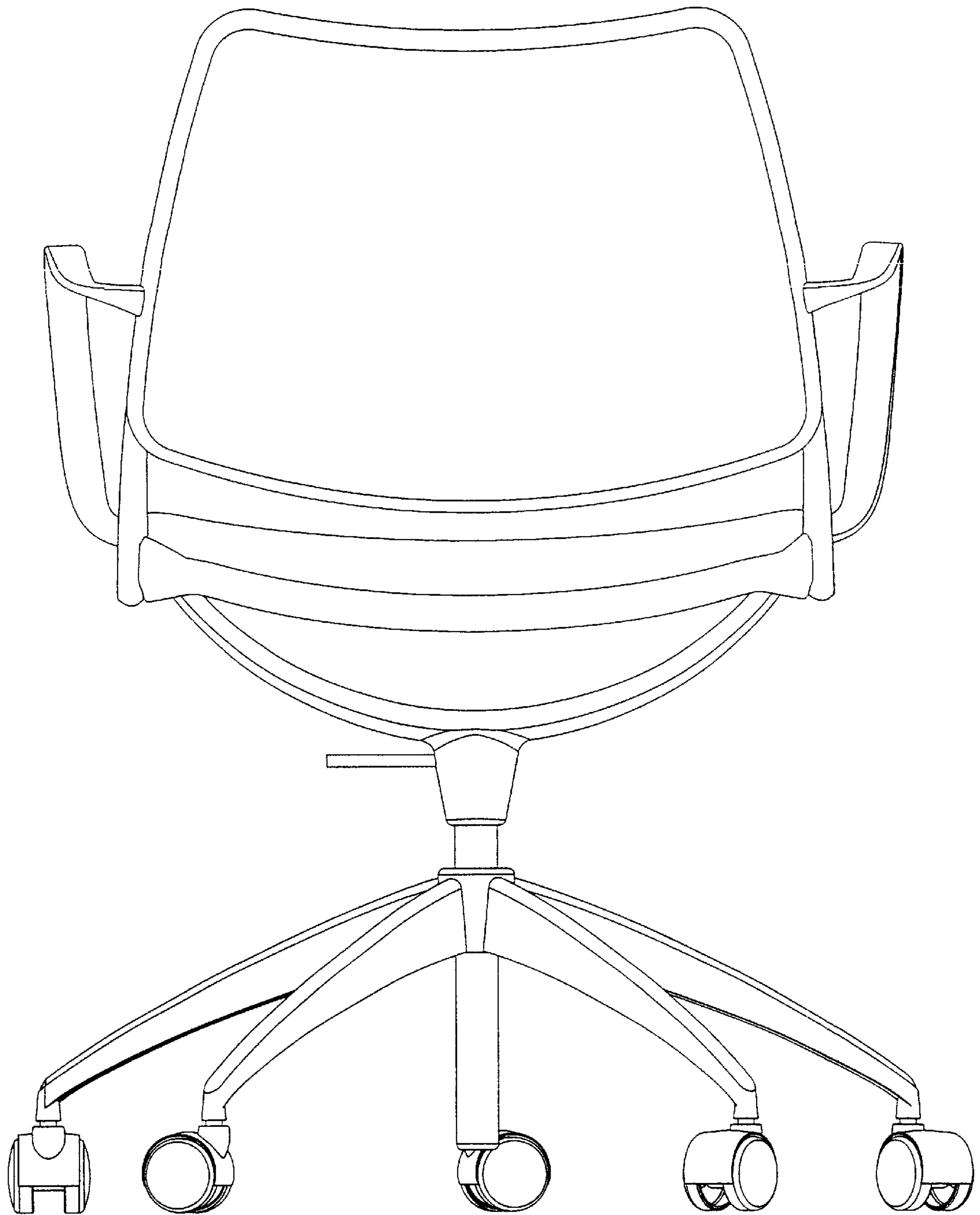


Fig. 2

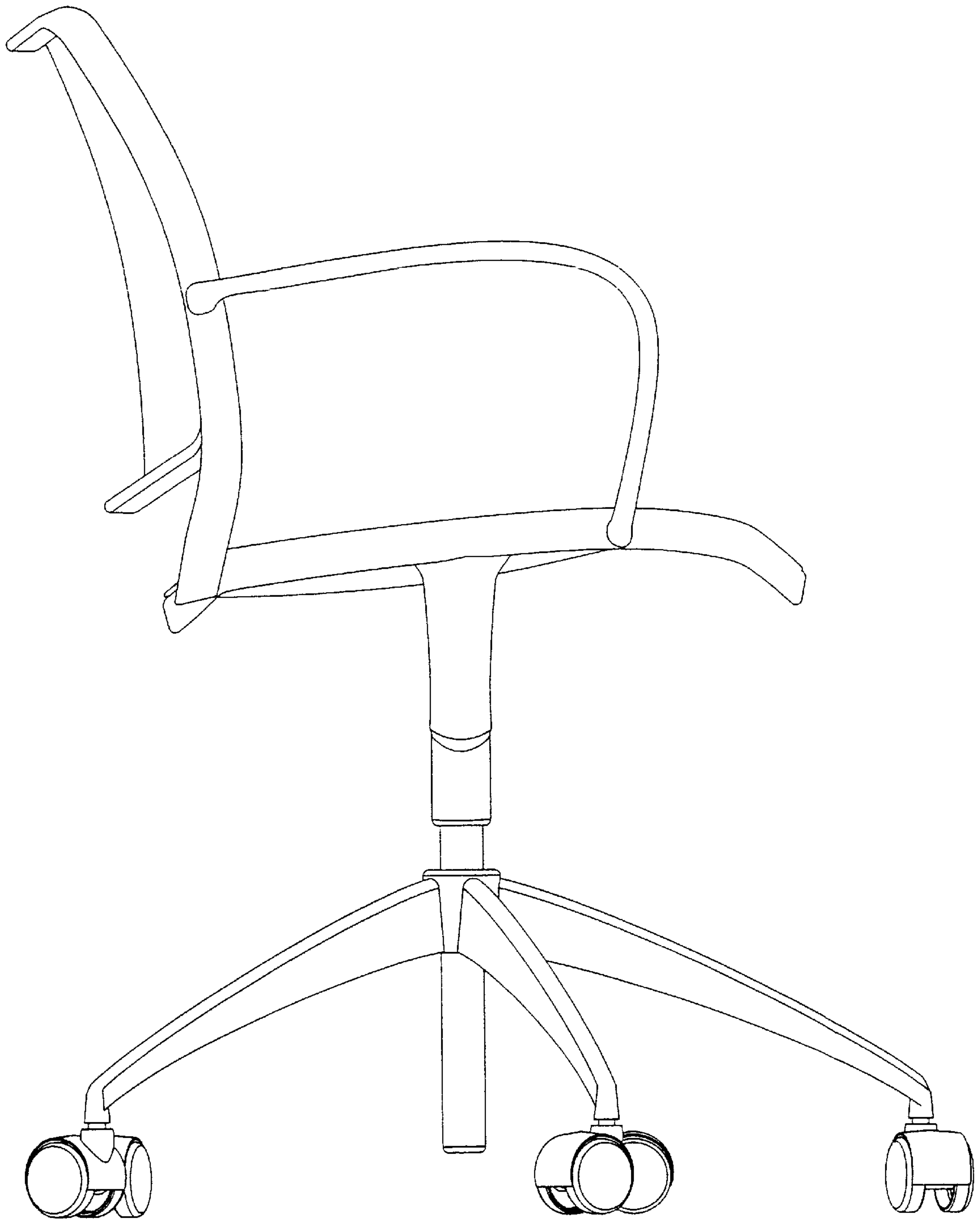


Fig. 3

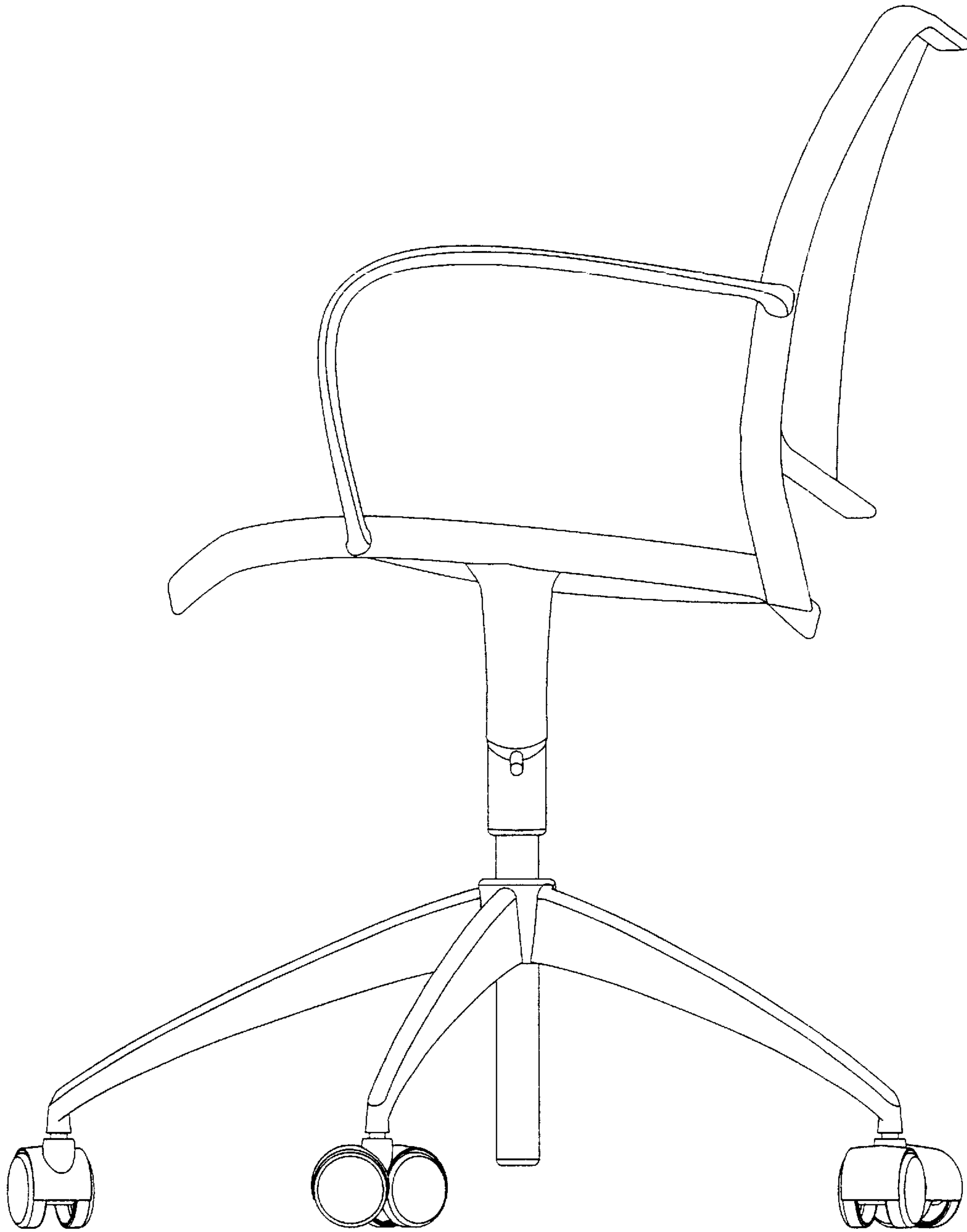


Fig. 4

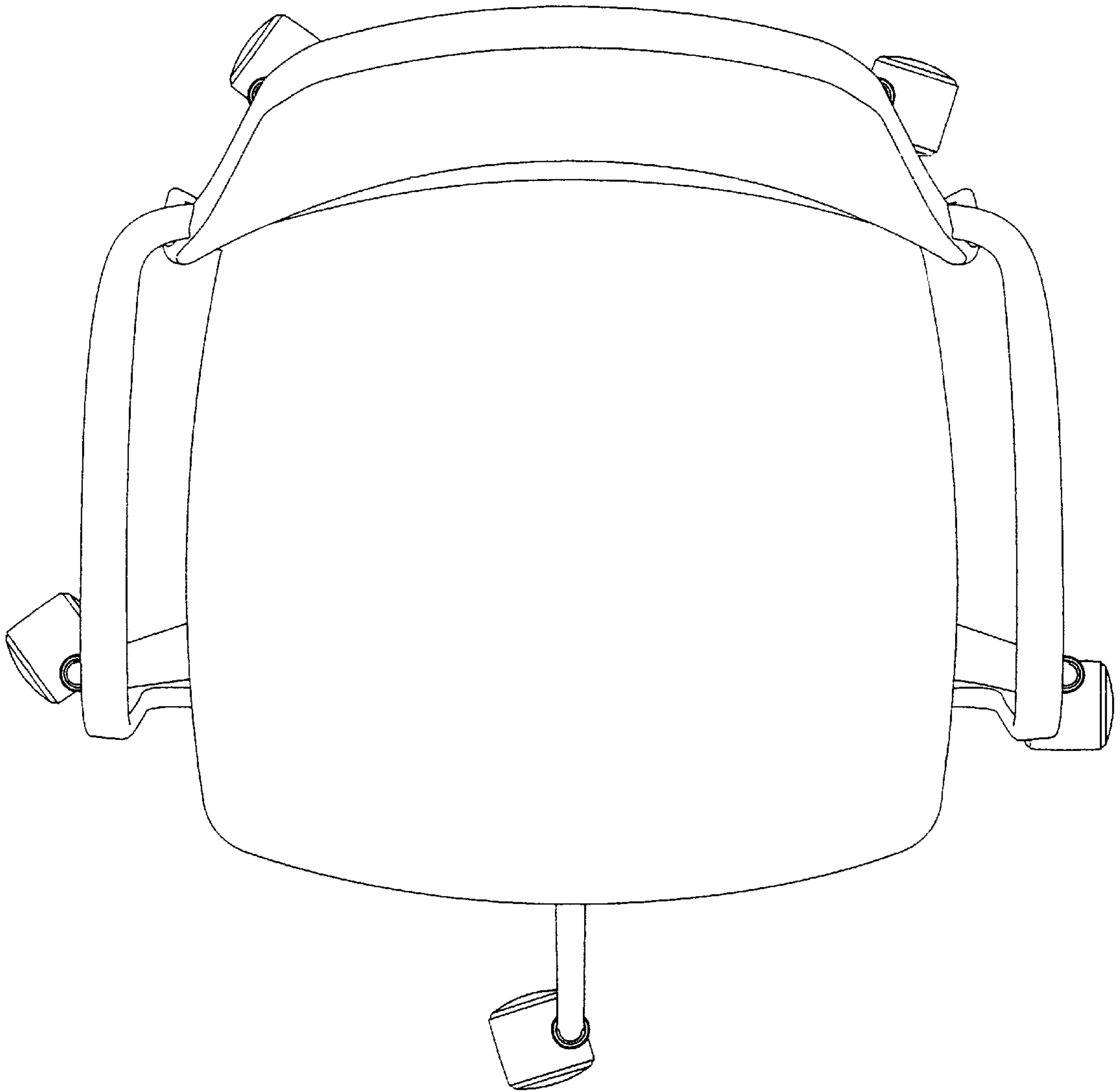


Fig. 5

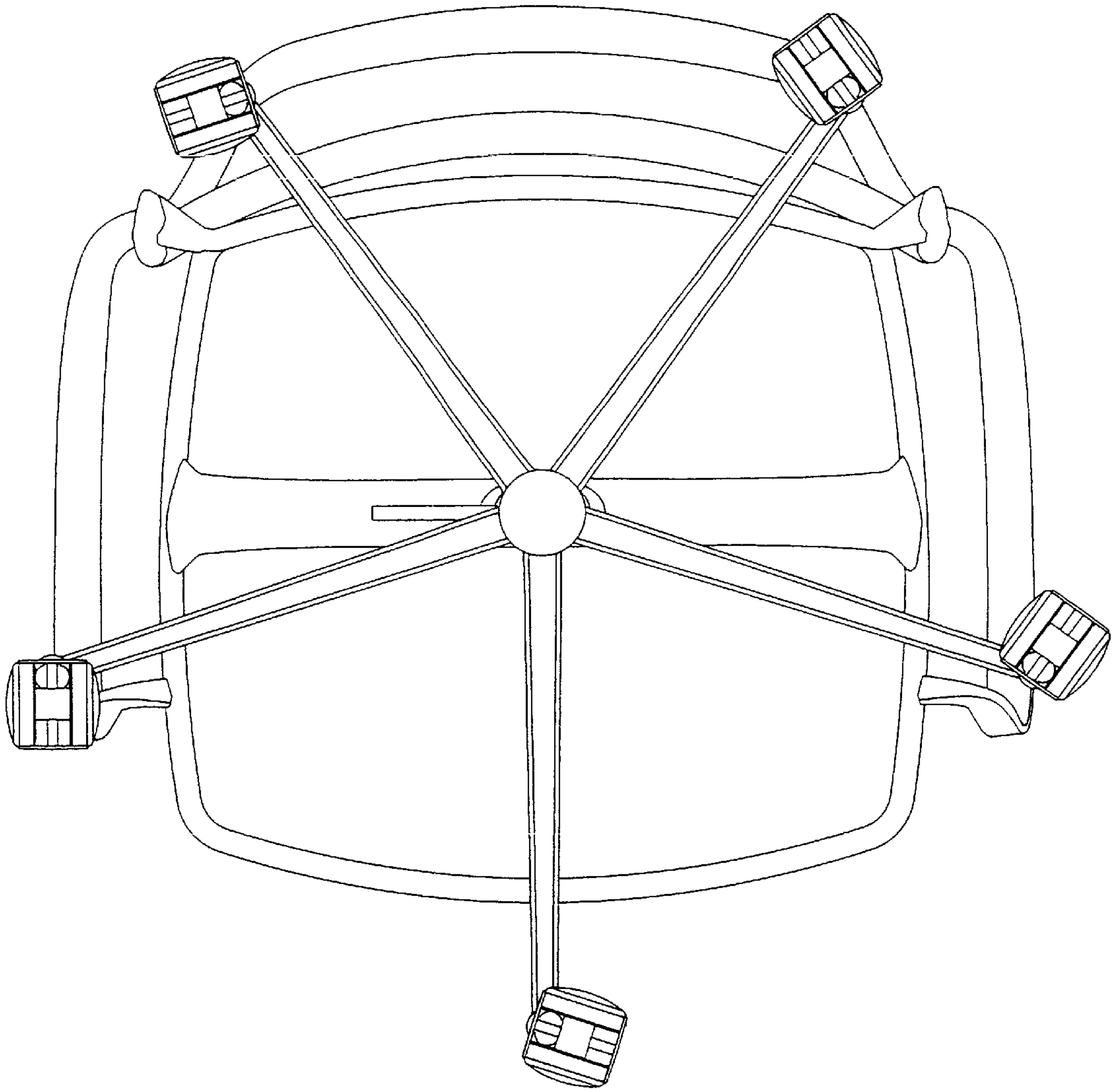


Fig. 6



Fig. 7