



US00D463144S

(12) **United States Design Patent**
Pennington et al.

(10) **Patent No.: US D463,144 S**

(45) **Date of Patent: ** Sep. 24, 2002**

(54) **CHAIR**

D273,728 S * 5/1984 Cafiero D6/366
4,479,679 A 10/1984 Fries et al.
4,498,702 A 2/1985 Raftery

(75) Inventors: **Mark Rundle Pennington**, Wellington (NZ); **Jon Leonard Fifield**, Wellington (NZ); **Kent Wallace Parker**, Wellington (NZ)

(List continued on next page.)

FOREIGN PATENT DOCUMENTS

(73) Assignee: **Formway Furniture Limited**, Wellington (NZ)

DE 197 16 347 A1 10/1998
EP 0 032 839 B1 7/1981
EP 0 164 266 A2 12/1985
EP 0 164 267 A2 12/1985
EP 0 216 578 A2 4/1987
EP 0 247 311 B1 12/1987
EP 0 249 584 B1 12/1987
EP 0 277 474 B2 8/1988
EP 0 338 050 B1 10/1989
EP 0 499 594 A1 8/1992
EP 0 539 733 B1 5/1993
EP 0 561 518 A1 9/1993
EP 0 592 369 B1 4/1994
EP 0 638 265 B1 2/1995
EP 0 645 974 B1 4/1995

(**) Term: **14 Years**

(21) Appl. No.: **29/143,322**

(22) Filed: **Jun. 12, 2001**

Related U.S. Application Data

(63) Continuation-in-part of application No. 29/130,410, filed on Sep. 28, 2000, now Pat. No. Des. 446,397.

(30) **Foreign Application Priority Data**

Apr. 26, 2001 (NZ) 401711

(51) **LOC (7) Cl.** **06-01**

(52) **U.S. Cl.** **D6/366**

(58) **Field of Search** D6/334, 364, 365, D6/366, 367, 500, 501, 502; 297/411.2

(56) **References Cited**

U.S. PATENT DOCUMENTS

2,612,211 A 9/1952 Gielow et al.
2,760,556 A 8/1956 Henrikson et al.
2,796,918 A 6/1957 Luckhardt
3,620,568 A 11/1971 Morrow
3,712,666 A 1/1973 Stoll
D233,638 S * 11/1974 Offredi D6/366
4,043,592 A 8/1977 Fries
4,143,910 A 3/1979 Geffers et al.
4,380,352 A 4/1983 Diffrient
4,390,206 A 6/1983 Faiks et al.
4,408,797 A 10/1983 Franck et al.
4,429,917 A 2/1984 Diffrient

(List continued on next page.)

Primary Examiner—Gary D. Watson

(74) *Attorney, Agent, or Firm*—Workman, Nydegger & Seeley

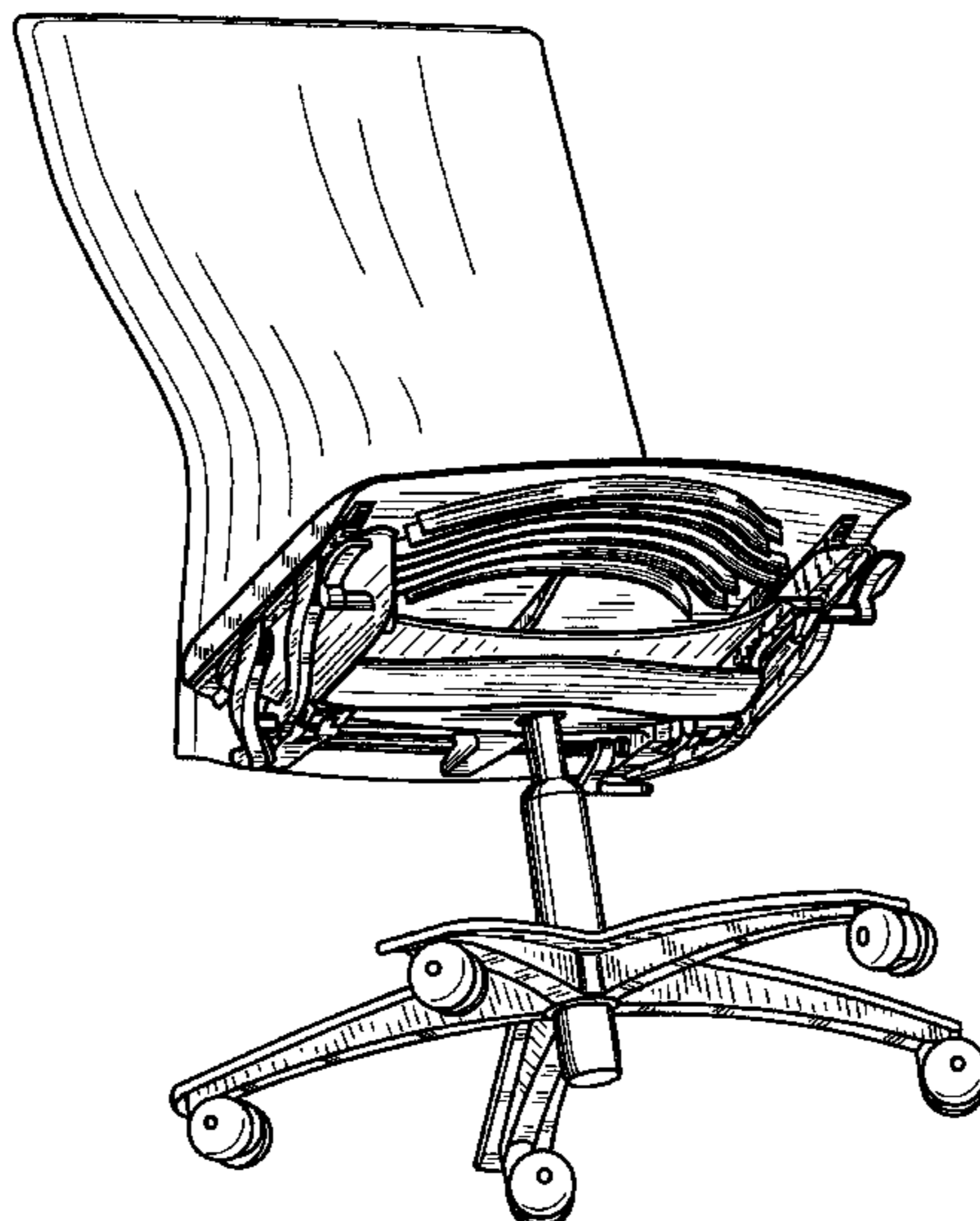
(57) **CLAIM**

The ornamental design for a chair, as shown and described.

DESCRIPTION

FIG. 1 is a front perspective view of an inventive chair; FIG. 2 is an elevational elevated back view of the chair shown in FIG. 1; FIG. 3 is an elevational elevated right side view of the chair shown in FIG. 1; FIG. 4 is an elevational elevated left side view of the chair shown in FIG. 1; FIG. 5 is a top plan view of the chair shown in FIG. 1; and, FIG. 6 is a bottom plan view of the chair shown in FIG. 1.

1 Claim, 6 Drawing Sheets



US D463,144 S

Page 2

U.S. PATENT DOCUMENTS

4,509,793 A	4/1985	Wiesmann et al.		5,725,277 A	3/1998	Knoblock	
4,552,406 A	11/1985	Ohl		5,765,804 A	6/1998	Stumpf et al.	
4,555,136 A	11/1985	Dranger		5,765,914 A	6/1998	Britain et al.	
4,560,199 A	12/1985	Sapper		5,772,282 A	6/1998	Stumpf et al.	
4,585,272 A	4/1986	Ballarini		5,791,736 A	8/1998	Herbert	
4,685,730 A	8/1987	Linguanotto		5,826,940 A	10/1998	Hodgdon	
4,711,491 A	12/1987	Ginat		5,860,701 A	1/1999	Jungjohann et al.	
4,733,910 A	3/1988	Brennan		D405,283 S *	2/1999	James	D6/366
4,765,679 A	8/1988	Lanuzzi et al.		5,868,467 A	2/1999	Moll	
4,776,633 A	10/1988	Knoblock et al.		D407,911 S *	4/1999	Brauning	D6/366
4,848,837 A	7/1989	Völkle		5,909,923 A	6/1999	DeKraker	
4,869,552 A	9/1989	Tolleson et al.		D411,928 S *	7/1999	Ritch et al.	D6/500
4,981,326 A	1/1991	Heidmann		5,964,503 A	10/1999	Inoue	
4,988,145 A	1/1991	Engel		5,971,481 A	10/1999	Emmenegger et al.	
5,009,466 A	4/1991	Perry		5,975,634 A	11/1999	Knoblock et al.	
5,022,709 A	6/1991	Marchino		D418,316 S *	1/2000	Vogtherr	D6/366
5,050,931 A	9/1991	Knoblock		6,010,189 A	1/2000	Hybarger et al.	
5,100,201 A	3/1992	Becker, III et al.		6,035,901 A	3/2000	Stumpf et al.	
5,102,196 A	4/1992	Kaneda et al.		6,039,397 A	3/2000	Ginat	
D327,781 S *	7/1992	Citterio	D6/366	6,056,360 A	5/2000	Schneider	
5,171,209 A	12/1992	Gamba		6,059,368 A	5/2000	Stumpf et al.	
5,251,958 A	10/1993	Roericht et al.		6,120,096 A	9/2000	Miotto	
5,308,145 A	5/1994	Koepke et al.		D436,768 S *	1/2001	Jenkins et al.	D6/500
5,314,237 A	5/1994	Koepke et al.		D437,497 S *	2/2001	Brauning	D6/366
D350,859 S *	9/1994	Ambazz	D6/366	D437,701 S *	2/2001	Bellini et al.	D6/366
D351,070 S *	10/1994	Scheper et al.	D6/366	D446,397 S *	8/2001	Pennington et al.	D6/366
5,354,120 A	10/1994	Völkle					
5,401,077 A	3/1995	Hosoe					
5,486,035 A	1/1996	Koepke et al.					
5,547,252 A	8/1996	Pfenniger					
5,567,011 A	10/1996	Sessini					
5,575,534 A	11/1996	Yu					
5,577,807 A	11/1996	Hodge et al.					
D379,567 S *	6/1997	Grivet	D6/500				
5,660,439 A	8/1997	Unwalla					
5,711,575 A	1/1998	Hand et al.					
D390,712 S *	2/1998	Koepke et al.	D6/366				

FOREIGN PATENT DOCUMENTS

EP	0 960 586 A2	12/1999
EP	1 013 198 A2	6/2000
GB	2 068 717 B	8/1981
GB	2 165 445 A	4/1986
WO	WO 91/03969	4/1991
WO	WO 93/03653	3/1993
WO	WO 94/08491	4/1994
WO	WO 98/08424	3/1998

* cited by examiner

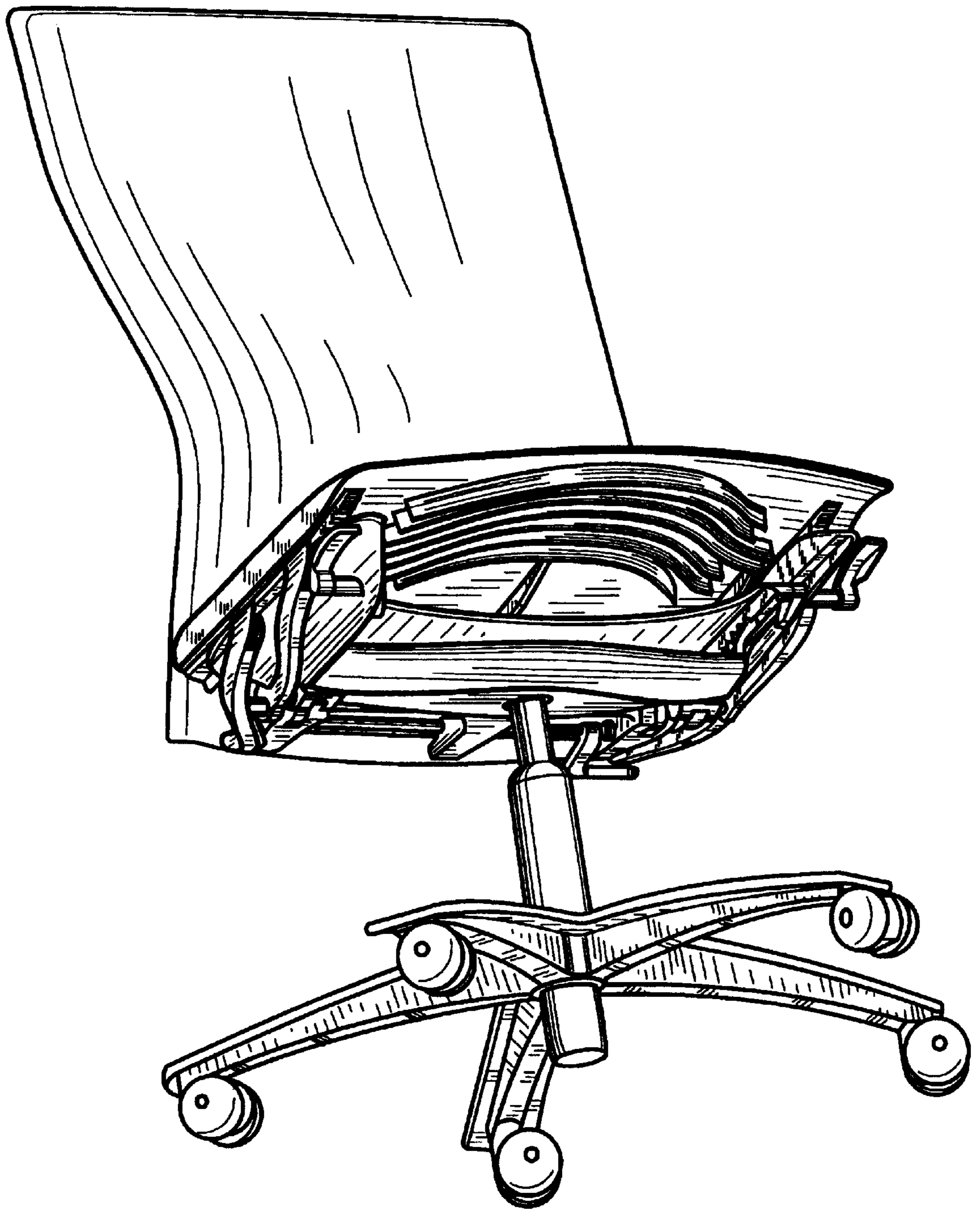


FIG. 1

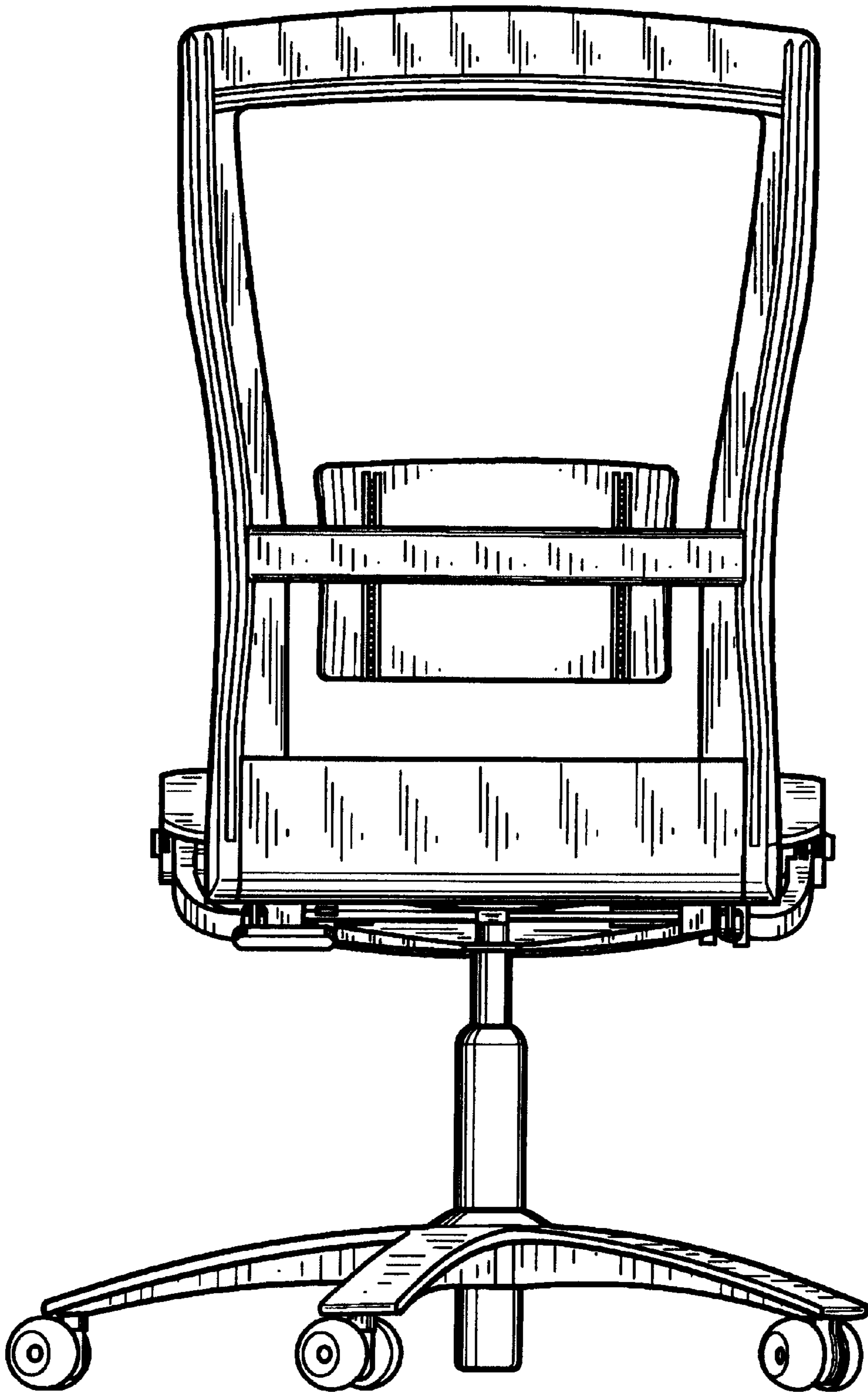


FIG. 2

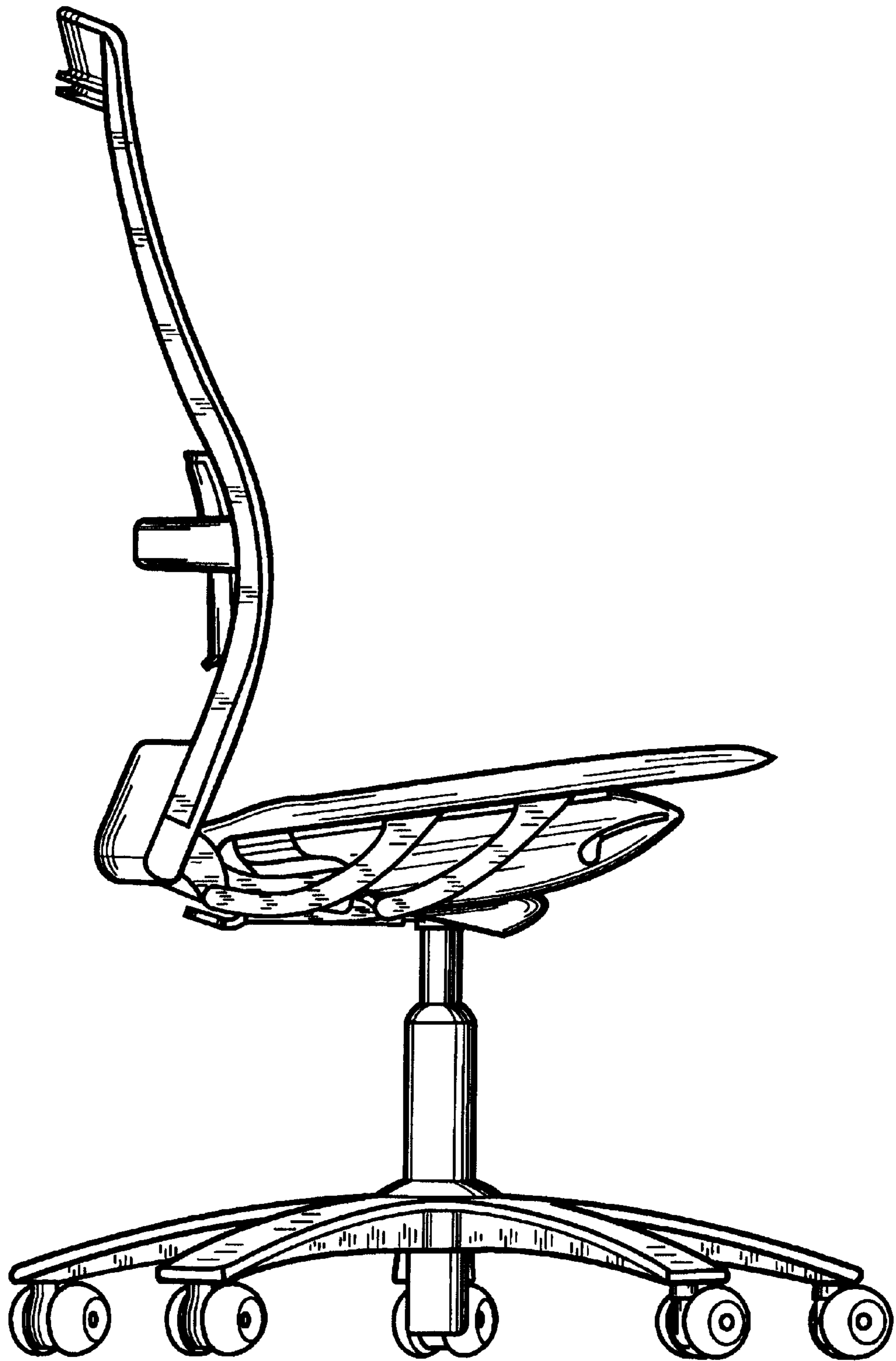


FIG. 3

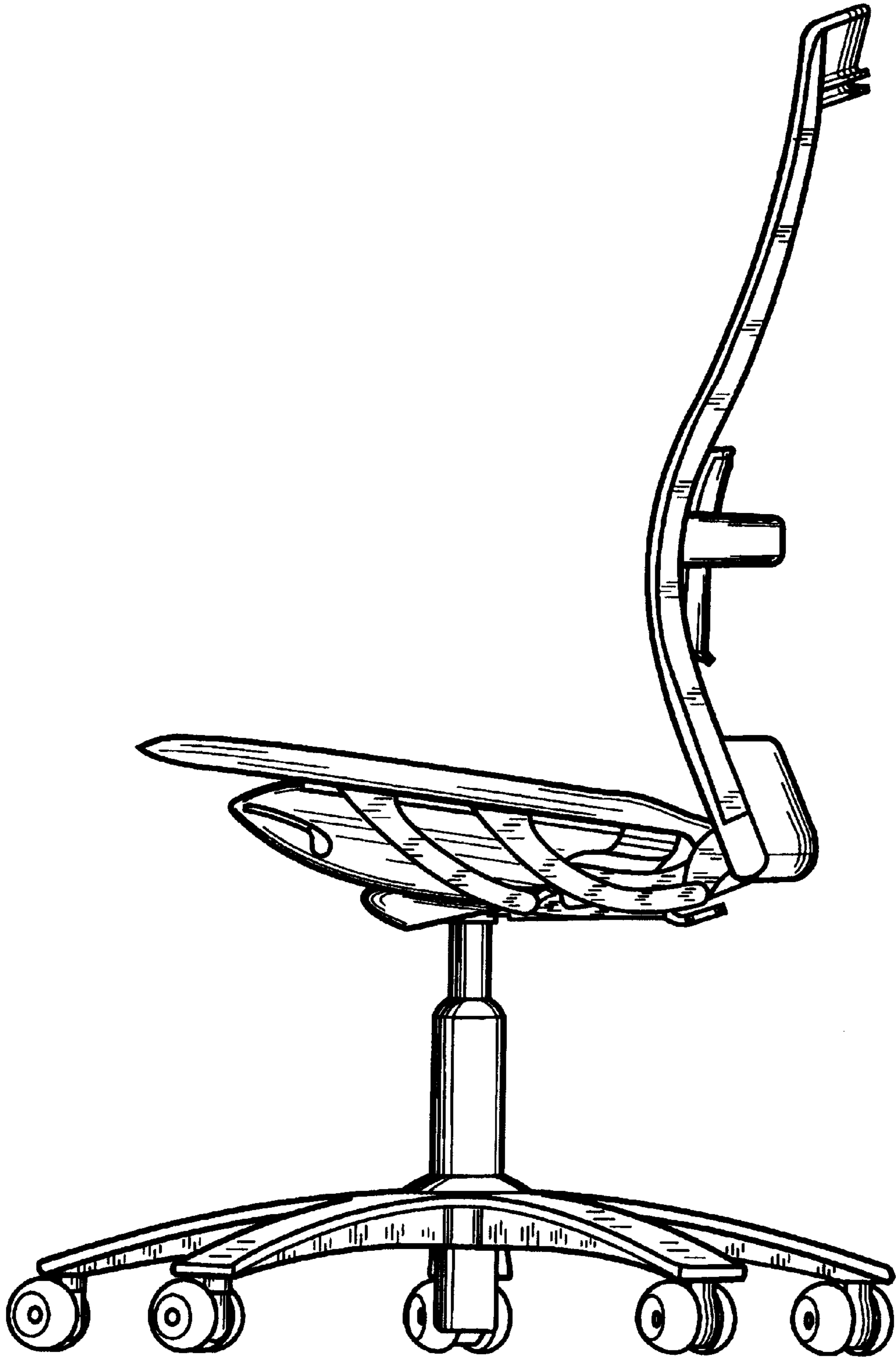


FIG. 4

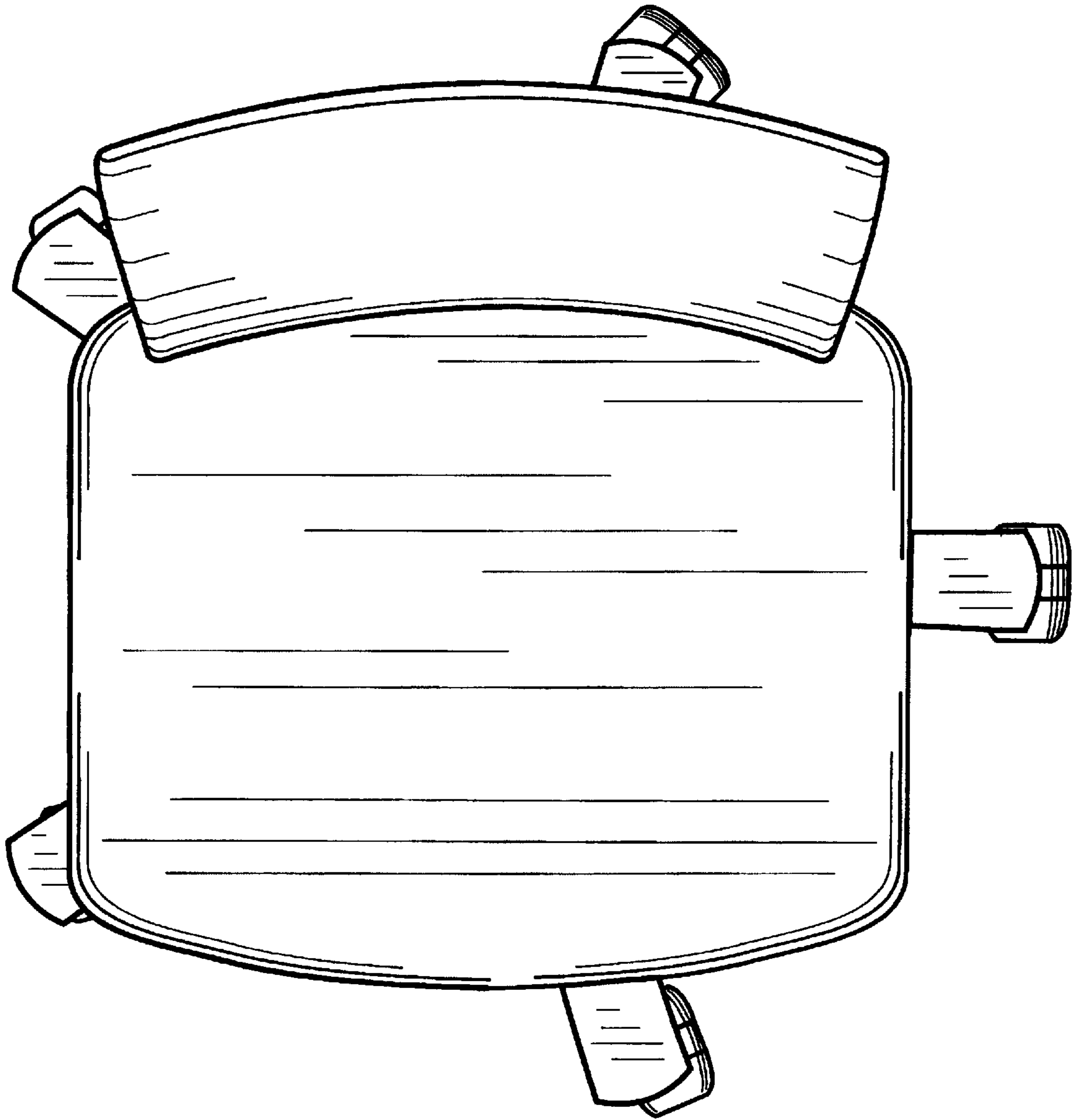


FIG. 5

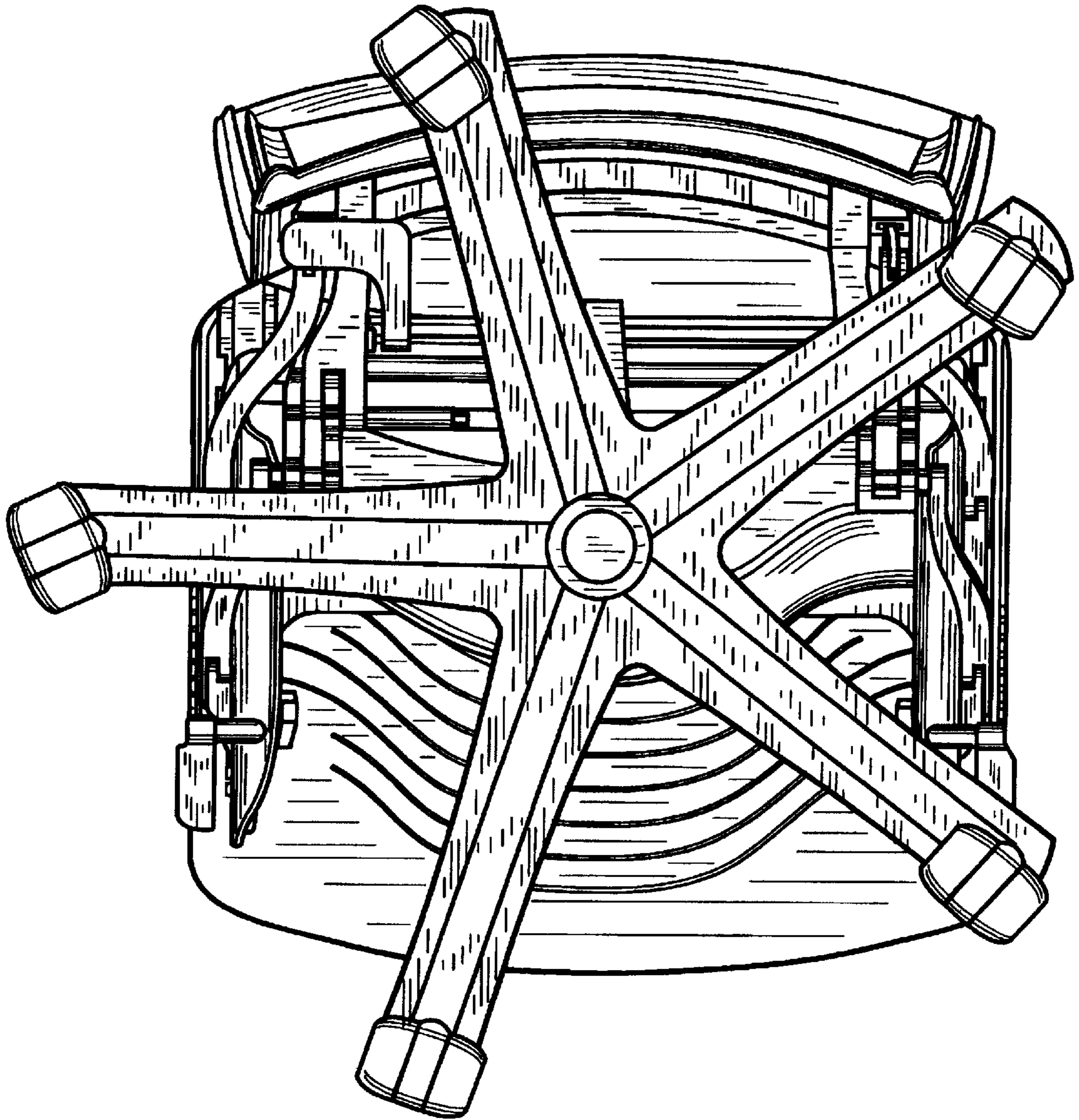


FIG. 6